



US00D596203S

(12) **United States Design Patent**
Schaffert

(10) **Patent No.:** **US D596,203 S**
(45) **Date of Patent:** **** Jul. 14, 2009**

(54) **GAUGE WHEEL ARM**

(76) Inventor: **Paul E. Schaffert**, 71495 Road 397,
Indianola, NE (US) 69034

(**) Term: **14 Years**

(21) Appl. No.: **29/299,275**

(22) Filed: **Dec. 21, 2007**

(51) **LOC (9) Cl.** **15-03**

(52) **U.S. Cl.** **D15/28**

(58) **Field of Classification Search** D15/10,
D15/11, 27, 28, 29; 111/157, 200, 135, 137,
111/164, 52, 140, 134, 167, 163; 172/166,
172/602, 741-744, 748, 452, 536, 736

See application file for complete search history.

(56) **References Cited**

U.S. PATENT DOCUMENTS

2,805,486	A *	9/1957	Barrett	33/610
3,115,192	A *	12/1963	Bushmeyer	172/166
3,599,729	A *	8/1971	Greemore	172/741
3,895,589	A *	7/1975	Garner et al.	111/186
4,294,181	A *	10/1981	Smith	111/157
5,078,528	A *	1/1992	Schmidt	403/4
5,361,848	A *	11/1994	Fleischer et al.	172/140
5,884,711	A *	3/1999	Shoup	172/610
5,904,107	A *	5/1999	Kester	111/135
6,148,747	A *	11/2000	Deckler et al.	111/137
D440,985	S *	4/2001	Noonan et al.	D15/28
6,321,667	B1 *	11/2001	Shoup	111/137
7,360,495	B1 *	4/2008	Martin	111/164
2005/0072344	A1 *	4/2005	Kester	111/135
2005/0155536	A1 *	7/2005	Wendte et al.	111/200
2008/0011208	A1 *	1/2008	Martin	111/167
2008/0066662	A1 *	3/2008	Hesla	111/164

OTHER PUBLICATIONS

Author Unknown, Brochure: The Precision Vacuum Planter, NG Plus Series, A.T.I., Inc. Monosem, Lenexa, Kansas, 3 pages, at least as early as Dec. 21, 2007.

Photo A of a gauge wheel arm, 1 page, at least as early as Dec. 21, 2007.

Photo B of a gauge wheel arm, 1 page, at least as early as Dec. 21, 2007.

Photo C of a gauge wheel arm, 1 page, at least as early as Dec. 21, 2007.

Photo D of a gauge wheel arm, 1 page, at least as early as Dec. 21, 2007.

Photo E of a gauge wheel arm, 1 page, at least as early as Dec. 21, 2007.

Photo F of a gauge wheel arm, 1 page, at least as early as Dec. 21, 2007.

Photo G of a gauge wheel arm, 1 page, at least as early as Dec. 21, 2007.

* cited by examiner

Primary Examiner—Stella M Reid

Assistant Examiner—Mark A Goodwin

(74) *Attorney, Agent, or Firm*—Dorsey & Whitney LLP

(57) **CLAIM**

The ornamental design for a gauge wheel arm, as shown and described.

DESCRIPTION

FIG. 1 is a perspective view of a gauge wheel arm showing my new design in use condition;

FIG. 2 is a top-right perspective view thereof;

FIG. 3 is a top-left perspective view thereof;

FIG. 4 is a top view thereof;

FIG. 5 is a right view thereof;

FIG. 6 is a proximal end view thereof;

FIG. 7 is a bottom view thereof;

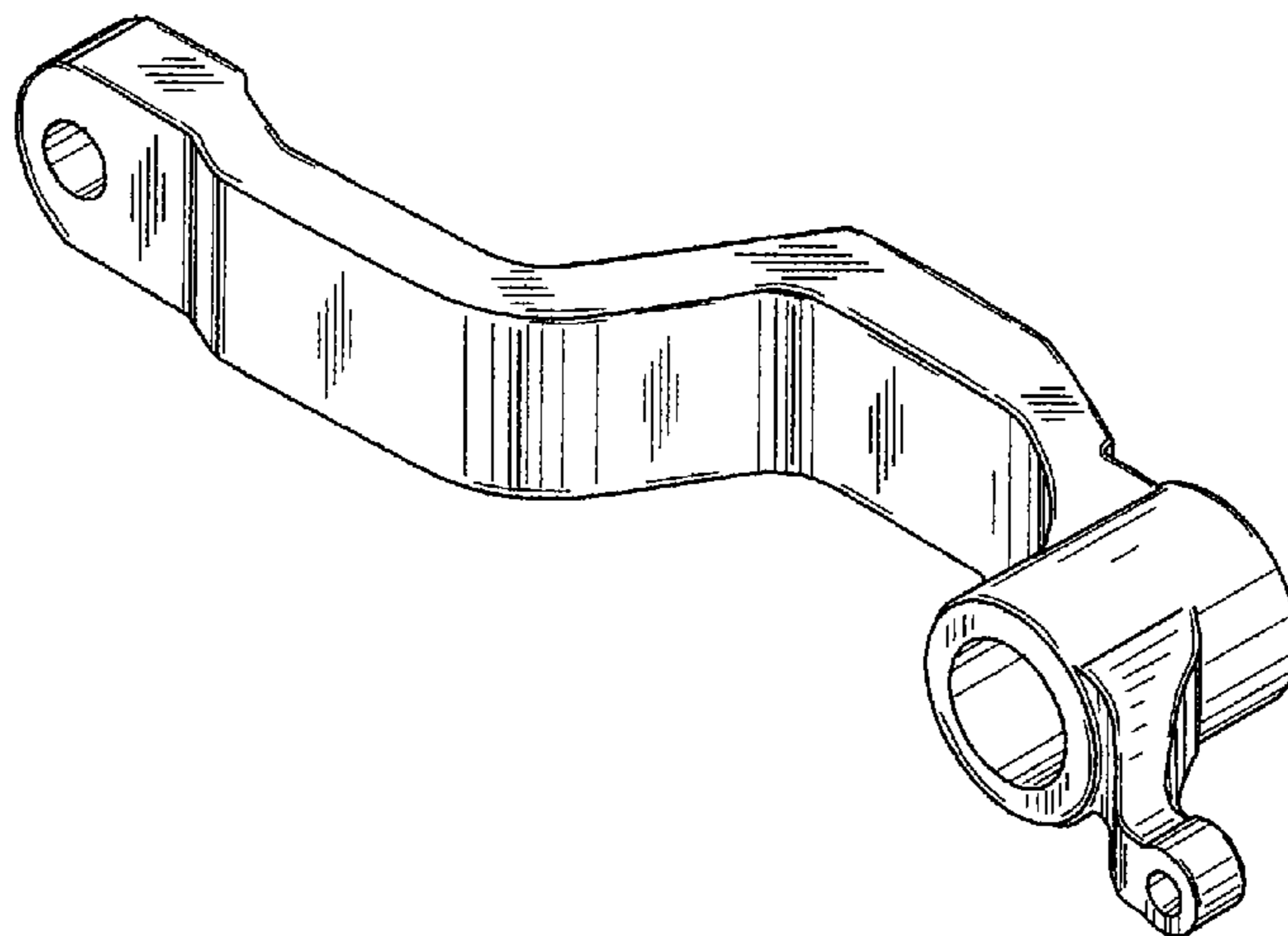
FIG. 8 is a distal end view thereof; and,

FIG. 9 is a left view thereof.

The gauge wheel arm in use is mounted to an axle or a hub of a gauge wheel and has a scraper arm mounted thereto to support a scraper proximate an outer rolling surface of the gauge wheel as illustrated in FIG. 1.

The broken line showing of a gauge wheel and scraper arm is included for the purpose of illustrating environmental structure and forms no part of the claimed design.

1 Claim, 3 Drawing Sheets



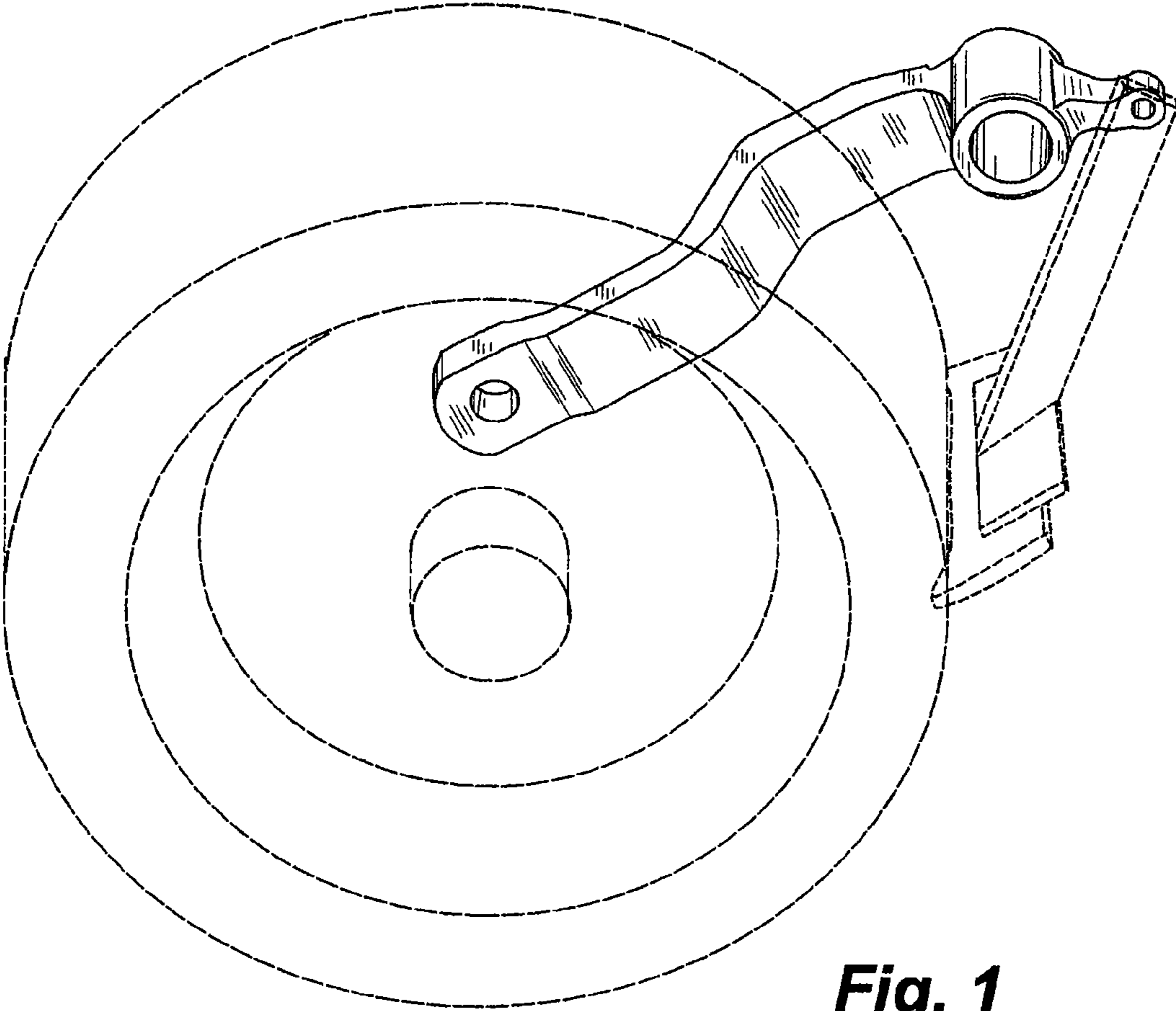


Fig. 1

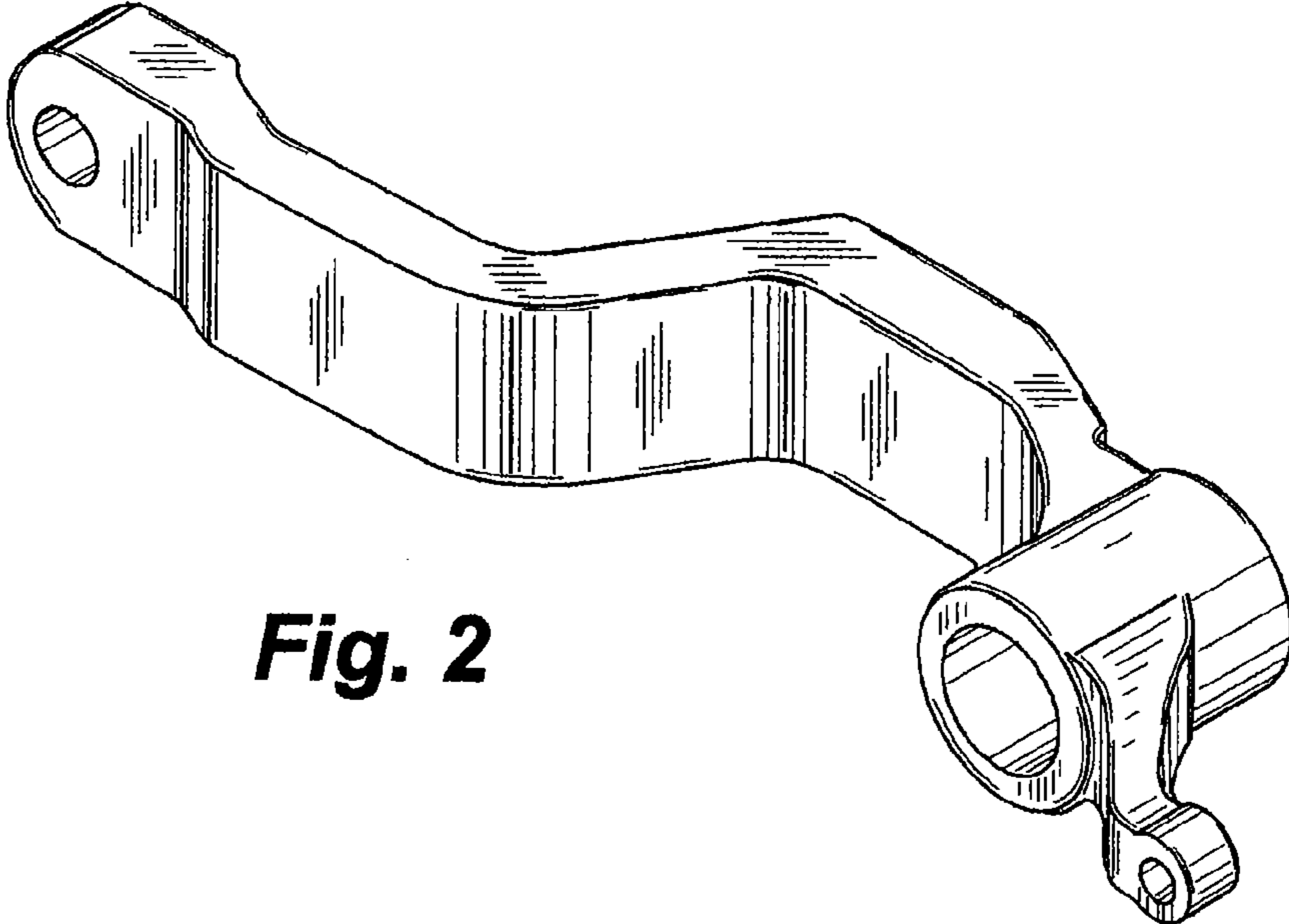


Fig. 2

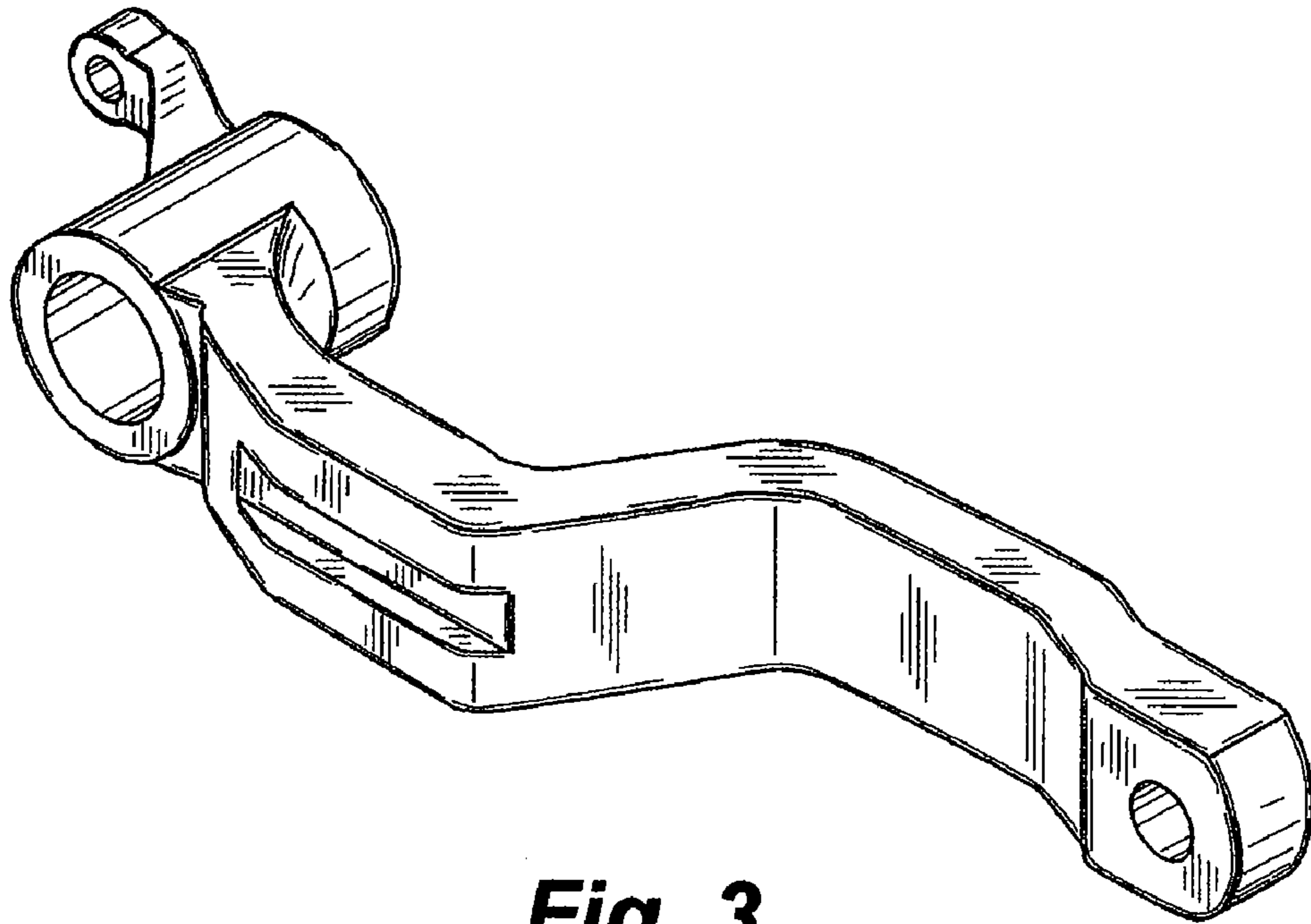


Fig. 3

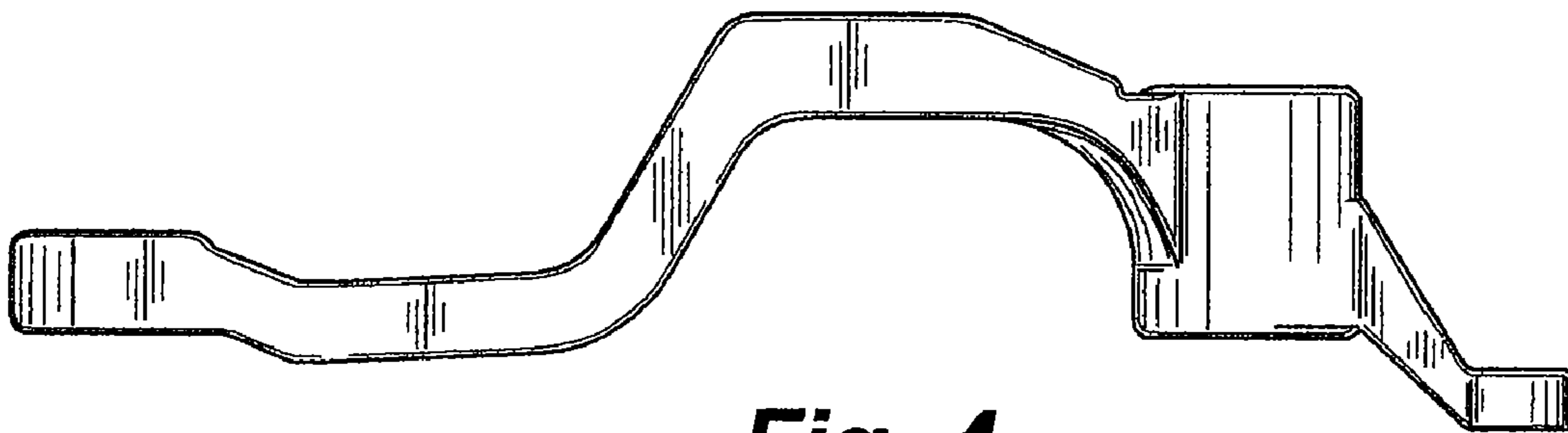


Fig. 4

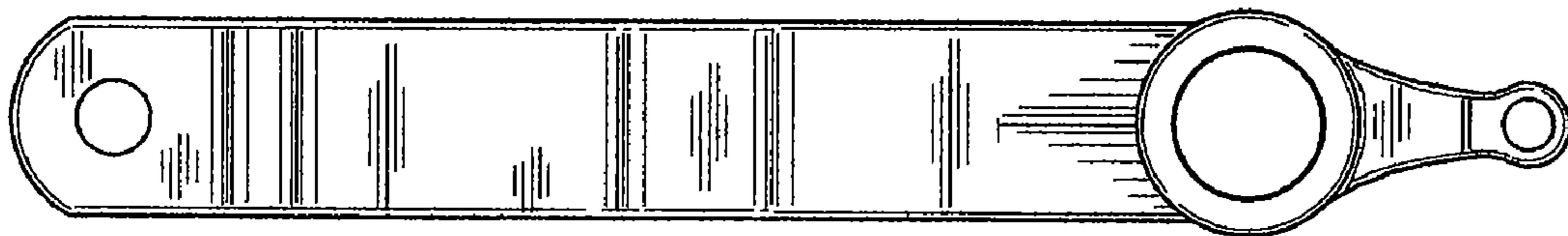


Fig. 5

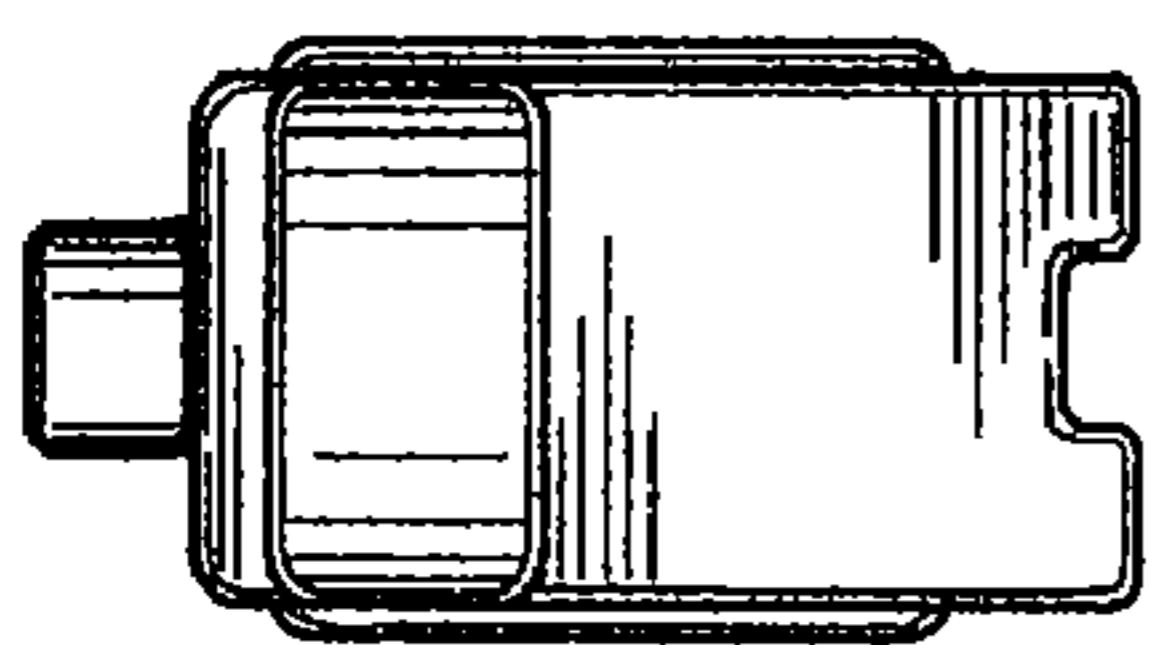


Fig. 6

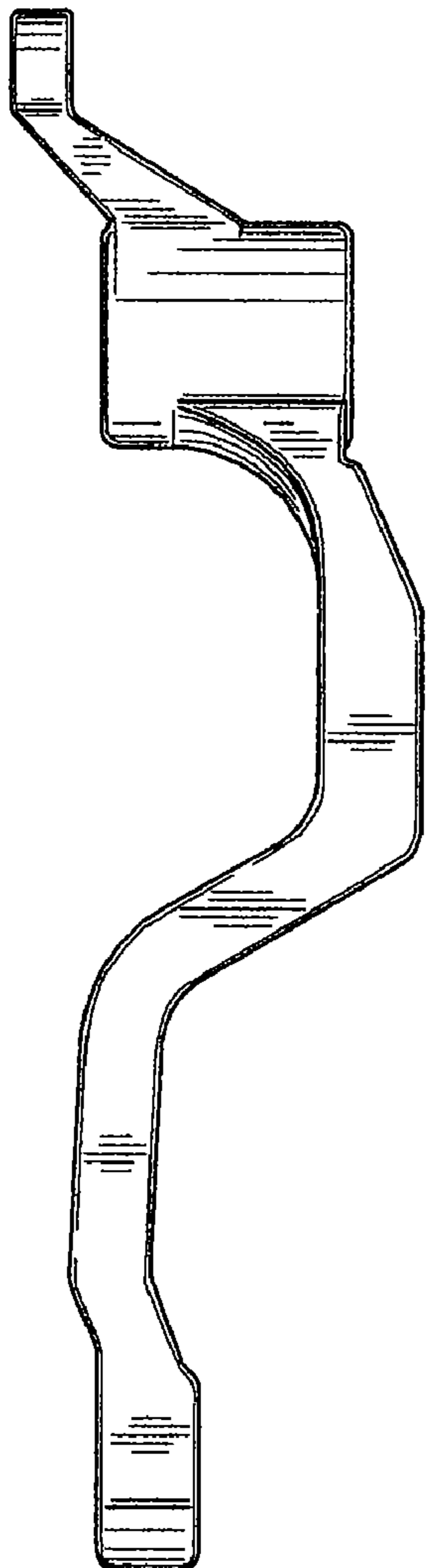


Fig. 7

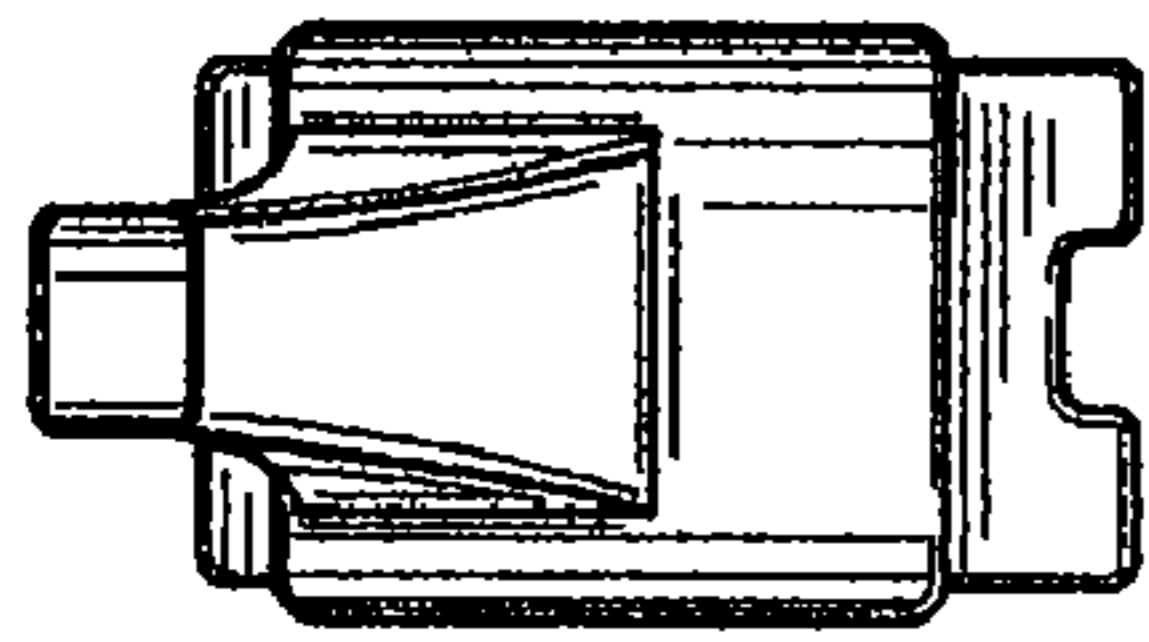


Fig. 8

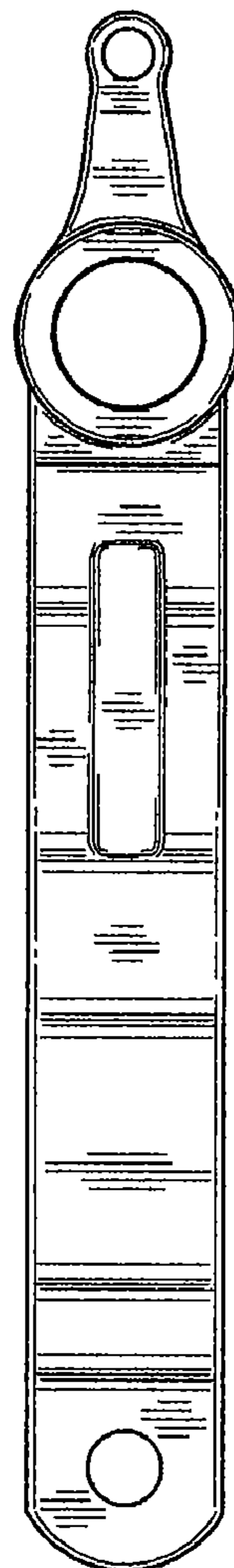


Fig. 9