



US00D596199S

(12) **United States Design Patent**
Drysdale

(10) **Patent No.:** **US D596,199 S**

(45) **Date of Patent:** **** Jul. 14, 2009**

(54) **ENGINE**

(75) Inventor: **Ian William Drysdale**, Springvale (AU)

(73) Assignee: **PTS Motors Limited**, Kwun Tong,
Kowloon, Hong Kong (CN)

(**) Term: **14 Years**

(21) Appl. No.: **29/293,494**

(22) Filed: **Nov. 28, 2007**

(51) **LOC (9) Cl.** **15-01**

(52) **U.S. Cl.** **D15/1**

(58) **Field of Classification Search** D15/1,
D15/3, 5, 14, 17; 123/198 E, 657, 50 A,
123/41.7, 50 B

See application file for complete search history.

(56) **References Cited**

U.S. PATENT DOCUMENTS

D307,148 S *	4/1990	Mikado	D15/1
D309,458 S *	7/1990	Johnson et al.	D15/1
D343,843 S *	2/1994	Mikado	D15/1
D367,070 S *	2/1996	Maeda et al.	D15/1
D396,045 S *	7/1998	Neeley	D15/1
D397,342 S *	8/1998	Shimizu	D15/5
D421,024 S *	2/2000	Katoh	D15/1

D449,051 S *	10/2001	Miyashita	D15/1
D491,192 S *	6/2004	Davis	D15/1
D506,760 S *	6/2005	Lin et al.	D15/1
D515,589 S *	2/2006	Lin et al.	D15/1
D525,990 S *	8/2006	Ono et al.	D15/1
D529,046 S *	9/2006	Maeda et al.	D15/1

* cited by examiner

Primary Examiner—Cathron C. Brooks

Assistant Examiner—Maurice Stevens

(74) *Attorney, Agent, or Firm*—Alix, Yale & Ristas, LLP

(57) **CLAIM**

The ornamental design for an engine, as shown and described.

DESCRIPTION

FIG. 1 is a perspective view of the engine showing my new design;

FIG. 2 is a front view of the engine of FIG. 1;

FIG. 3 is a rear view of the engine of FIG. 1;

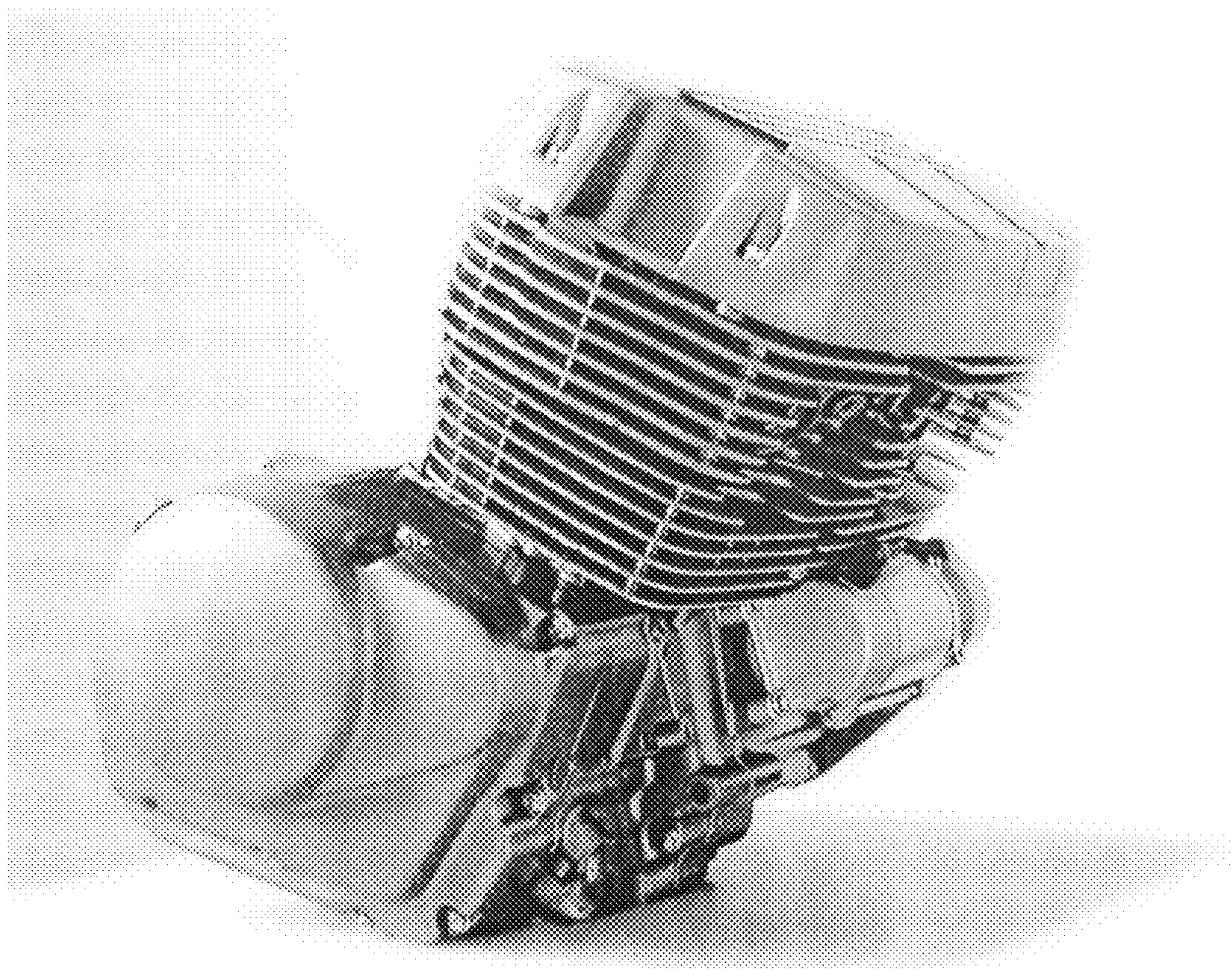
FIG. 4 is a left side view of the engine of FIG. 1;

FIG. 5 is a right side view of the engine of FIG. 1;

FIG. 6 is a top plan view of the engine of FIG. 1; and,

FIG. 7 is a bottom plan view of the engine of FIG. 1.

1 Claim, 7 Drawing Sheets



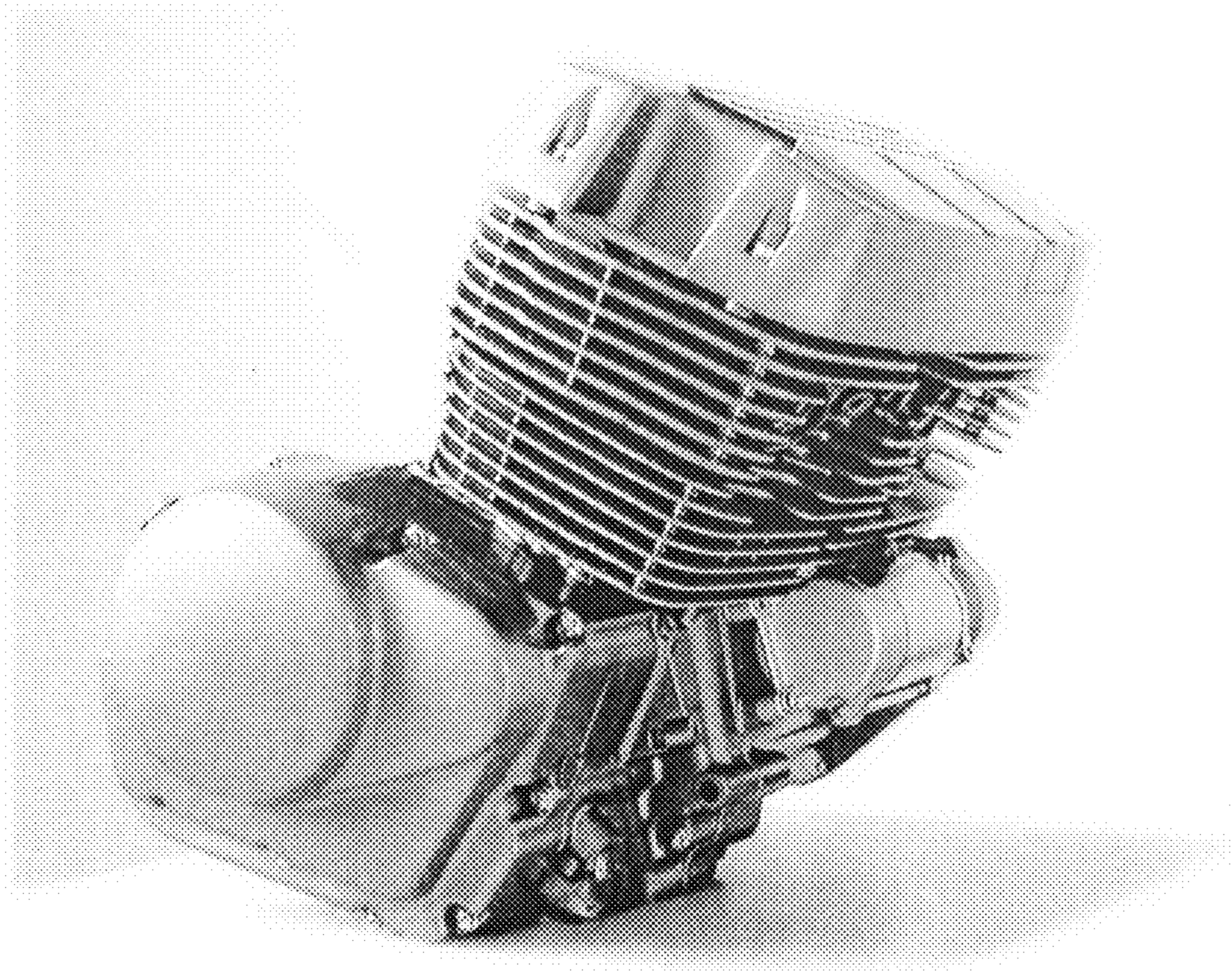


Fig. 1

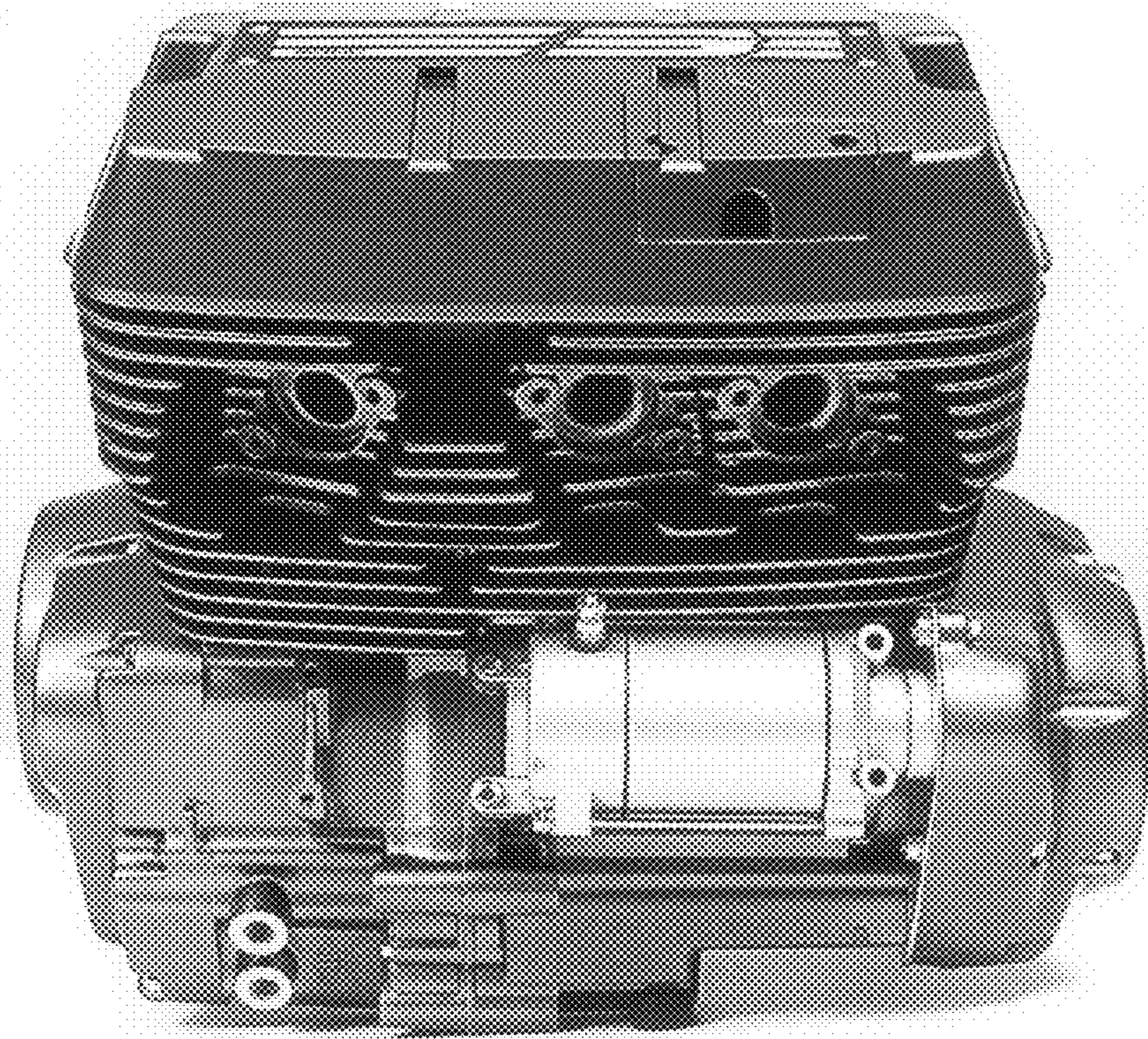


Fig. 2

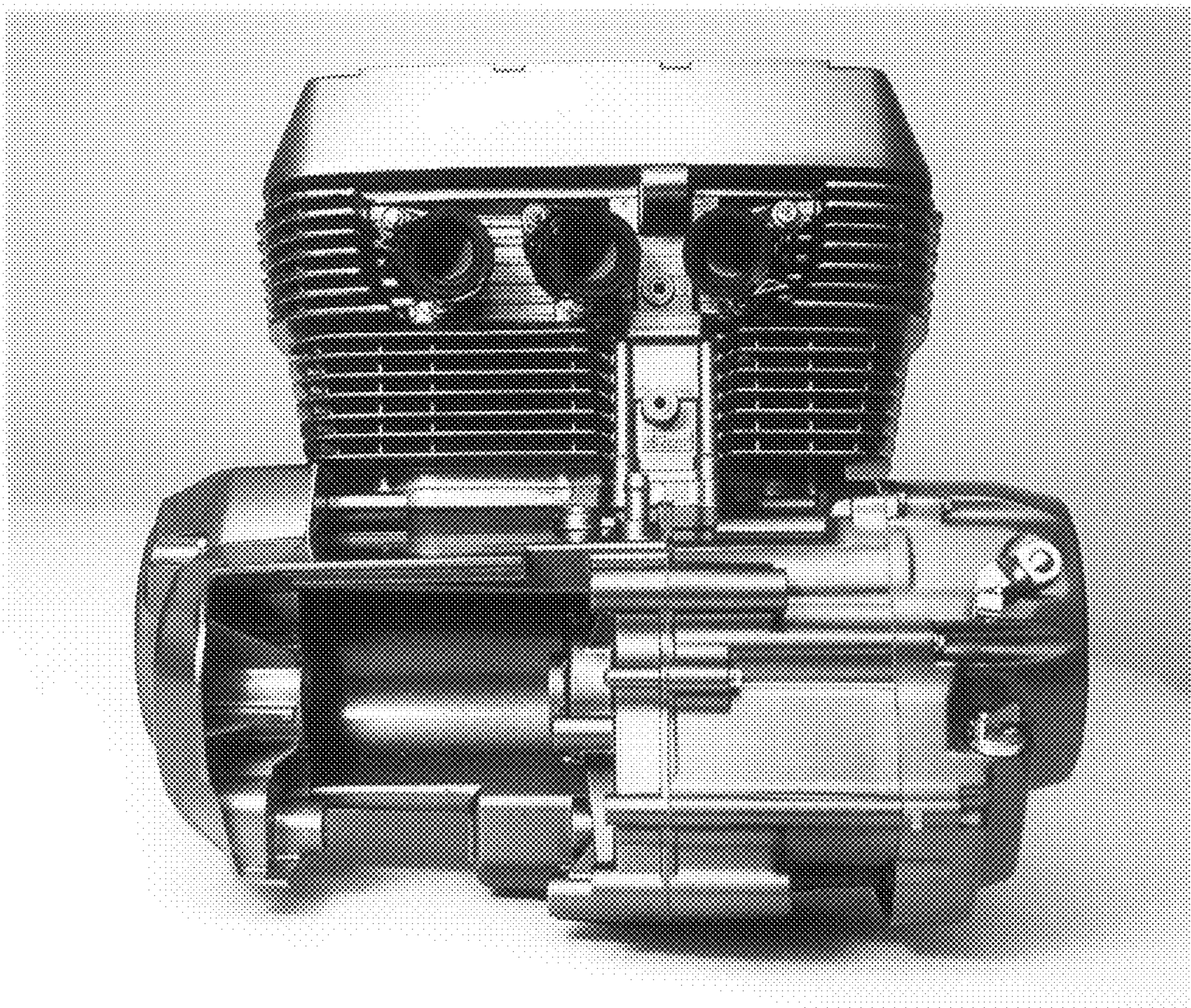


Fig. 3

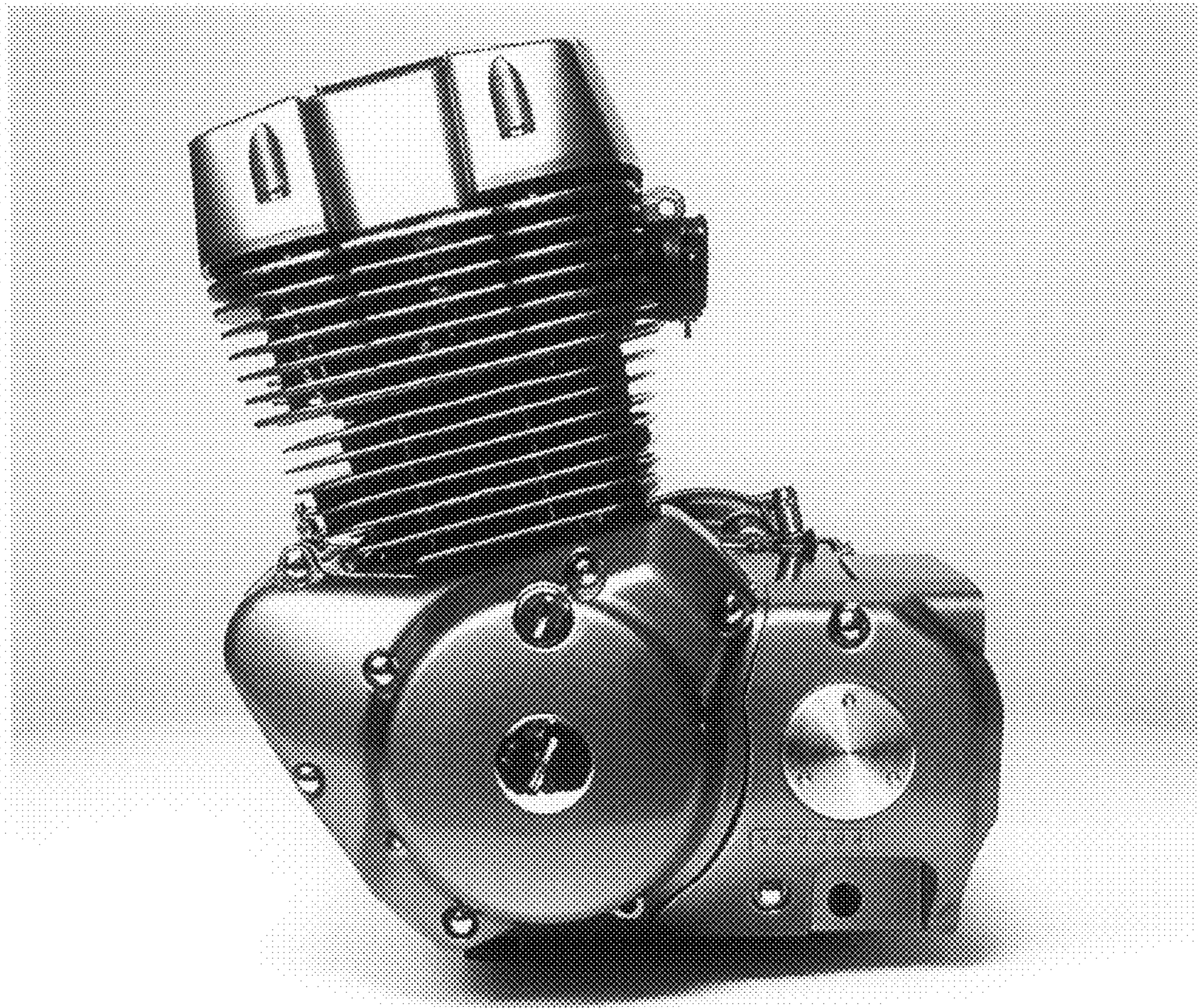


Fig. 4

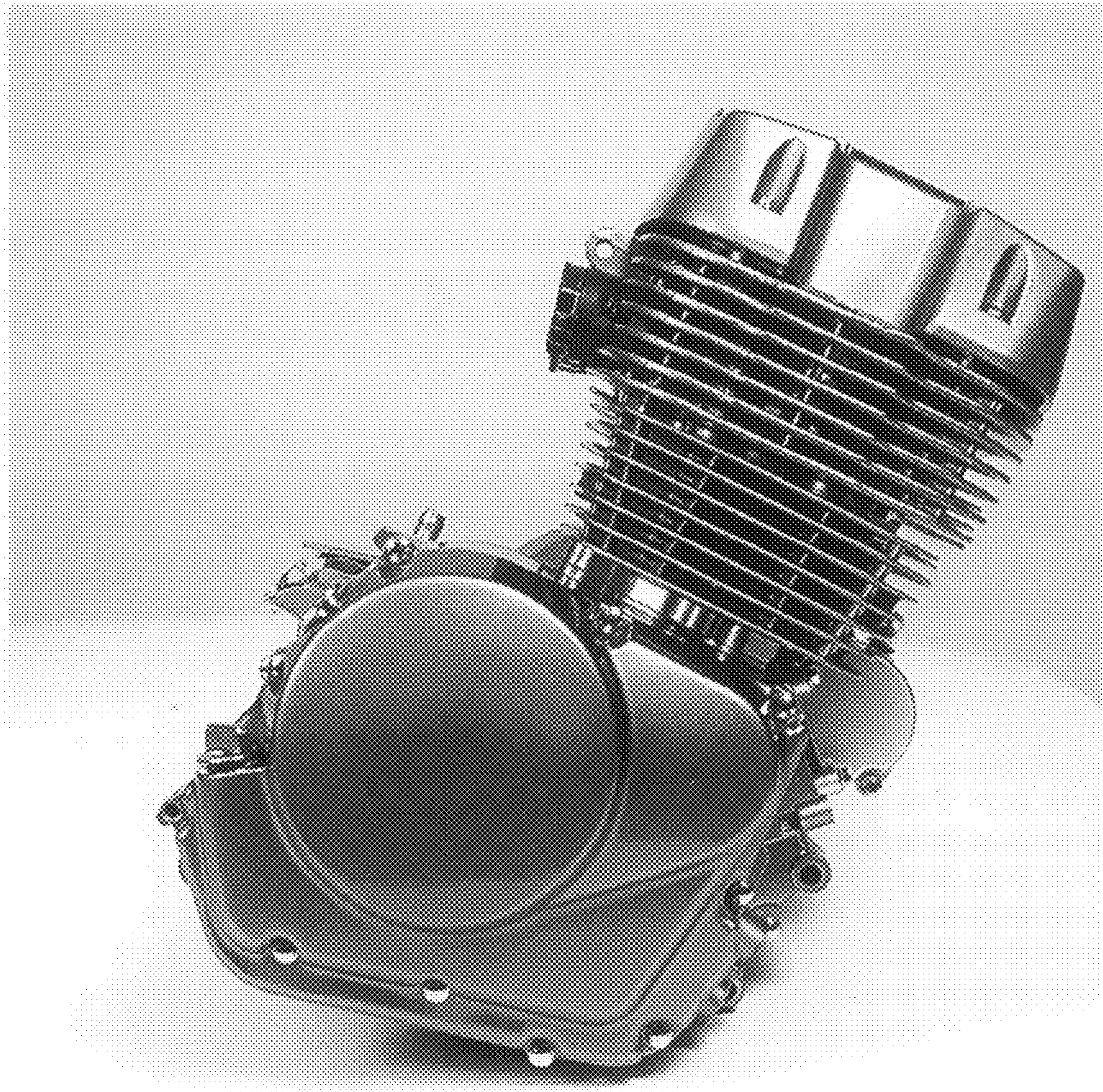


Fig. 5

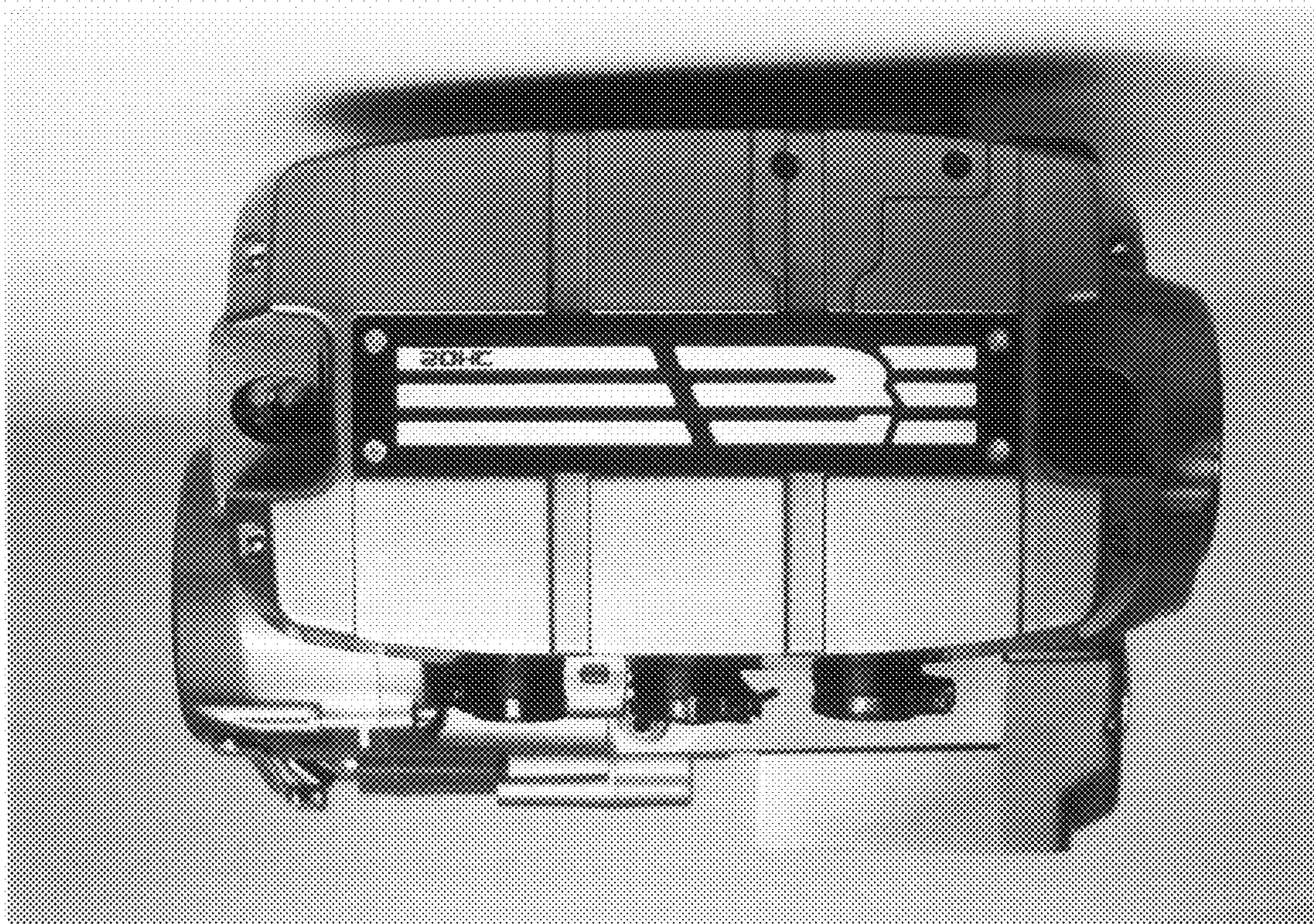


Fig. 6

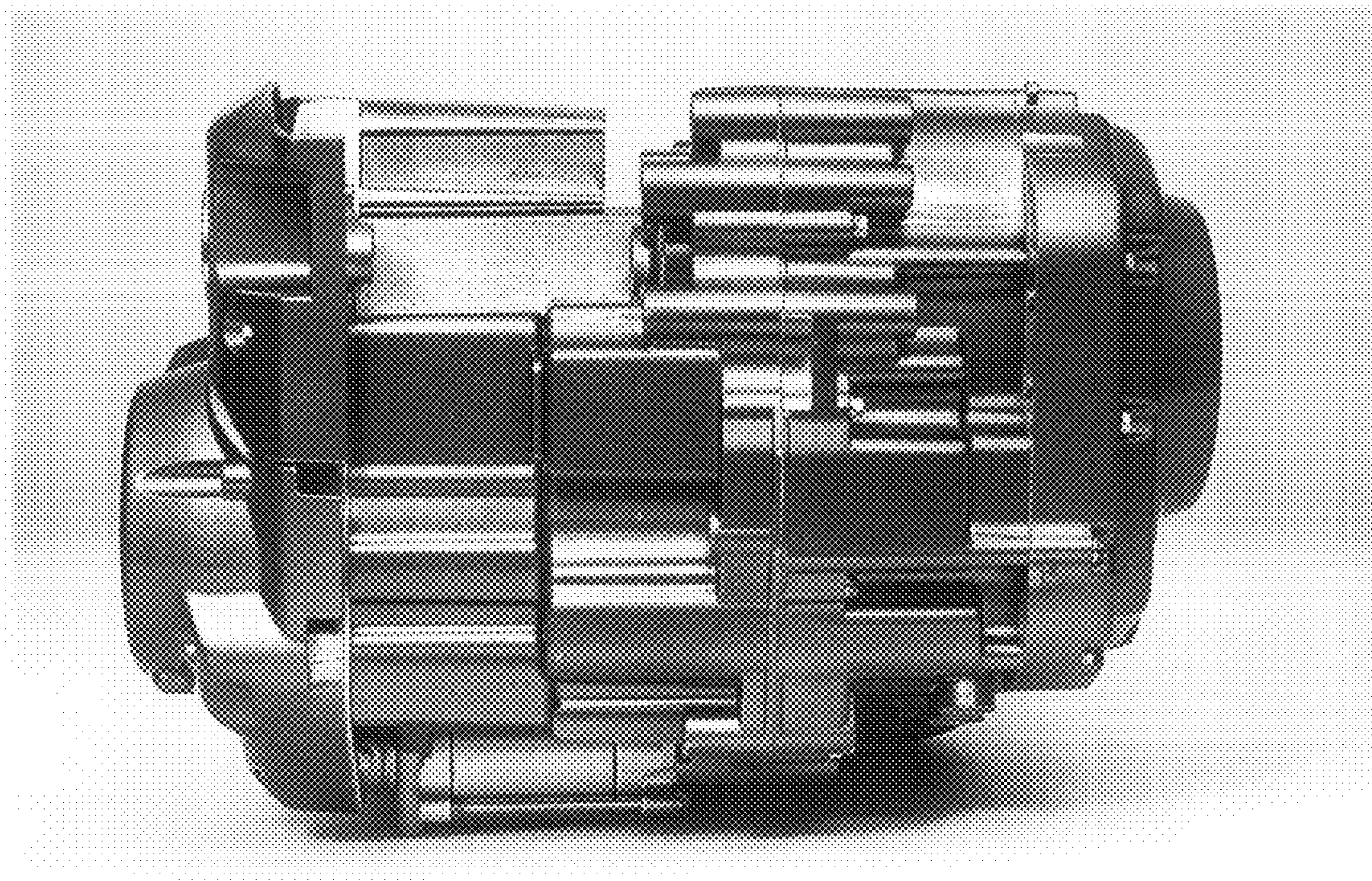


Fig. 7