

US00D596197S

(12) **United States Design Patent**  
**Cho et al.**

(10) **Patent No.:** **US D596,197 S**  
(45) **Date of Patent:** **\*\* Jul. 14, 2009**

(54) **DVD PLAYER**  
(75) Inventors: **Ju-Won Cho**, Seoul (KR); **Chae-Joo Son**, Seoul (KR)  
(73) Assignee: **Samsung Electronics Co., Ltd.**,  
Kyunggi-do (KR)

D521,965 S 5/2006 Ko et al.  
D521,966 S 5/2006 Kim et al.  
D521,967 S 5/2006 Lim  
D522,986 S 6/2006 Kwon et al.  
D522,994 S \* 6/2006 Bhakta ..... D14/507  
D523,832 S 6/2006 Kwon et al.  
D524,286 S \* 7/2006 Sogabe ..... D14/168  
D525,958 S 8/2006 Kwon et al.

(\*\*) Term: **14 Years**

(Continued)

(21) Appl. No.: **29/310,437**

**OTHER PUBLICATIONS**

(22) Filed: **Aug. 15, 2008**

U.S. Appl. No. 29/310,436, Applicant: Chae-Joo Son, et al., filed Aug. 15, 2008 entitled DVD Player.

(51) **LOC (9) Cl.** ..... **14-01**

(52) **U.S. Cl.** ..... **D14/502; D14/509**

(58) **Field of Classification Search** ..... D14/135,  
D14/500-510, 168, 197-198, 188; 360/99.02,  
360/99.07; 369/75.11, 75.21, 77.21, 77.11;  
720/612, 619, 647, 655; 455/344, 347-351  
See application file for complete search history.

(Continued)

*Primary Examiner*—Nanda Bondade  
(74) *Attorney, Agent, or Firm*—Flynn, Thiel, Boutell & Tanis,  
P.C.

(56) **References Cited**

(57) **CLAIM**

The ornamental design for a DVD player, as shown and described.

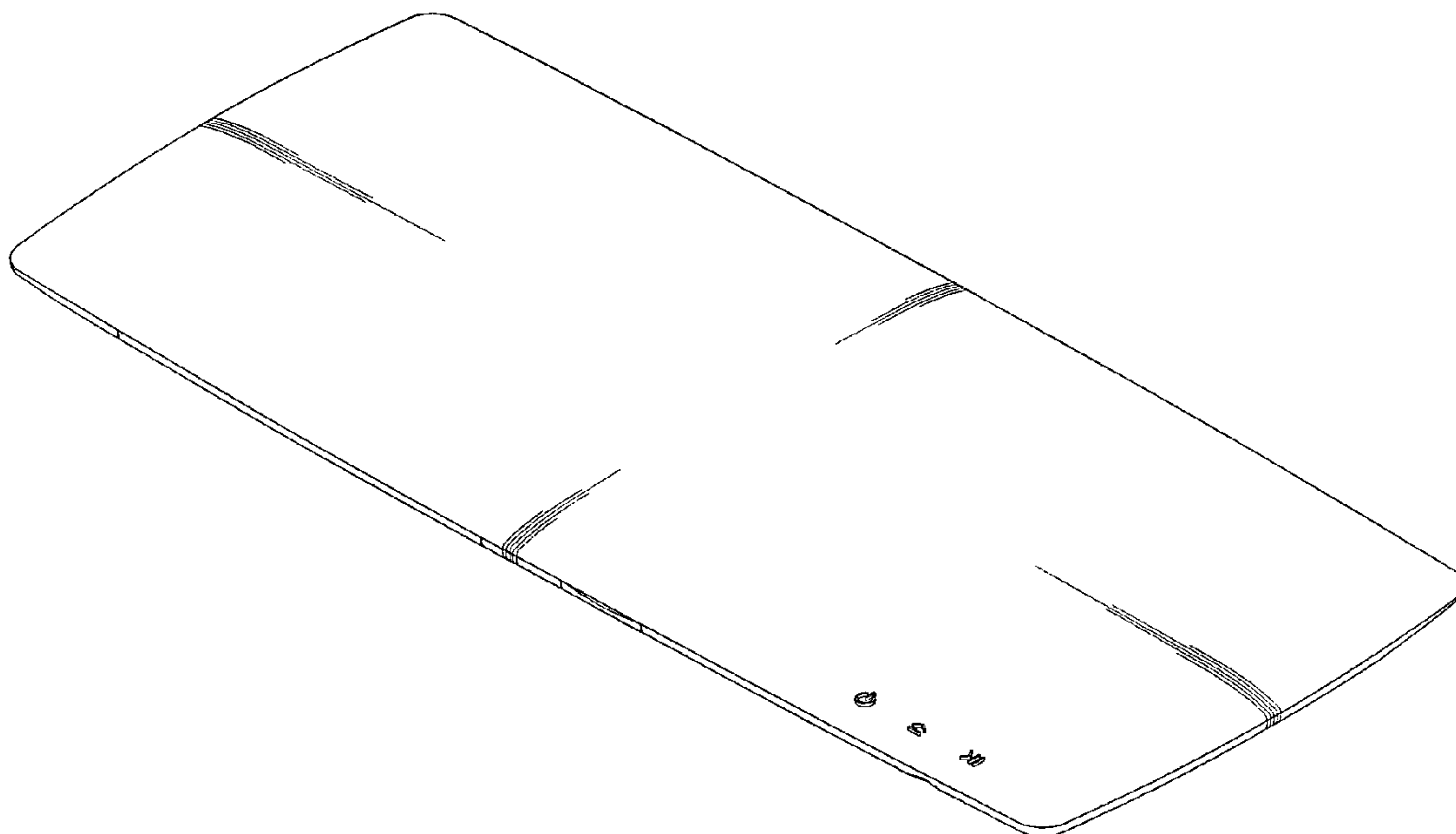
**U.S. PATENT DOCUMENTS**

**DESCRIPTION**

D390,220 S \* 2/1998 Matsuoka ..... D14/502  
D425,507 S \* 5/2000 Horikoshi ..... D14/168  
D511,759 S \* 11/2005 Allen ..... D14/500  
D519,960 S 5/2006 Kwon et al.  
D519,962 S 5/2006 Kim et al.  
D519,963 S 5/2006 Lim et al.  
D520,478 S 5/2006 Kwon et al.  
D520,479 S 5/2006 Kwon et al.  
D520,480 S 5/2006 Kwon et al.  
D520,481 S 5/2006 Lim et al.  
D520,973 S 5/2006 Kwon et al.  
D520,974 S 5/2006 Lim  
D520,975 S 5/2006 Kim et al.

FIG. 1 is a top front perspective view of a DVD player showing our new design;  
FIG. 2 is a front elevational view thereof;  
FIG. 3 is a rear elevational view thereof;  
FIG. 4 is a left side elevational view thereof;  
FIG. 5 is a right side elevational view thereof;  
FIG. 6 is a top plan view thereof; and,  
FIG. 7 is a bottom plan view thereof.

**1 Claim, 4 Drawing Sheets**



# US D596,197 S

Page 2

## U.S. PATENT DOCUMENTS

D526,294 S	8/2006	Kwon et al.	
D526,979 S	8/2006	Lim	
D526,980 S	8/2006	Kwon et al.	
D526,981 S	8/2006	Kim et al.	
D528,525 S	9/2006	Cho et al.	
D529,464 S	10/2006	Lim et al.	
D529,885 S	10/2006	Park et al.	
D530,692 S	10/2006	Lim et al.	
D530,693 S	10/2006	Park et al.	
D530,694 S	10/2006	Park	
D530,695 S	10/2006	Park	
D531,153 S	10/2006	Lim et al.	
D533,159 S	12/2006	Kim et al.	
D536,682 S	2/2007	Lim et al.	
D536,683 S	2/2007	Lim et al.	
D537,425 S	2/2007	Park	
D538,768 S	3/2007	Lim et al.	
D539,250 S	3/2007	Park	
D539,261 S *	3/2007	Hyodo .....	D14/507
D539,770 S	4/2007	Park	
D539,771 S	4/2007	Park	

D540,286 S	4/2007	Lim
D551,198 S	9/2007	Kim
D552,053 S	10/2007	Kim
D553,109 S	10/2007	Kim et al.
D560,179 S	1/2008	Cho et al.
D560,180 S	1/2008	Park et al.
D560,181 S	1/2008	Park
D560,182 S	1/2008	Park
D560,627 S	1/2008	Park et al.
D561,141 S	2/2008	Cho et al.
D567,203 S	4/2008	Park
D567,204 S	4/2008	Park

## OTHER PUBLICATIONS

U.S. Appl. No. 29/307,942, Applicant: Jae-Hyung Kim, et al., filed May 20, 2008 entitled DVD Receiver.  
U.S. Appl. No. 29/307,949, Applicant: Jae-Hyung Kim, et al., filed May 20, 2008 entitled DVD Receiver.  
U.S. Appl. No. 29/293,229, Applicant: Chae-Joo Son, et al., filed Nov. 9, 2007 entitled DVD Player.

\* cited by examiner

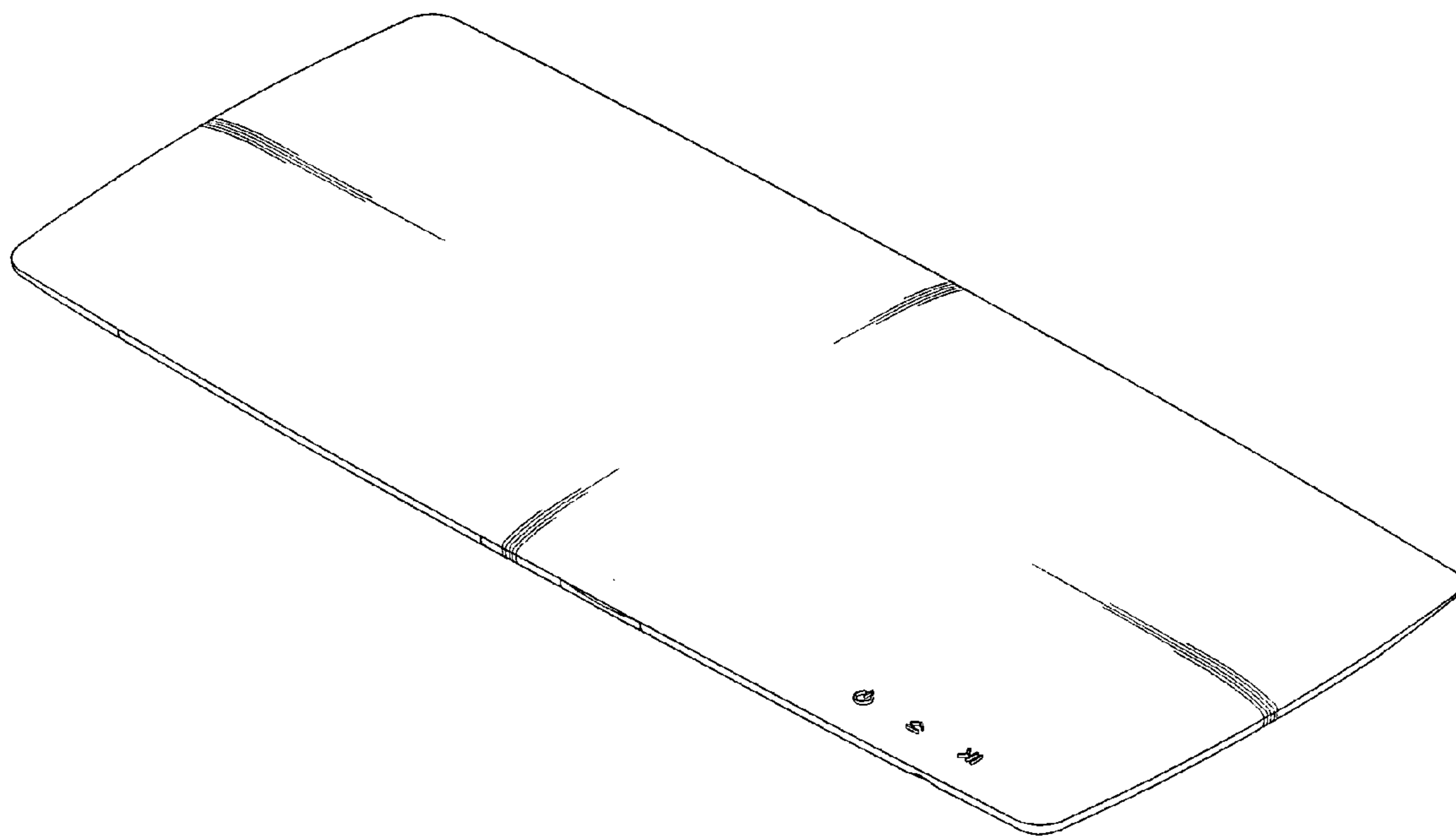


FIG.1

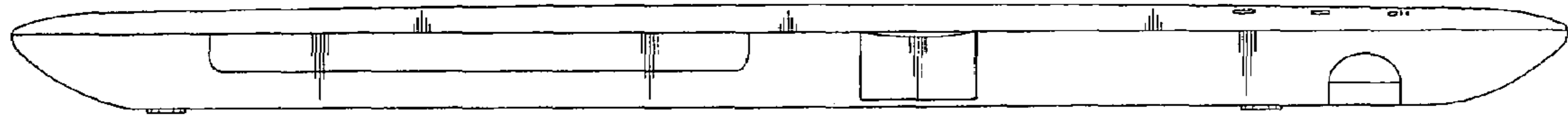


FIG. 2

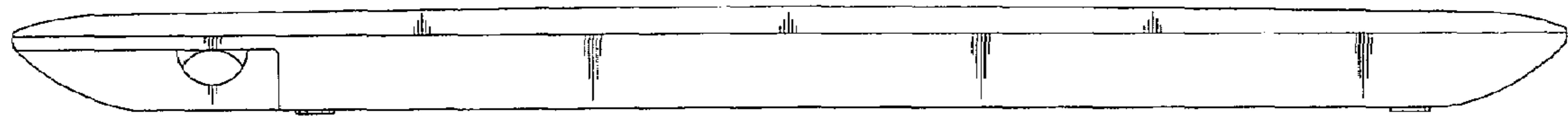


FIG. 3



FIG. 4

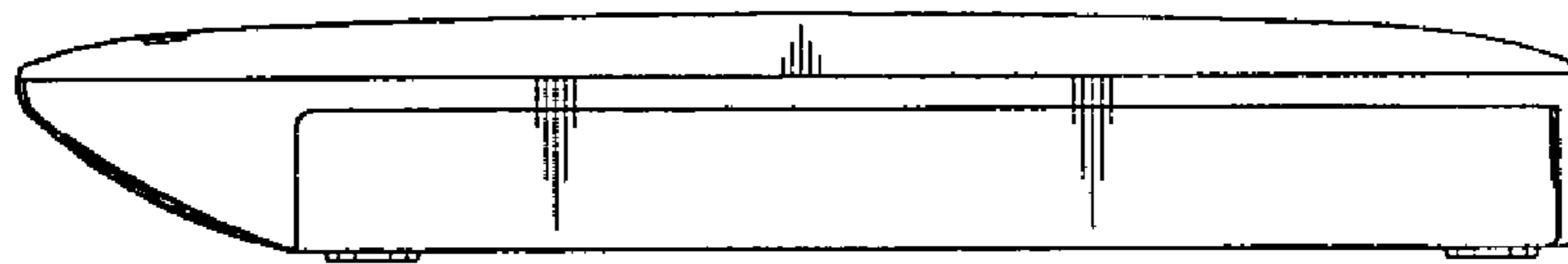


FIG. 5

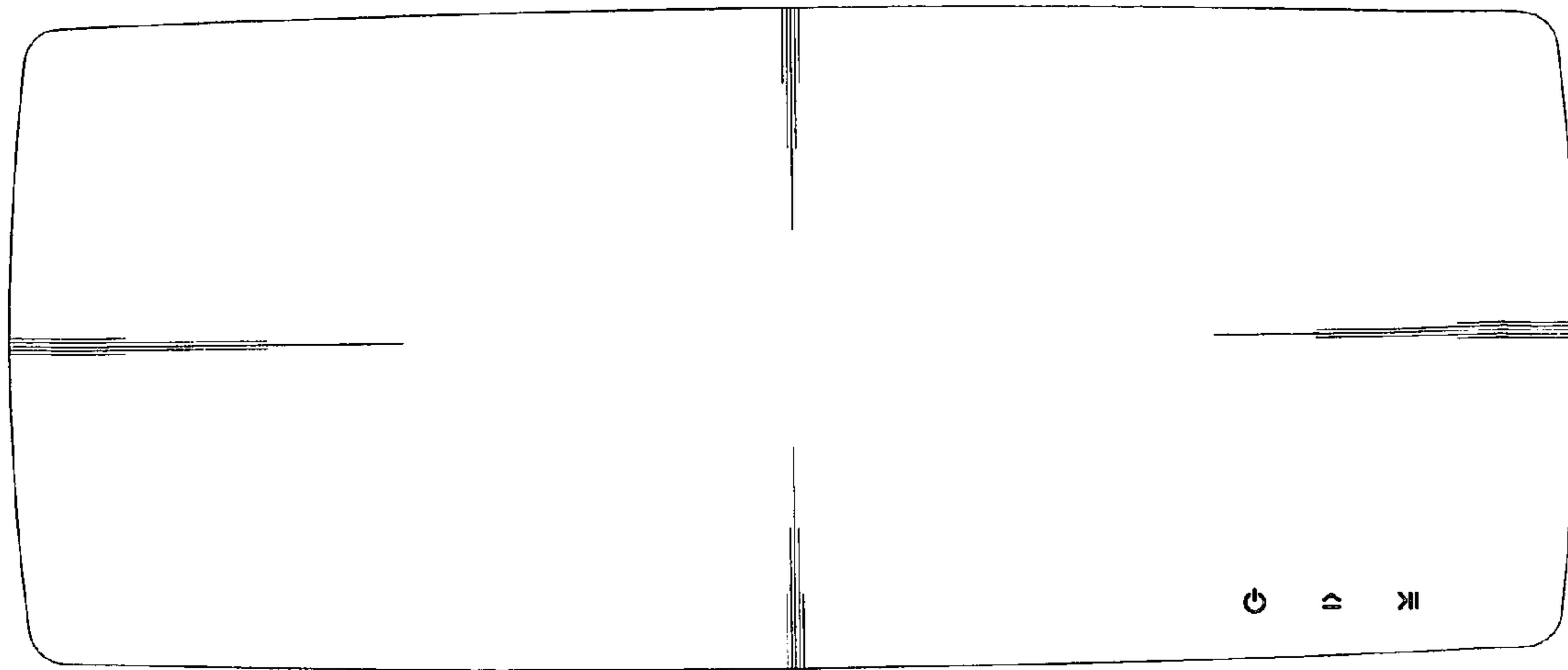


FIG. 6

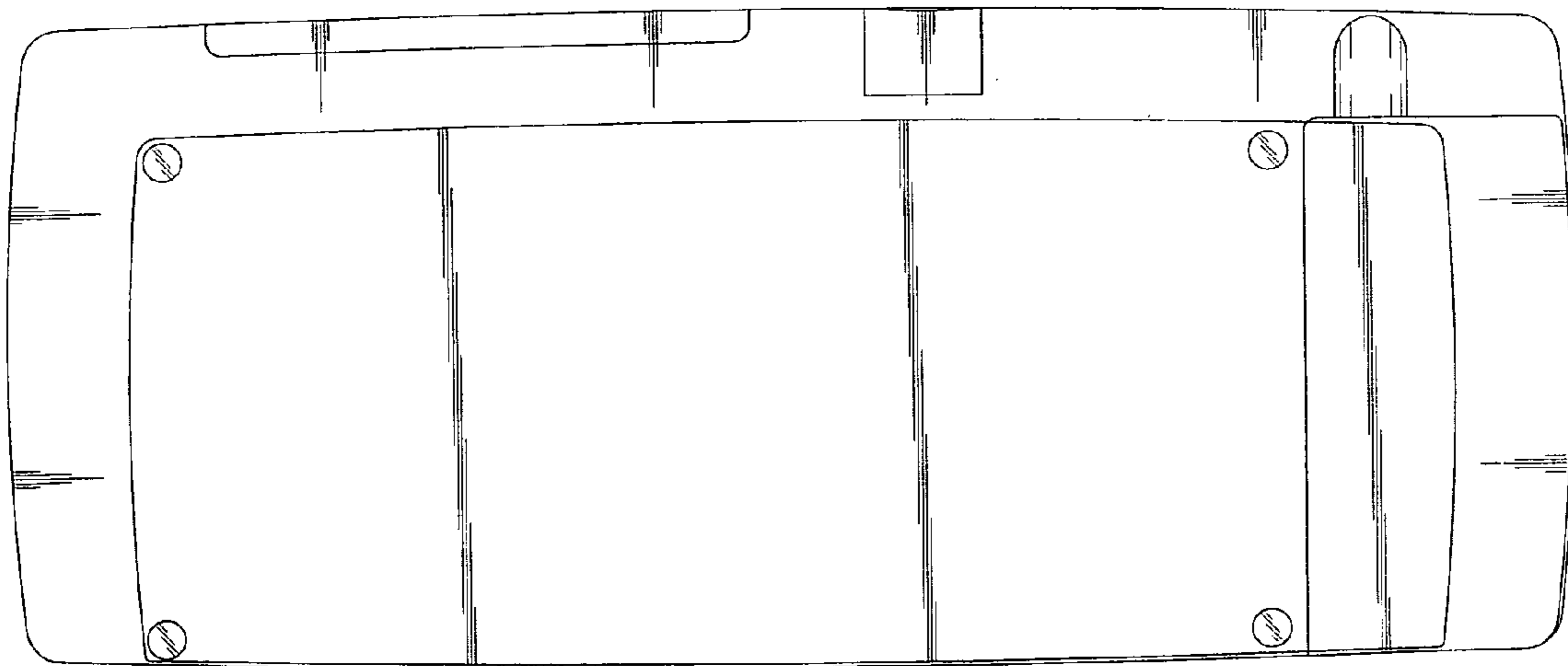


FIG. 7