



US00D596196S

(12) **United States Design Patent**
Laituri et al.

(10) **Patent No.:** **US D596,196 S**
(45) **Date of Patent:** **** Jul. 14, 2009**

(54) **MP3 SOUND SYSTEM**

(76) Inventors: **David William Laituri**, 37 Alden Rd.,
Wayland, MA (US) 01778; **Timothy L. Trzepacz**, 17 Margret Cir., Mount
Vernon, NH (US) 03057

(**) Term: **14 Years**

(21) Appl. No.: **29/296,478**

(22) Filed: **Oct. 22, 2007**

(51) **LOC (9) Cl.** **14-03**

(52) **U.S. Cl.** **D14/496; D14/168**

(58) **Field of Classification Search** D14/496,
D14/401, 435, 474, 483, 217, 137, 138, 160,
D14/168; 345/156, 169, 173-179, 905; 715/727-729,
715/864; 710/1, 5, 8; 713/1, 600; 455/11,
455/1.7, 73, 344-347, 93, 95; 370/342-344;
369/1, 2, 6, 12; 463/43-47; 273/148 B
See application file for complete search history.

(56) **References Cited**

U.S. PATENT DOCUMENTS

5,349,575 A * 9/1994 Park 369/1
D510,584 S * 10/2005 Tierney D14/496

D527,722 S * 9/2006 Yeh D14/215
D545,810 S * 7/2007 Hussaini et al. D14/168
D551,679 S * 9/2007 Hayes D14/496
D553,155 S * 10/2007 Kim D14/496
D560,684 S * 1/2008 Skurdal D14/496

* cited by examiner

Primary Examiner—Prabhakar Deshmukh

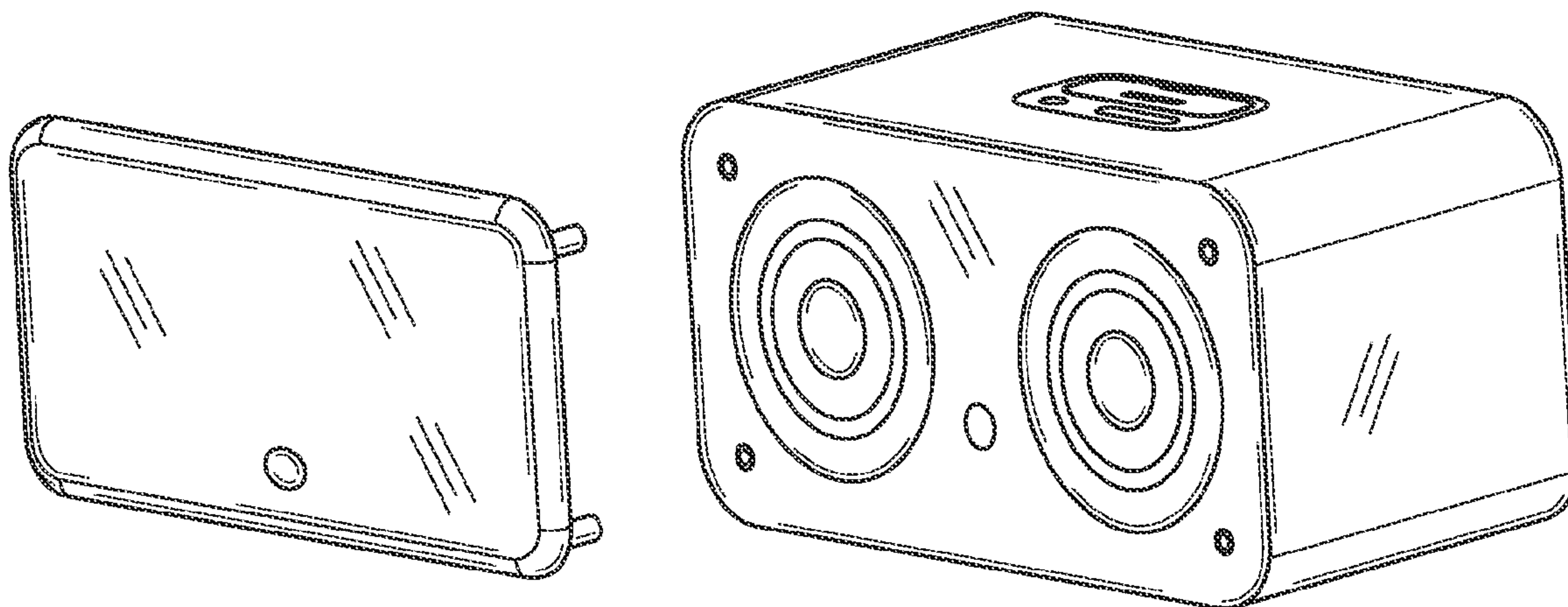
(57) **CLAIM**

The ornamental design for an MP3 sound system, as shown and described.

DESCRIPTION

FIG. 1 is an exploded perspective view of an MP3 sound system, showing my new design;
FIG. 2 is a front elevational view of the invention;
FIG. 3 is a rear elevational view of the invention;
FIG. 4 is a right-side elevational view of the invention, the left-side elevational view being a mirror image thereof;
FIG. 5 is a top plan view of the invention; and,
FIG. 6 is a bottom plan view of the invention.

1 Claim, 2 Drawing Sheets



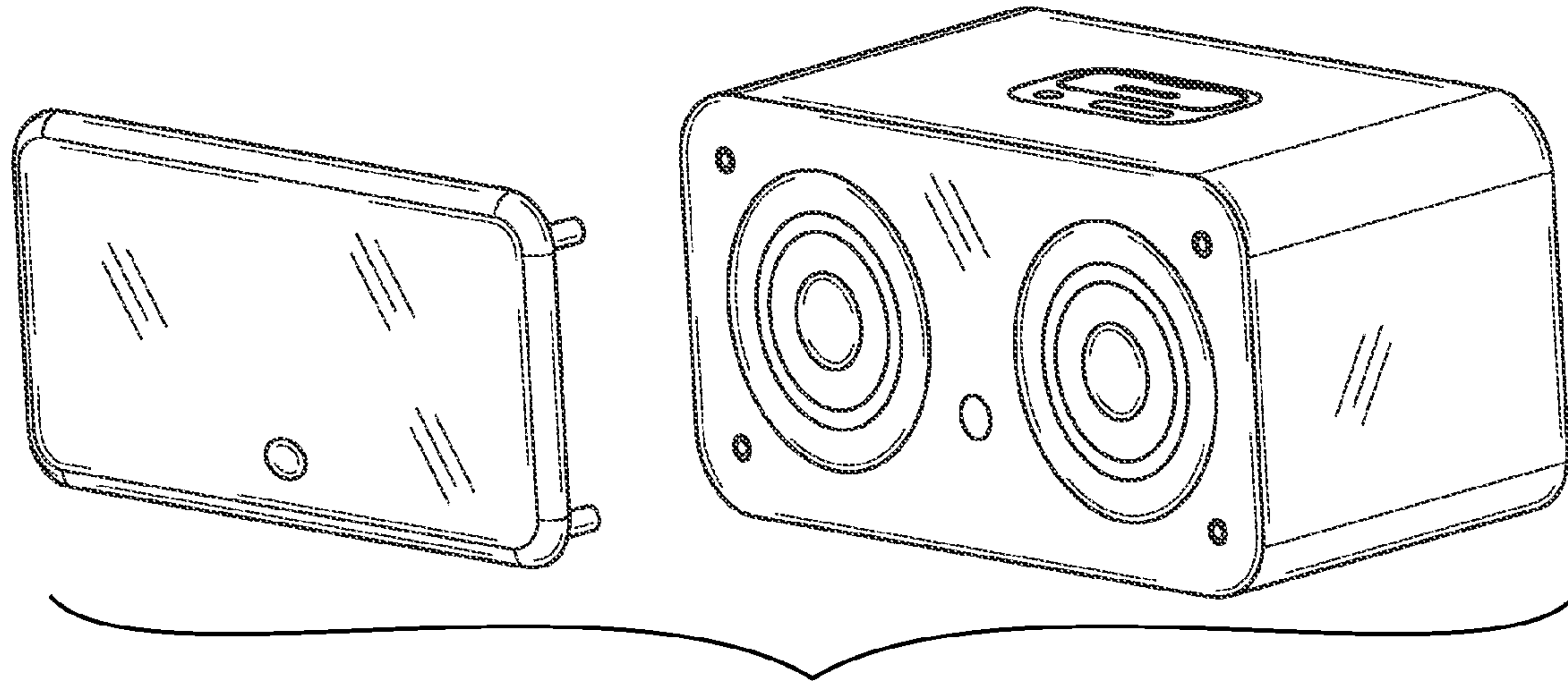


FIG. 1

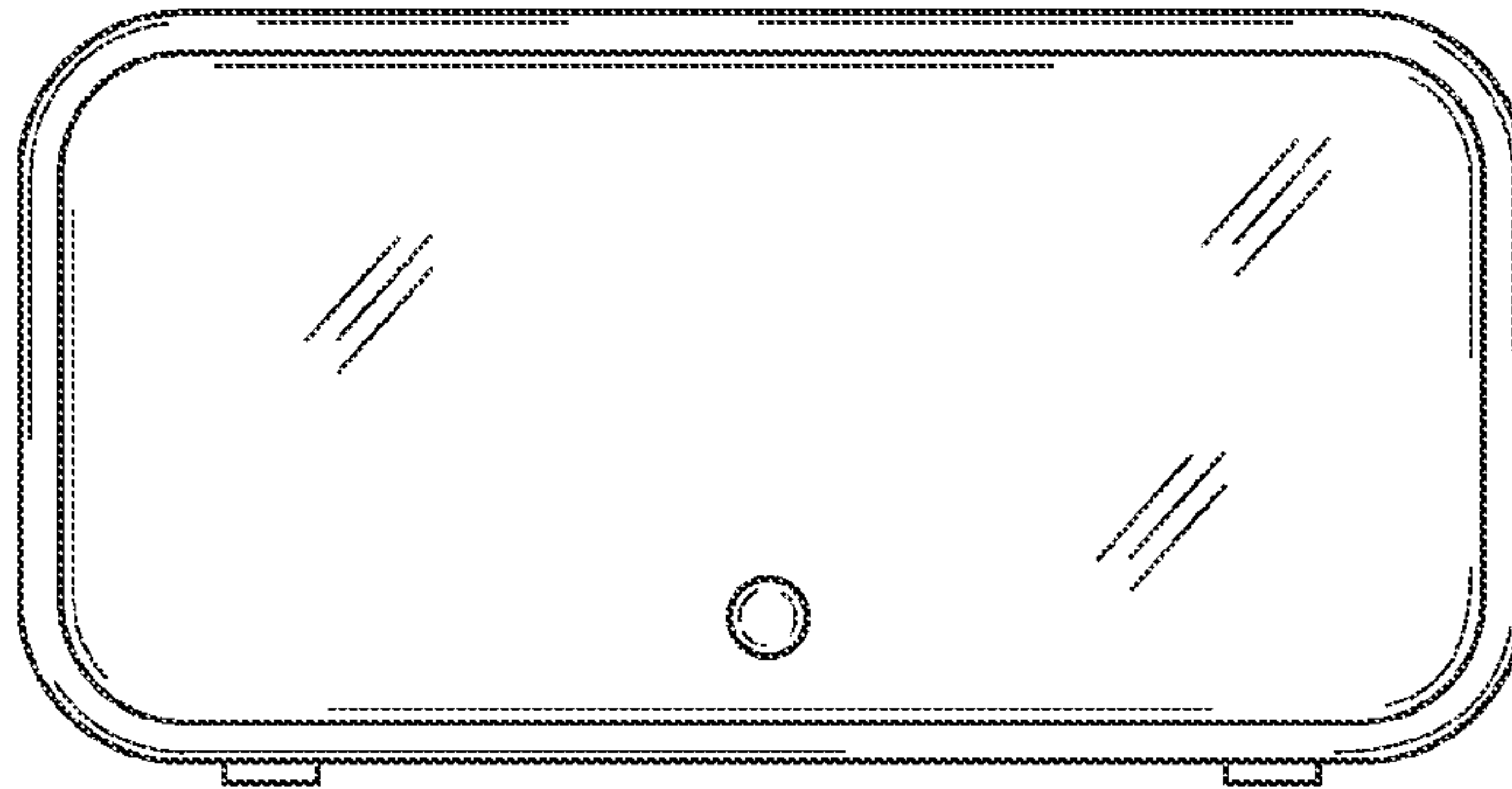


FIG. 2

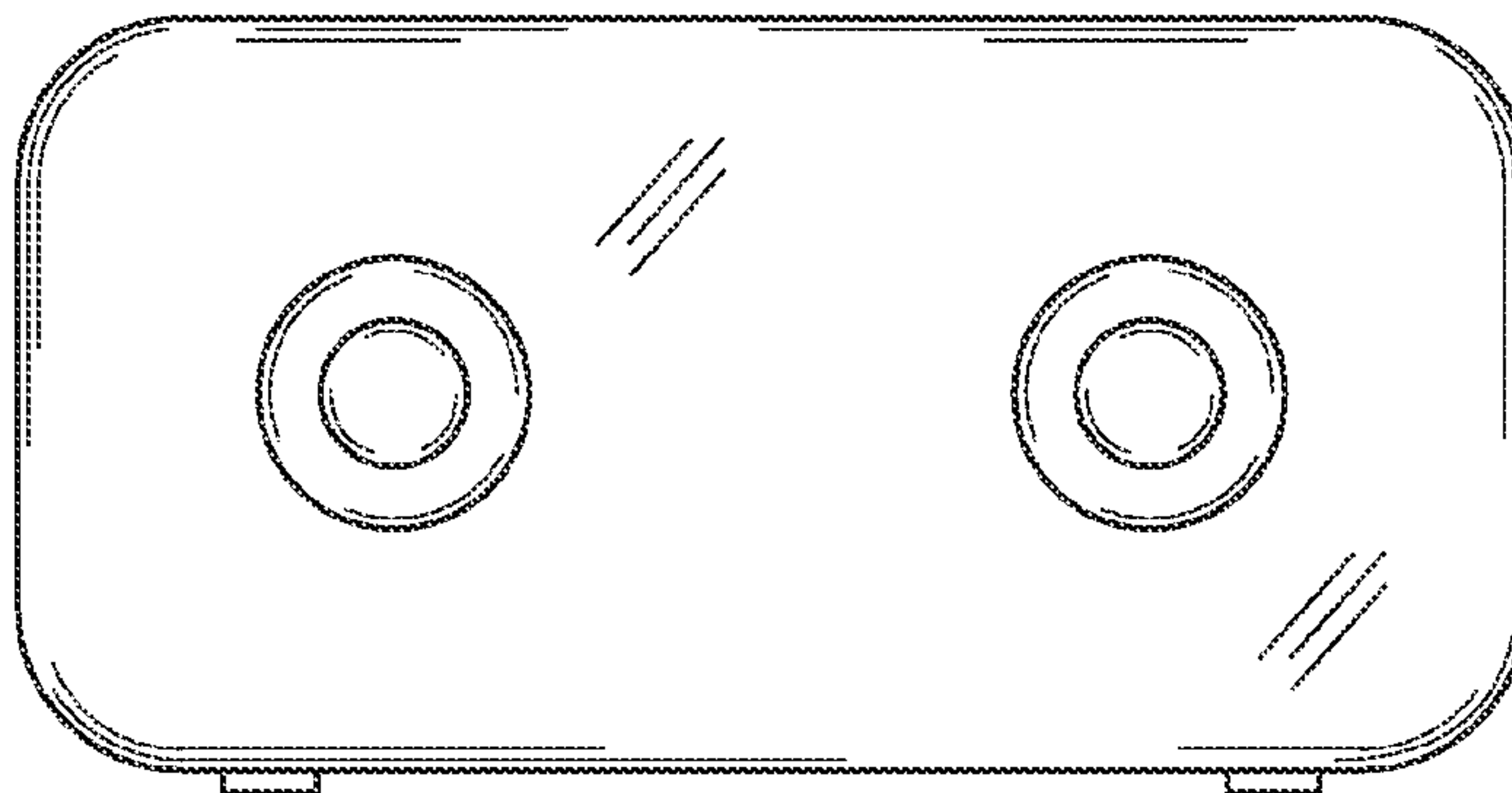


FIG. 3

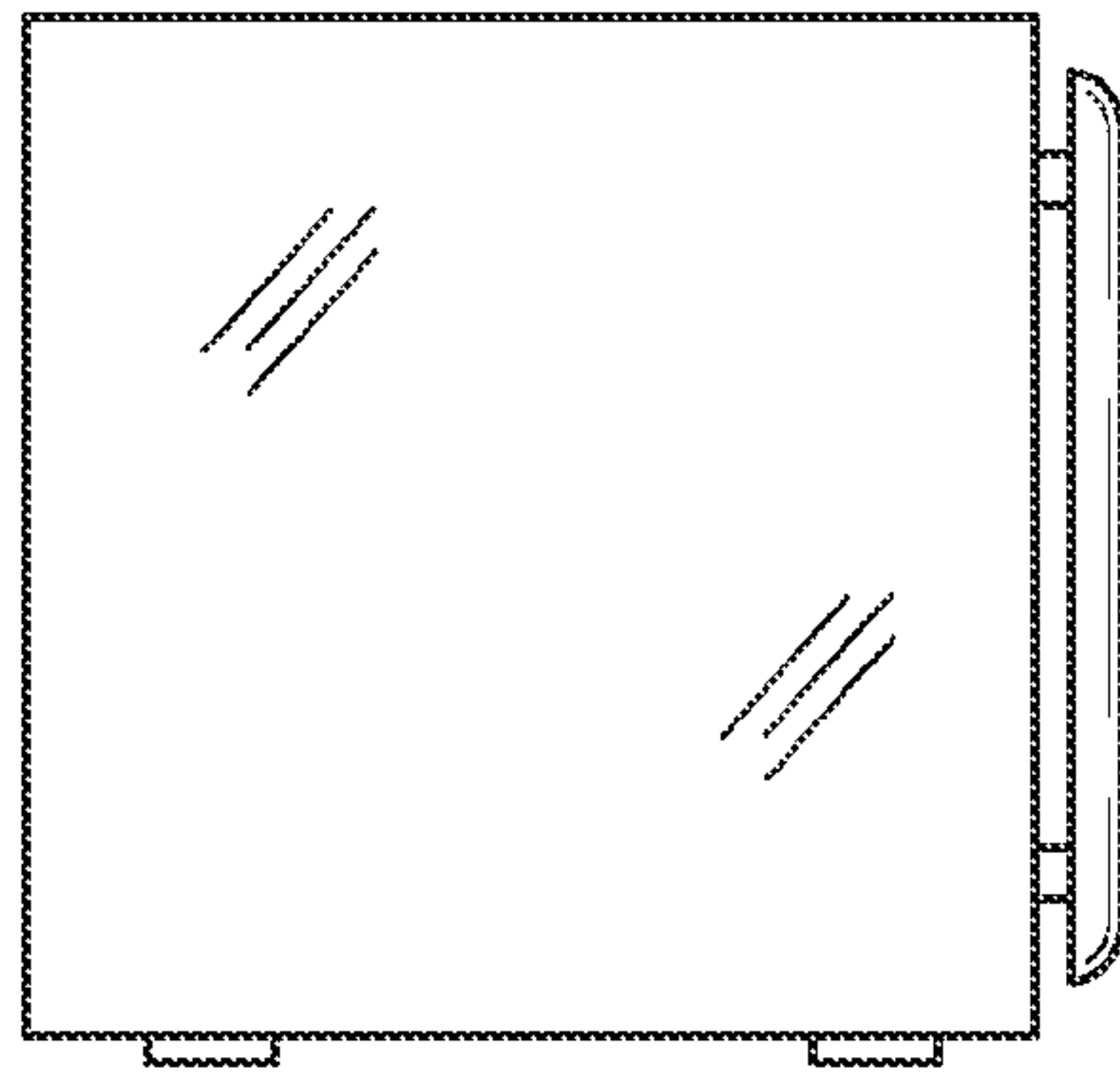


FIG. 4

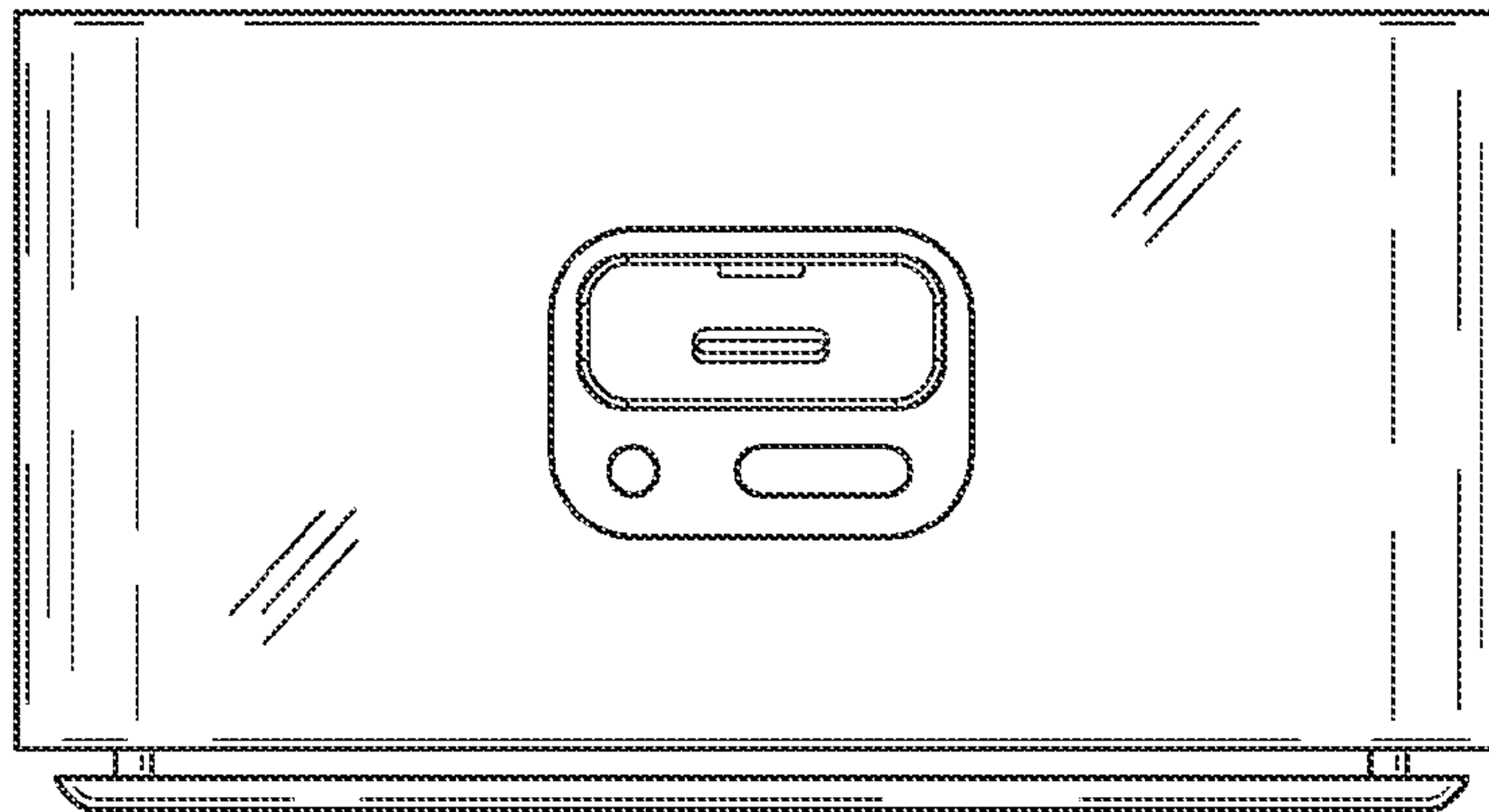


FIG. 5

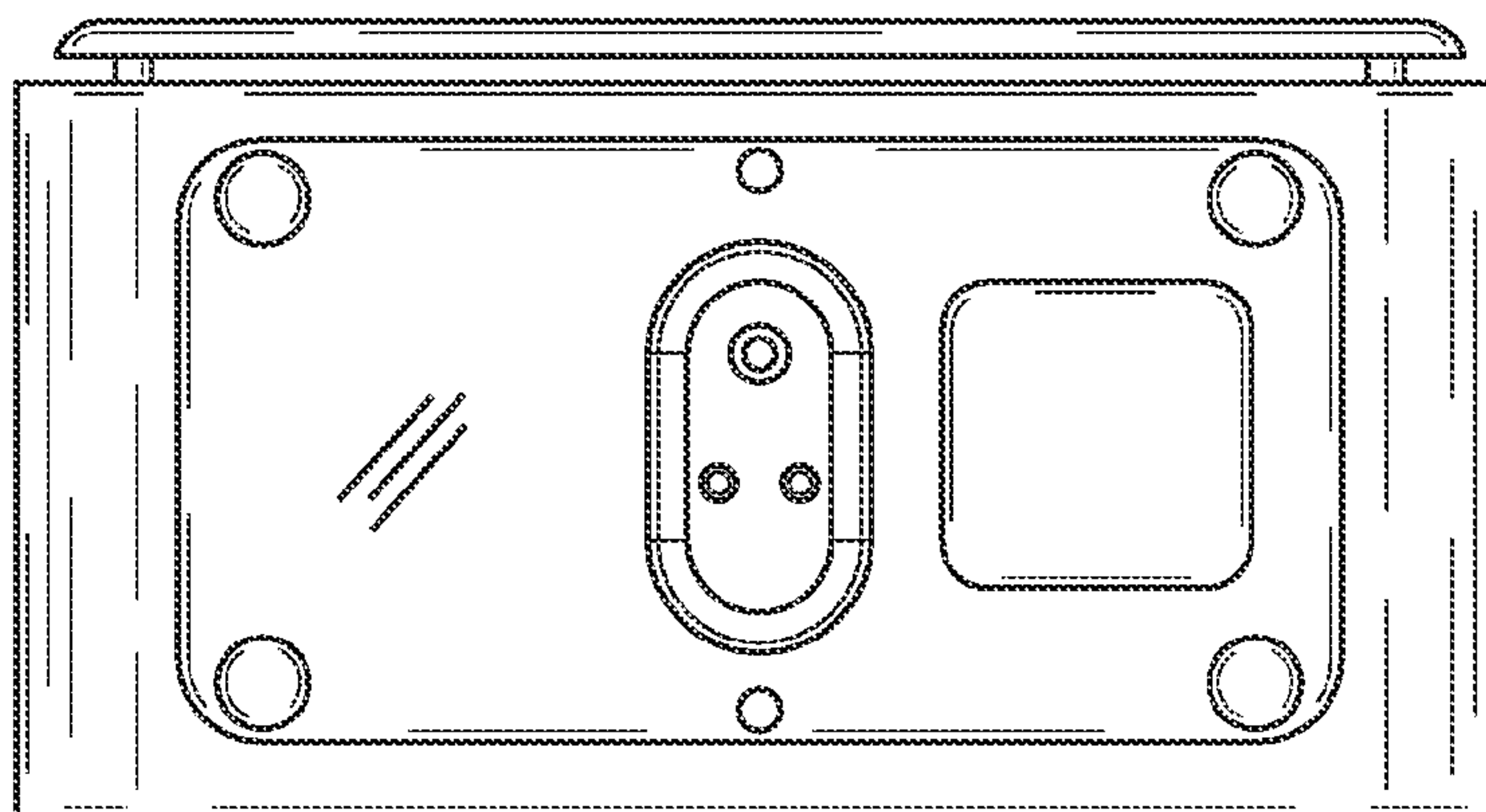


FIG. 6