

US00D596190S

(12) **United States Design Patent**
Garcia

(10) **Patent No.:** **US D596,190 S**
(45) **Date of Patent:** **** Jul. 14, 2009**

(54) **GRAPHIC USER INTERFACE FOR A DISPLAY SCREEN**

(75) Inventor: **Mario Garcia**, Taoyuan (TW)

(73) Assignee: **HTC Corporation**, Taoyuan County (TW)

(**) Term: **14 Years**

(21) Appl. No.: **29/317,187**

(22) Filed: **Apr. 24, 2008**

(51) **LOC (9) Cl.** **32-00**

(52) **U.S. Cl.** **D14/485; D14/493**

(58) **Field of Classification Search** D14/485-495;
715/700-867, 973-977

See application file for complete search history.

(56) **References Cited**

U.S. PATENT DOCUMENTS

5,621,906	A *	4/1997	O'Neill et al.	715/848
D395,297	S *	6/1998	Cheng et al.	D14/488
D398,299	S *	9/1998	Ballay et al.	D14/488
5,880,733	A *	3/1999	Horvitz et al.	715/850
5,963,203	A *	10/1999	Goldberg et al.	715/723
6,023,275	A *	2/2000	Horvitz et al.	715/700
D453,938	S *	2/2002	Graham	D14/489
D454,883	S *	3/2002	Graham	D14/489
D457,890	S *	5/2002	Chaudhri et al.	D14/493
6,466,237	B1 *	10/2002	Miyao et al.	715/838
6,542,168	B2 *	4/2003	Negishi et al.	715/781
D498,479	S *	11/2004	Totten et al.	D14/492

D498,763	S *	11/2004	Totten et al.	D14/493
D511,170	S *	11/2005	Totten et al.	D14/493
D513,511	S *	1/2006	Decombe	D14/486
7,051,291	B2 *	5/2006	Sciammarella et al.	715/838
7,065,710	B2 *	6/2006	Hayashi et al.	715/732
D531,187	S *	10/2006	Gusmorino et al.	D14/492
D545,834	S *	7/2007	Anthony et al.	D14/488
D545,835	S *	7/2007	Anthony et al.	D14/488
D546,343	S *	7/2007	Anthony et al.	D14/488
D565,591	S *	4/2008	O'Donnell et al.	D14/493
D568,892	S *	5/2008	Stabb et al.	D14/485
2007/0061745	A1 *	3/2007	Anthony et al.	715/764

* cited by examiner

Primary Examiner—Cathron C Brooks

Assistant Examiner—Deanna Fluegeman

(74) *Attorney, Agent, or Firm*—Jianq Chyun IP Office

(57) **CLAIM**

The ornamental design for a graphic user interface for a display screen, as shown and described.

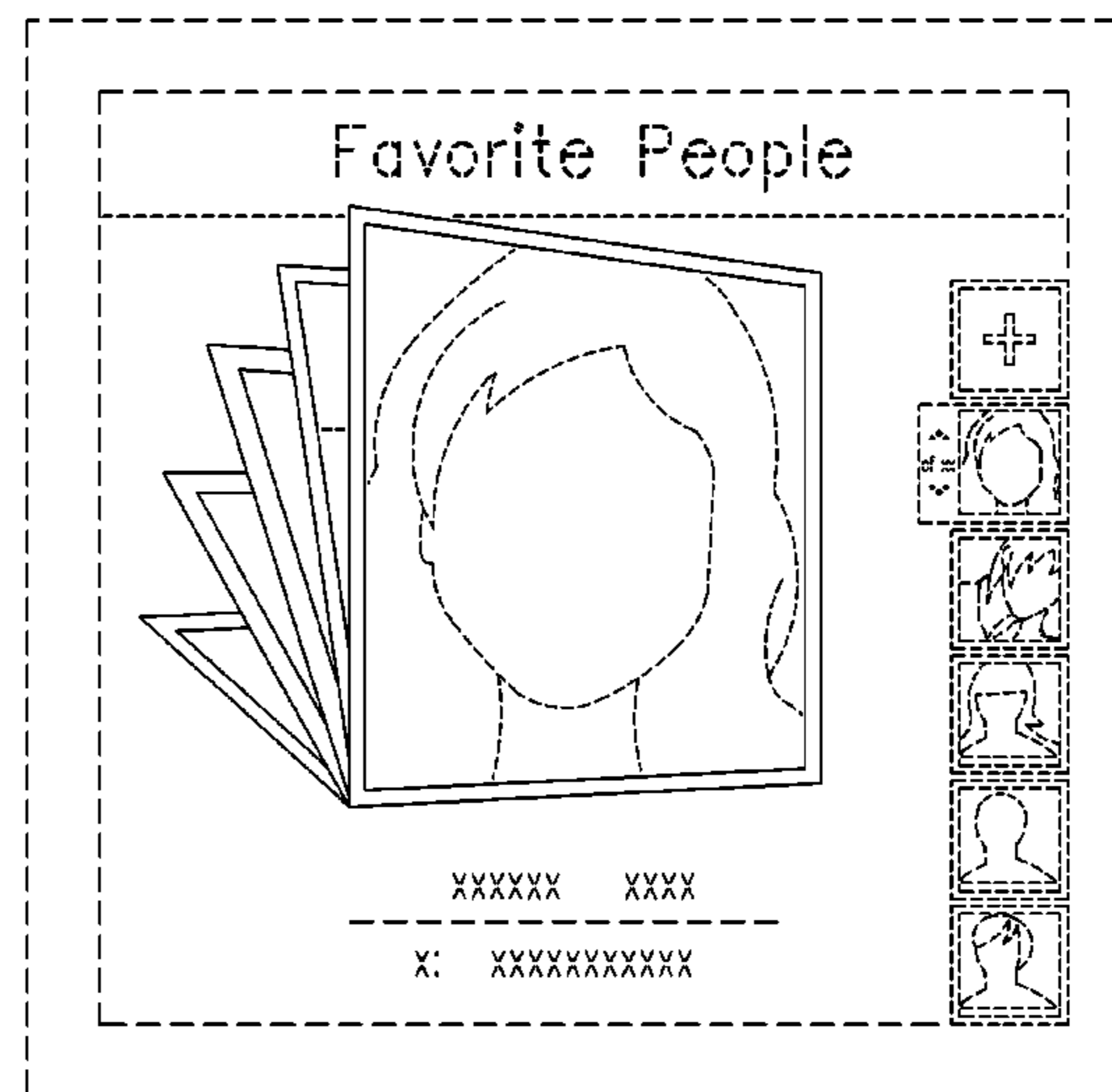
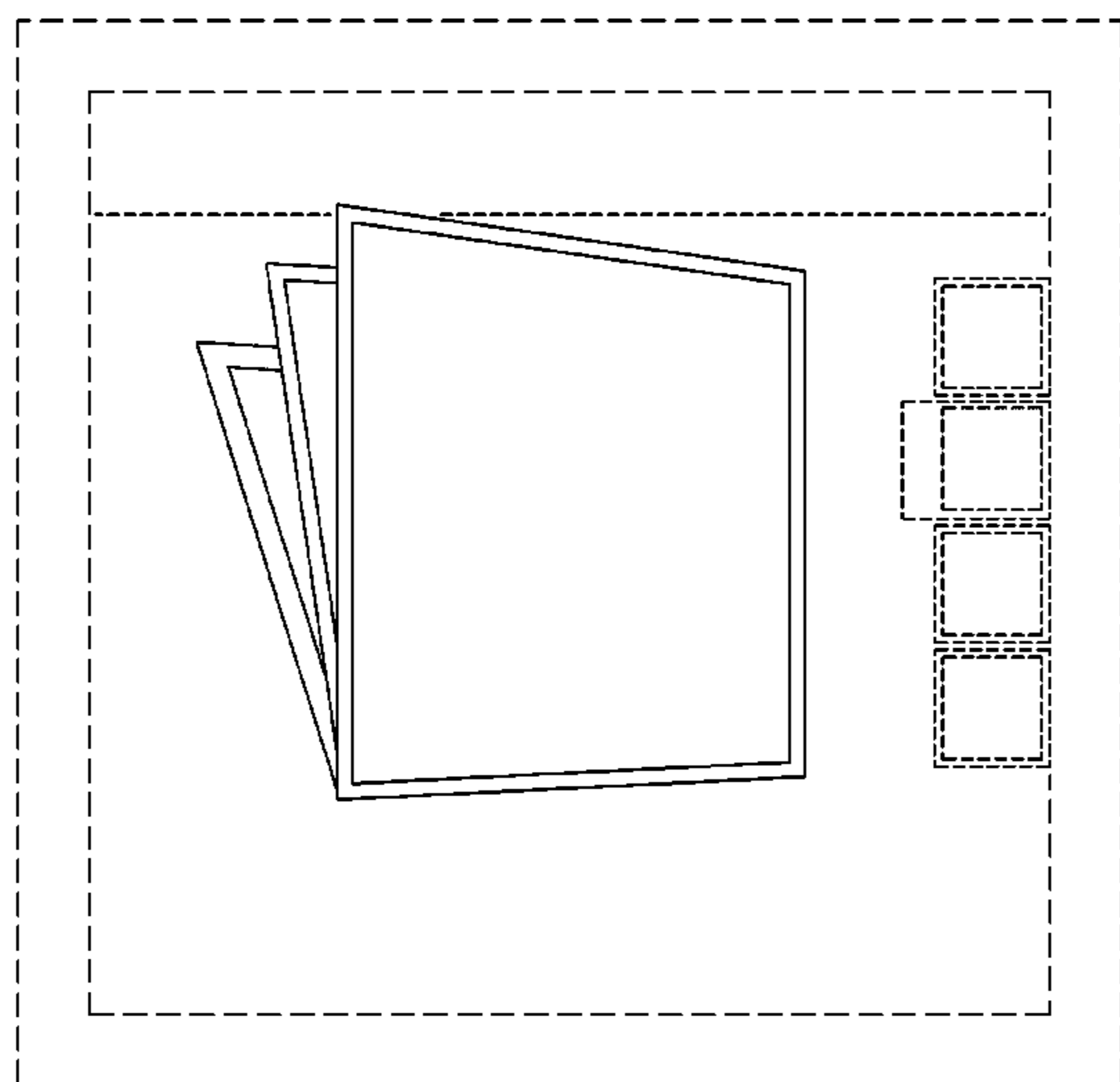
DESCRIPTION

FIG. 1 is a front view of a graphic user interface for a display screen in an embodiment of the present invention; and,

FIG. 2 is a front view of a graphic user interface for a display screen in another embodiment of the present invention.

The broken line showings of the display screen, patterns, pictures, characters, and symbols are for illustrative purposes only and form no part of the claimed design.

1 Claim, 2 Drawing Sheets



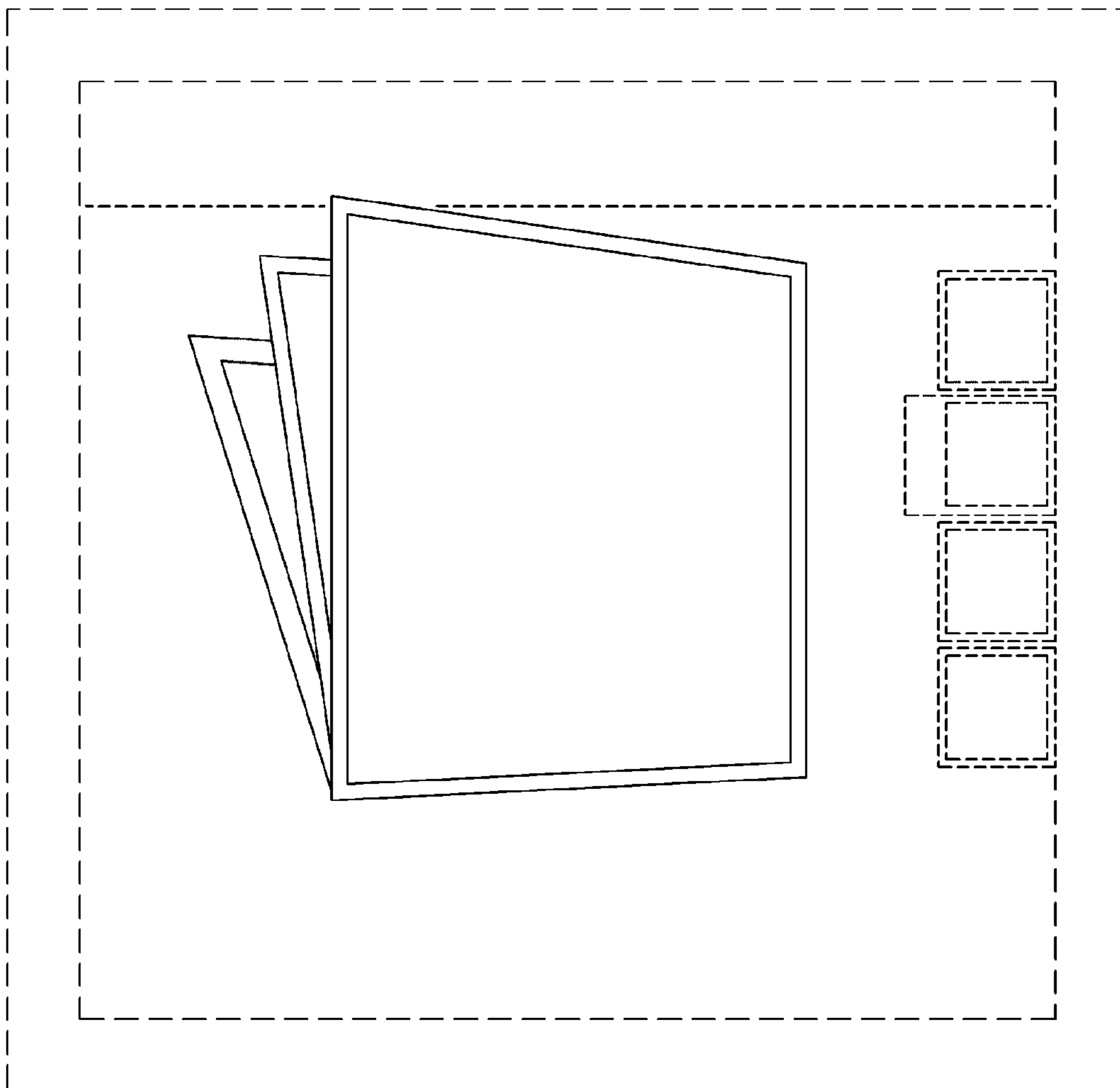


FIG. 1

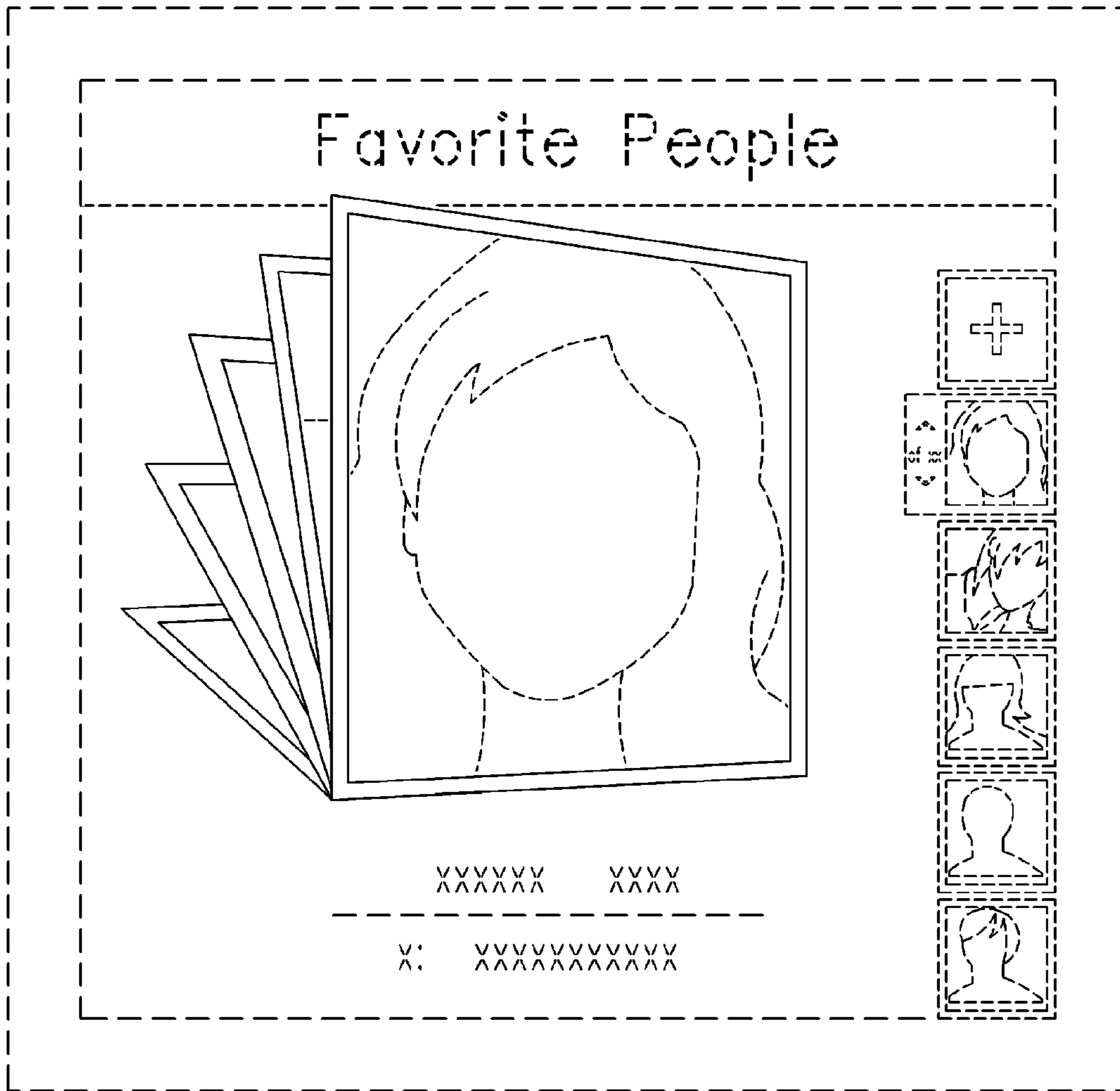


FIG. 2