

US00D596189S

(12) **United States Design Patent**  
**Bures et al.**

(10) **Patent No.:** **US D596,189 S**  
(45) **Date of Patent:** **\*\* Jul. 14, 2009**

(54) **TILTABLE MOUNTING HEAD FOR AN ELECTRONIC DISPLAY**

(75) Inventors: **Joe Bures**, Columbia Heights, MN (US); **Dominic Grey**, Blaine, MN (US); **Jim Wohlford**, Savage, MN (US)

(73) Assignee: **Milestone AV Technologies LLC**, Savage, MN (US)

(\*\*) Term: **14 Years**

(21) Appl. No.: **29/297,407**

(22) Filed: **Nov. 9, 2007**

(51) **LOC (9) Cl.** ..... **08-07**

(52) **U.S. Cl.** ..... **D14/454**

(58) **Field of Classification Search** ..... D14/447, D14/451, 452, 328, 336, 356, 371, 374, 375, D14/376, 432, 434, 439, 448, 454, 457, 239, D14/251, 252, 341, 224, 253, 316, 129, 209, D14/217, 237, 238, 458, 459, 460, 461; D10/65; D6/445, 513, 396, 419, 420, 473, 474, 512; D8/349, 355, 363, 373, 380, 354, 356; D19/92, D19/95; D23/370, 387; 248/176.1, 220.21, 248/223.31, 274.1, 276.1, 281.11, 284.1, 248/286.1, 309.1, 316.1, 323, 324, 346.3, 248/349.1, 371, 398, 917, 918, 919, 920, 248/921, 922, 923, 205.5, 121, 124.1, 127, 248/177.1, 201, 205.1, 291.1, 313, 346.01, 248/346.03, 415; D12/415; 312/223.3; 348/825, 348/836; 379/446, 454; 361/681, 683, 687, 361/695

See application file for complete search history.

(56) **References Cited**

**U.S. PATENT DOCUMENTS**

2,974,918 A 3/1961 Voigtlander  
4,943,022 A 7/1990 Rinderer  
D494,978 S 8/2004 Pfister  
D495,713 S 9/2004 Pfister et al.  
6,905,101 B1 6/2005 Dittmer

6,915,996 B2 \* 7/2005 Lin ..... 248/288.51  
7,028,961 B1 4/2006 Dittmer et al.  
7,152,836 B2 12/2006 Pfister et al.  
D534,789 S \* 1/2007 Worrall et al. .... D8/363  
D536,603 S \* 2/2007 Worrall et al. .... D8/363F

(Continued)

**OTHER PUBLICATIONS**

U.S. Appl. No. 29/297,409, filed Nov. 9, 2007, Bures.

*Primary Examiner*—Jennifer Rivard

*Assistant Examiner*—Angela J Lee

(74) *Attorney, Agent, or Firm*—Patterson, Thuente, Skarr & Christensen, PA

(57) **CLAIM**

The ornamental design for a tiltable mounting head for an electronic display, as shown and described.

**DESCRIPTION**

FIG. 1 is a front perspective view of a tiltable mounting head for an electronic display according to the invention;

FIG. 2 is a top plan view of the tiltable mounting head for an electronic display depicted in FIG. 1;

FIG. 3 is a bottom plan view of the tiltable mounting head for an electronic display depicted in FIG. 1;

FIG. 4 is a side elevation view of the tiltable mounting head for an electronic display depicted in FIG. 1;

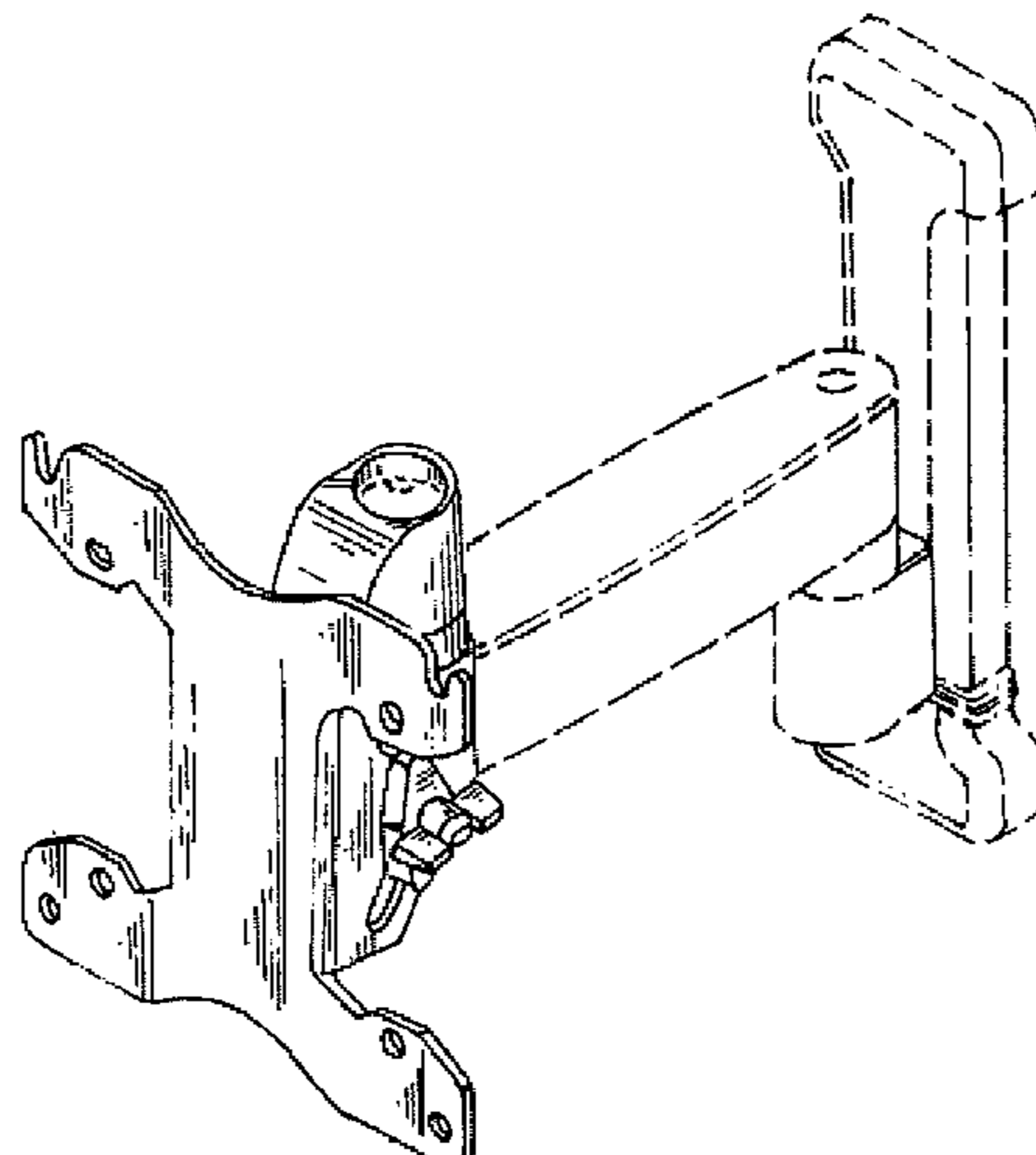
FIG. 5 is an opposing side elevation view of the tiltable mounting head for an electronic display depicted in FIG. 1;

FIG. 6 is a front elevation view of the tiltable mounting head for an electronic display depicted in FIG. 1; and,

FIG. 7 is a rear elevation view of the tiltable mounting head for an electronic display depicted in FIG. 1. Broken lines have been omitted for clarity of illustration.

The broken line showing of a pivot mount assembly is included for the purpose of illustrating environment and forms no part of the claimed design.

**1 Claim, 2 Drawing Sheets**



# US D596,189 S

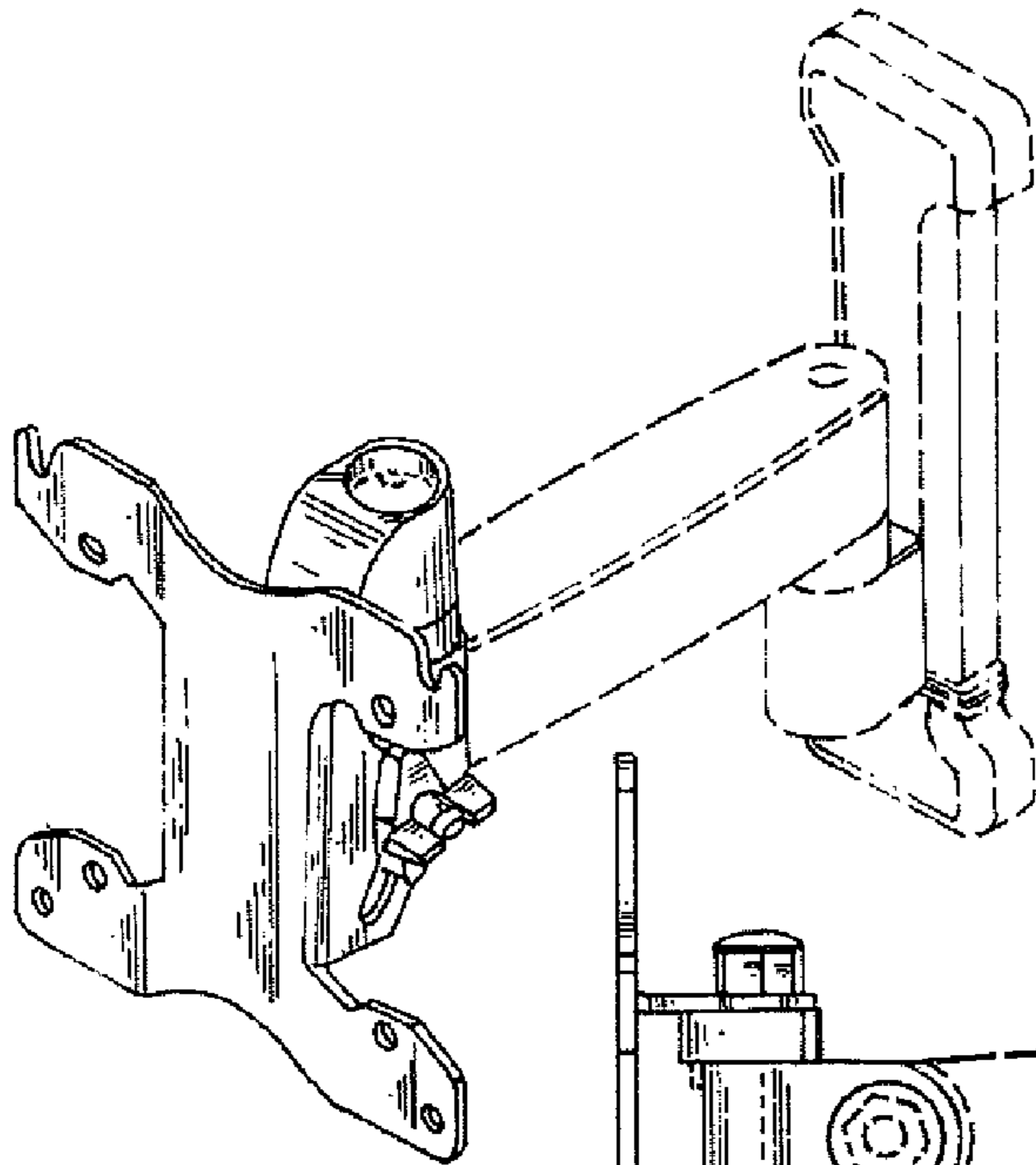
Page 2

---

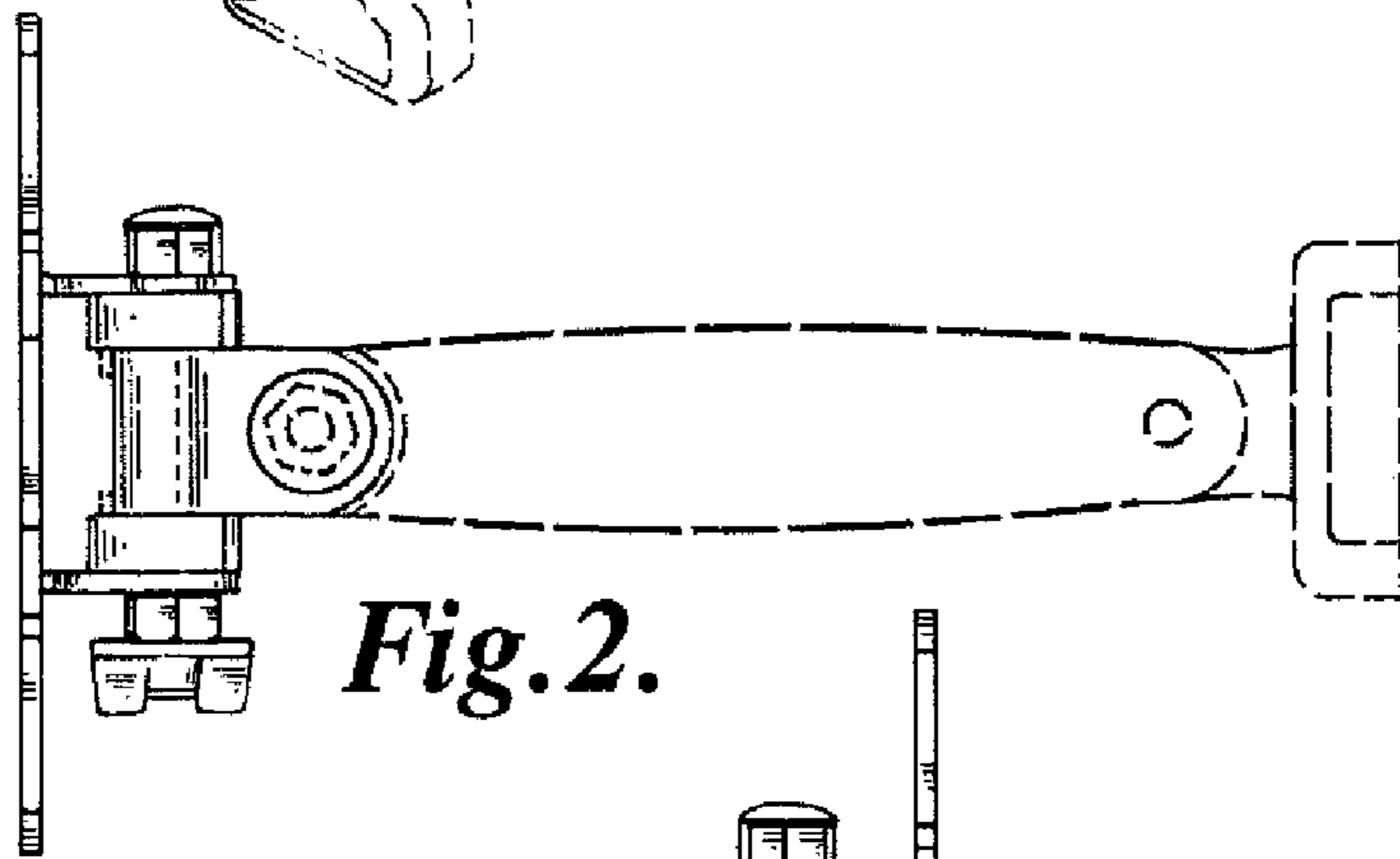
## U.S. PATENT DOCUMENTS

7,175,152	B2	2/2007	Dittmer				
D543,548	S *	5/2007	Muday et al. ....	D14/452			
7,261,265	B2 *	8/2007	Burns .....	248/276.1			
D556,205	S	11/2007	Wohlford et al.				
D557,126	S *	12/2007	Worrall et al. ....	D8/380			
D558,560	S *	1/2008	Ciungan .....	D8/363			
D558,562	S *	1/2008	Ciungan et al. ....	D8/363			
D560,676	S	1/2008	Wohlford et al.				
D561,188	S	2/2008	Wohlford et al.				
D562,113	S *	2/2008	Ciungan et al. ....	D8/363			
D565,938	S *	4/2008	Massoumi et al. ....	D8/363			
2004/0232298	A1	11/2004	Bremmon et al.				
2004/0262474	A1 *	12/2004	Boks et al. ....	248/276.1			
2007/0120030	A1	5/2007	Dittmer				
2007/0170336	A1	7/2007	Li				
2007/0176067	A1	8/2007	Monaco				
2008/0006751	A1 *	1/2008	Chen et al. ....	248/278.1			
2008/0185487	A1 *	8/2008	Beger .....	248/220.21			

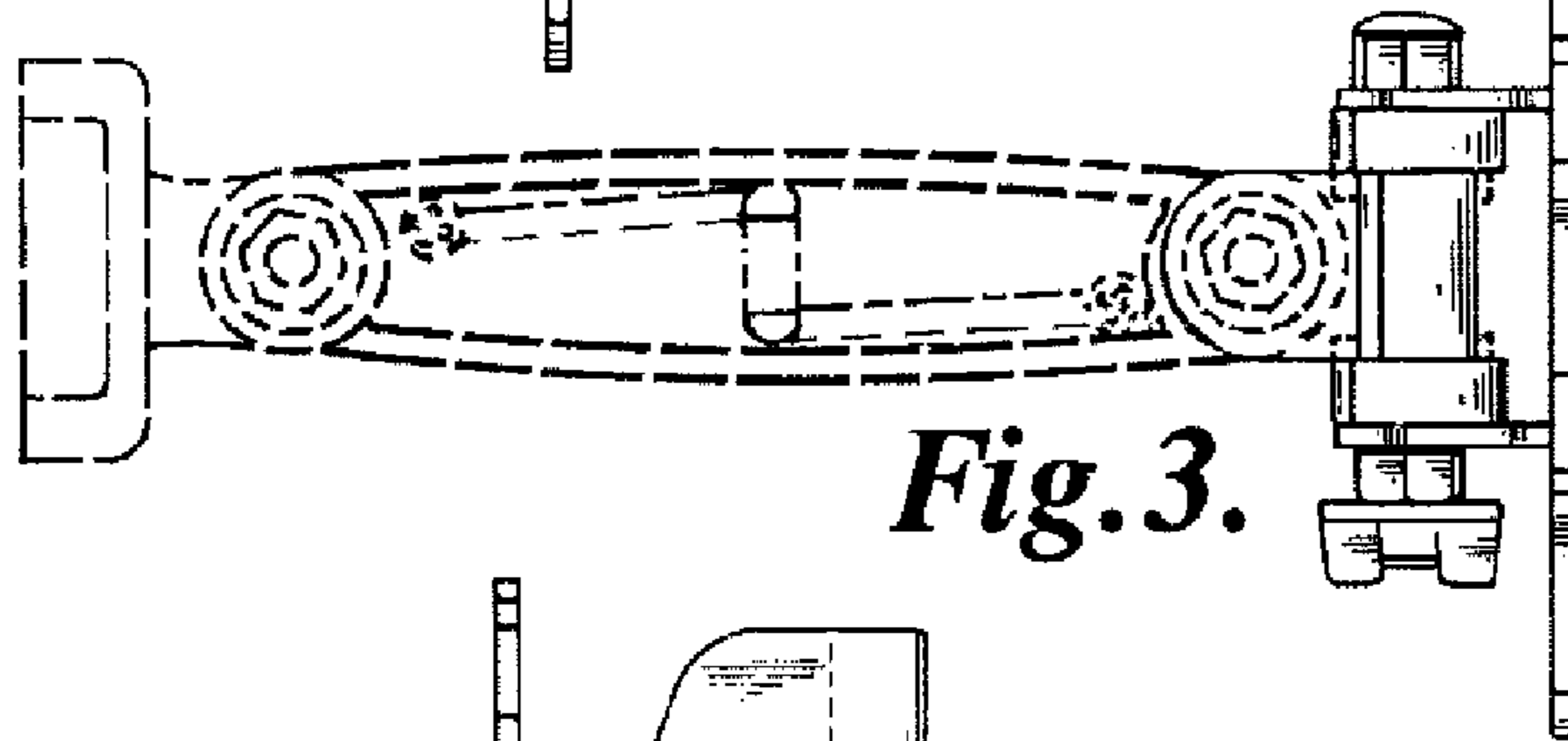
\* cited by examiner



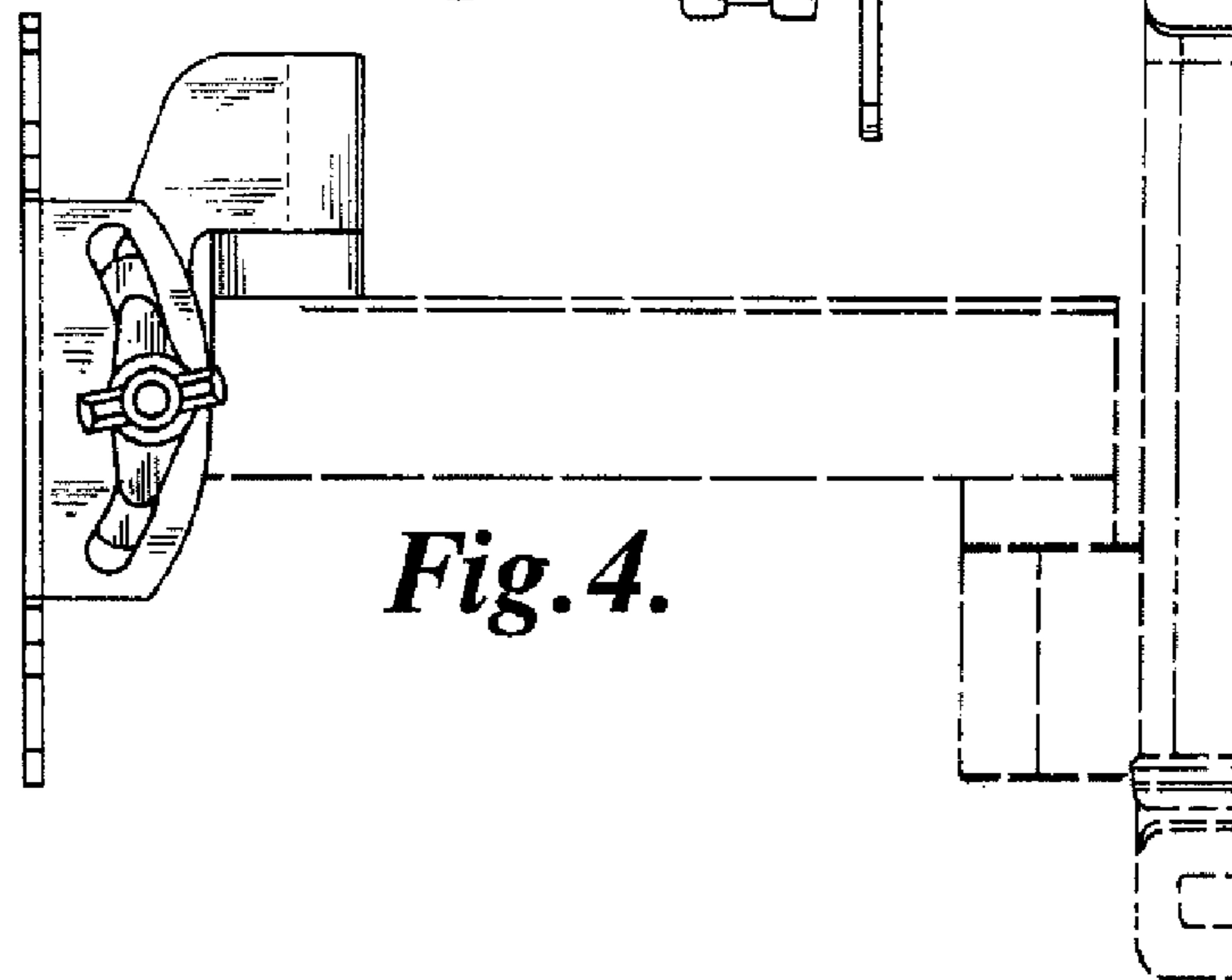
*Fig. 1.*



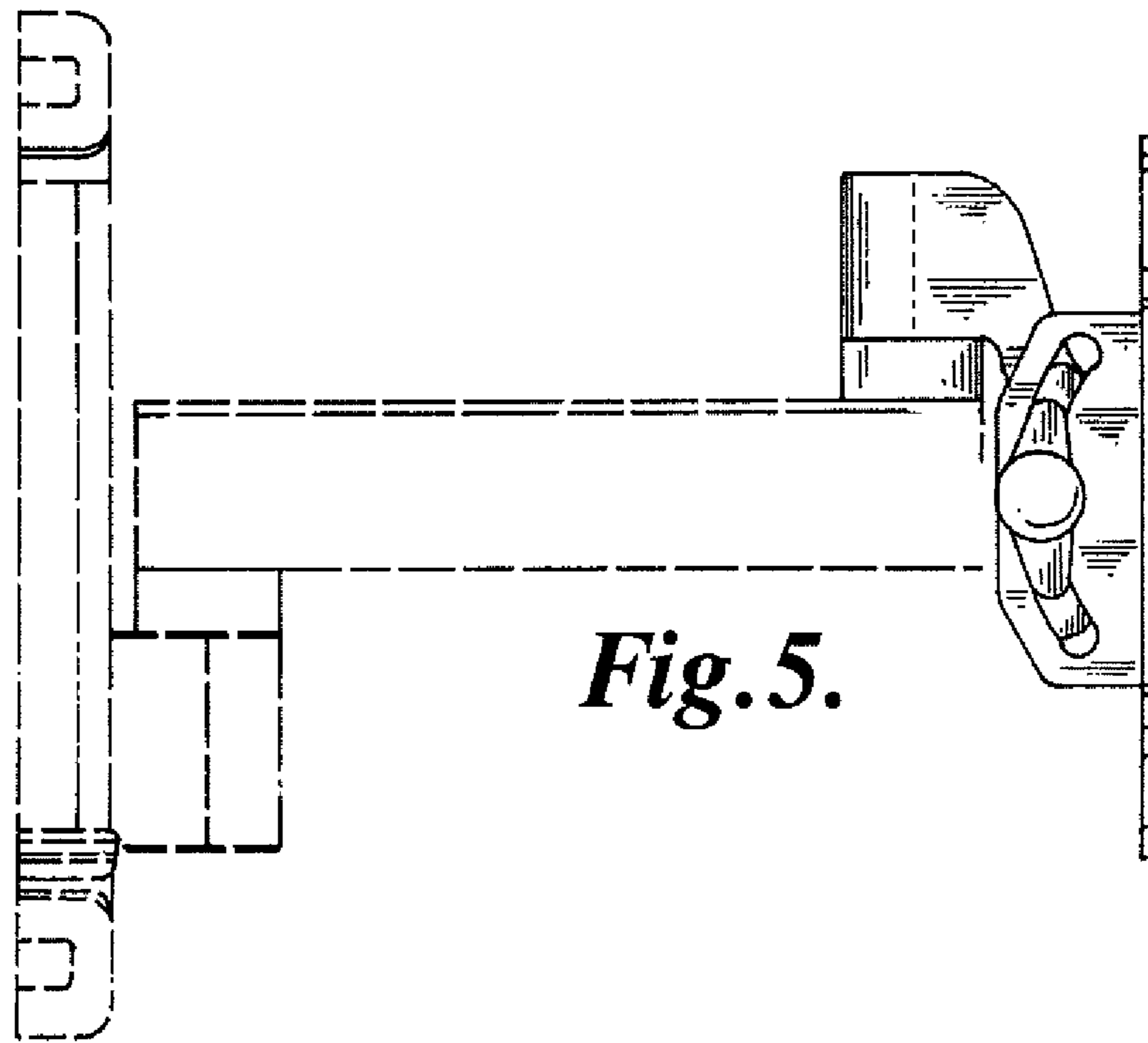
*Fig. 2.*



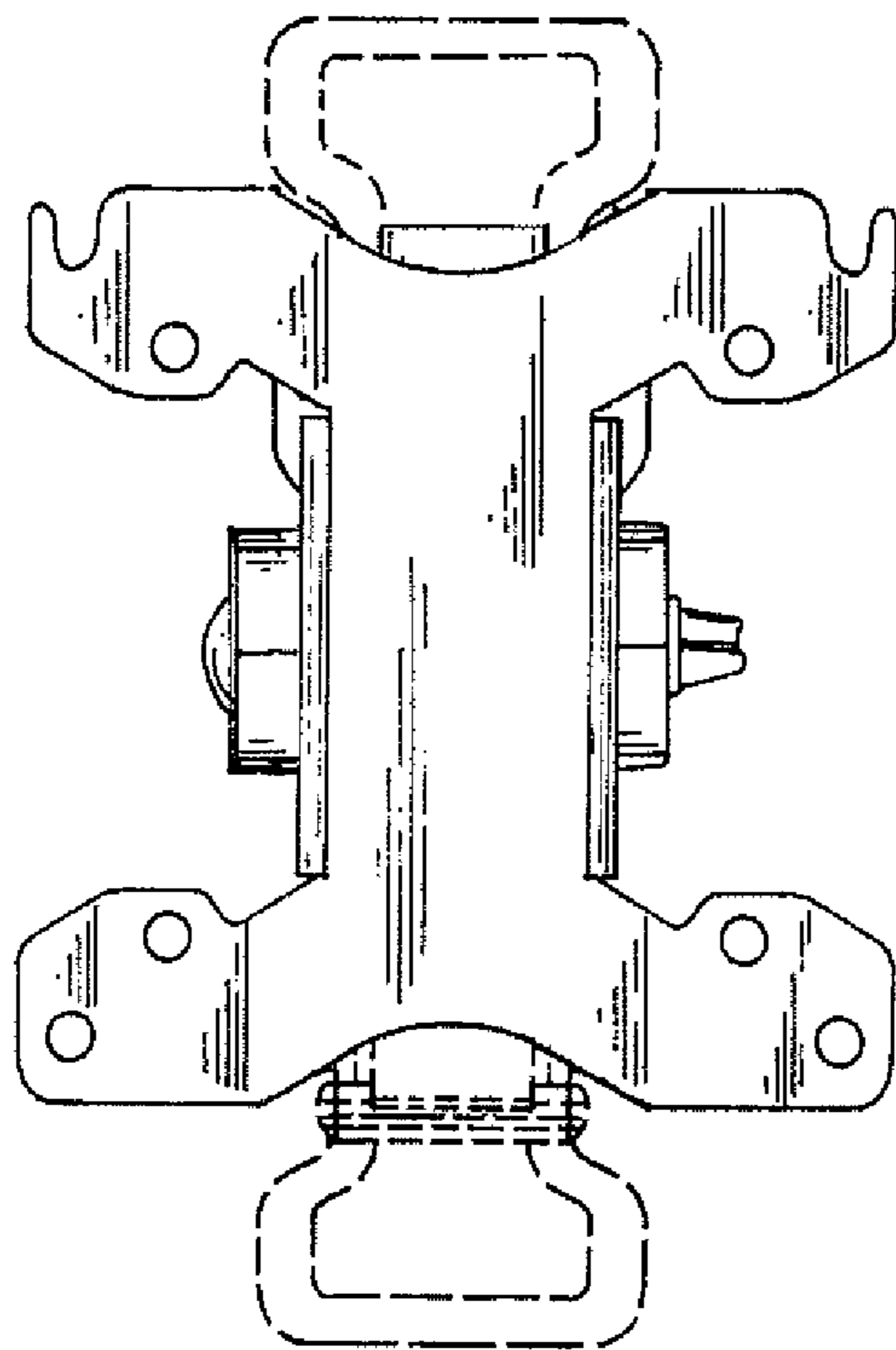
*Fig. 3.*



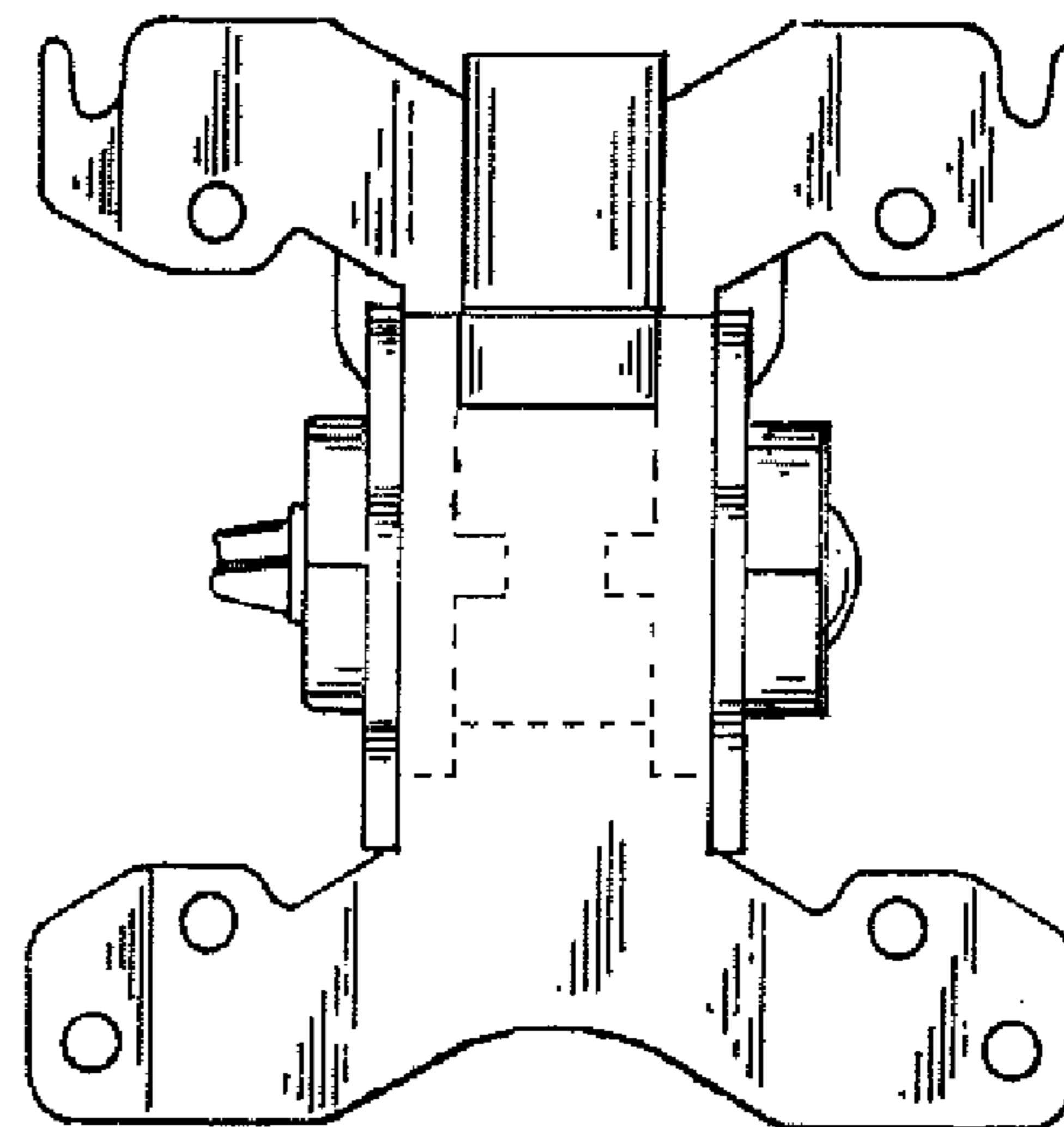
*Fig. 4.*



*Fig. 5.*



*Fig. 6.*



*Fig. 7.*