



US00D596188S

(12) **United States Design Patent**
Lau et al.

(10) **Patent No.:** **US D596,188 S**
(45) **Date of Patent:** **** Jul. 14, 2009**

(54) **MONITOR SUPPORT APPARATUS**

(75) Inventors: **Alex Lau**, London (GB); **Andrew Wills**, London (GB); **Seiyo Ezure**, Woking (GB)

(73) Assignee: **Colebrook Bosson Sanders Products Limited** (GB)

(**) Term: **14 Years**

(21) Appl. No.: **29/291,865**

(22) Filed: **Sep. 19, 2007**

(30) **Foreign Application Priority Data**

Mar. 19, 2007	(EM)	000694732-0001
Mar. 19, 2007	(EM)	000694732-0002
Mar. 19, 2007	(EM)	000694732-0003
Mar. 19, 2007	(EM)	000694732-0004
Mar. 19, 2007	(EM)	000694732-0005

(51) **LOC (9) Cl.** **08-07**

(52) **U.S. Cl.** **D14/452**

(58) **Field of Classification Search** D14/447, D14/451, 452, 328, 336, 356, 371, 374, 375, D14/376, 432, 434, 439, 448, 454, 457, 239, D14/251, 252, 341, 224, 253, 316, 129, 209, D14/217, 237, 238, 458, 459, 460, 461; D10/65; D6/444, 513, 396, 419, 420, 473, 474, 512; D8/349, 355, 363, 373, 380, 354, 356; D19/92, D19/95; D23/370, 387; 248/176.1, 220.21, 248/223.31, 274.1, 276.1, 281.11, 284.1, 248/286.1, 309.1, 316.1, 323, 324, 346.3, 248/349.1, 371, 398, 917, 918, 919, 920, 248/921, 922, 923, 205.5, 121, 124.1, 127, 248/177.1, 201, 205.1, 291.1, 313, 346.01, 248/346.03, 415; D12/415; 312/223.3; 348/825, 348/836; 379/446.454; 361/681, 683, 687, 361/695

See application file for complete search history.

(56) **References Cited**

U.S. PATENT DOCUMENTS

D308,205	S	*	5/1990	Tholberg	D14/253
D430,165	S	*	8/2000	Lee	D14/451
D455,949	S	*	4/2002	Huang	D8/373
6,394,403	B1	*	5/2002	Hung	248/276.1
D539,290	S	*	3/2007	Zhu et al.	D14/447
D539,293	S	*	3/2007	May et al.	D14/452
7,207,537	B2	*	4/2007	Hung	248/284.1
D568,888	S	*	5/2008	Eyman et al.	D14/451
7,395,995	B2	*	7/2008	Chen	248/284.1
2005/0006542	A1	*	1/2005	Henning et al.	248/274.1
2006/0060735	A1	*	3/2006	Odds et al.	248/278.1
2006/0157627	A1	*	7/2006	Hung	248/276.1
2008/0164395	A1	*	7/2008	Chang et al.	248/276.1

* cited by examiner

Primary Examiner—Jennifer Rivard

Assistant Examiner—Angela J Lee

(74) *Attorney, Agent, or Firm*—Carter, DeLuca, Farrell & Schmidt, LLP

(57) **CLAIM**

The ornamental design for a monitor support apparatus, as shown and described.

DESCRIPTION

FIG. 1 is a perspective view of monitor support apparatus in accordance with the present design;

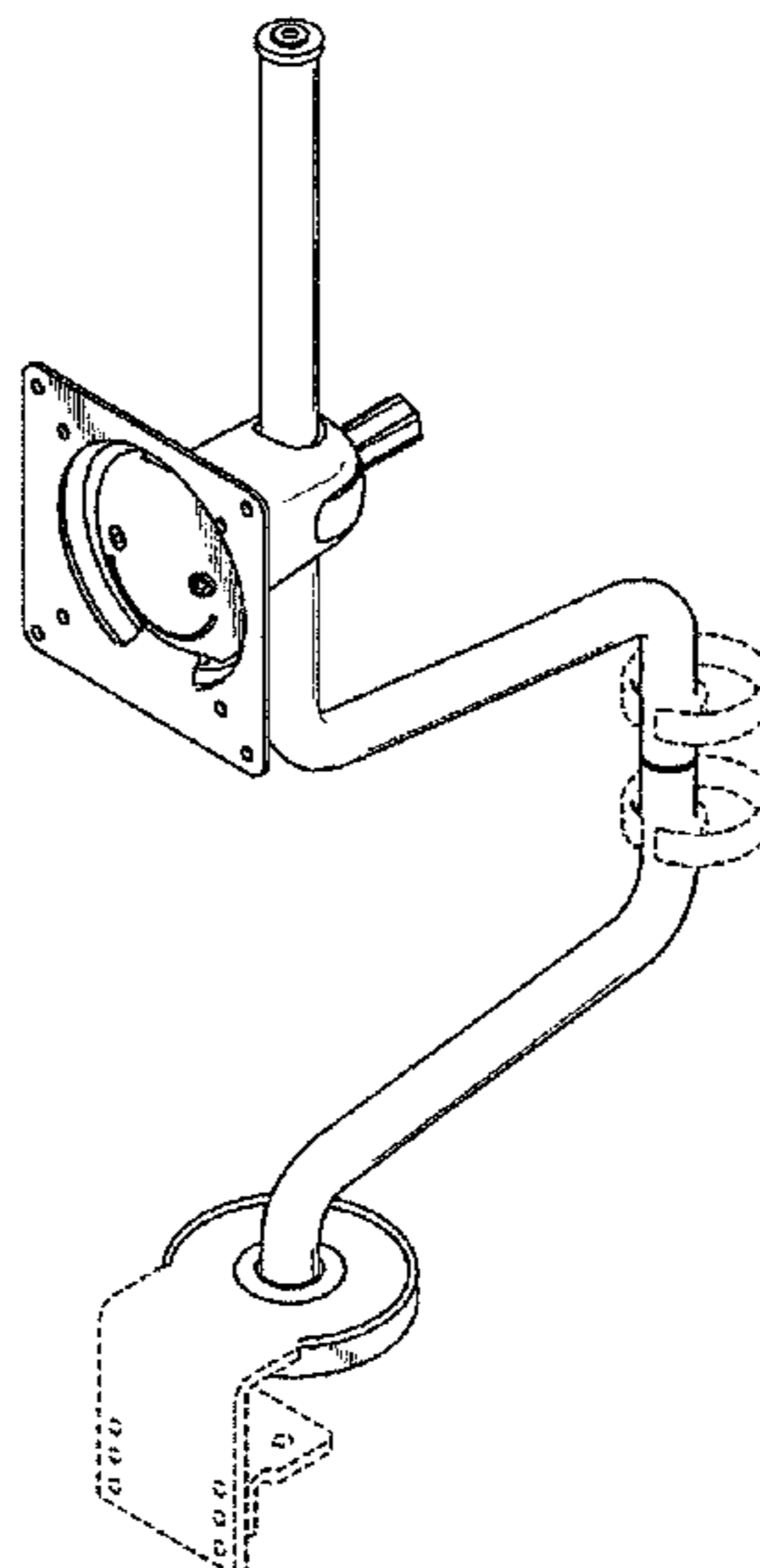
FIG. 2 is a front elevational view thereof;

FIG. 3 is a right side elevational view thereof, the left side elevational view being a mirror image of the right side elevational view; and,

FIG. 4 is a rear elevational view thereof.

The broken line showing of unclaimed portions of the monitor support apparatus forms no part of the claimed design.

1 Claim, 2 Drawing Sheets



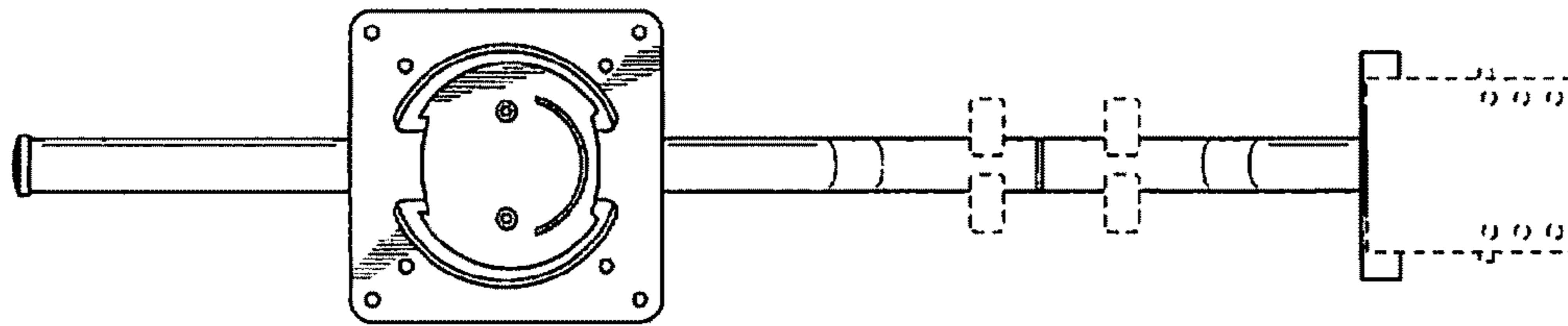


FIG. 2

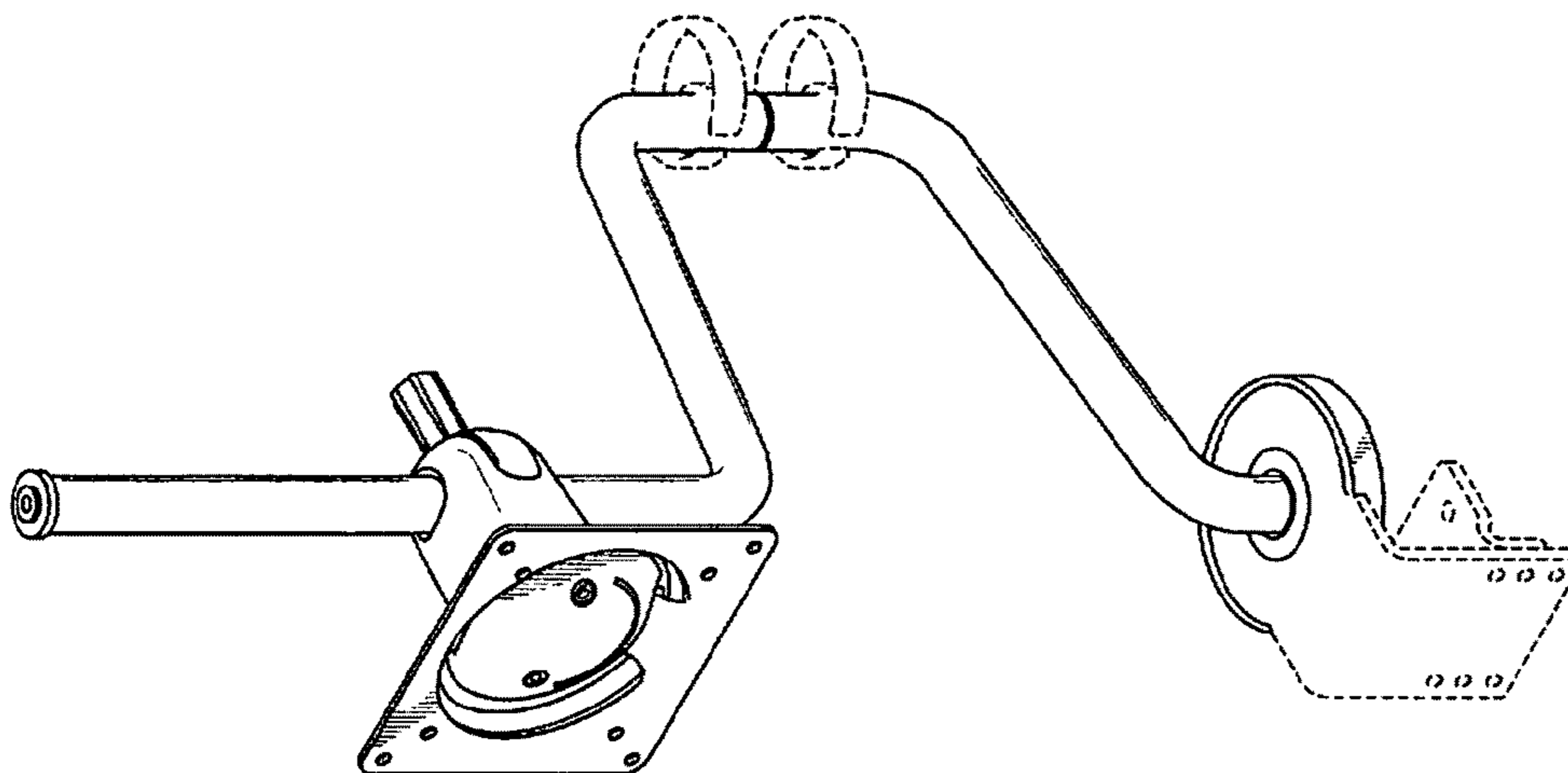


FIG. 1

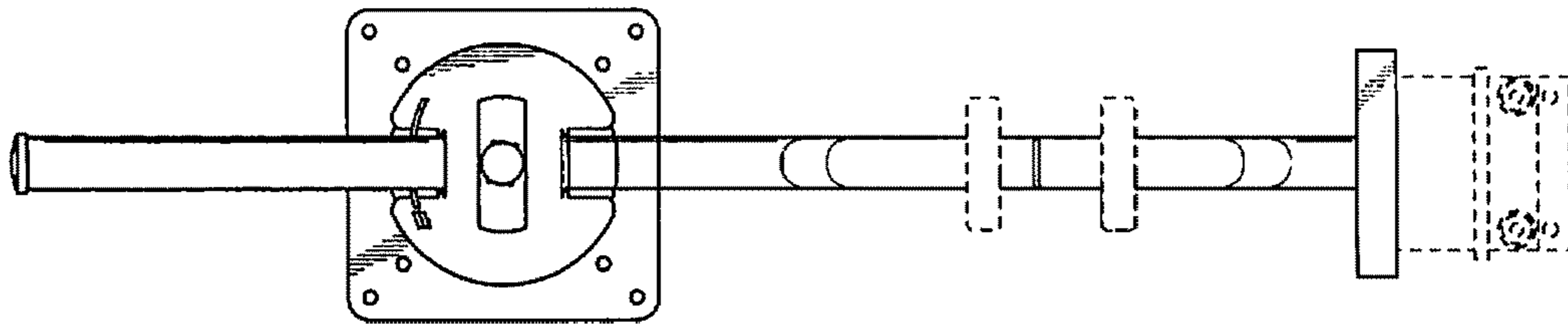


FIG. 4

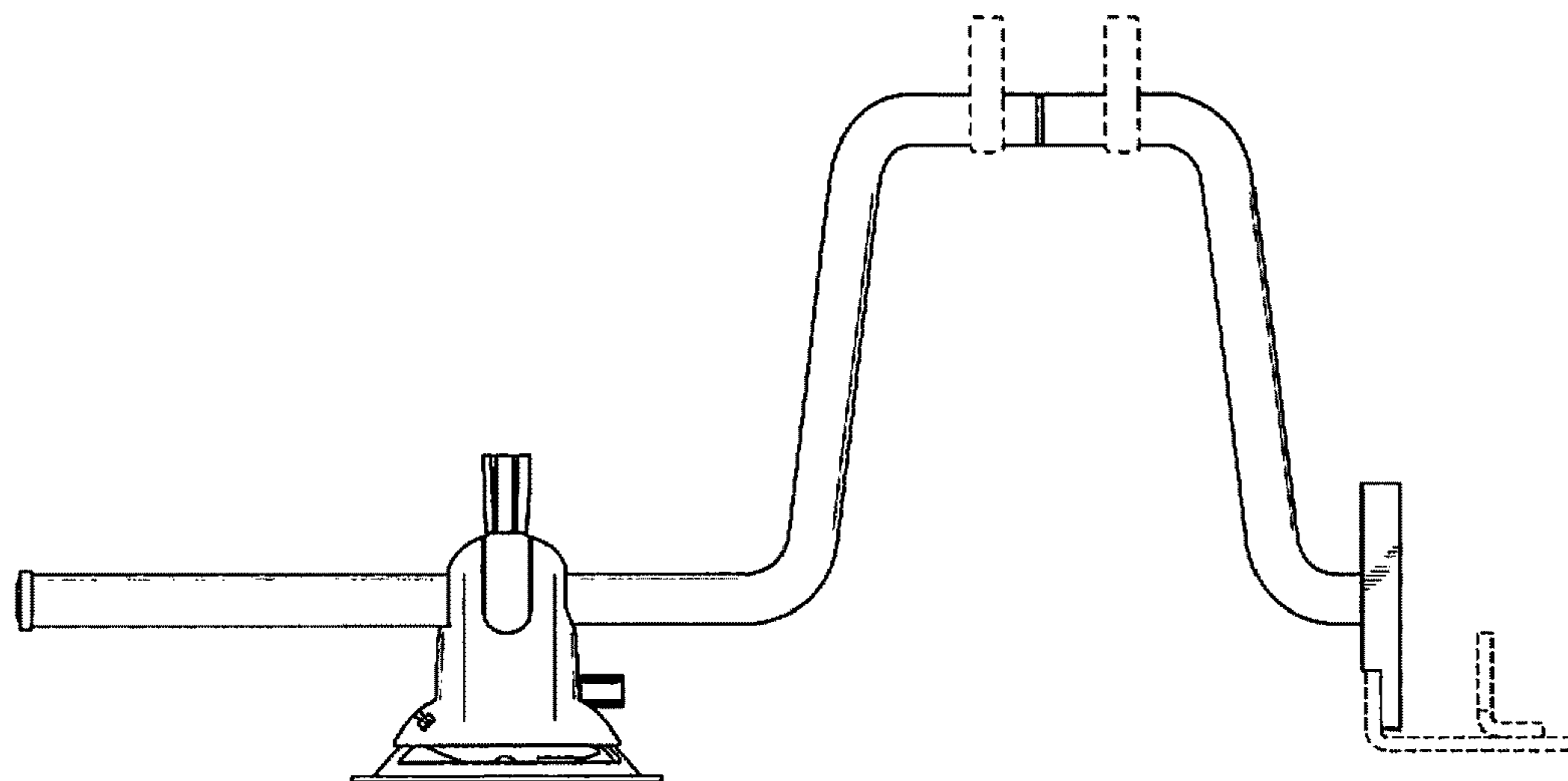


FIG. 3