



US00D596187S

(12) **United States Design Patent**
Martell

(10) **Patent No.:** **US D596,187 S**
(45) **Date of Patent:** **** Jul. 14, 2009**

(54) **COMPUTER STAND**

(76) Inventor: **Douglas Martell**, 150 Lochside Road,
P.O. Box 271, Arichat, NS (CA) BOE
1A0

(**) Term: **14 Years**

(21) Appl. No.: **29/303,674**

(22) Filed: **Feb. 14, 2008**

(30) **Foreign Application Priority Data**

Oct. 25, 2007 (CA) 122859

(51) **LOC (9) Cl.** **08-07**

(52) **U.S. Cl.** **D14/447**

(58) **Field of Classification Search** D14/447,
D14/451, 452, 449, 251, 253, 239, 432, 434,
D14/439, 448, 450, 454, 455, 457, 458, 459,
D14/460, 461, 336, 337, 371, 372, 373, 374,
D14/375, 376, 377, 378, 379, 380, 381, 382,
D14/125, 126, 127, 129, 133, 305, 307, 335,
D14/340, 339; D6/300, 308, 310, 312, 313,
D6/314, 449, 512; D8/354, 363; D19/91,
D19/90; 349/58, 60; 312/7.2; 348/790,
348/794, 825, 836; 211/42, 43, 126.6, 132.1,
211/171, 195; 248/917, 918, 919, 920, 921,
248/922, 923, 924, 451, 454, 460; 361/680,
361/681, 382, 683, 686

See application file for complete search history.

(56) **References Cited**

U.S. PATENT DOCUMENTS

1,601,997 A * 10/1926 Coss et al. 248/453
4,154,173 A * 5/1979 Chesnut 108/6
D264,412 S * 5/1982 Vega D6/310
4,378,102 A * 3/1983 Portis et al. 248/460
D398,458 S 9/1998 Martell
D410,910 S 6/1999 Martell
D441,562 S * 5/2001 Tapscott et al. D6/419
D517,328 S * 3/2006 Thrall D6/300

7,258,321 B1 * 8/2007 Storrs 248/251
D562,572 S * 2/2008 Nothel D6/310
D573,598 S * 7/2008 Chu D14/447
2004/0042172 A1 * 3/2004 Kusaka et al. 361/687
2006/0108494 A1 * 5/2006 Lancet 248/456
2008/0105811 A1 * 5/2008 Denby 248/460

* cited by examiner

Primary Examiner—Jennifer Rivard

Assistant Examiner—Angela J Lee

(74) *Attorney, Agent, or Firm*—Carter, DeLuca Farrell &
Schmidt LLP

(57) **CLAIM**

The ornamental design for a computer stand, as shown and described.

DESCRIPTION

FIG. 1 is a front perspective of my new design comprising a computer stand;

FIG. 2 is a front elevational view thereof;

FIG. 3 is a side elevational view thereof;

FIG. 4 is a bottom view thereof;

FIG. 5 is a top view thereof;

FIG. 6 is a front perspective view of my design in a storage position;

FIG. 7 is a rear perspective view of my design in the storage position;

FIG. 8 is a front elevational view of my design in the storage position;

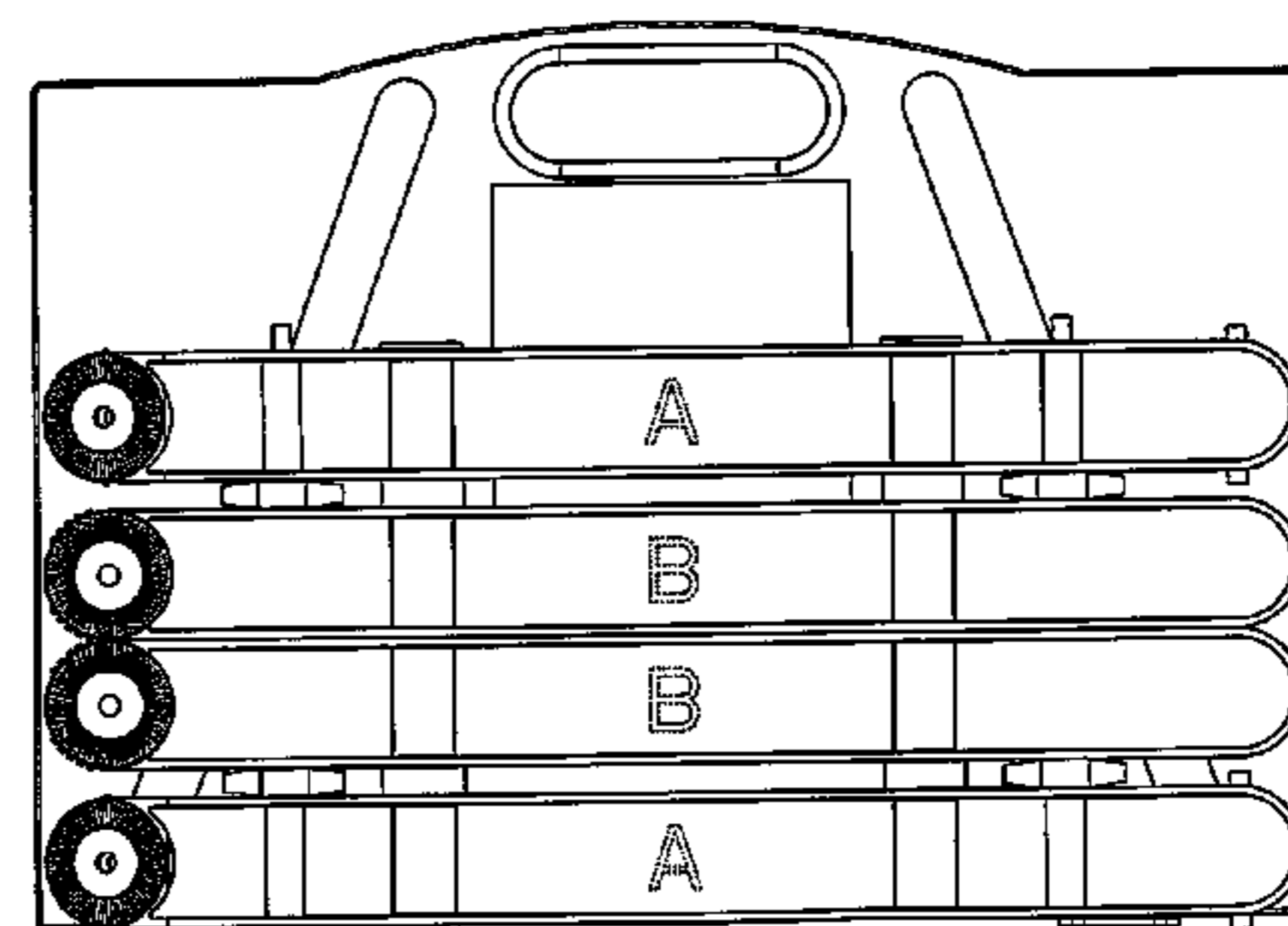
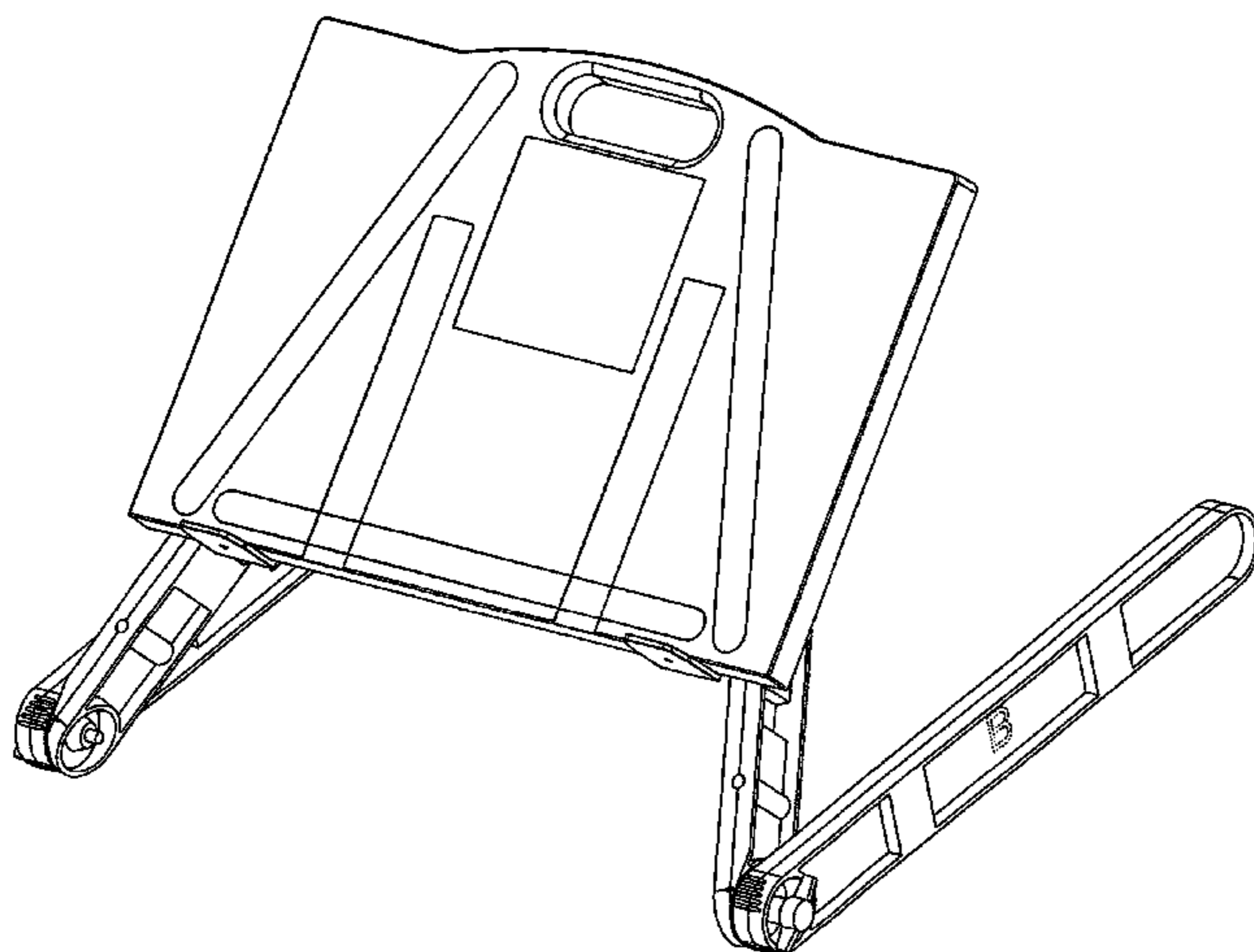
FIG. 9 is a rear elevational view of my design in the storage position;

FIG. 10 is a side elevational view of my design in the storage position; and,

FIG. 11 is a top view of my design in the storage position.

The broken lines showing the letters in FIGS. 1, 3, 6 and 8 are for illustrative purposes only and form no part of the design.

1 Claim, 11 Drawing Sheets



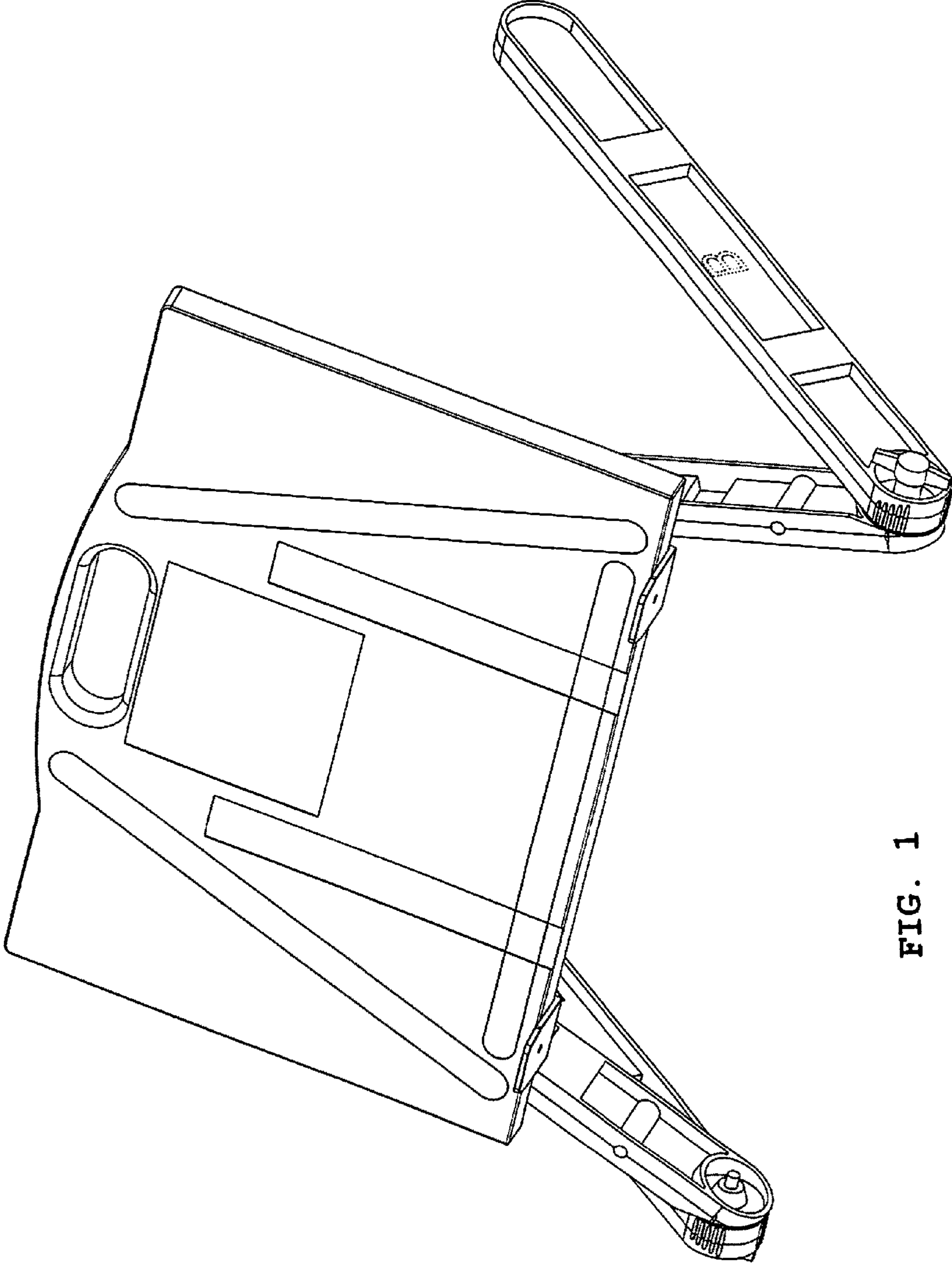


FIG. 1

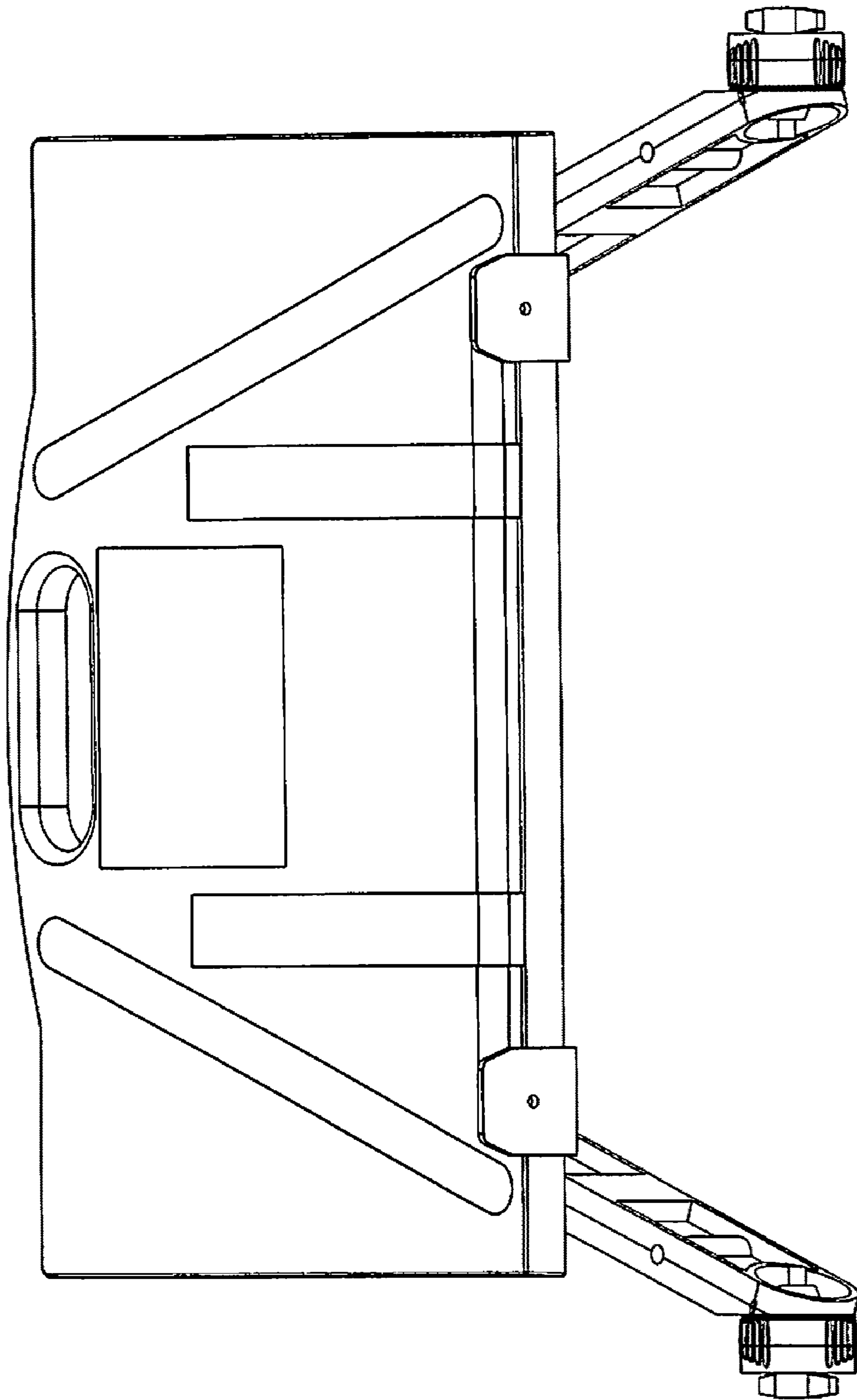


FIG. 2

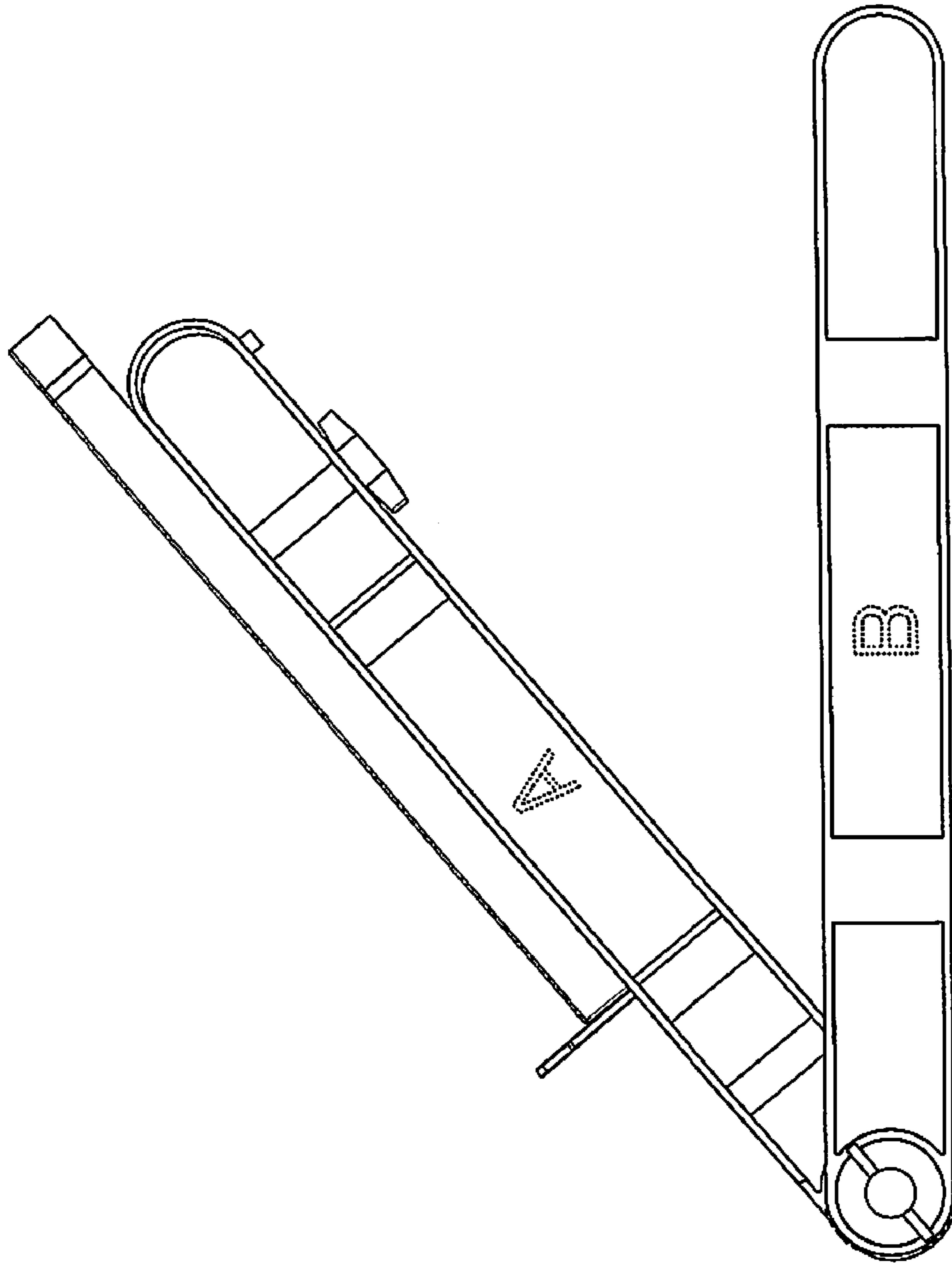


FIG. 3

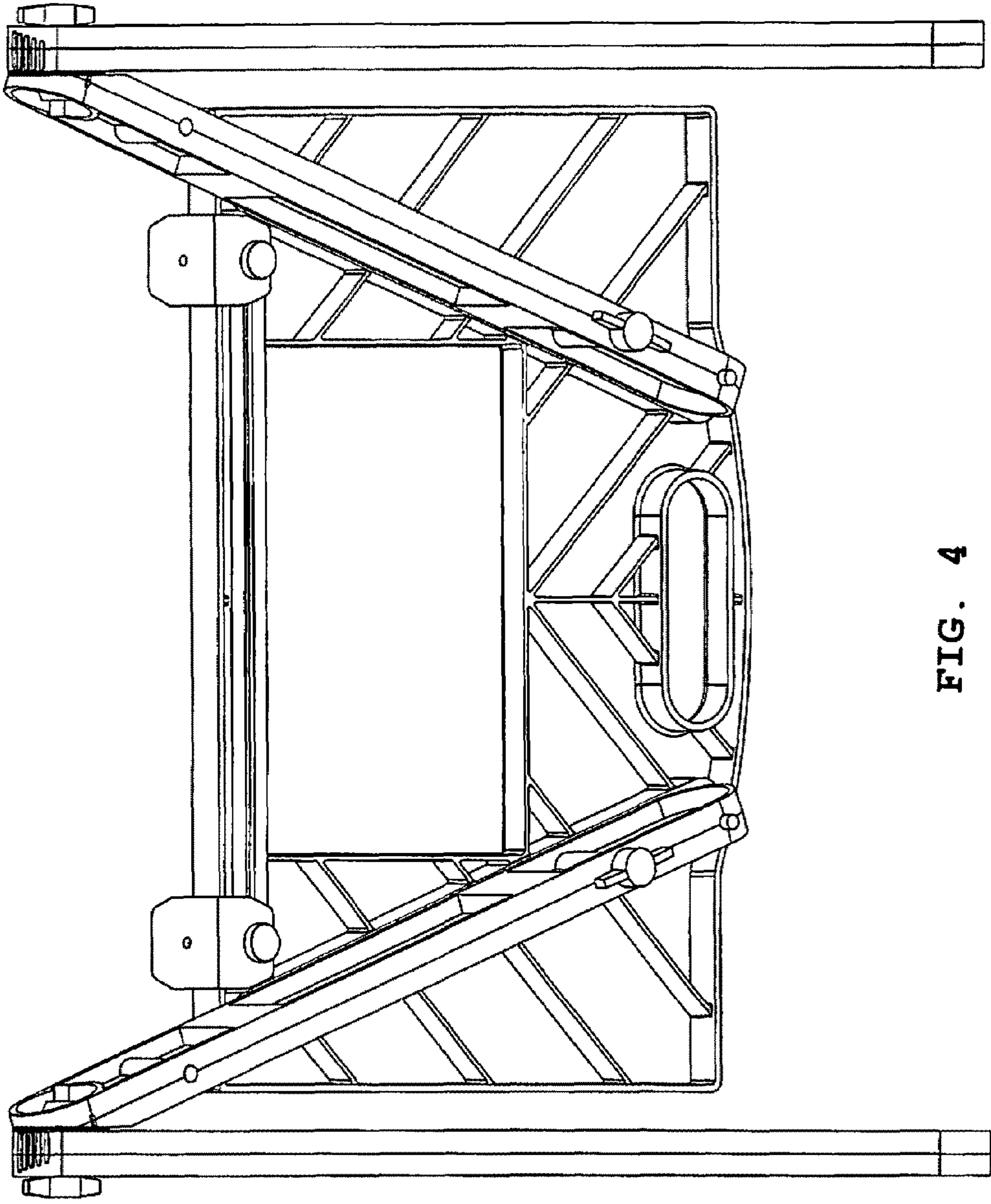


FIG. 4

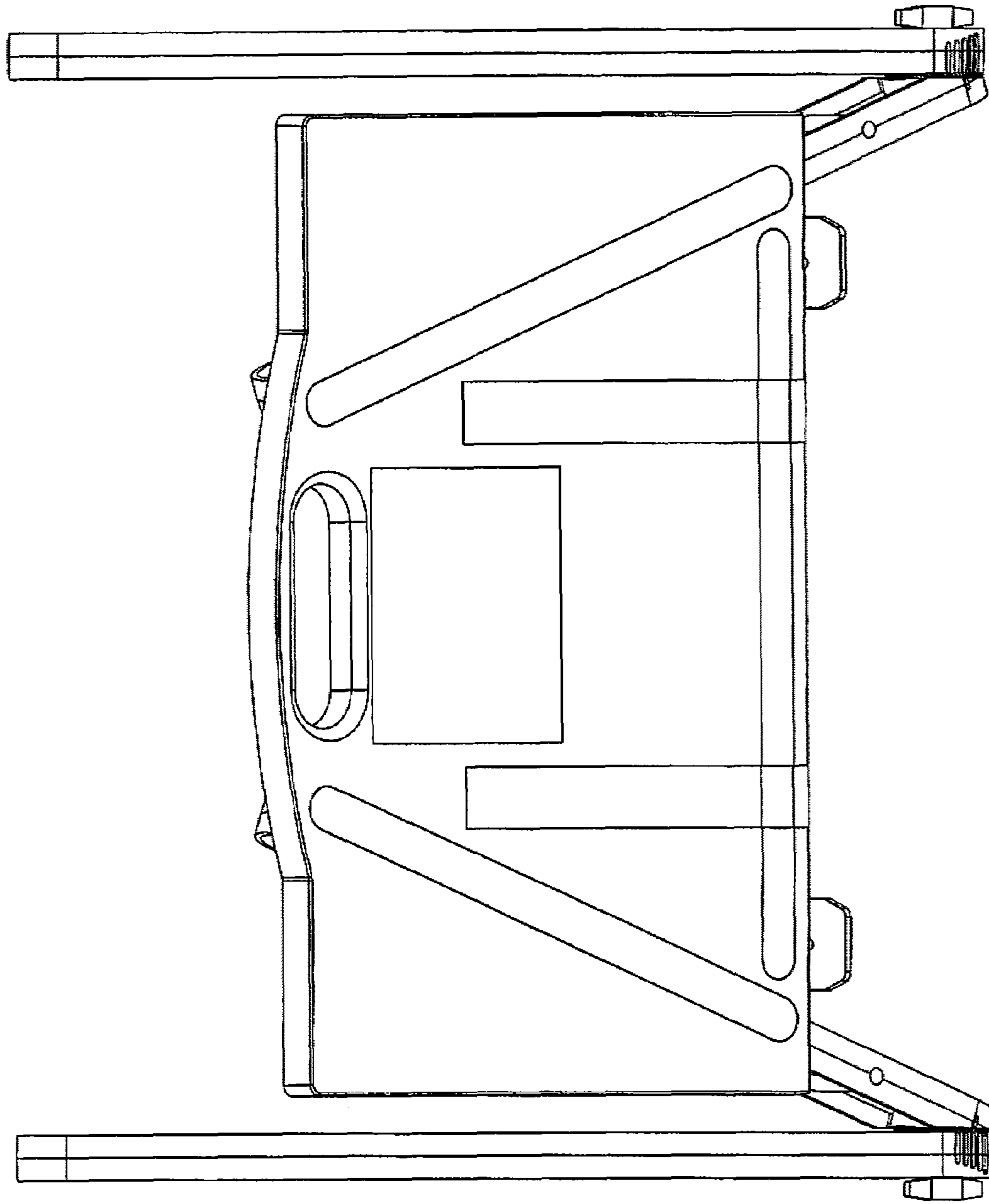


FIG. 5

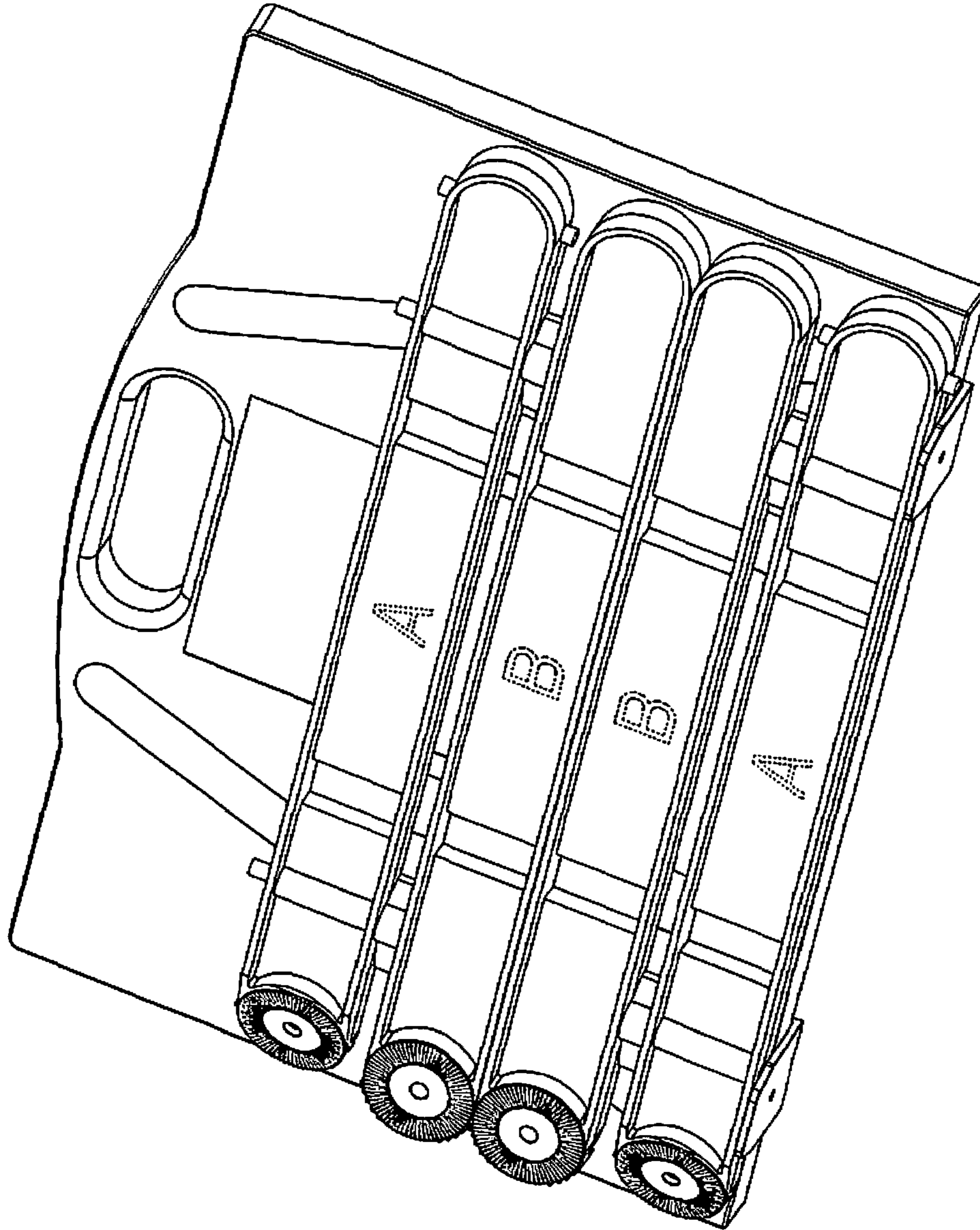


FIG. 6

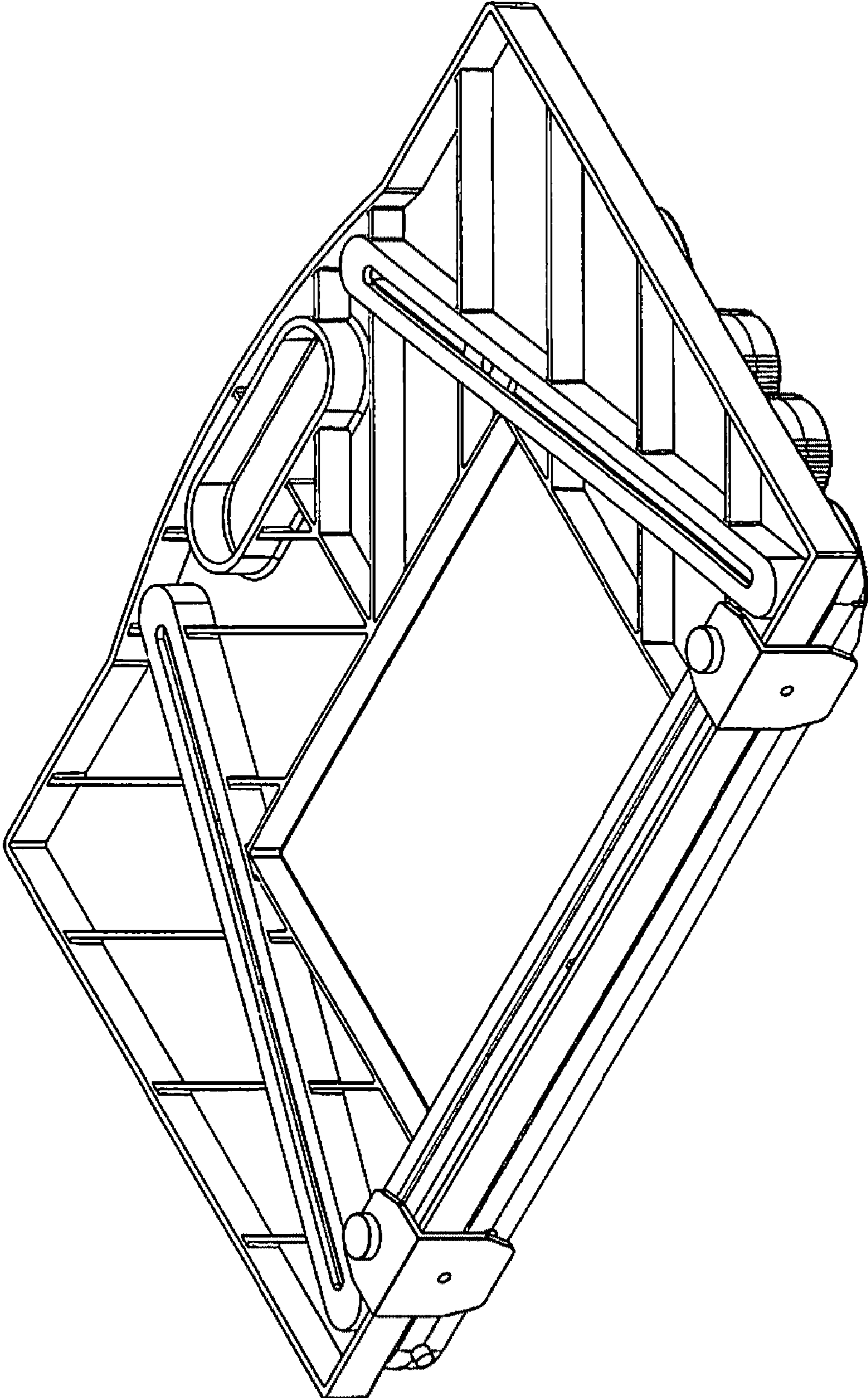


FIG. 7

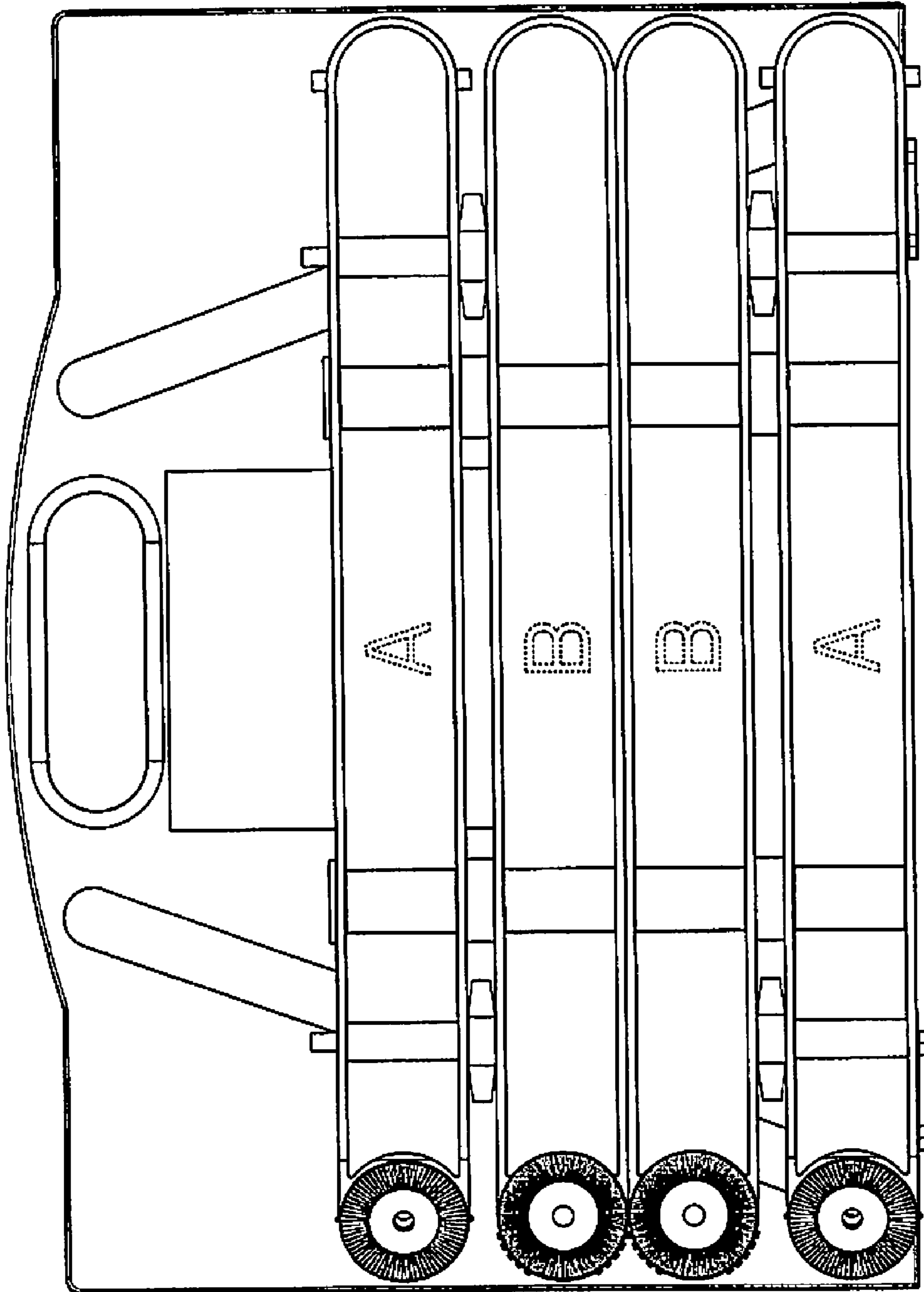


FIG. 8

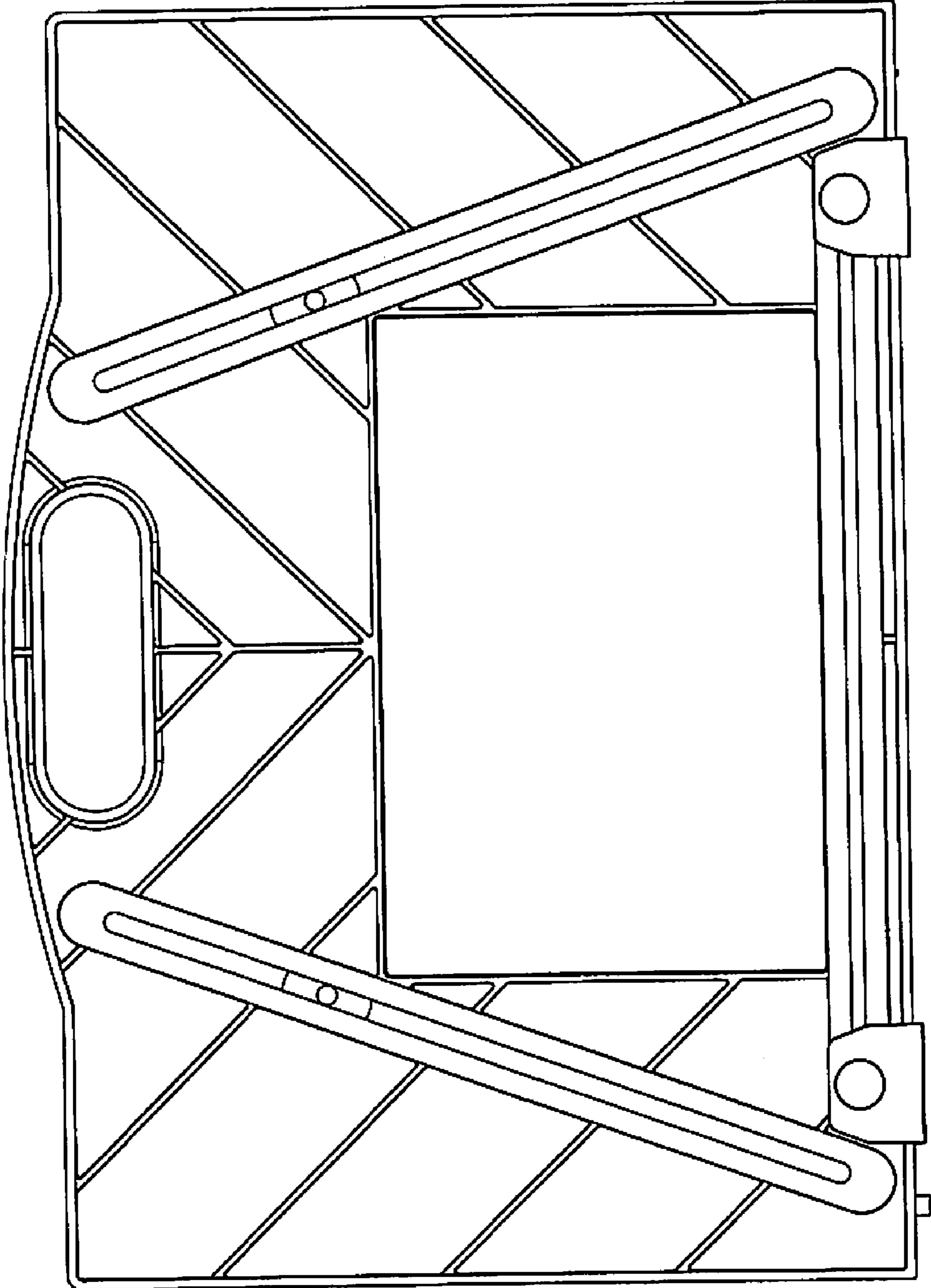


FIG. 9

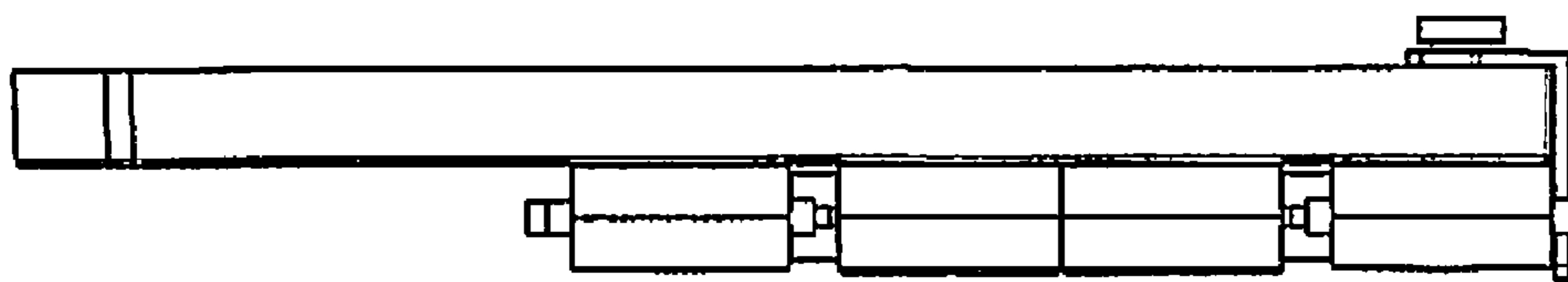


FIG. 10

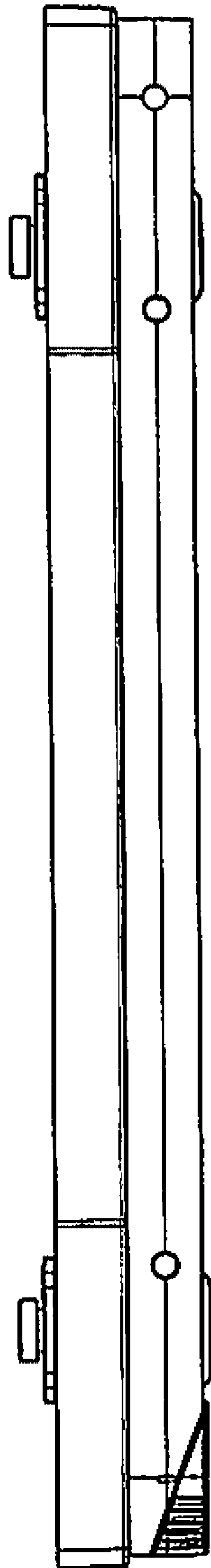


FIG. 11