



US00D596186S

(12) **United States Design Patent**  
**Sempliner et al.**

(10) **Patent No.:** **US D596,186 S**  
(45) **Date of Patent:** **\*\* Jul. 14, 2009**

(54) **BLANKING PANEL**

(75) Inventors: **Arthur T. Sempliner**, Douglaston, NY (US); **Berkeley T. Merchant**, Santa Fe, NM (US)

(73) Assignee: **Upsite Technologies, Inc.**, Santa Fe, NM (US)

(\*\*) Term: **14 Years**

(21) Appl. No.: **29/318,571**

(22) Filed: **May 22, 2008**

**Related U.S. Application Data**

(62) Division of application No. 29/296,991, filed on Nov. 1, 2007, now Pat. No. Des. 577,360.

(51) **LOC (9) Cl.** ..... **14-02**

(52) **U.S. Cl.** ..... **D14/441; D13/184**

(58) **Field of Classification Search** ..... D14/311, D14/313, 440, 441, 445, 443, 140.4, 410.3, D14/450, 188, 204, 214, 219, 257, 299; D13/184, D13/199, 179, 156; 211/26; 361/687  
See application file for complete search history.

(56) **References Cited**

**U.S. PATENT DOCUMENTS**

D360,633	S	7/1995	Carlson, Jr.	
5,708,912	A *	1/1998	Lee	399/24
6,281,433	B1	8/2001	Decker et al.	
6,349,837	B1 *	2/2002	Serban	211/26
D460,963	S	7/2002	Mautz et al.	
D469,778	S	2/2003	Mautz et al.	
6,628,518	B2 *	9/2003	Behl et al.	361/687
6,675,976	B2 *	1/2004	Steinman et al.	211/26
6,719,149	B2 *	4/2004	Tomino	211/26

6,924,977	B2	8/2005	Bestwick et al.	
D515,095	S	2/2006	Breitbarth et al.	
D555,159	S *	11/2007	Cox et al.	D14/439
D564,522	S *	3/2008	Kacin et al.	D14/441
2006/0081545	A1	4/2006	Rasmussen et al.	

**OTHER PUBLICATIONS**

APC Airflow Management Blanking Panel Installation.  
APC Airflow Management Blanking Panels.  
APC AR8136BLK Blanking Panel Image.  
APC 1U 19-Inch Black Modular Toolless Airflow Management Blanking Panel Mechanical.

\* cited by examiner

*Primary Examiner*—T. Chase Nelson

*Assistant Examiner*—Ania K Dworzecka

(74) *Attorney, Agent, or Firm*—St. Onge Steward Johnston & Reens LLC

(57) **CLAIM**

The ornamental design for a blanking panel, as shown and described.

**DESCRIPTION**

FIG. 1 is a perspective view of the blanking panel of the invention;

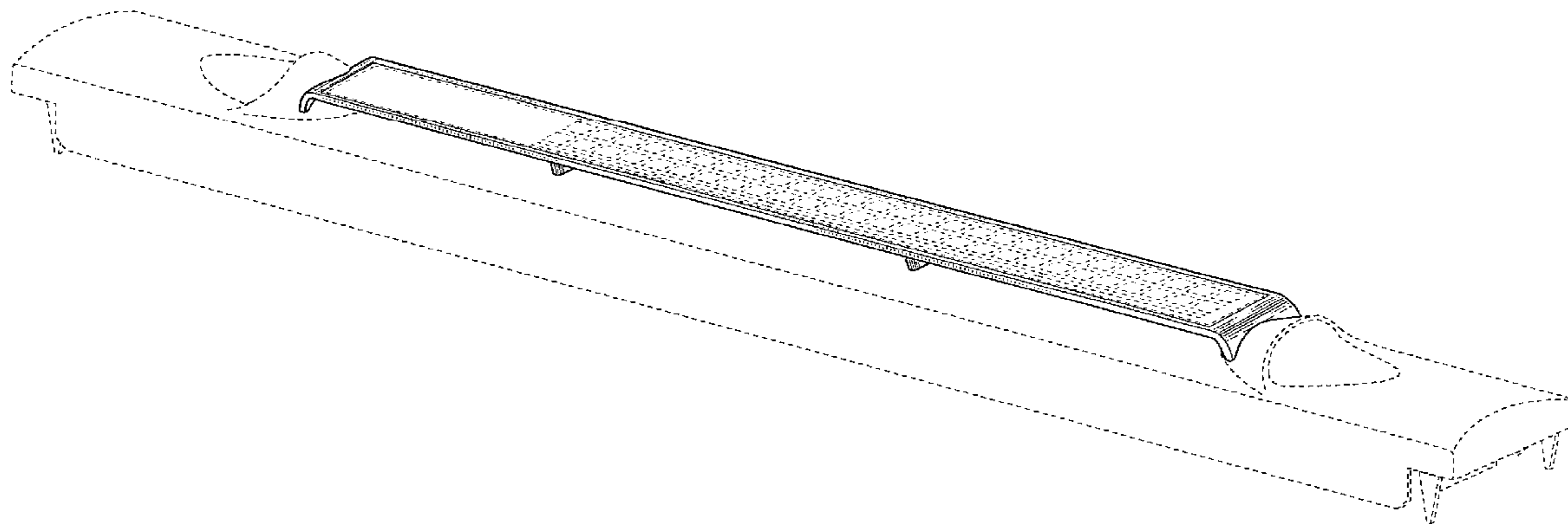
FIG. 2 is a front elevation view of the blanking panel of FIG. 1;

FIG. 3 is a bottom plan view of the blanking panel of FIG. 1; the top being identical; and,

FIG. 4 is an end elevation view of the blanking panel of FIG. 1, the other end being identical.

The rear forms no part of the claimed design. The broken lines are intended to show environmental structure and form no part of the claimed design.

**1 Claim, 2 Drawing Sheets**



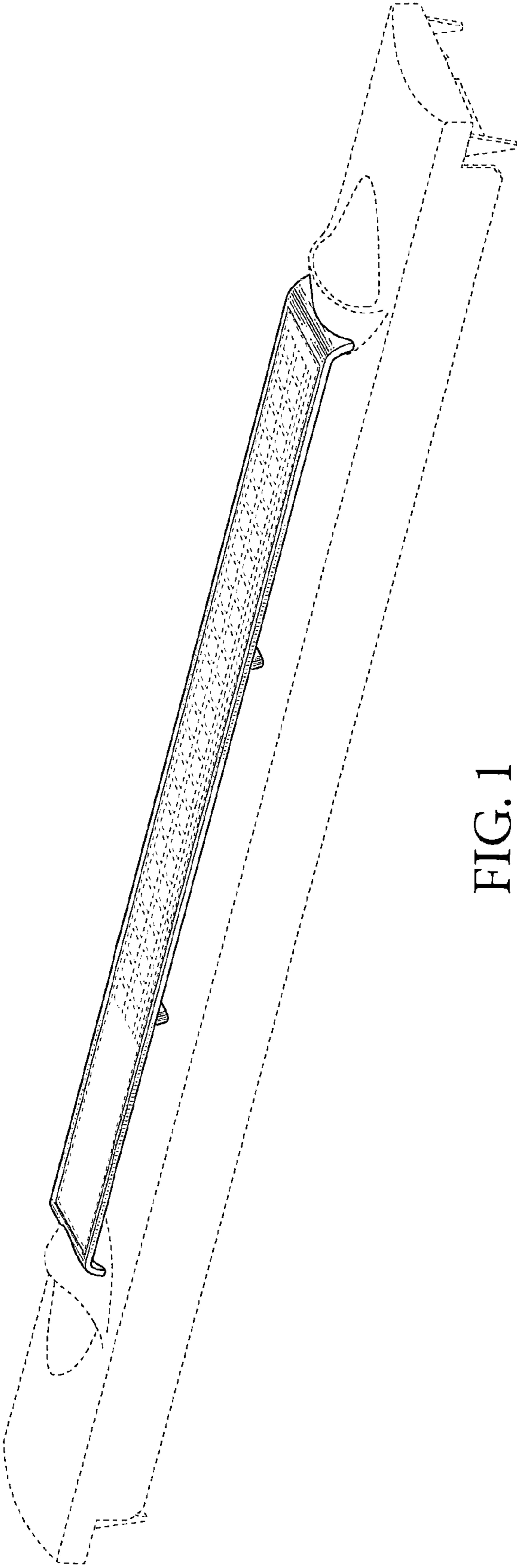


FIG. 1

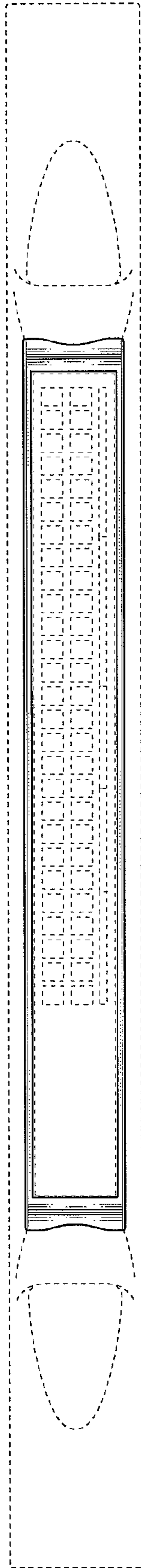


FIG. 2

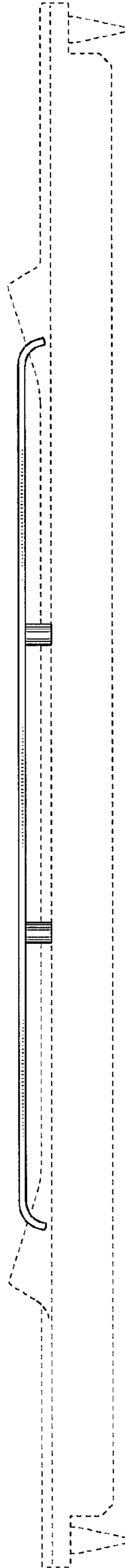


FIG. 3

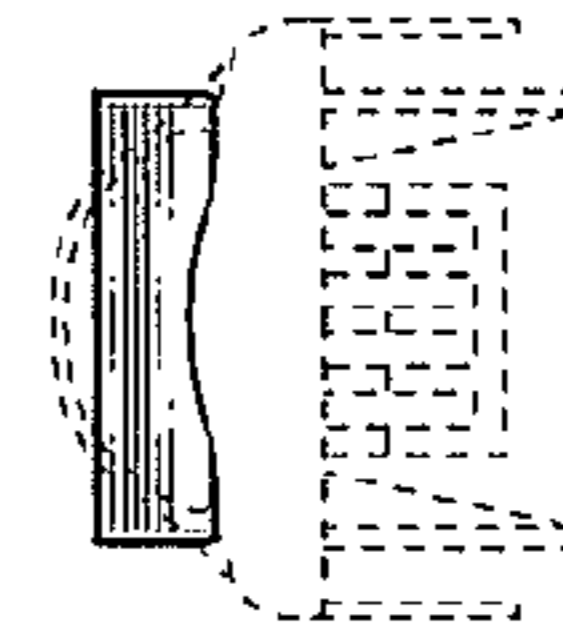


FIG. 4