



US00D596177S

(12) **United States Design Patent**  
**Steele et al.**

(10) **Patent No.:** **US D596,177 S**

(45) **Date of Patent:** **\*\* Jul. 14, 2009**

(54) **BASE STATION**

(75) Inventors: **Susan S. Steele**, Atlanta, GA (US);  
**Tyler Wallis**, San Antonio, TX (US);  
**Jerry O’Leary**, Chicago, IL (US)

(73) Assignee: **AT&T Intellectual Property I, L.P.**,  
Reno, NV (US)

(\*\*) Term: **14 Years**

(21) Appl. No.: **29/302,372**

(22) Filed: **Jan. 15, 2008**

**Related U.S. Application Data**

(63) Continuation of application No. 29/281,640, filed on  
Jun. 27, 2007, now abandoned.

(51) **LOC (9) Cl.** ..... **14-02**

(52) **U.S. Cl.** ..... **D14/358**

(58) **Field of Classification Search** ..... D14/356,  
D14/358, 432, 433, 137, 138, 140, 155, 188,  
D14/217, 240, 299, 191; D13/110, 184;  
439/488, 490, 901; 379/1.03, 38, 39, 42,  
379/67.1, 88.17, 90.01, 93.01, 93.17, 142.07,  
379/219, 220.01, 221.14, 221.15, 387.01,  
379/397, 399.01, 419, 428.01, 457; 455/3.01,  
455/3.05, 3.06, 426.1, 500, 73, 74, 556.1,  
455/561, 575.1, 89, 91, 95, 130, 132, 344,  
455/347, 899, FOR. 254

See application file for complete search history.

(56) **References Cited**

U.S. PATENT DOCUMENTS

D490,424	S	*	5/2004	Yamanashi	.....	D14/358
D520,500	S	*	5/2006	Storti et al.	.....	D14/358
D520,503	S	*	5/2006	Shimizu	.....	D14/358
D561,750	S	*	2/2008	Liu et al.	.....	D14/358
D562,814	S	*	2/2008	Liu et al.	.....	D14/358
D566,115	S	*	4/2008	Swanson et al.	.....	D14/358
D580,422	S	*	11/2008	Lee	.....	D14/358
D583,367	S	*	12/2008	Chen	.....	D14/358

\* cited by examiner

*Primary Examiner*—Brian N Vinson

(57) **CLAIM**

The ornamental design for a base station, as shown and described.

**DESCRIPTION**

FIG. 1 is a perspective view of a base station showing our new design;

FIG. 2 is a top view thereof;

FIG. 3 is a rear view thereof;

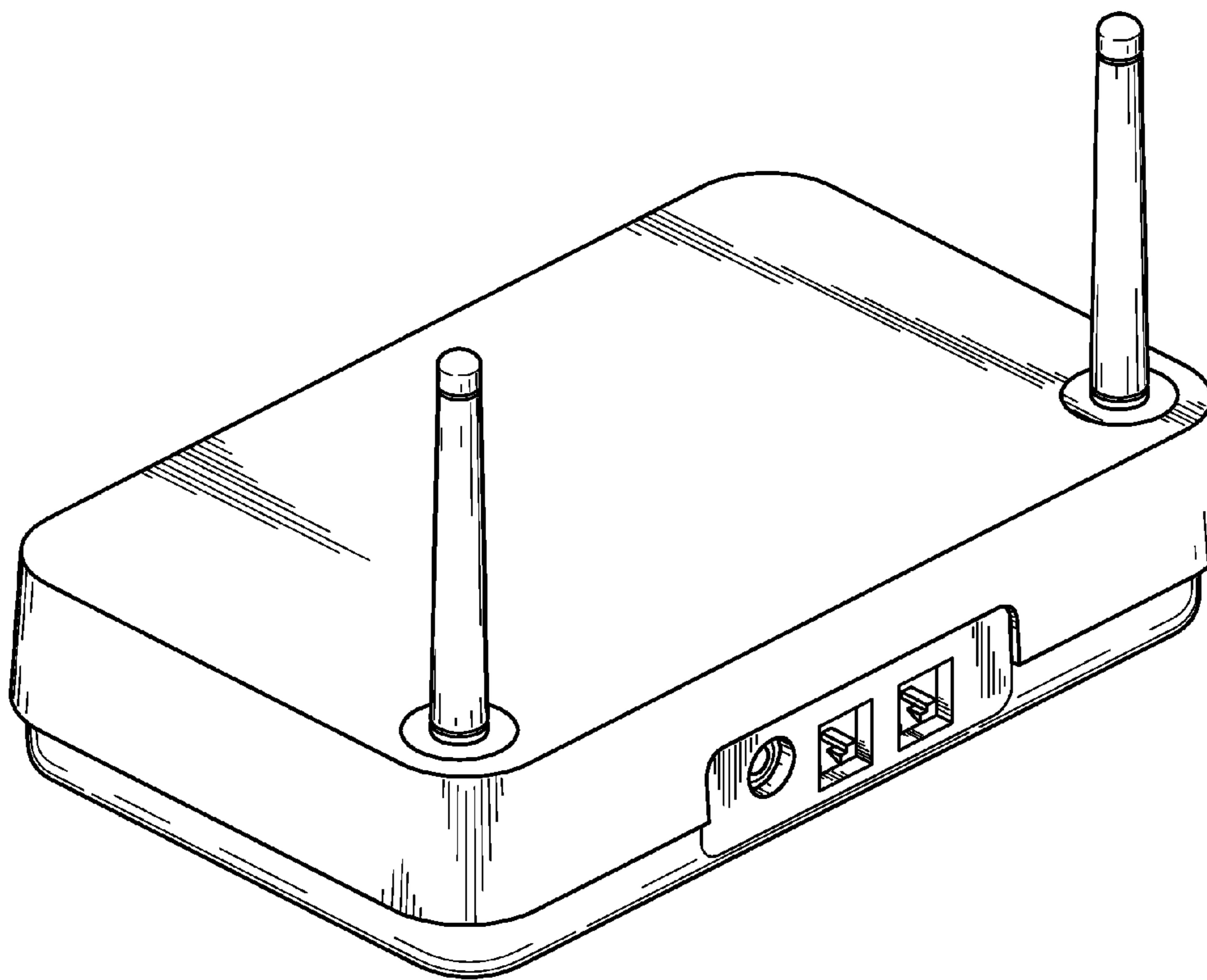
FIG. 4 is a bottom view thereof;

FIG. 5 is a front view thereof;

FIG. 6 is a left side view thereof; and,

FIG. 7 is a right side view thereof.

**1 Claim, 7 Drawing Sheets**



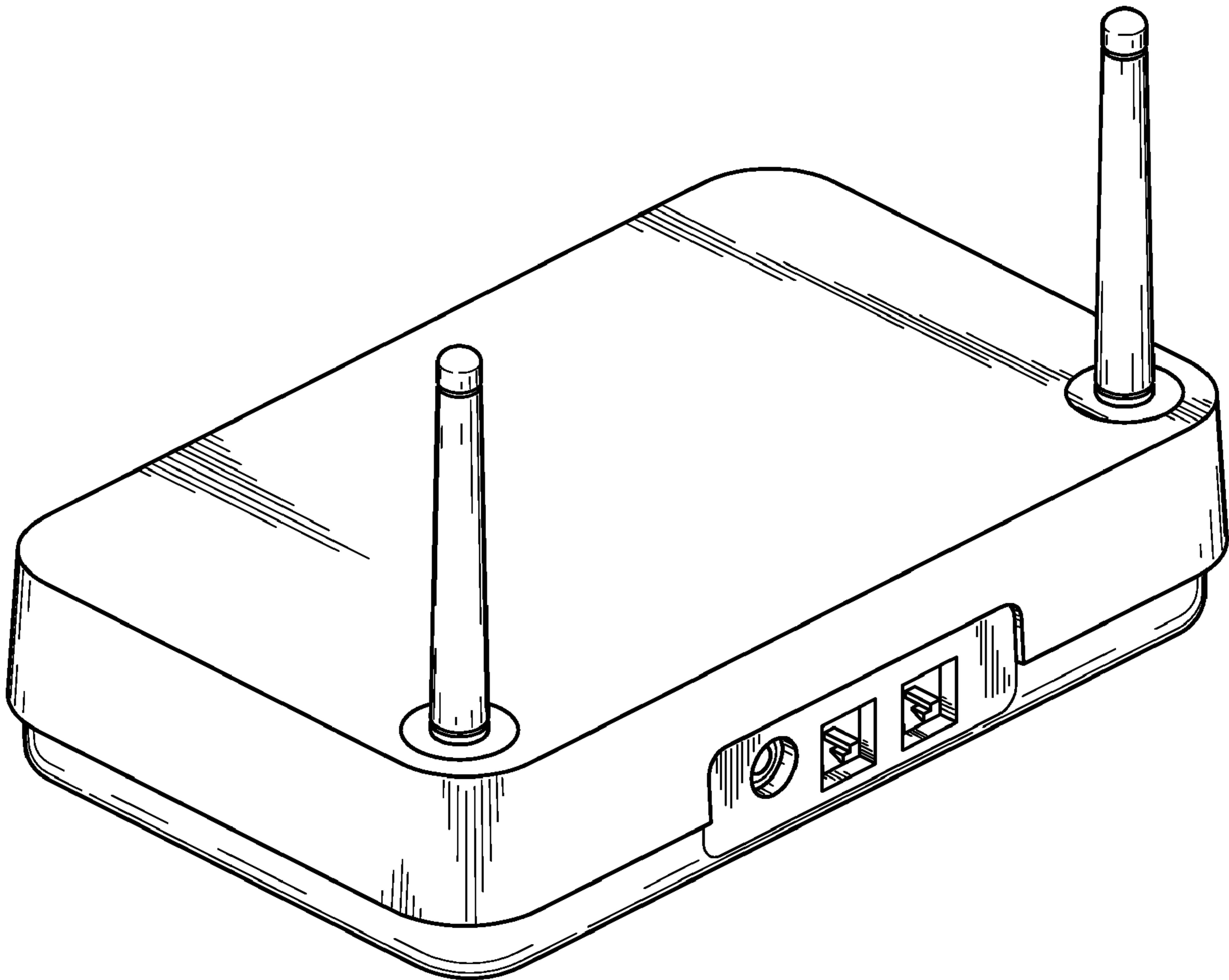


FIGURE 1

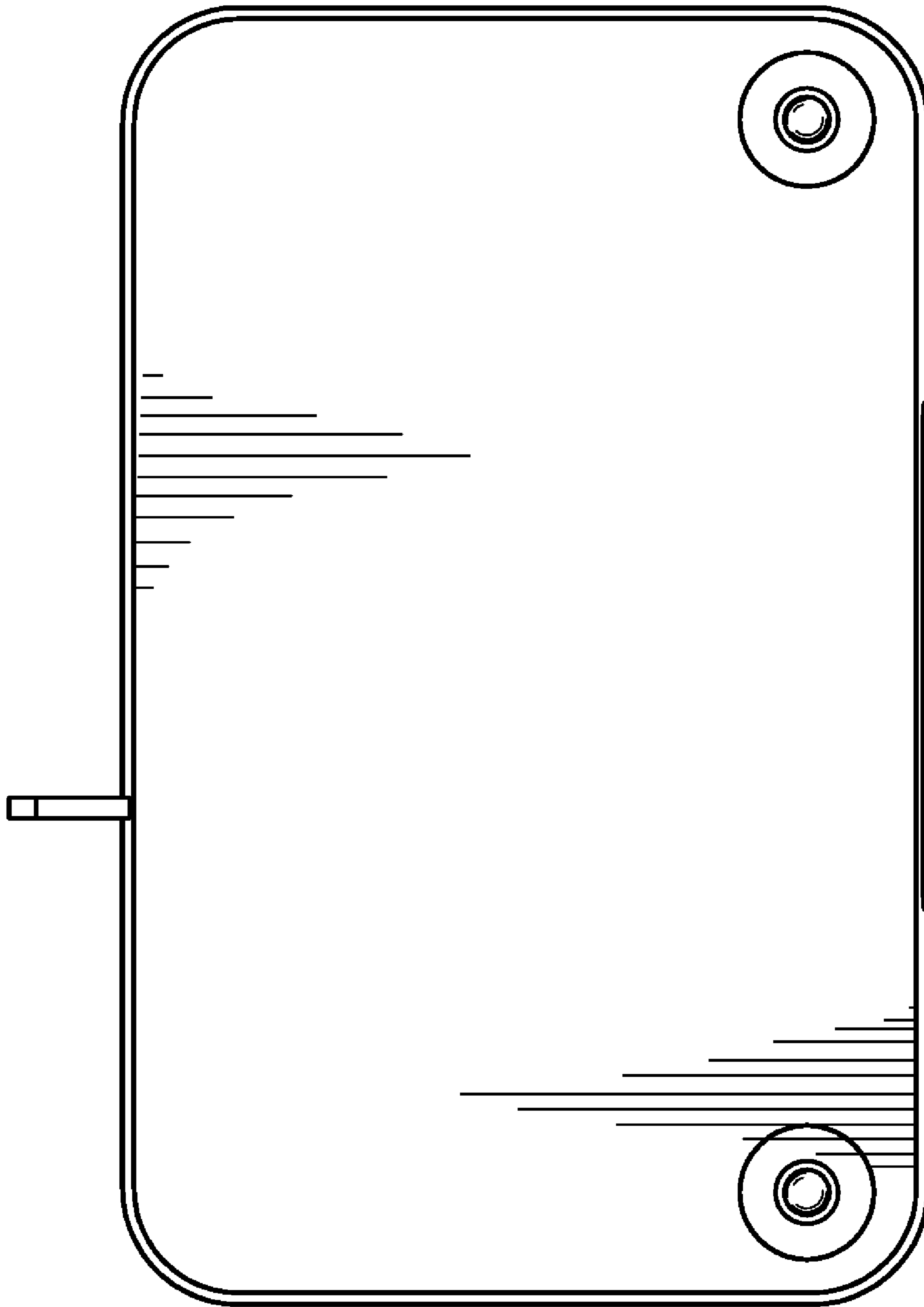


FIGURE 2

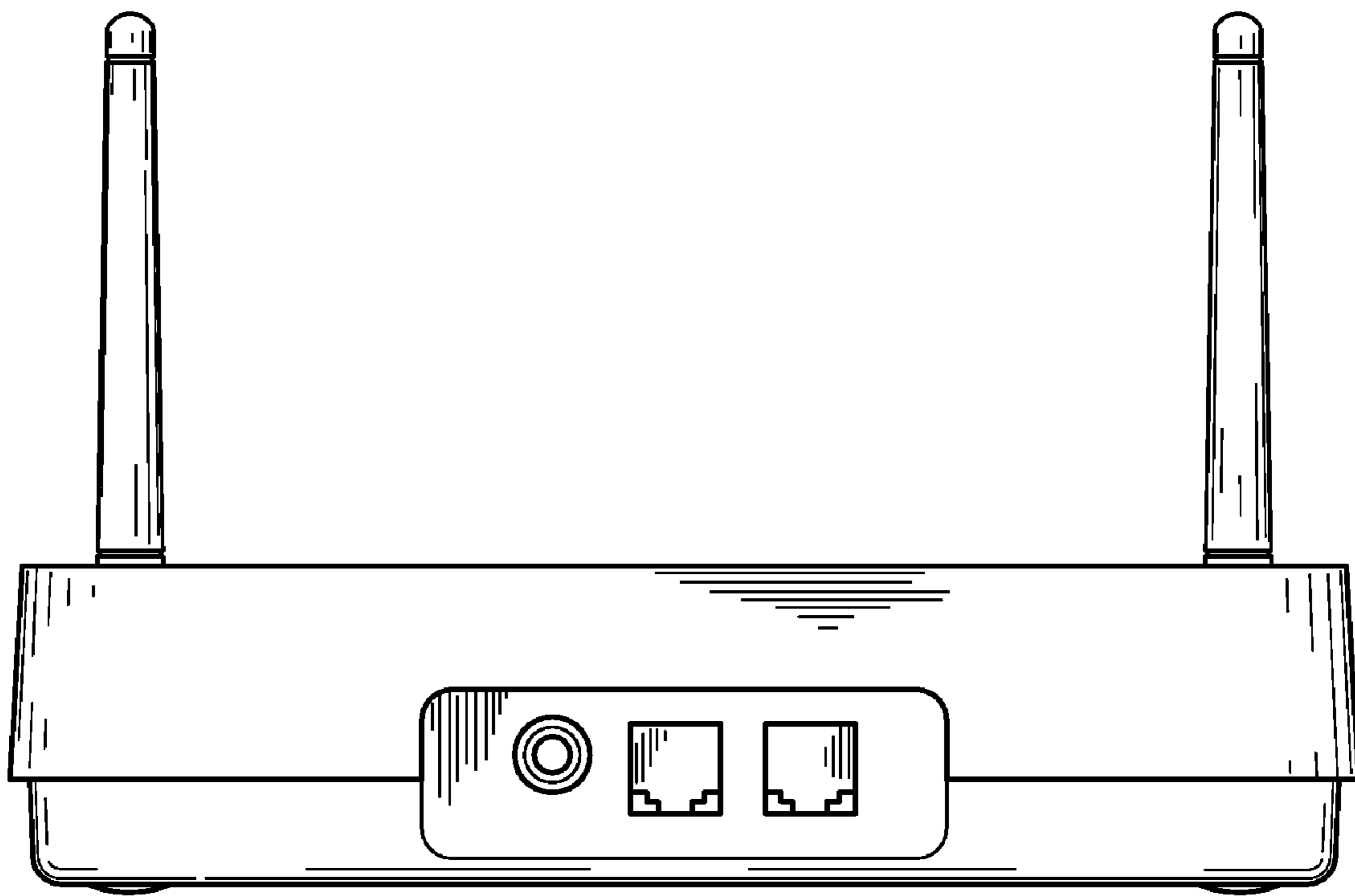


FIGURE 3

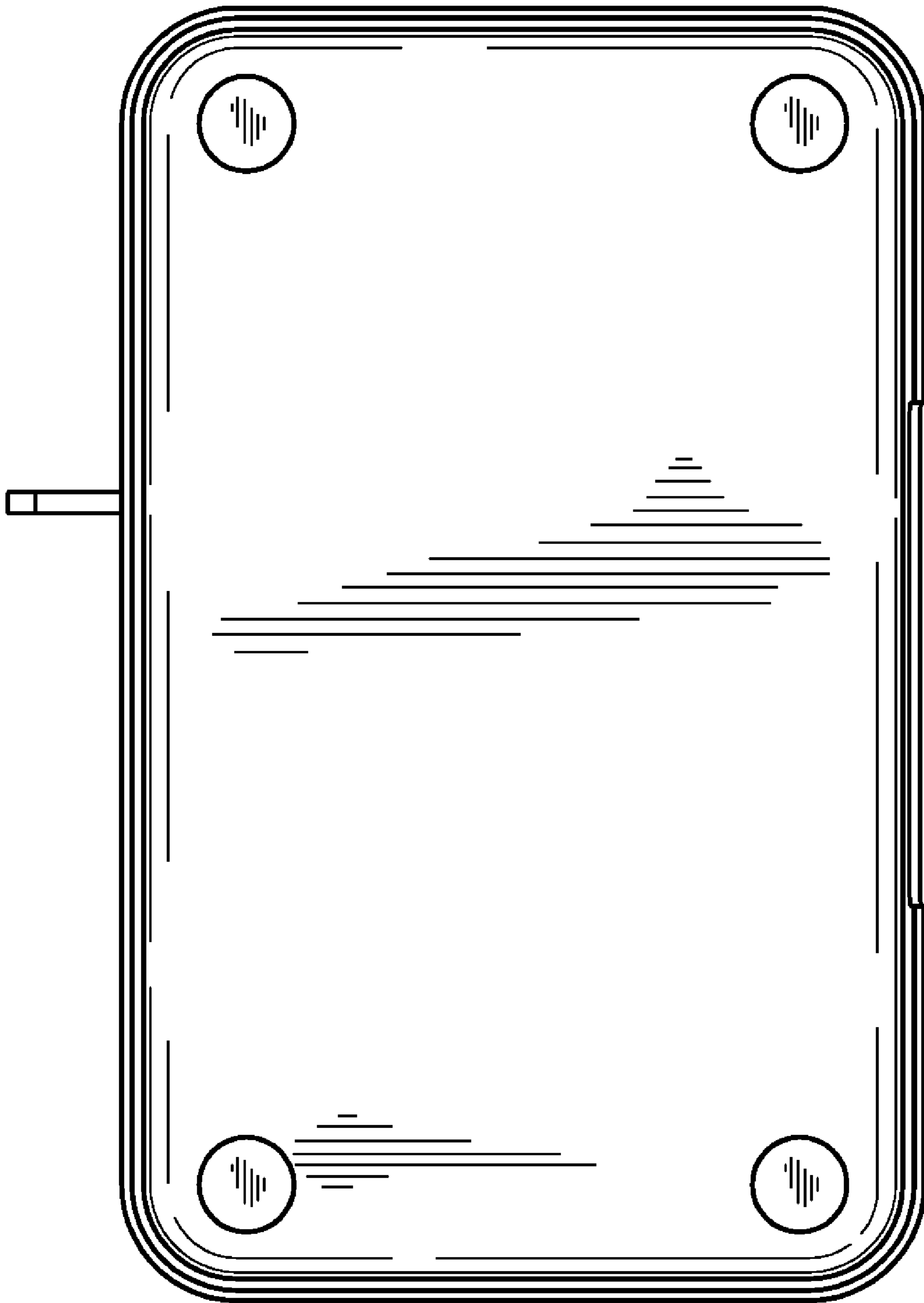


FIGURE 4

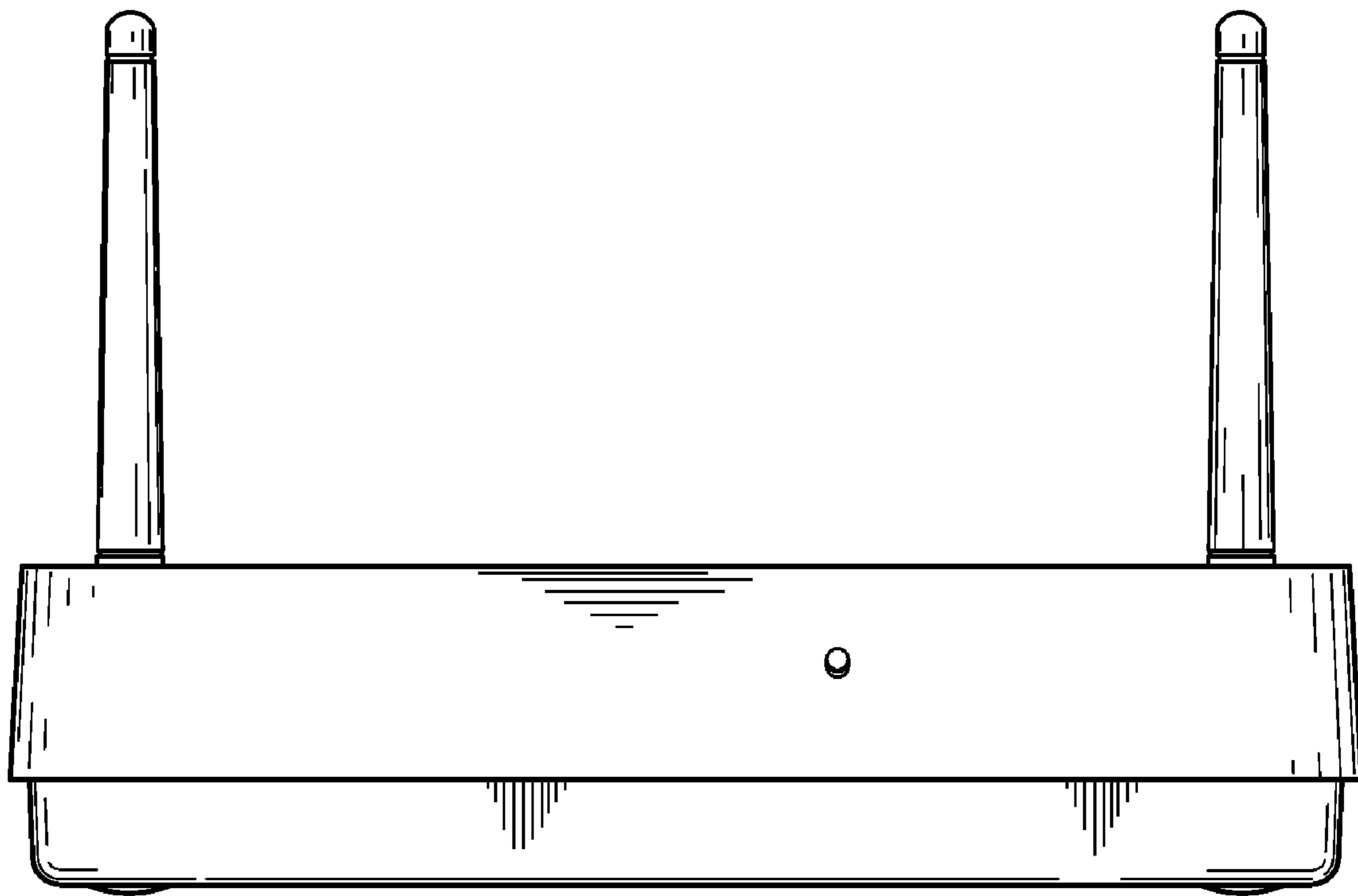


FIGURE 5

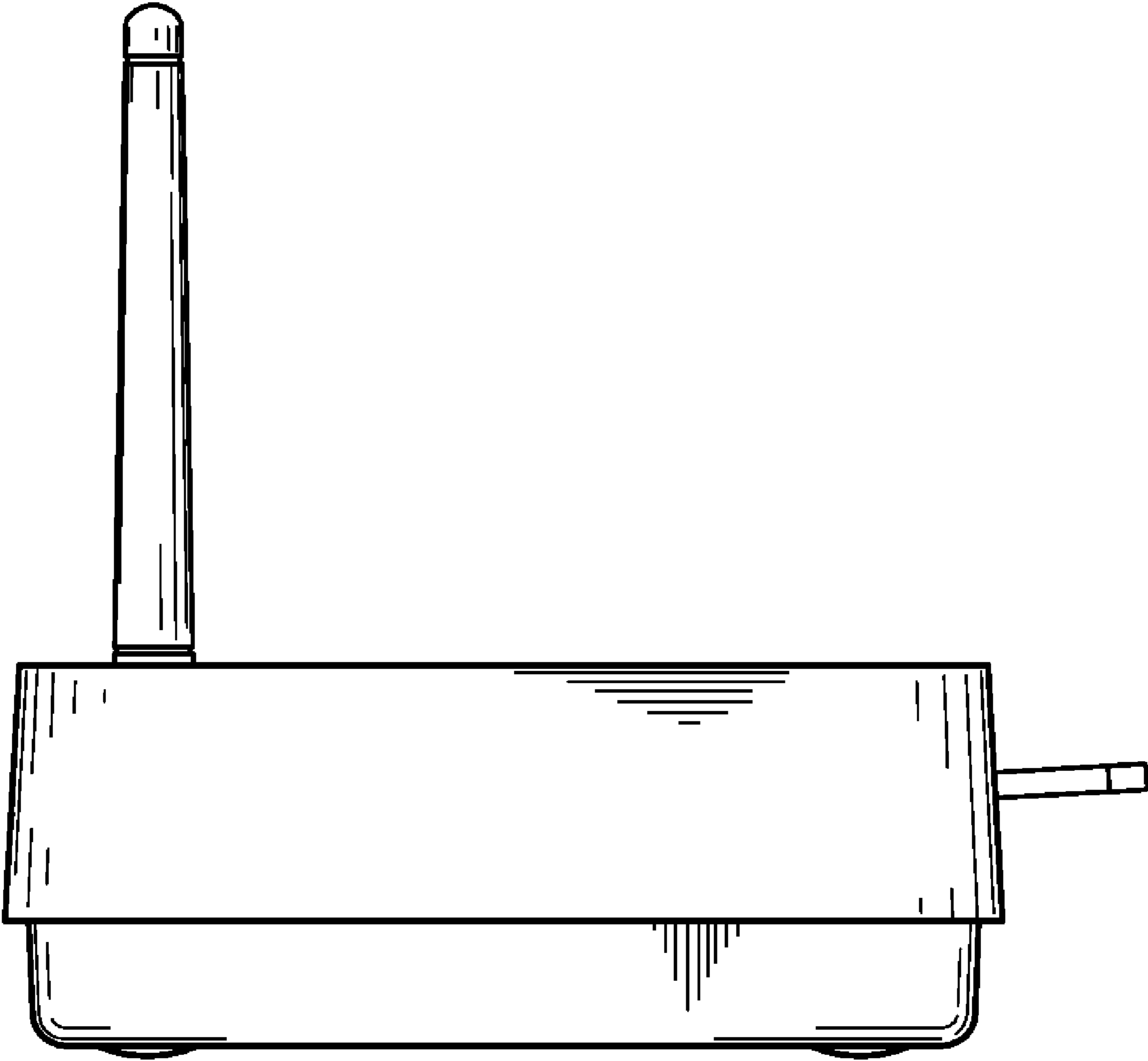


FIGURE 6

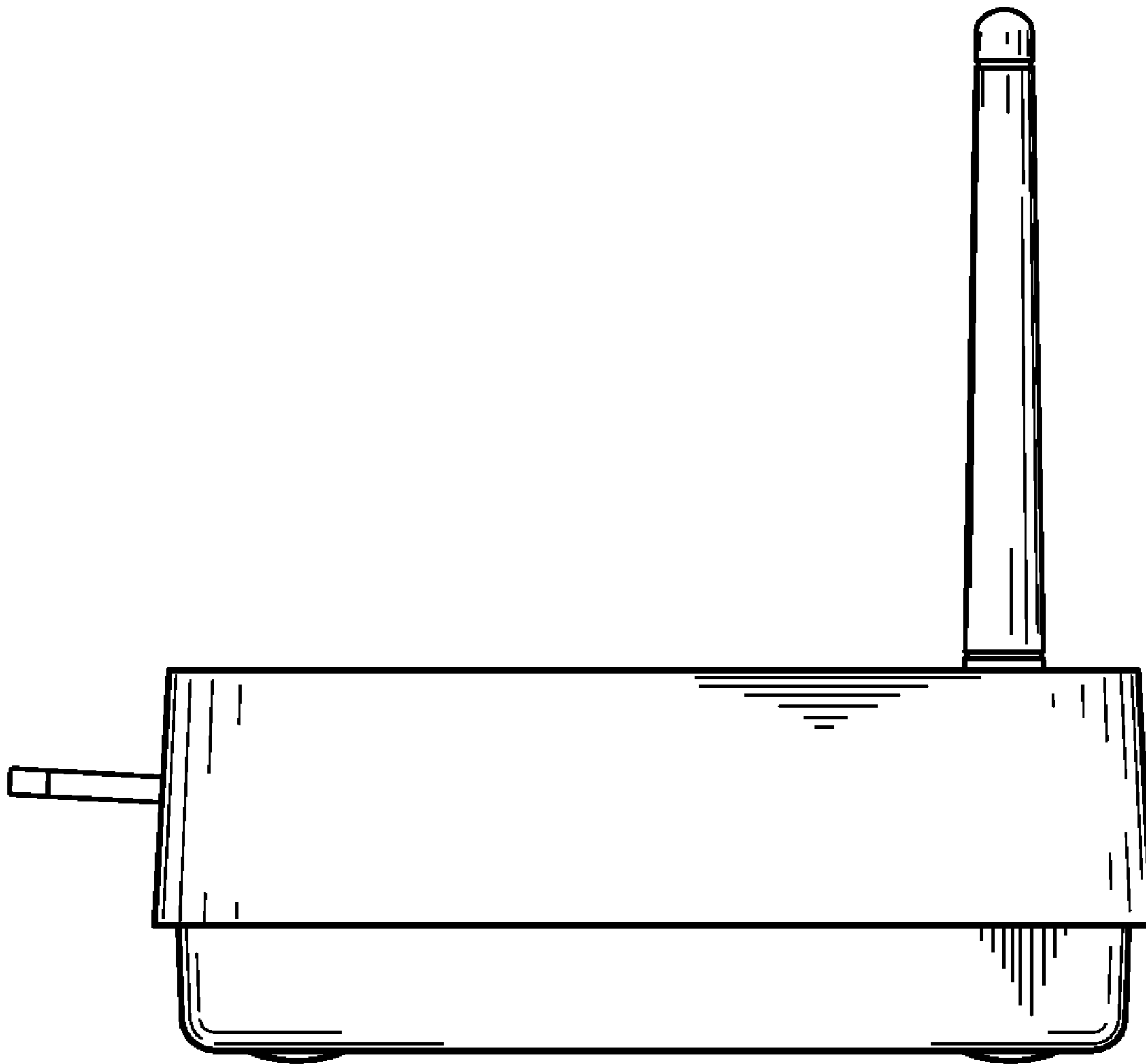


FIGURE 7