



US00D596175S

(12) **United States Design Patent**
Viertola et al.

(10) **Patent No.:** **US D596,175 S**
(45) **Date of Patent:** **** Jul. 14, 2009**

(54) **COMPUTER SCREEN AND CASING FOR DATA PROCESSING EQUIPMENT**

2006/0238529 A1* 10/2006 Lavelle et al. 345/204
* cited by examiner

(75) Inventors: **Visa Panu Pallervo Viertola**, Seinäjoki (FI); **Jukka Pekka Antero Ohtonen**, Kajaani (FI); **Janne Haveri**, Seinäjoki (FI)

Primary Examiner—Freda S Nunn
(74) *Attorney, Agent, or Firm*—Nixon & Vanderhye, P.C.

(73) Assignee: **Epec Oy**, Seinajokil (FI)

(57) **CLAIM**

The ornamental design for a computer screen and casing for data processing equipment, as shown and described.

(**) Term: **14 Years**

(21) Appl. No.: **29/290,124**

(22) Filed: **Oct. 23, 2007**

(30) **Foreign Application Priority Data**

Apr. 23, 2007 (EM) 000714514-0001
Apr. 23, 2007 (EM) 000714514-0002

(51) **LOC (9) Cl.** **14-02**

(52) **U.S. Cl.** **D14/314; D14/371**

(58) **Field of Classification Search** D14/314,
D14/320, 331–337, 339, 341, 371, 126–129,
D14/356; D19/59, 60; 345/104, 156, 168,
345/169, 173, 1.1, 157, 204; 341/22, 23;
361/680–686; 348/837; 248/291.1; D18/12.2
See application file for complete search history.

(56) **References Cited**

U.S. PATENT DOCUMENTS

| | | | | |
|----------------|---------|-----------------|-------|-----------|
| D311,907 S * | 11/1990 | Yoshihara | | D14/337 |
| D356,550 S * | 3/1995 | Mizusugi et al. | | D14/341 |
| D370,892 S * | 6/1996 | Shima et al. | | D14/314 |
| D422,622 S * | 4/2000 | Ono | | D18/12.2 |
| D438,204 S * | 2/2001 | Winkler | | D14/356 |
| 6,199,810 B1 * | 3/2001 | Wu et al. | | 248/291.1 |
| D462,347 S * | 9/2002 | Baldauf | | D14/314 |
| 6,947,280 B2 * | 9/2005 | Li | | 361/685 |
| D533,551 S * | 12/2006 | Smith et al. | | D14/341 |
| 7,145,769 B2 * | 12/2006 | Chen | | 361/681 |
| 7,164,578 B2 * | 1/2007 | Wang et al. | | 361/683 |
| D537,441 S * | 2/2007 | Bruker | | D14/341 |

DESCRIPTION

FIG. 1 is a perspective front, bottom and right side view of a computer screen showing our new design, the screen being shown separately for clarity of illustration only;

FIG. 2 is a perspective front, top and left side view thereof;

FIG. 3 is a front view thereof;

FIG. 4 is a rear view thereof;

FIG. 5 is a top view thereof;

FIG. 6 is a bottom view thereof;

FIG. 7 is a right side view thereof;

FIG. 8 is a left side view thereof

FIG. 9 is a perspective top, front and left side view of a casing thereof showing our new design the casing being shown separately for clarity of illustration only;

FIG. 10 is a top view thereof;

FIG. 11 is a front view thereof;

FIG. 12 is a left side view thereof;

FIG. 13 is a right side view thereof; is a bottom view thereof;

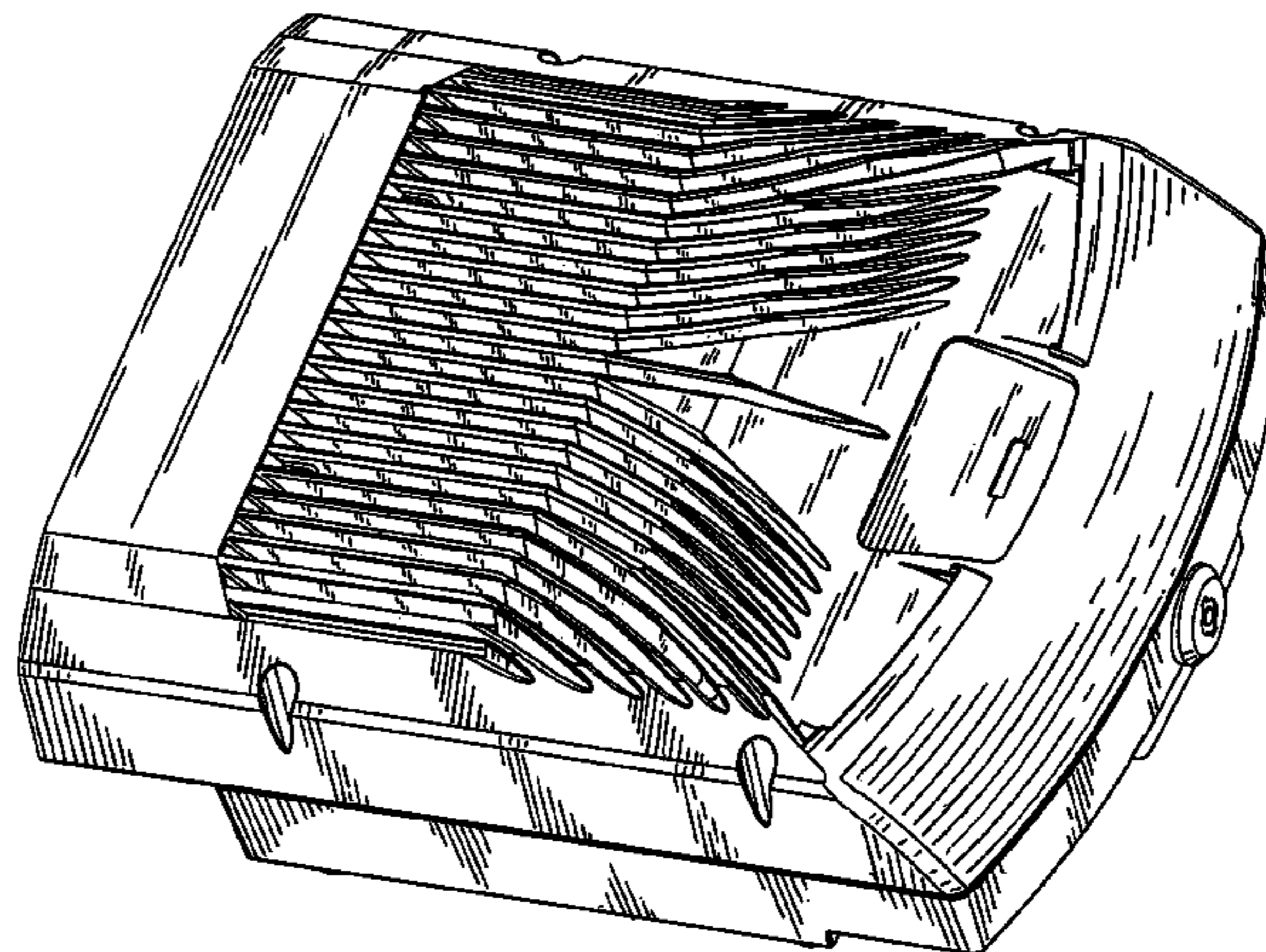
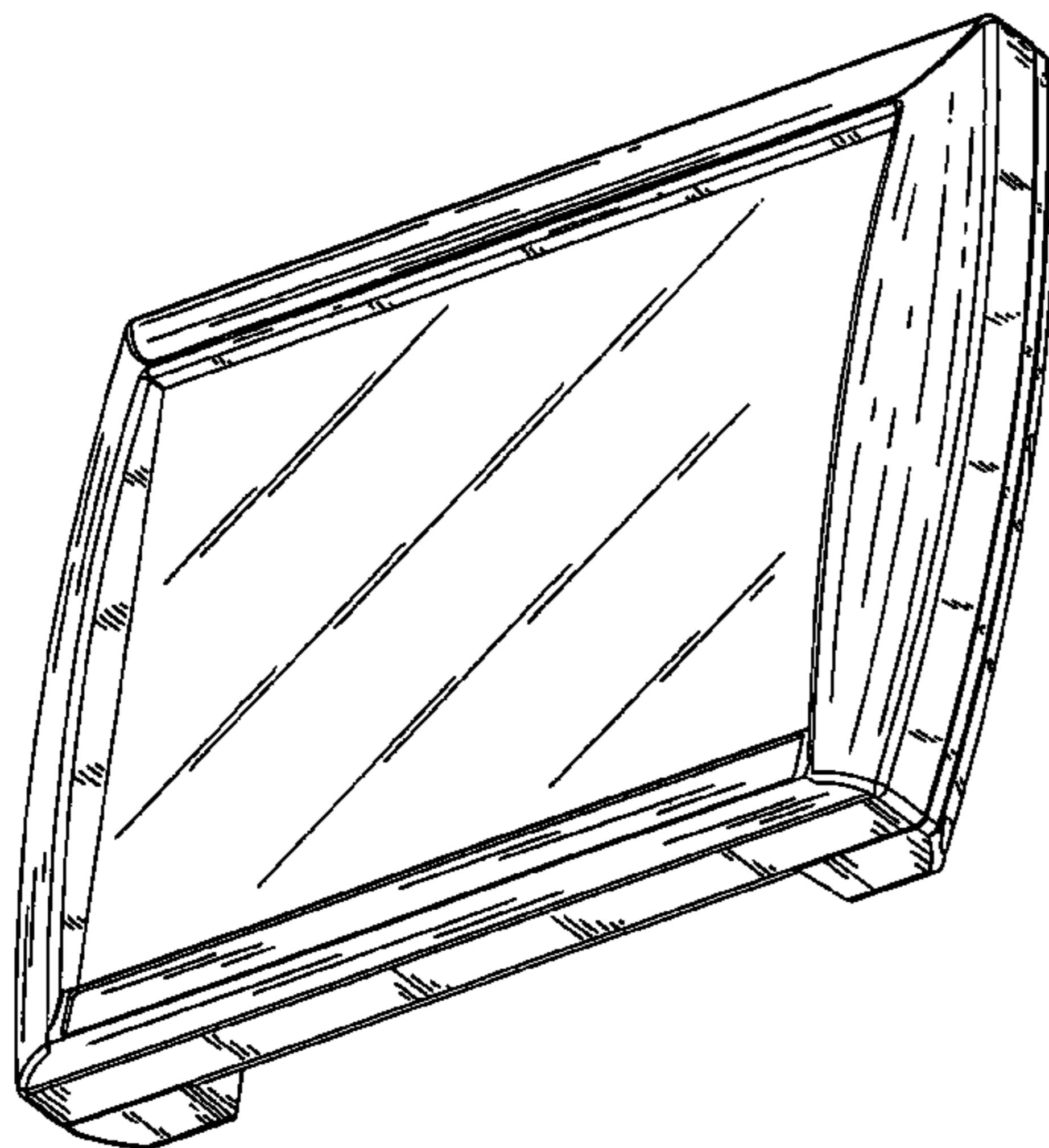
FIG. 14 is a bottom view thereof;

FIG. 15 is a perspective bottom, rear and right side view thereof; and,

FIG. 16 is a rear view thereof.

Broken lines shown in the drawings illustrate portions of the computer screen and casing, and form no part of the claimed design.

1 Claim, 16 Drawing Sheets



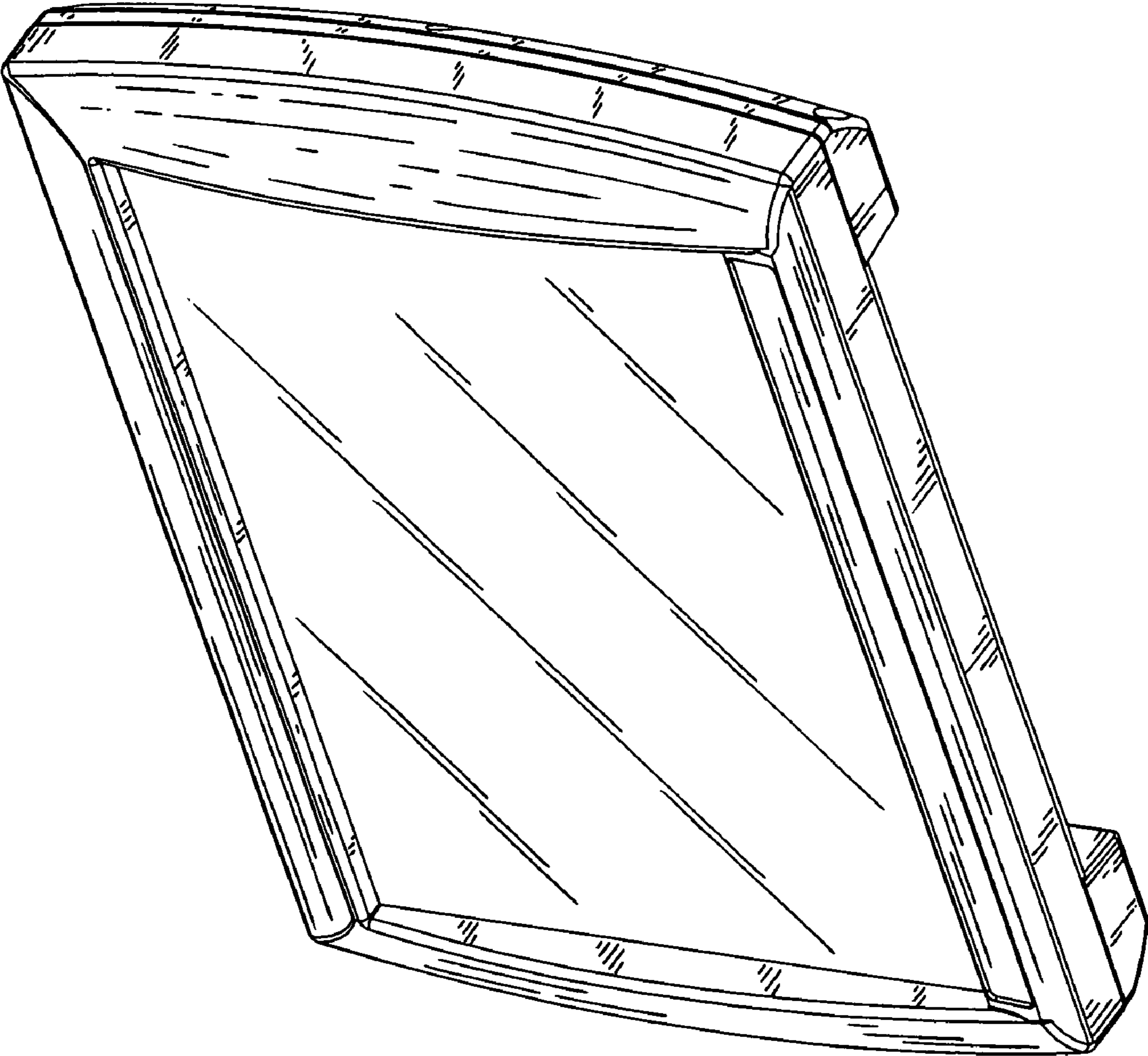


Fig. 1

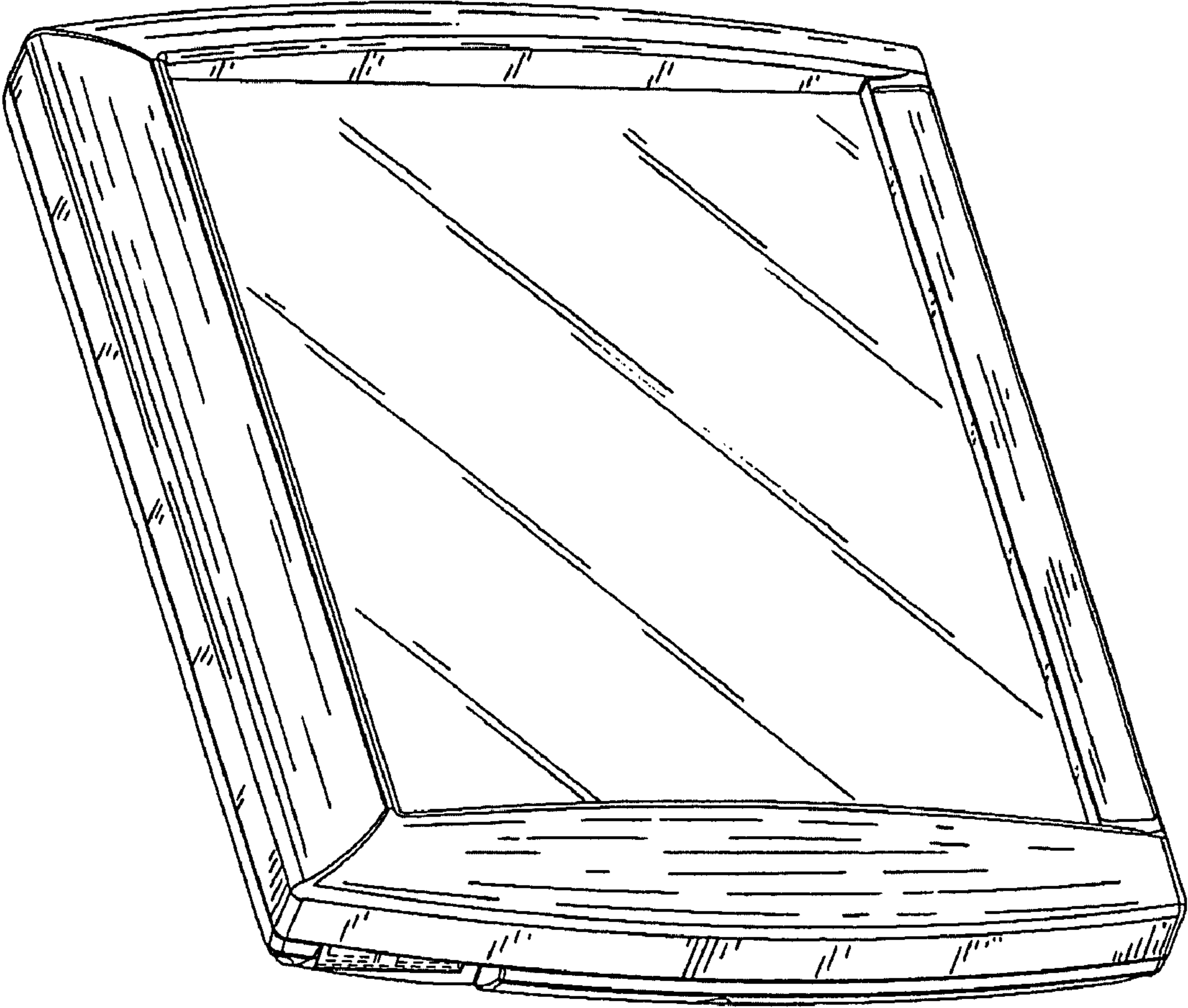


Fig. 2

Fig. 3

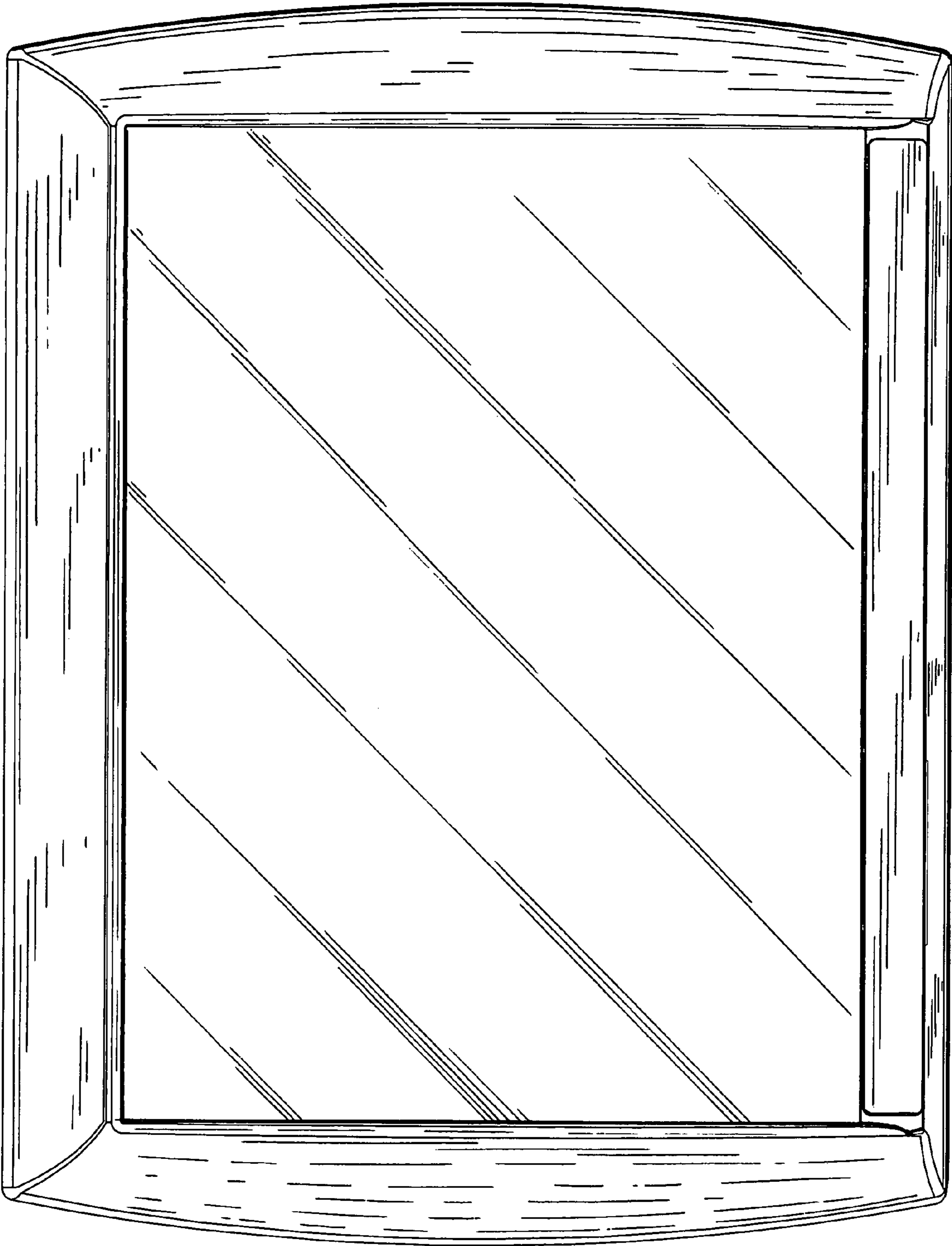
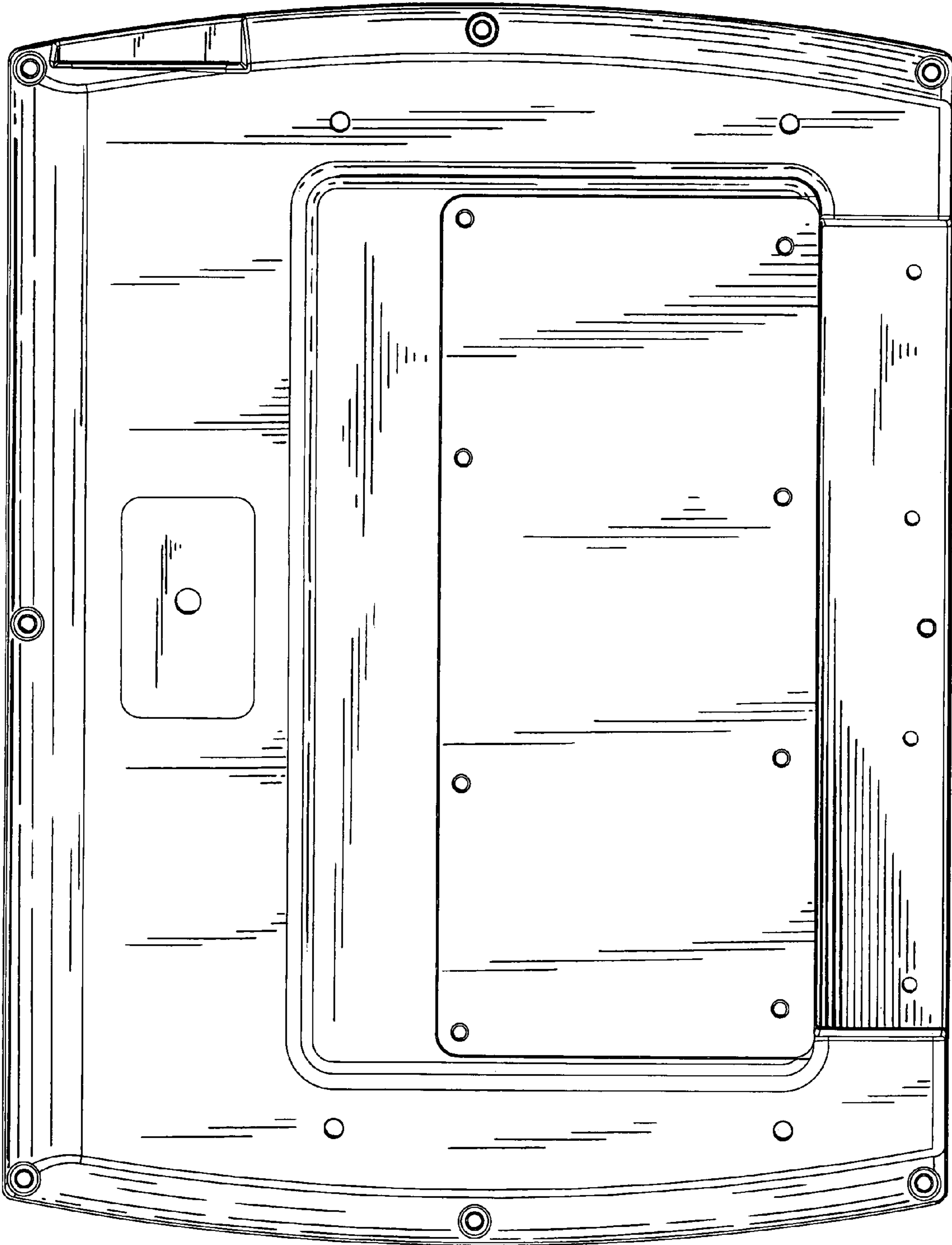


Fig. 4



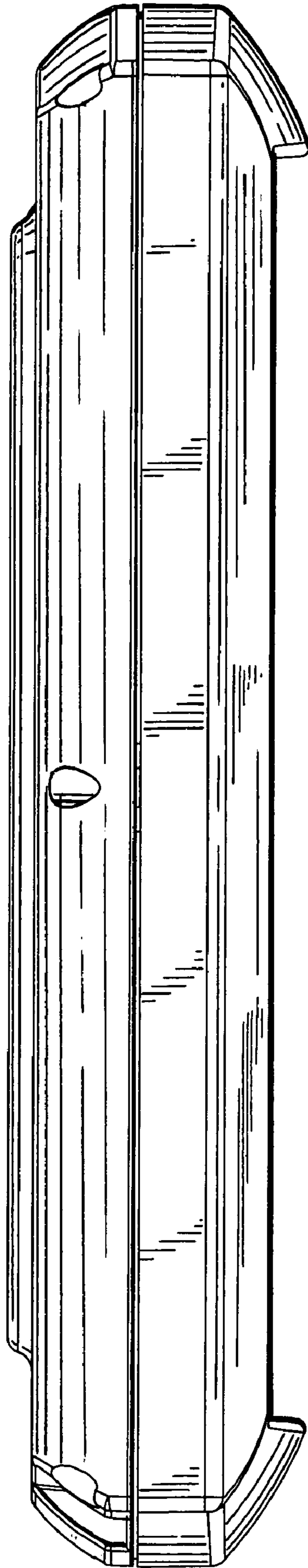


Fig. 5

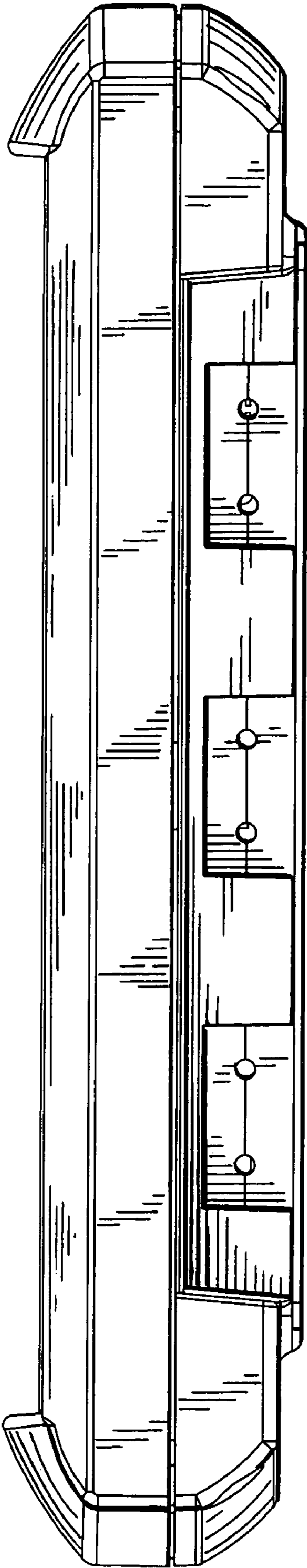


Fig. 6

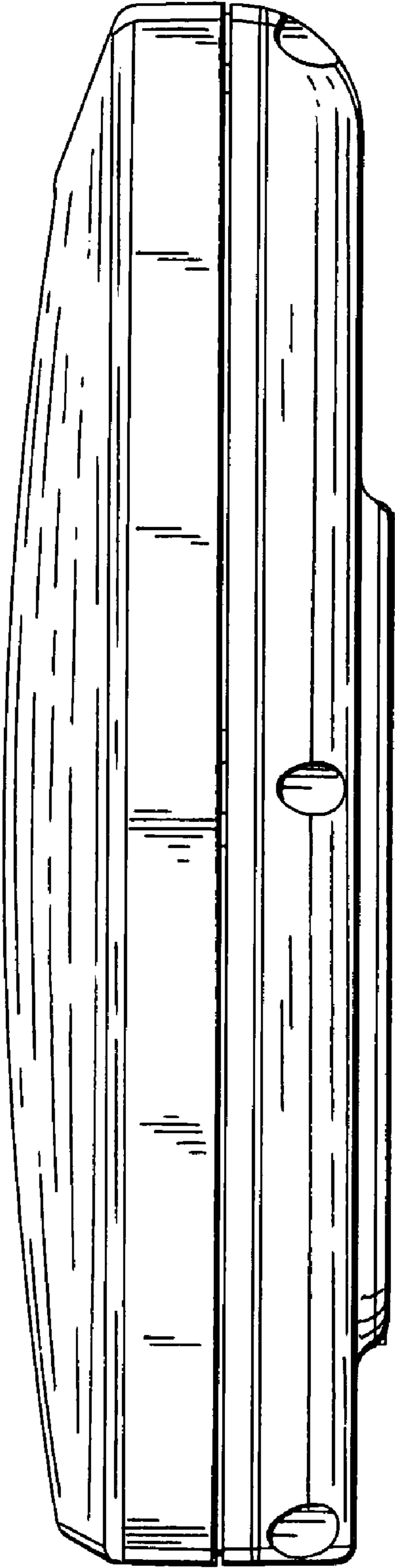


Fig. 7

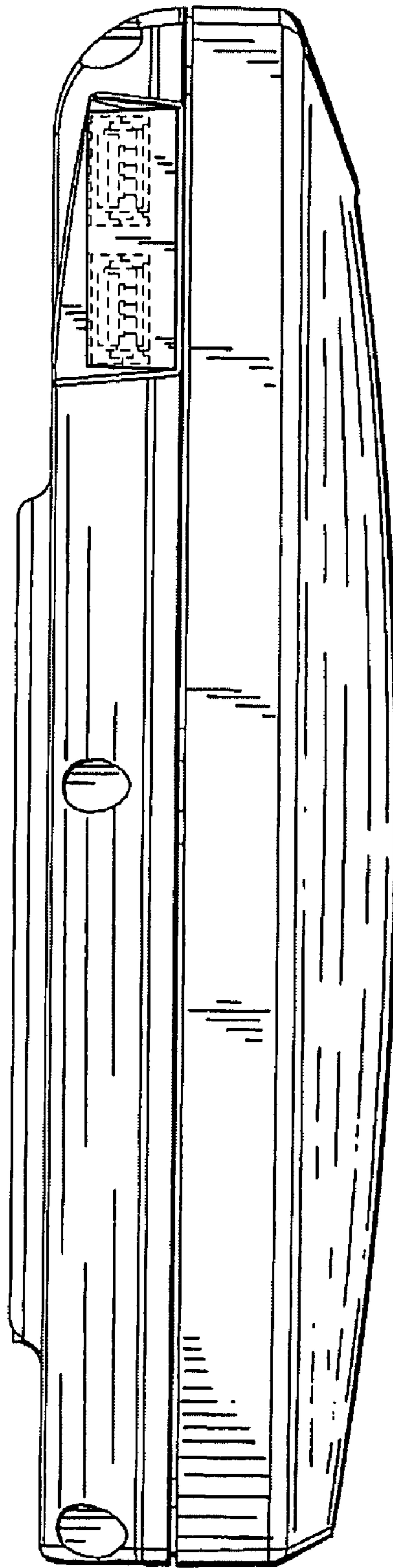


Fig. 8

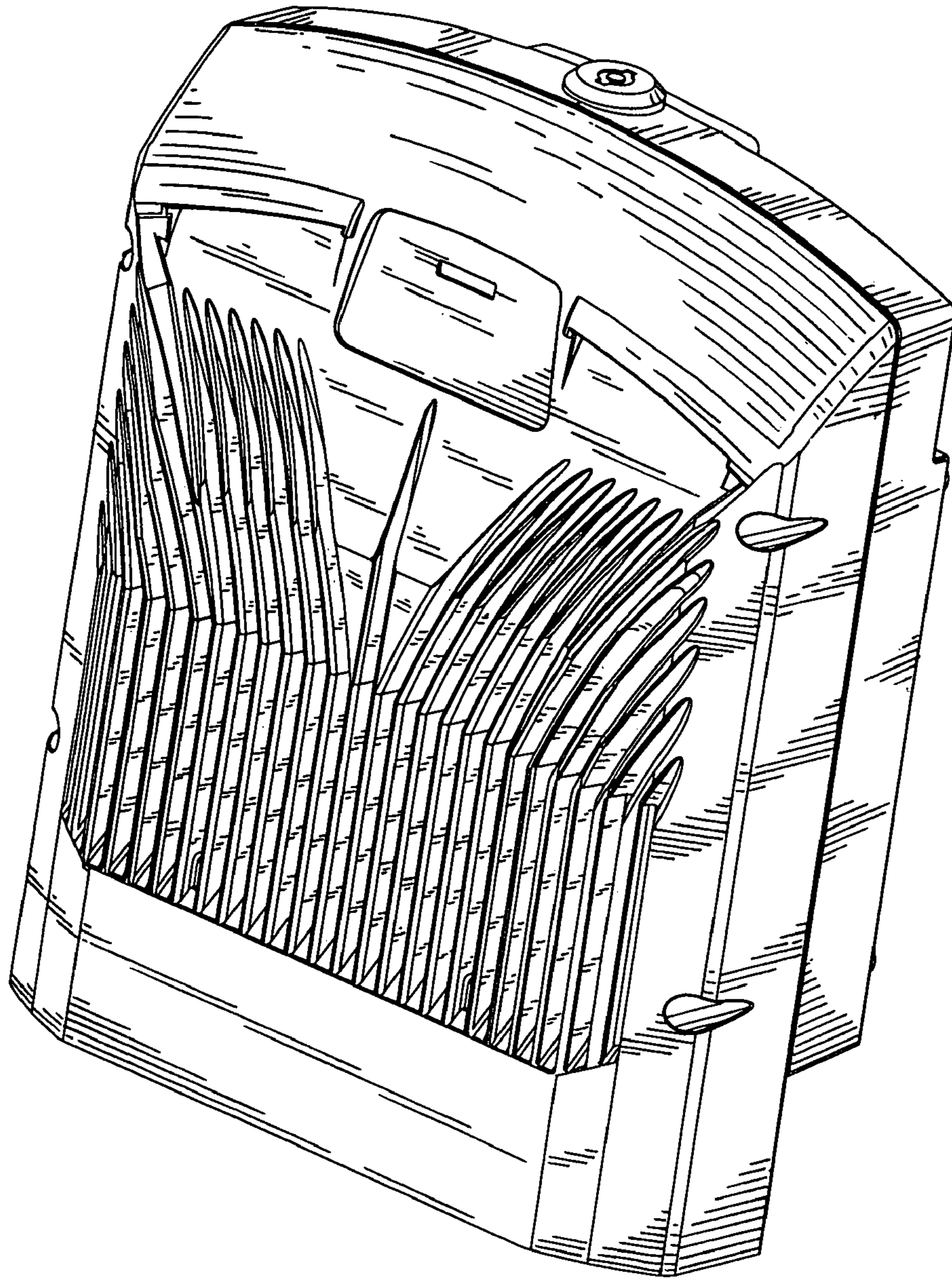
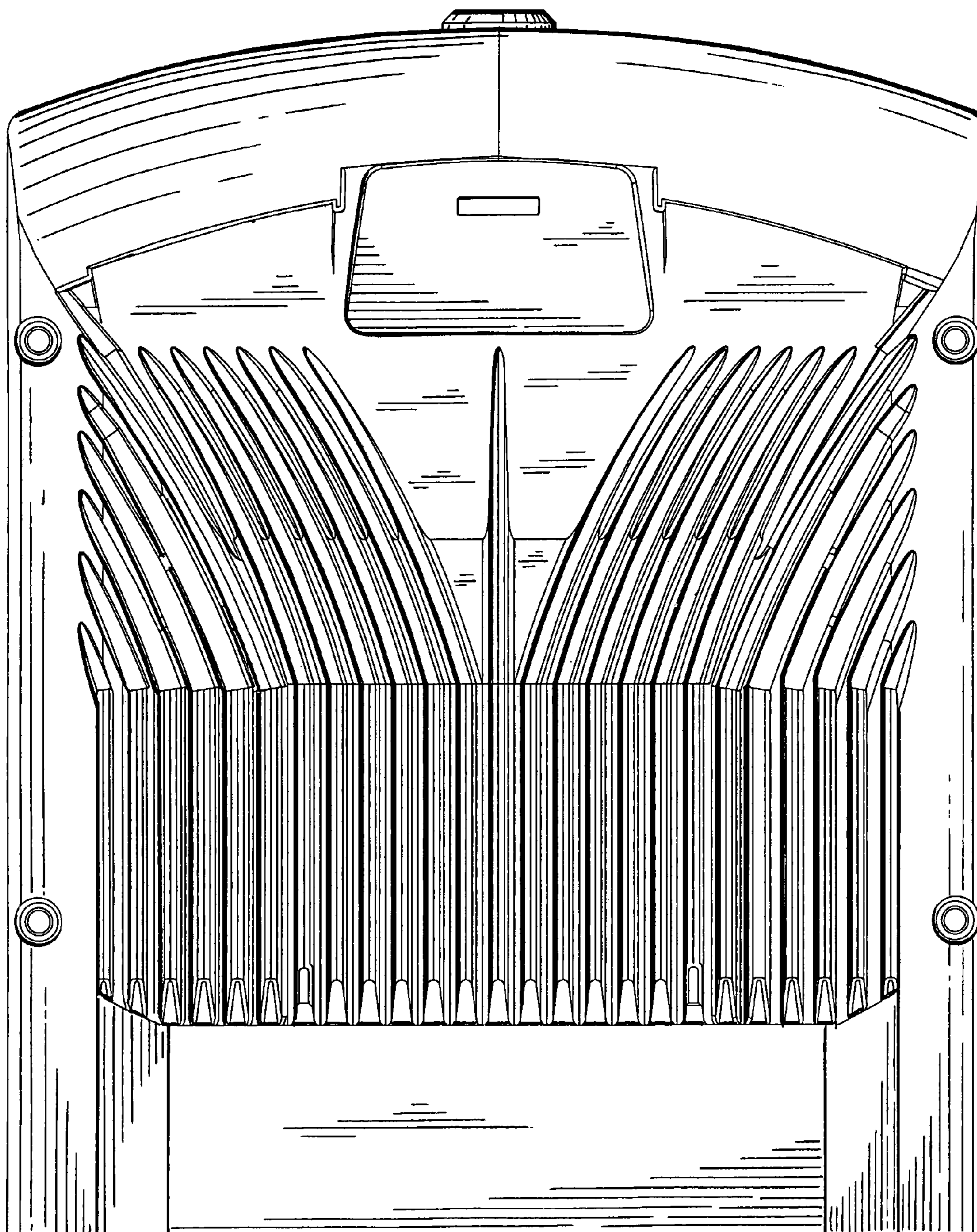


Fig. 9

Fig. 10



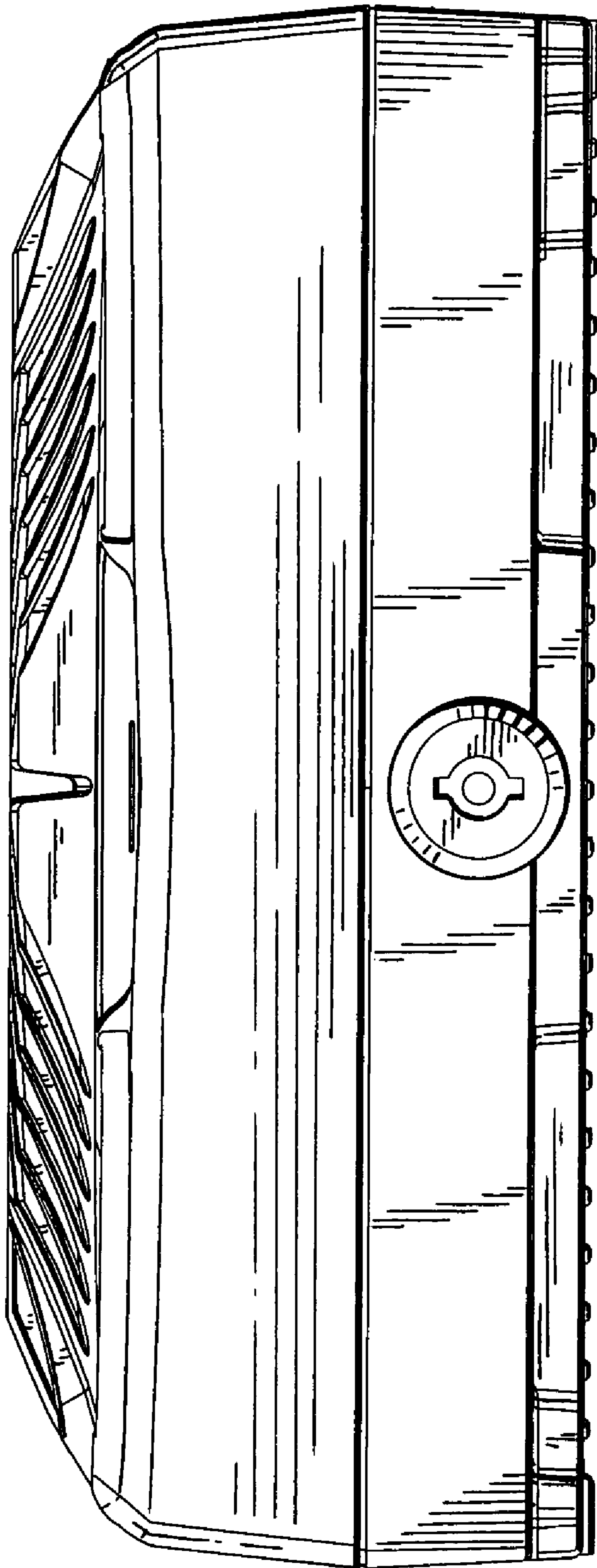


Fig. 11

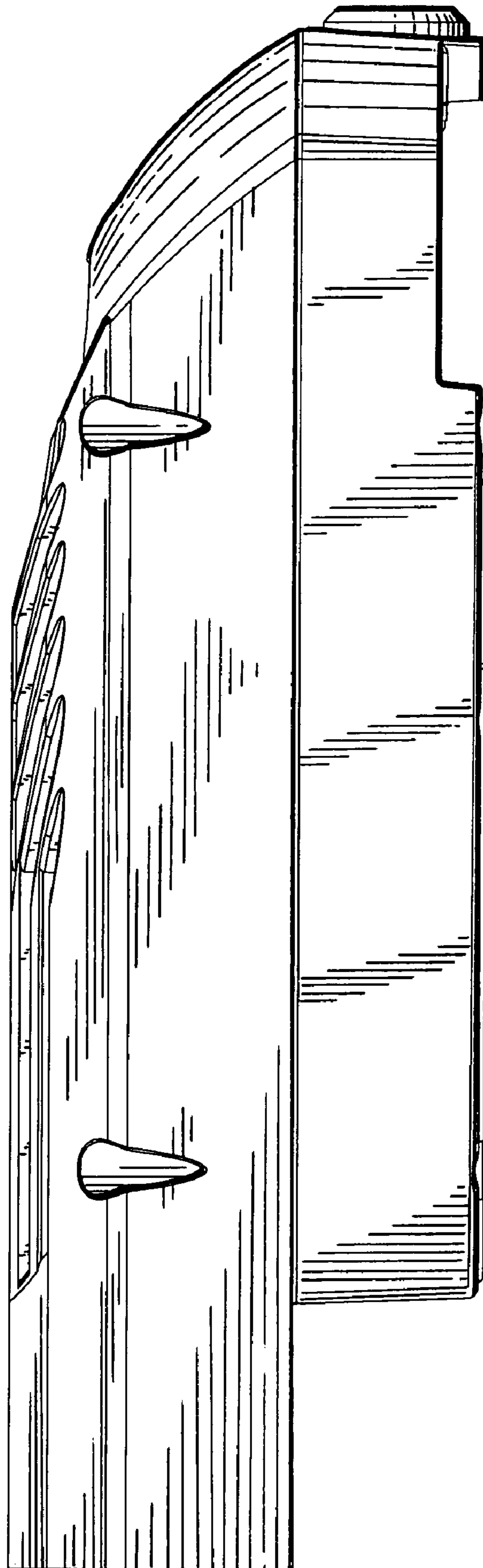


Fig. 12

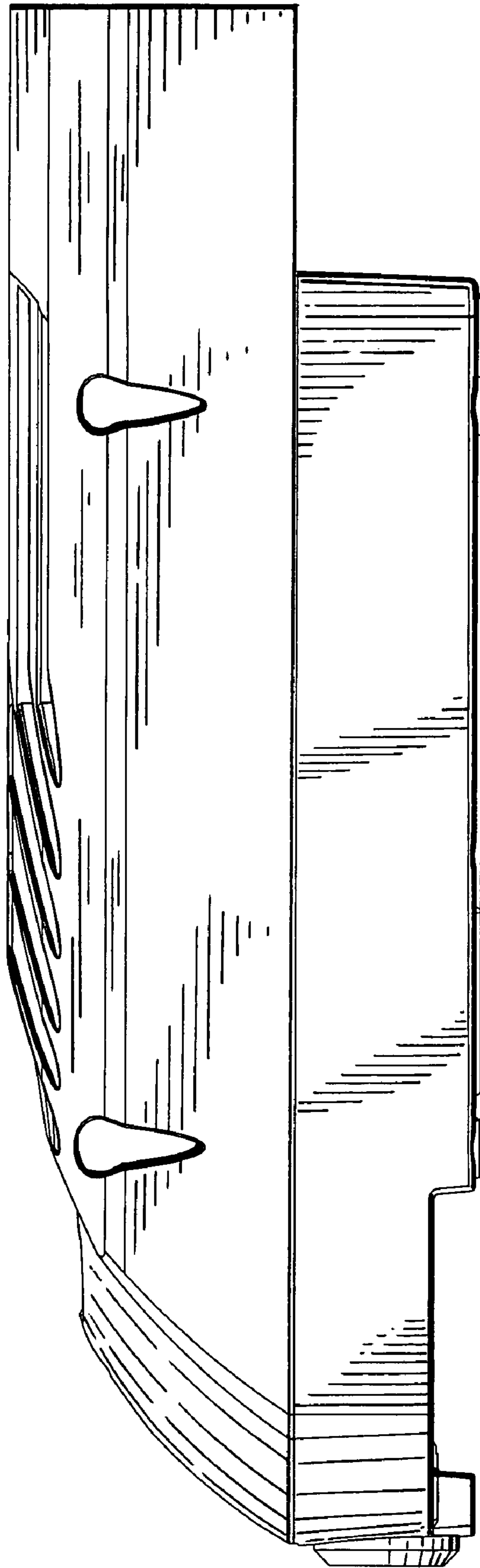
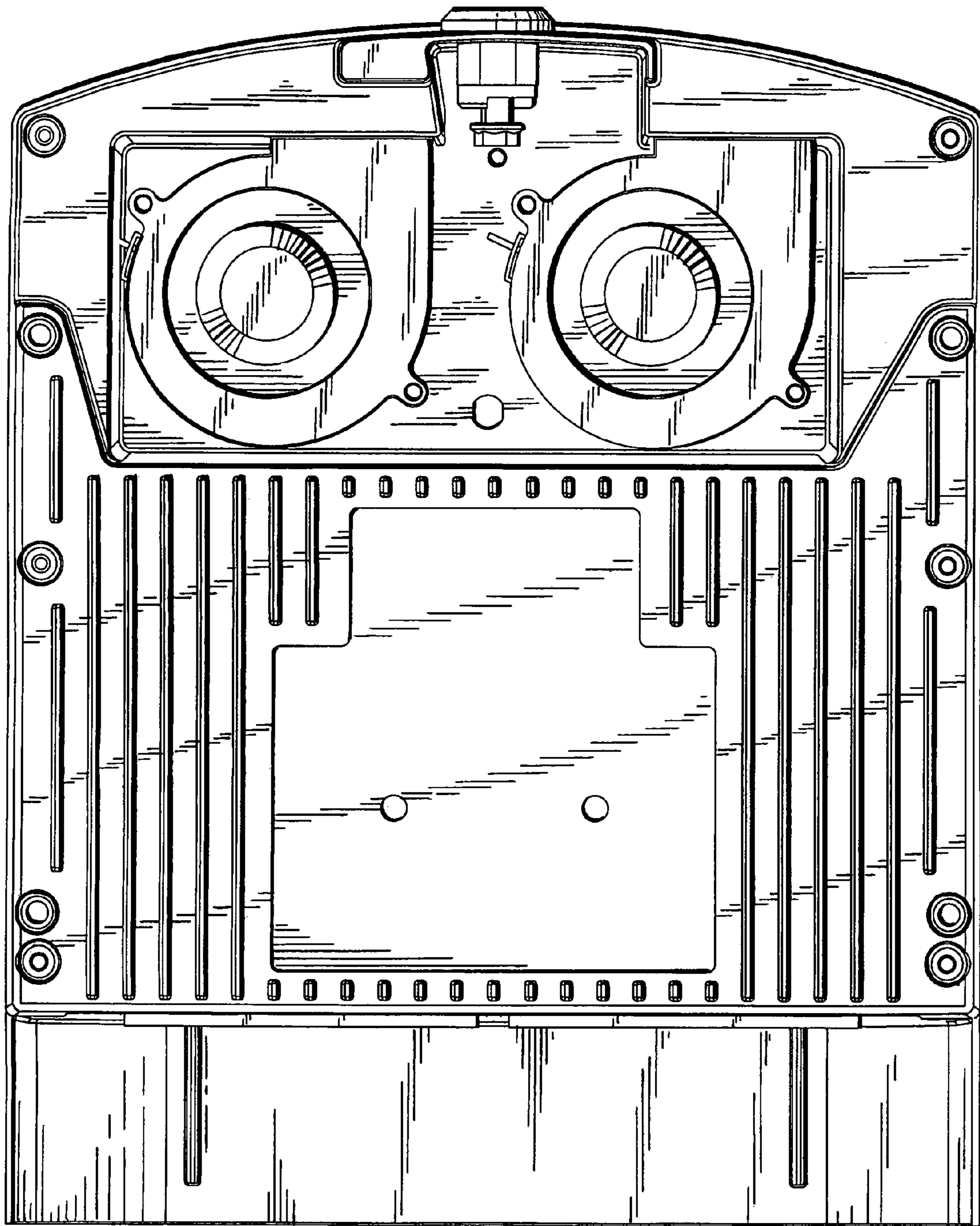


Fig. 13

Fig. 14



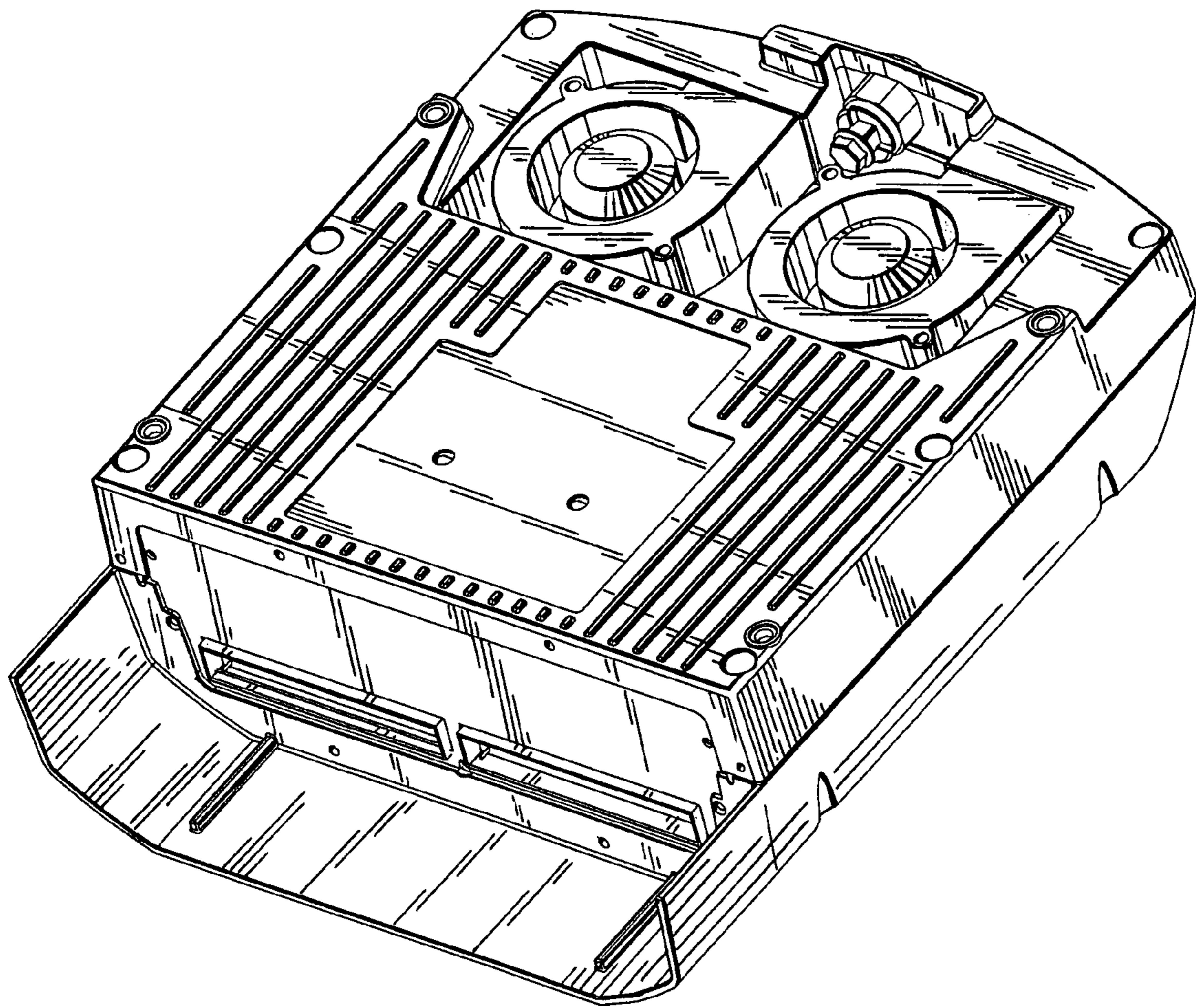


Fig. 15

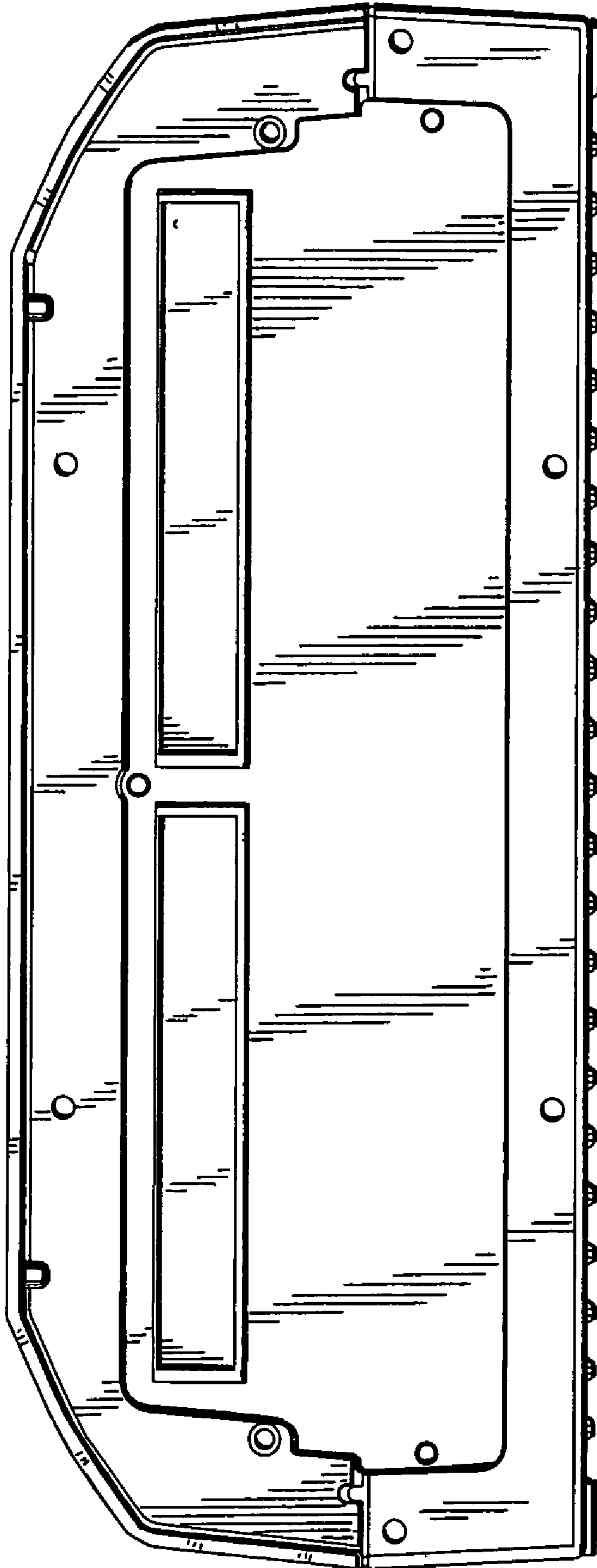


Fig. 16

UNITED STATES PATENT AND TRADEMARK OFFICE
CERTIFICATE OF CORRECTION

PATENT NO. : Des. 596,175 S
APPLICATION NO. : 29/290124
DATED : July 14, 2009
INVENTOR(S) : Viertola et al.

Page 1 of 1

It is certified that error appears in the above-identified patent and that said Letters Patent is hereby corrected as shown below:

On the front page of the patent at INID code (75), delete the Inventor name "Visa Panu Pallervo Viertola" and insert --Visa Panu Pellervo Viertola--.

On the front page of the patent at INID code (73), delete the Assignee city "Seinajokil" and insert --Seinäjoki--.

Signed and Sealed this

Seventeenth Day of November, 2009



David J. Kappos
Director of the United States Patent and Trademark Office