

US00D596173S

(12) **United States Design Patent**
Arfin

(10) **Patent No.:** **US D596,173 S**
(45) **Date of Patent:** **** Jul. 14, 2009**

(54) **COMPUTER KIOSK**

(76) Inventor: **Jonathan Arfin**, 2619 Manhattan Beach Blvd., Redondo Beach, CA (US) 90278

(**) Term: **14 Years**

(21) Appl. No.: **29/310,331**

(22) Filed: **Aug. 7, 2008**

(51) **LOC (9) Cl.** **14-02**

(52) **U.S. Cl.** **D14/307; D14/336; D14/371**

(58) **Field of Classification Search** D14/302-307, D14/371, 373, 374, 315, 316, 336, 341, 125-127, D14/129, 900-902; D13/163; D20/10; D21/329, D21/332; D99/28; D6/396; 194/206; 361/680-687; 312/198; D10/65
See application file for complete search history.

(56) **References Cited**

U.S. PATENT DOCUMENTS

D205,493 S *	8/1966	Vogt	D20/10
D333,574 S *	3/1993	Ackeret	D6/300
D395,454 S *	6/1998	Hayashi	D20/10
D415,147 S *	10/1999	Adachi	D14/126
D438,849 S *	3/2001	Adachi et al.	D14/126
D490,420 S *	5/2004	Solomon et al.	D14/341
D494,174 S *	8/2004	Hsu Li	D14/374

D509,827 S *	9/2005	Johnson	D14/374
D519,117 S *	4/2006	Lewis	D14/374
D560,917 S *	2/2008	Fields	D6/300
D571,235 S *	6/2008	Stevens et al.	D10/65
D579,930 S *	11/2008	Maskatia	D14/341
D582,916 S *	12/2008	Wada	D14/371
D582,917 S *	12/2008	Wada	D14/371
D583,572 S *	12/2008	Zhai et al.	D6/308
2005/0156902 A1 *	7/2005	McPherson et al.	345/173

* cited by examiner

Primary Examiner—Cathron C Brooks

Assistant Examiner—Deanna Fluegeman

(74) *Attorney, Agent, or Firm*—Leonard Tachner

(57) **CLAIM**

The ornamental design for computer kiosk, as shown and described.

DESCRIPTION

FIG. 1 is a front perspective view of a computer kiosk of the present invention;

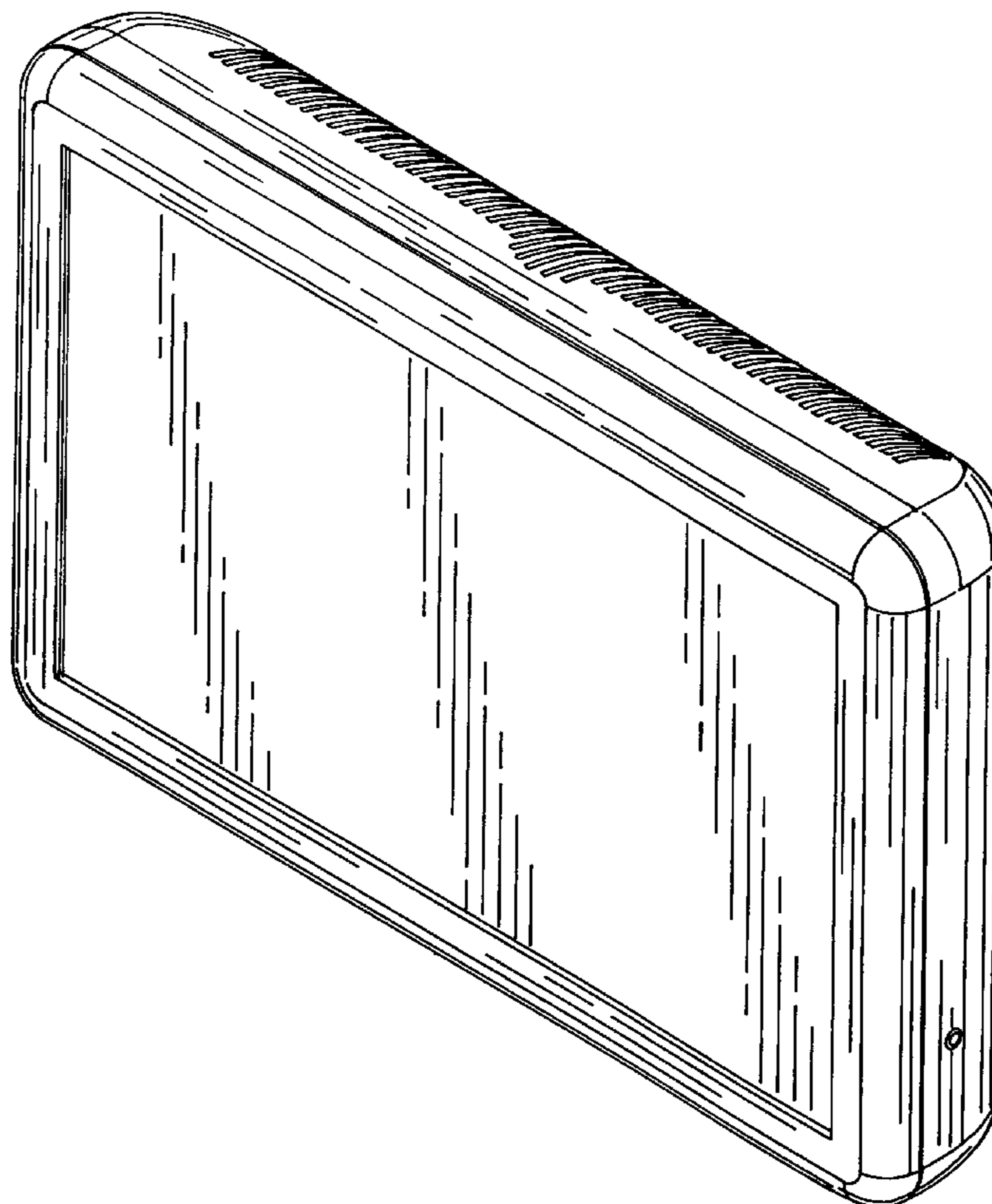
FIG. 2 is a front view of the present invention;

FIG. 3 is a top view of the present invention;

FIG. 4 is a side view of the present invention; and,

FIG. 5 is a rear view of the present invention.

1 Claim, 5 Drawing Sheets



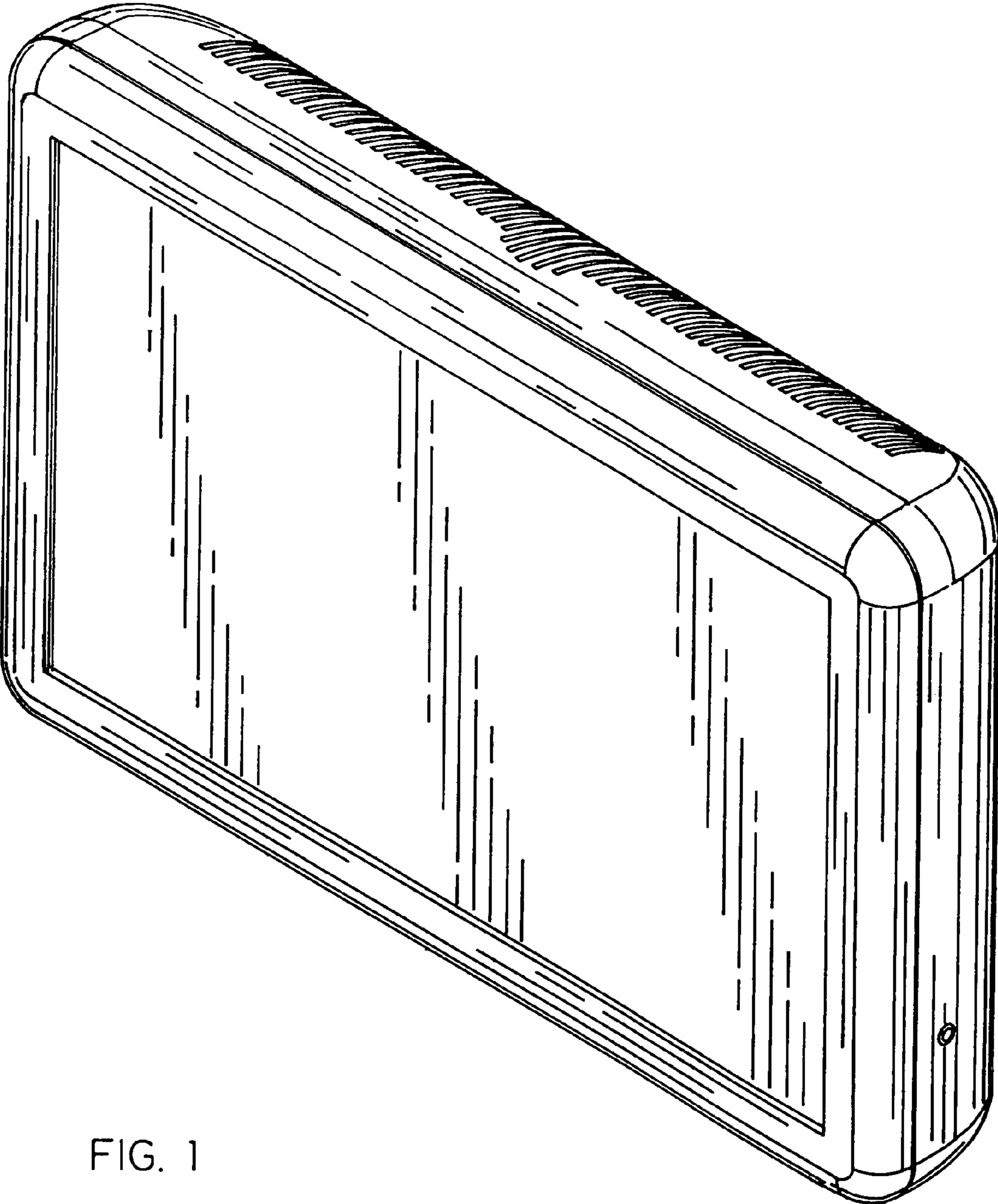


FIG. 1

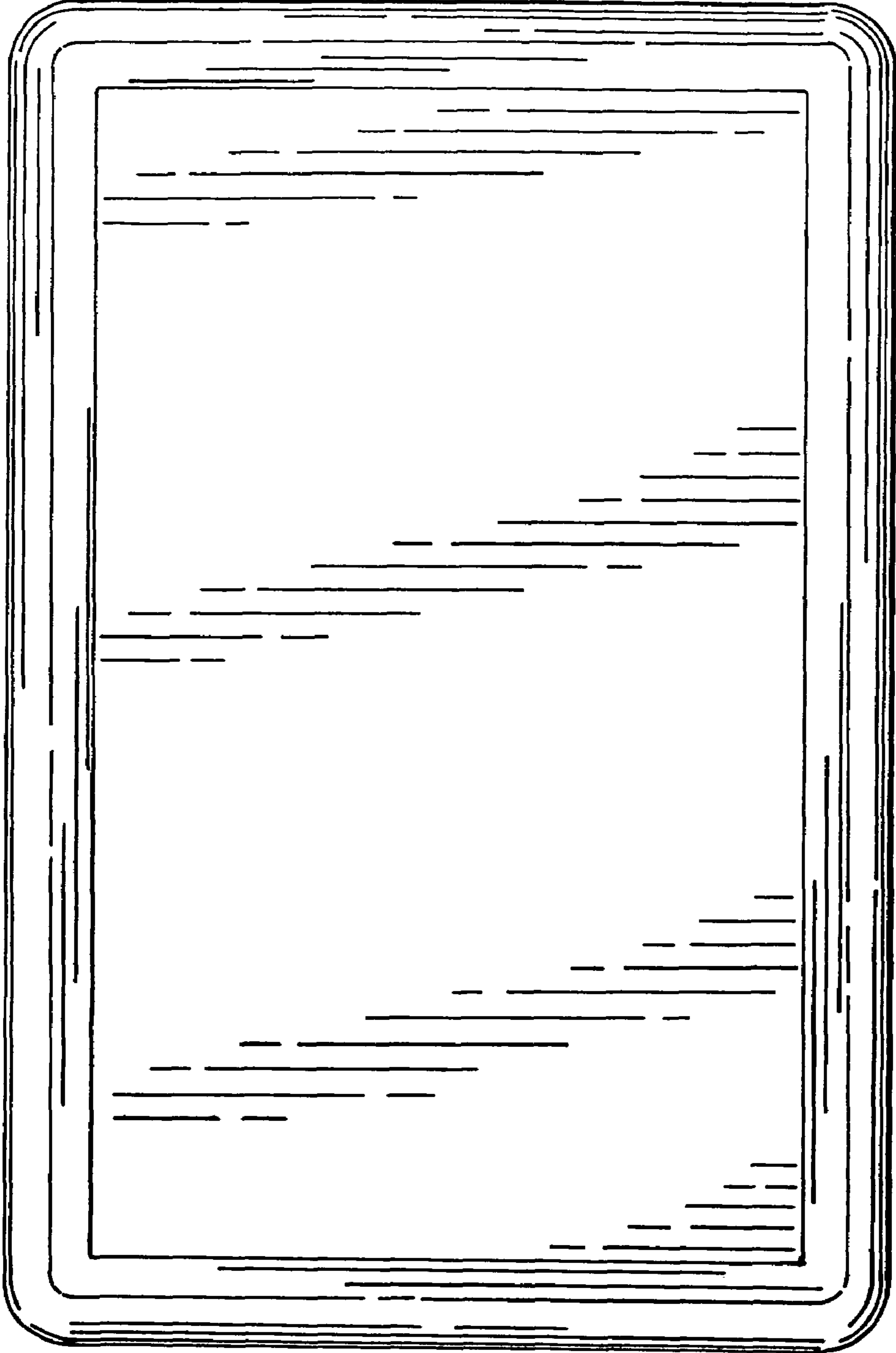


FIG. 2

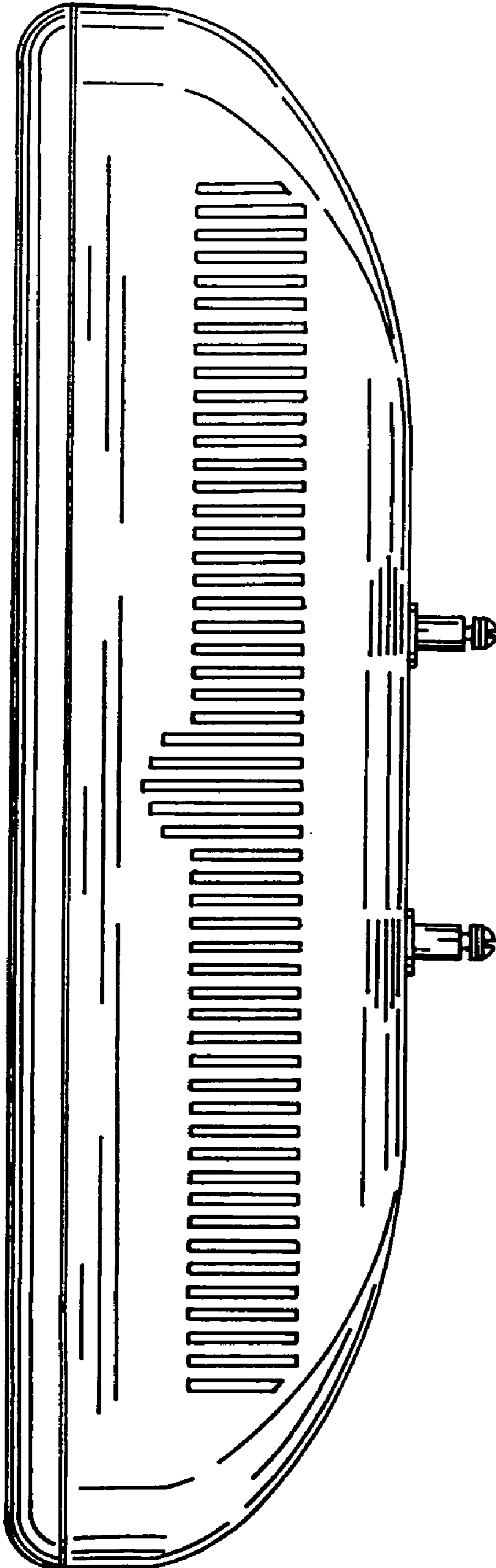


FIG. 3

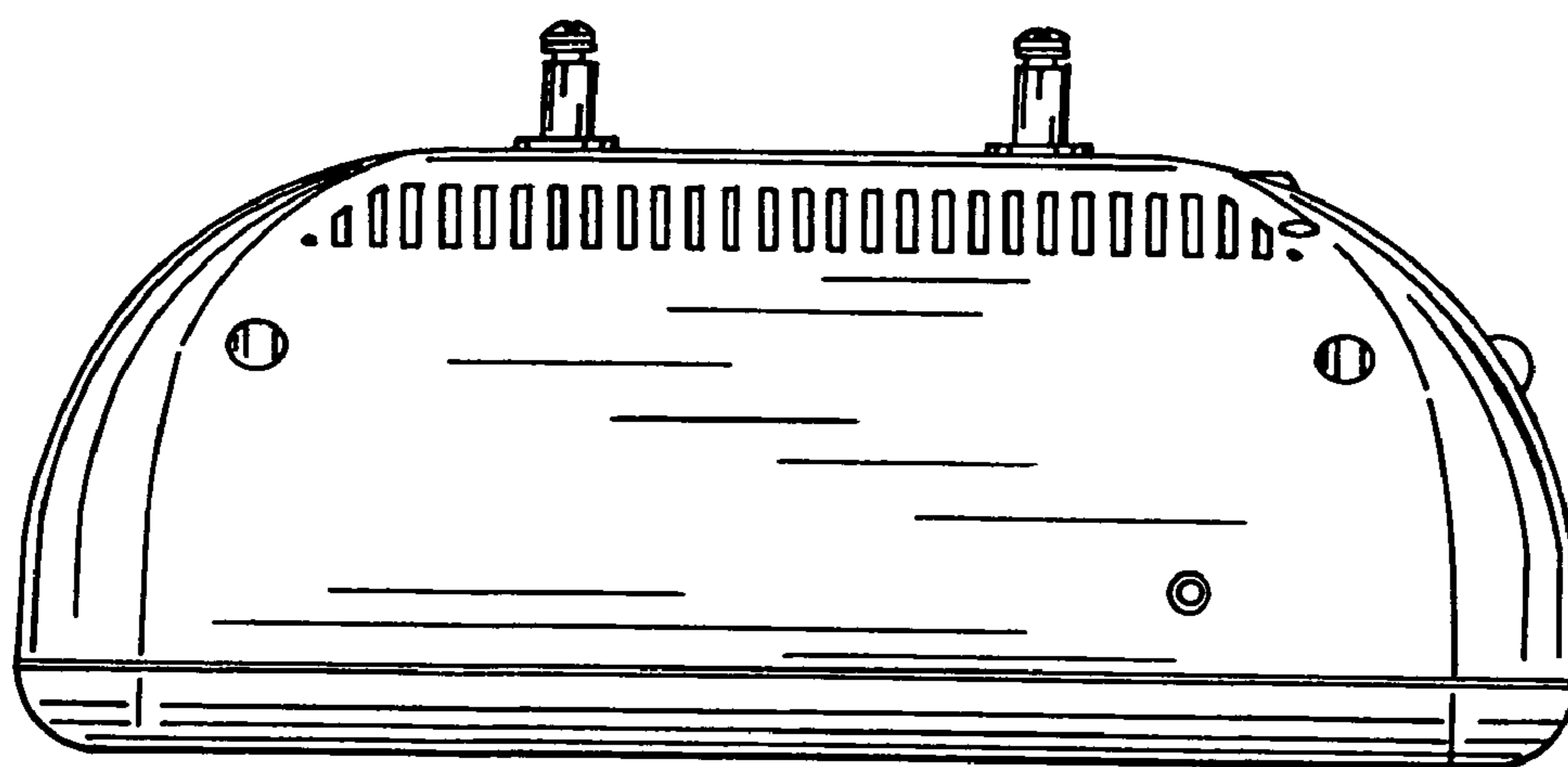


FIG. 4

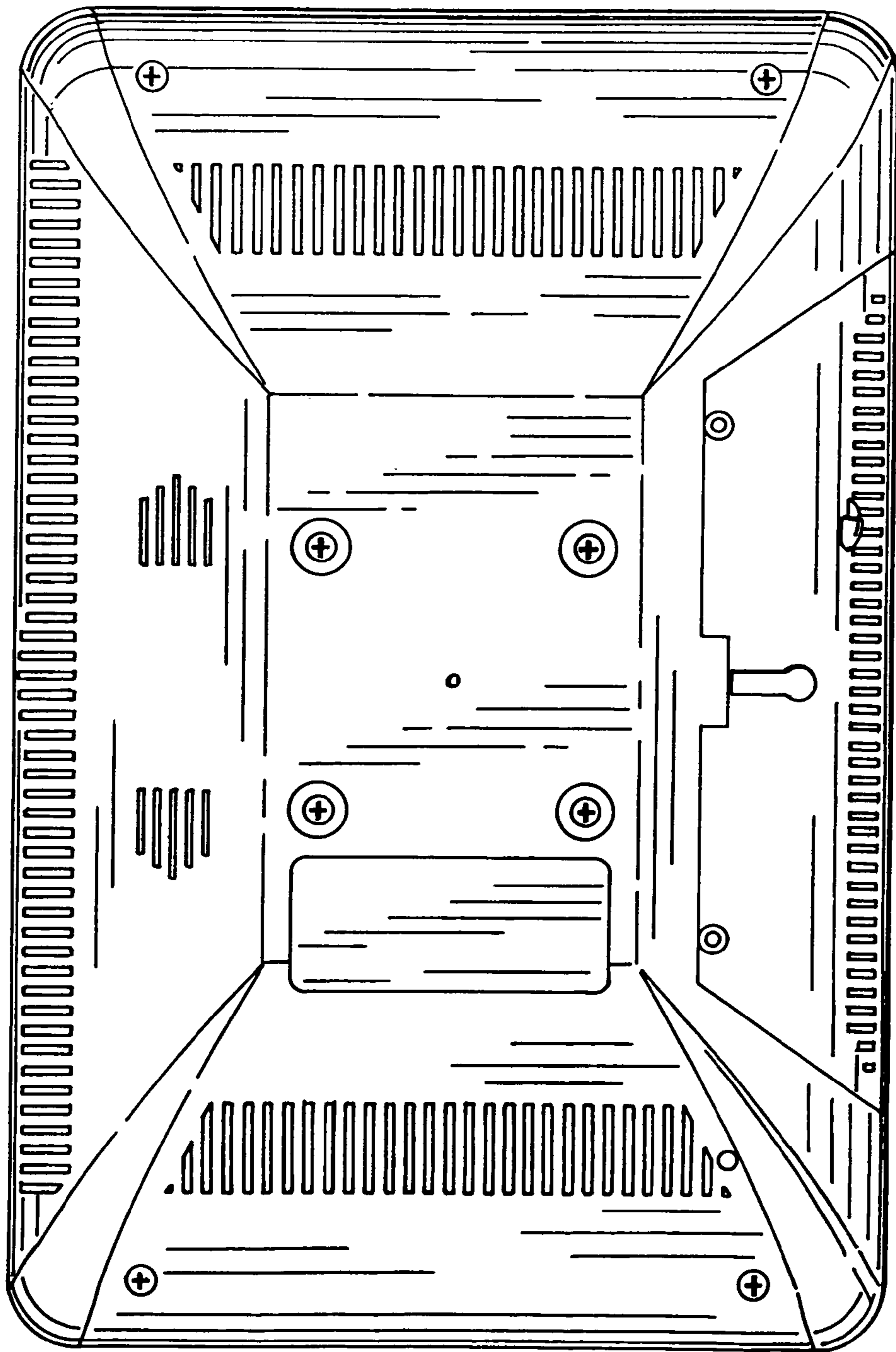


FIG. 5