



US00D596172S

(12) **United States Design Patent**
Ahlqvist

(10) **Patent No.:** **US D596,172 S**

(45) **Date of Patent:** **** Jul. 14, 2009**

(54) **PHONE HOLDER**

(76) Inventor: **Stein G. Ahlqvist**, Statinsgatan 6,
Kvillsfors (SE) 57016

(**) Term: **14 Years**

(21) Appl. No.: **29/279,288**

(22) Filed: **Apr. 25, 2007**

(30) **Foreign Application Priority Data**

Nov. 20, 2006 (SE) 2006/0641

(51) **LOC (9) Cl.** **14-03**

(52) **U.S. Cl.** **D14/251**

(58) **Field of Classification Search** D14/251,
D14/149, 253, 229, 447, 151, 140.2, 140.4,
D14/142, 240; 379/440, 435, 420.04, 428.01,
379/454, 455, 457, 450, 446; 455/575.1,
455/556.1, 90.3

See application file for complete search history.

(56) **References Cited**

U.S. PATENT DOCUMENTS

D327,070	S *	6/1992	Watanabe	D14/251
D350,545	S *	9/1994	Olkkola et al.	D14/253
D386,766	S *	11/1997	Johansson	D14/253
D390,849	S *	2/1998	Richter et al.	D14/253
5,836,563	A *	11/1998	Hsin-Yung	248/316.4
D411,543	S *	6/1999	Richter	D14/253
D416,914	S *	11/1999	Lummis	D14/251
D450,686	S *	11/2001	Beaumont et al.	D14/140.2
7,194,087	B2 *	3/2007	Luginbill et al.	379/455
D541,741	S *	5/2007	Yosef et al.	D13/110
D564,959	S *	3/2008	Heine et al.	D13/107
2002/0176571	A1 *	11/2002	Louh	379/455
2008/0142651	A1 *	6/2008	Tomasini et al.	248/176.1

* cited by examiner

Primary Examiner—Ian Simmons

Assistant Examiner—Wan Laymon

(74) *Attorney, Agent, or Firm*—Mark J. Young

(57) **CLAIM**

The ornamental design for a phone holder, as shown and described.

DESCRIPTION

FIG. 1 is a top plan view of the phone holder in an unassembled configuration.

FIG. 2 is a bottom plan view of the phone holder shown in FIG. 1 in an unassembled configuration.

FIG. 3 is a rear elevation view of the phone holder shown in FIG. 1 in an assembled configuration.

FIG. 4 is a bottom plan view of the phone holder shown in FIG. 1 in an assembled configuration.

FIG. 5 is a front elevation view of the phone holder shown in FIG. 1 in an assembled configuration.

FIG. 6 is a left side elevation view of the phone holder shown in FIG. 1 in an assembled configuration.

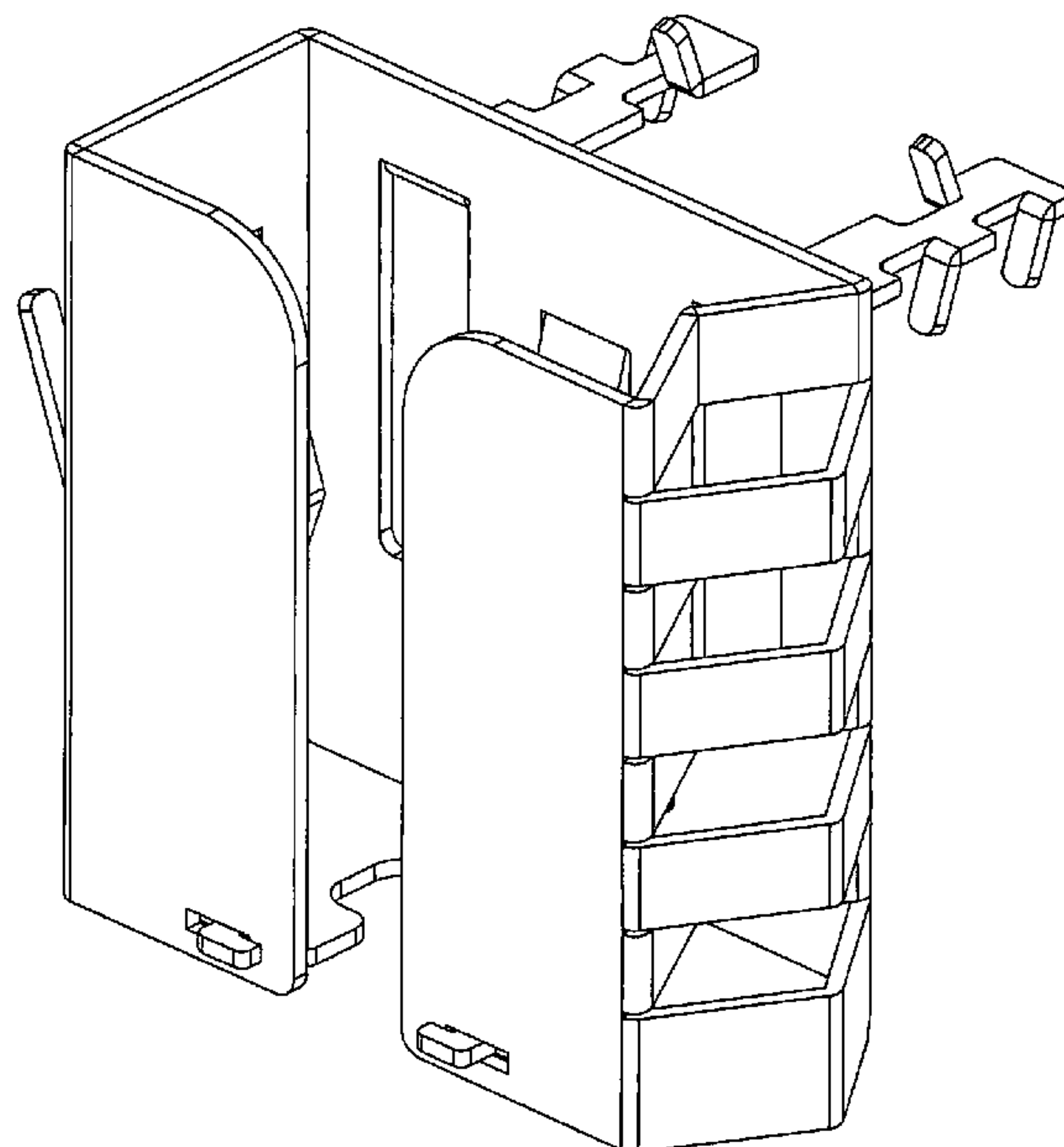
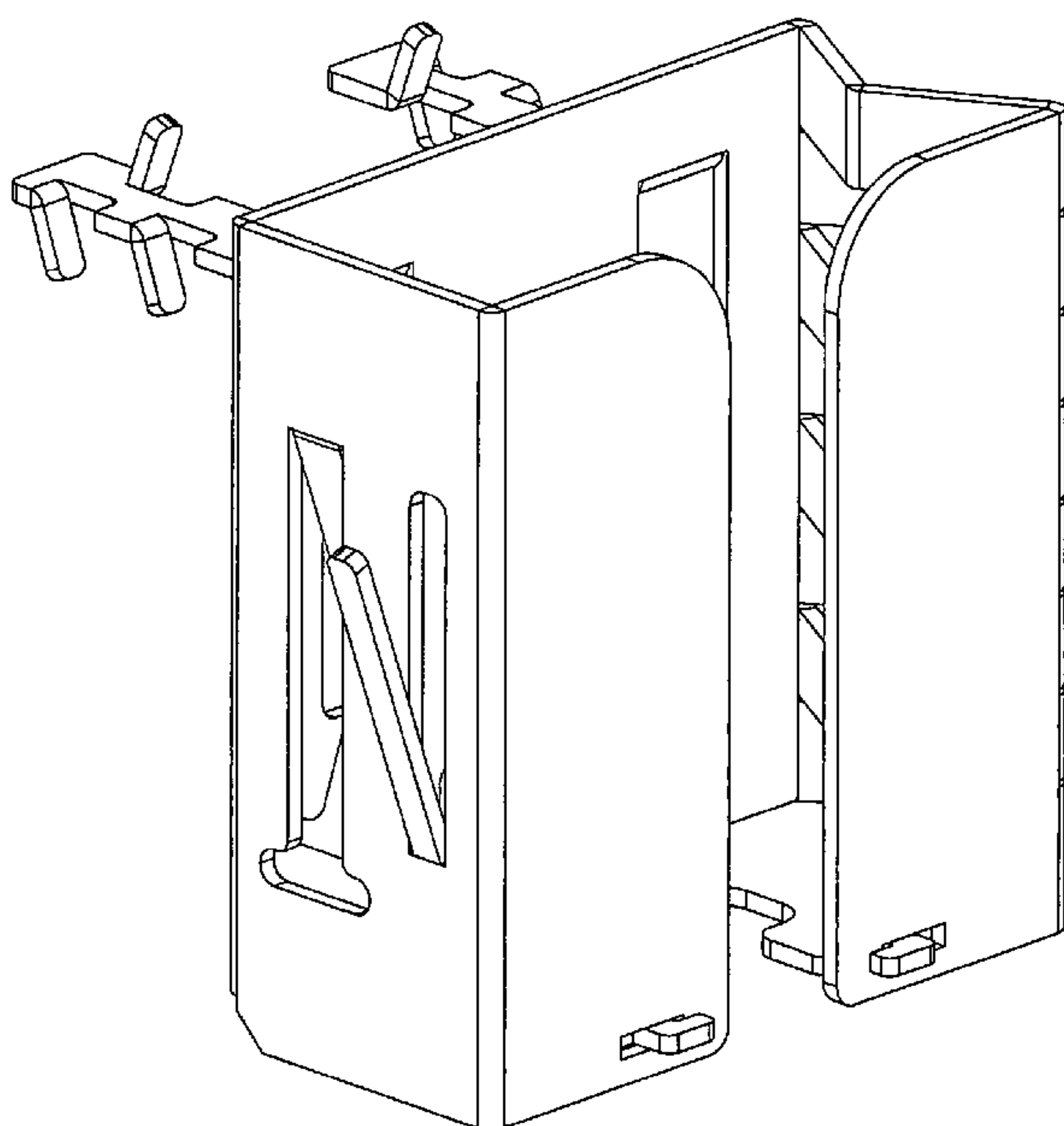
FIG. 7 is a right side elevation view of the phone holder shown in FIG. 1 in an assembled configuration.

FIG. 8 is a front-right perspective view of the phone holder shown in FIG. 1 in an assembled configuration.

FIG. 9 is a top plan view of the phone holder shown in FIG. 1 in an assembled configuration with extended tabs; and,

FIG. 10 is a front-left perspective view of the phone holder shown in FIG. 1 in an assembled configuration.

1 Claim, 10 Drawing Sheets



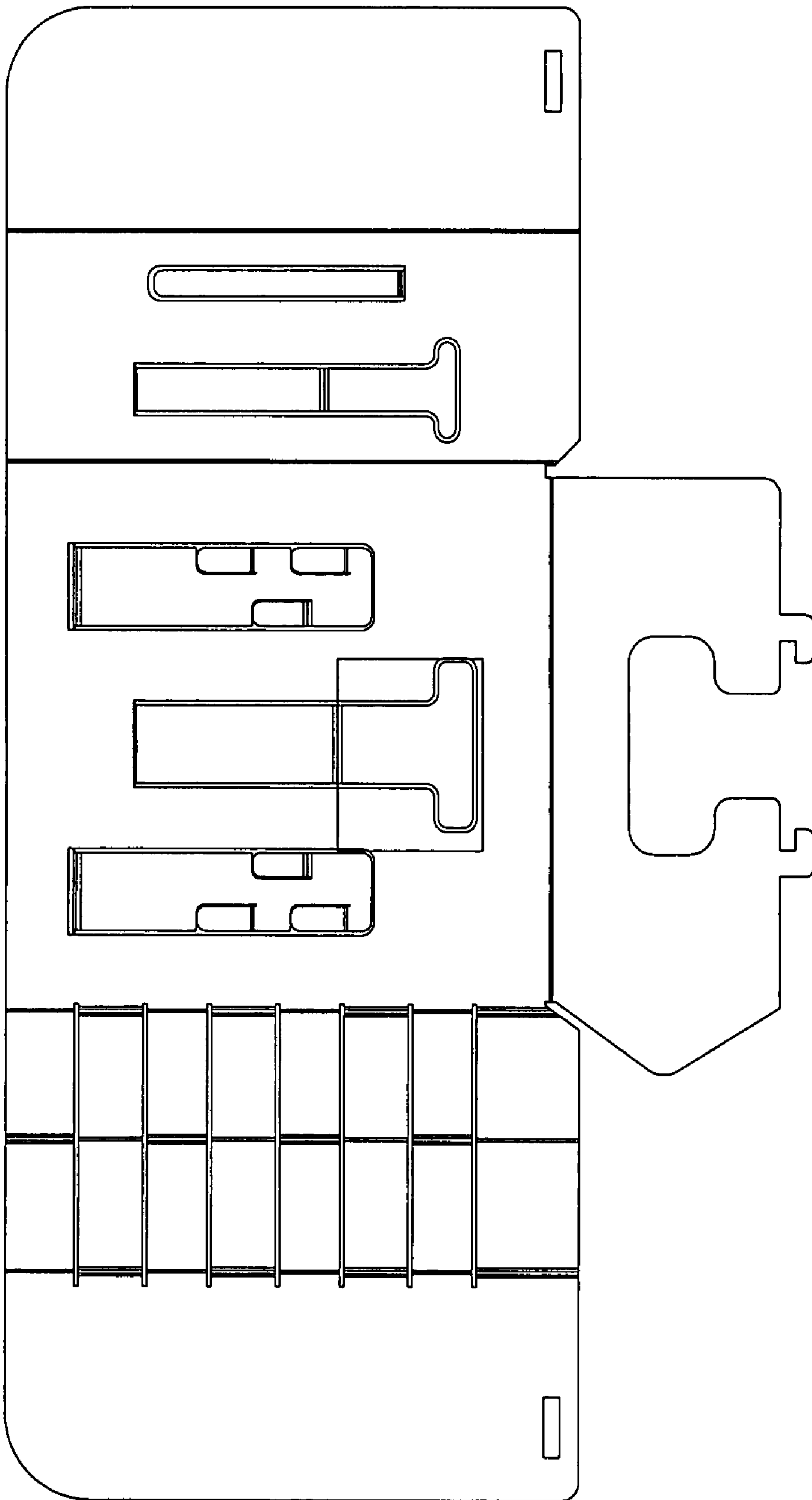


FIGURE 1

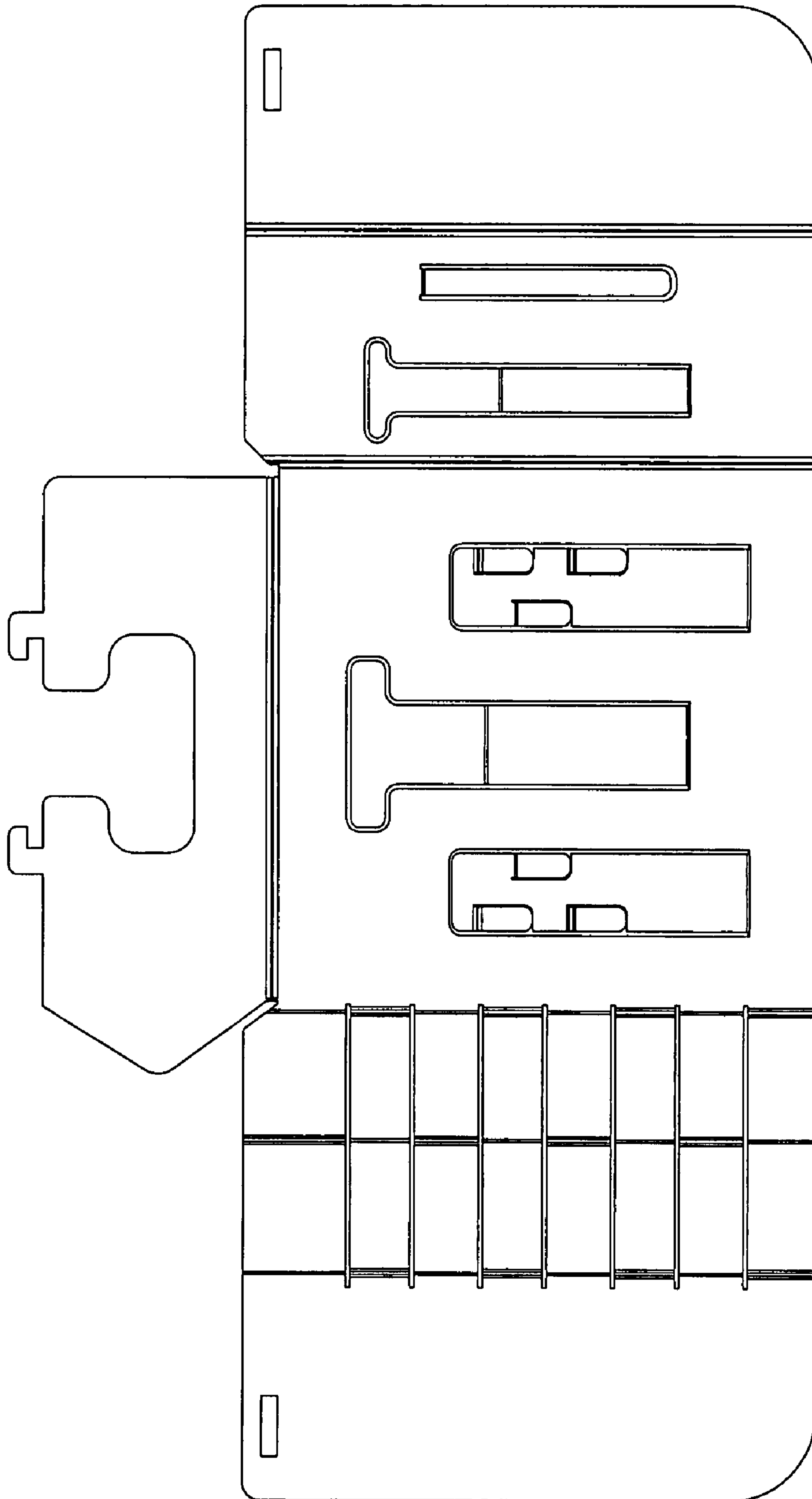


FIGURE 2

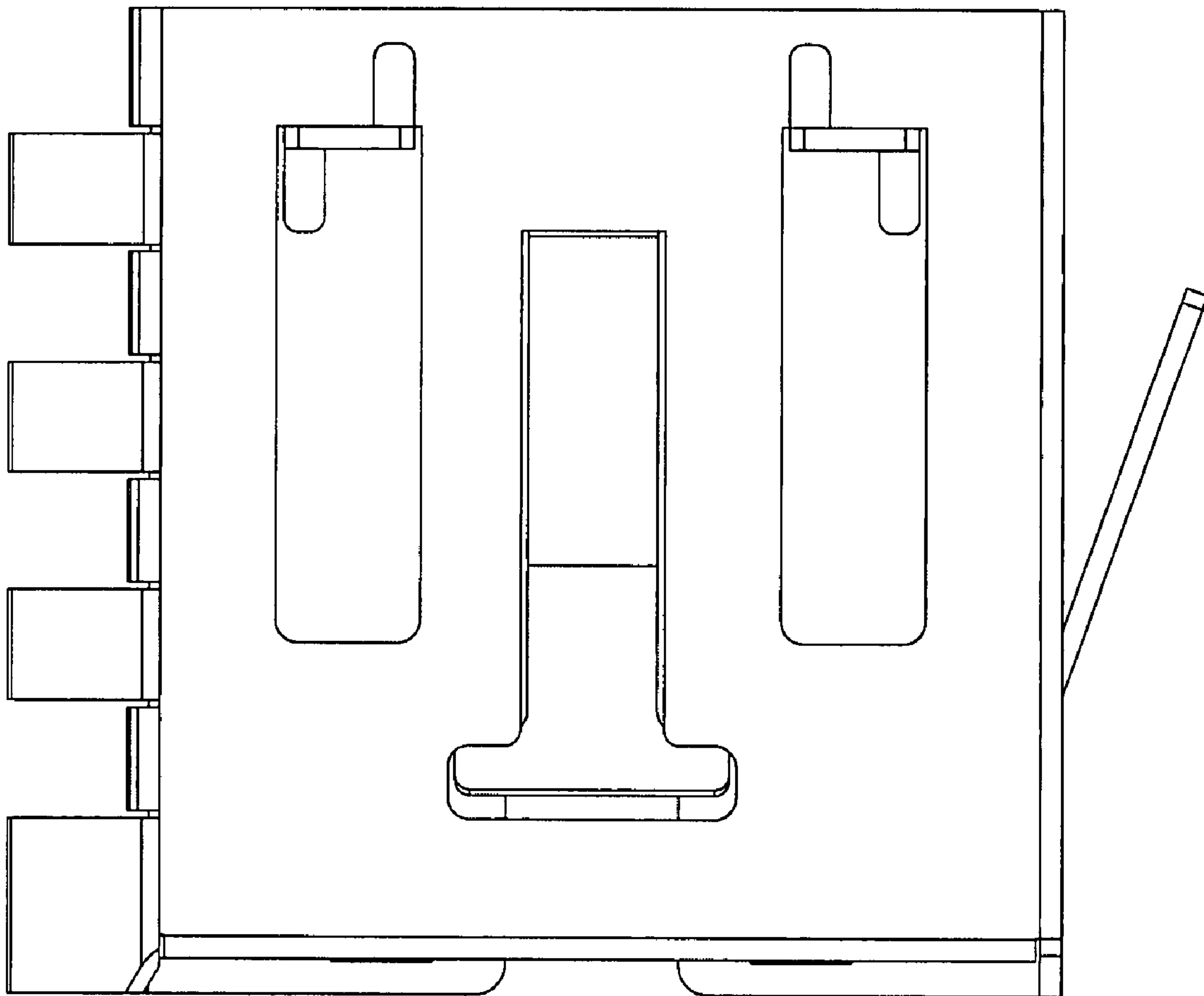


FIGURE 3

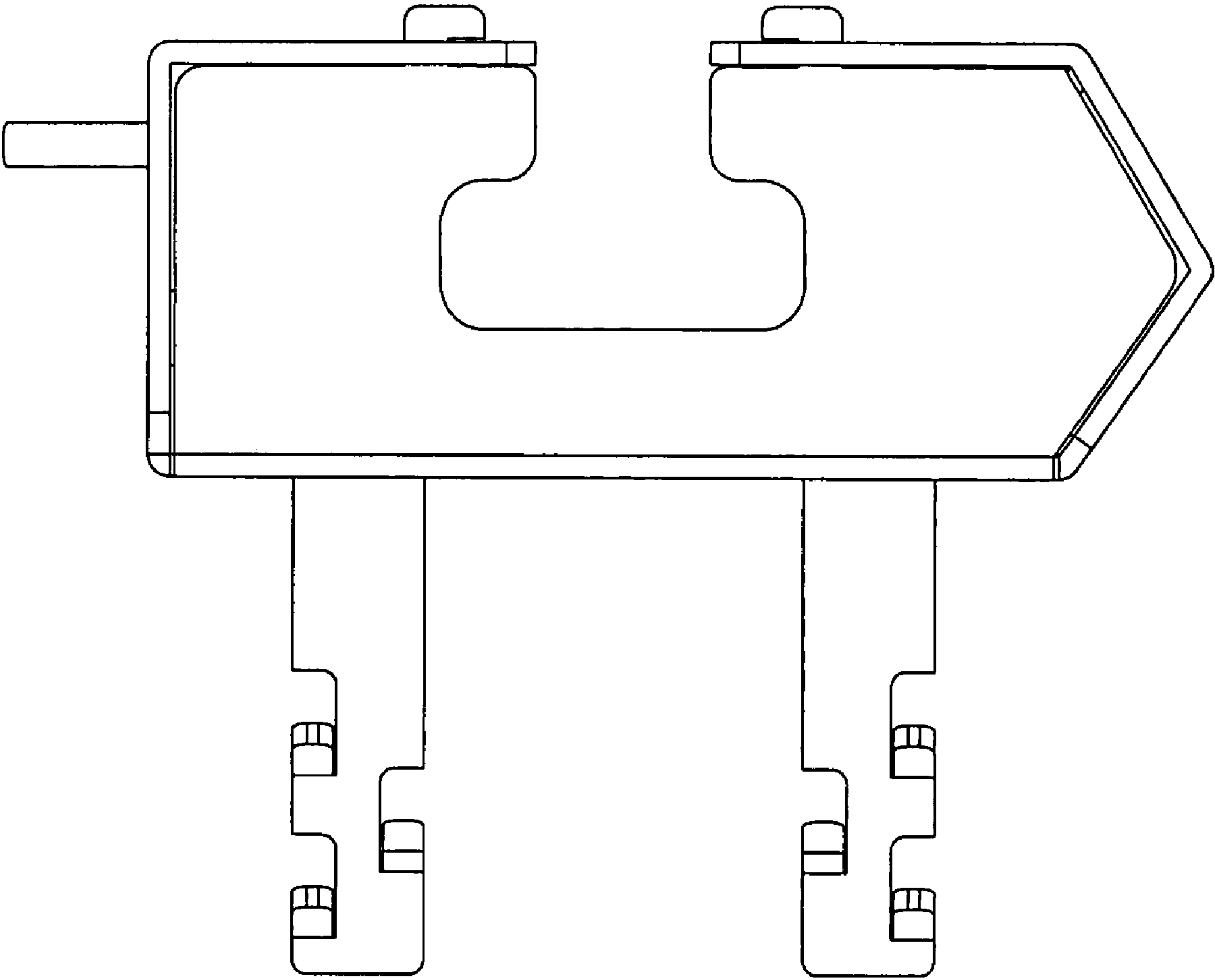


FIGURE 4

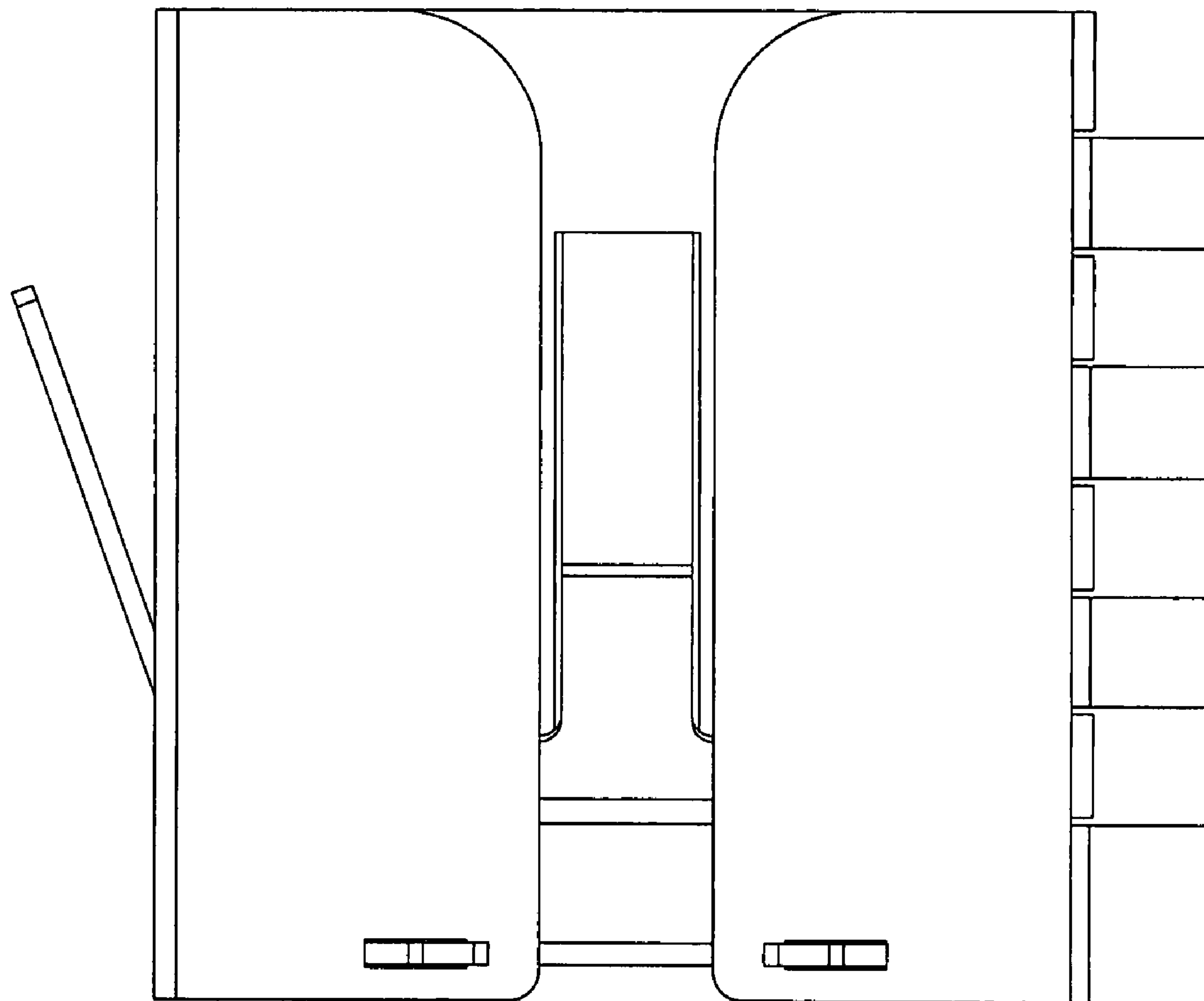


FIGURE 5

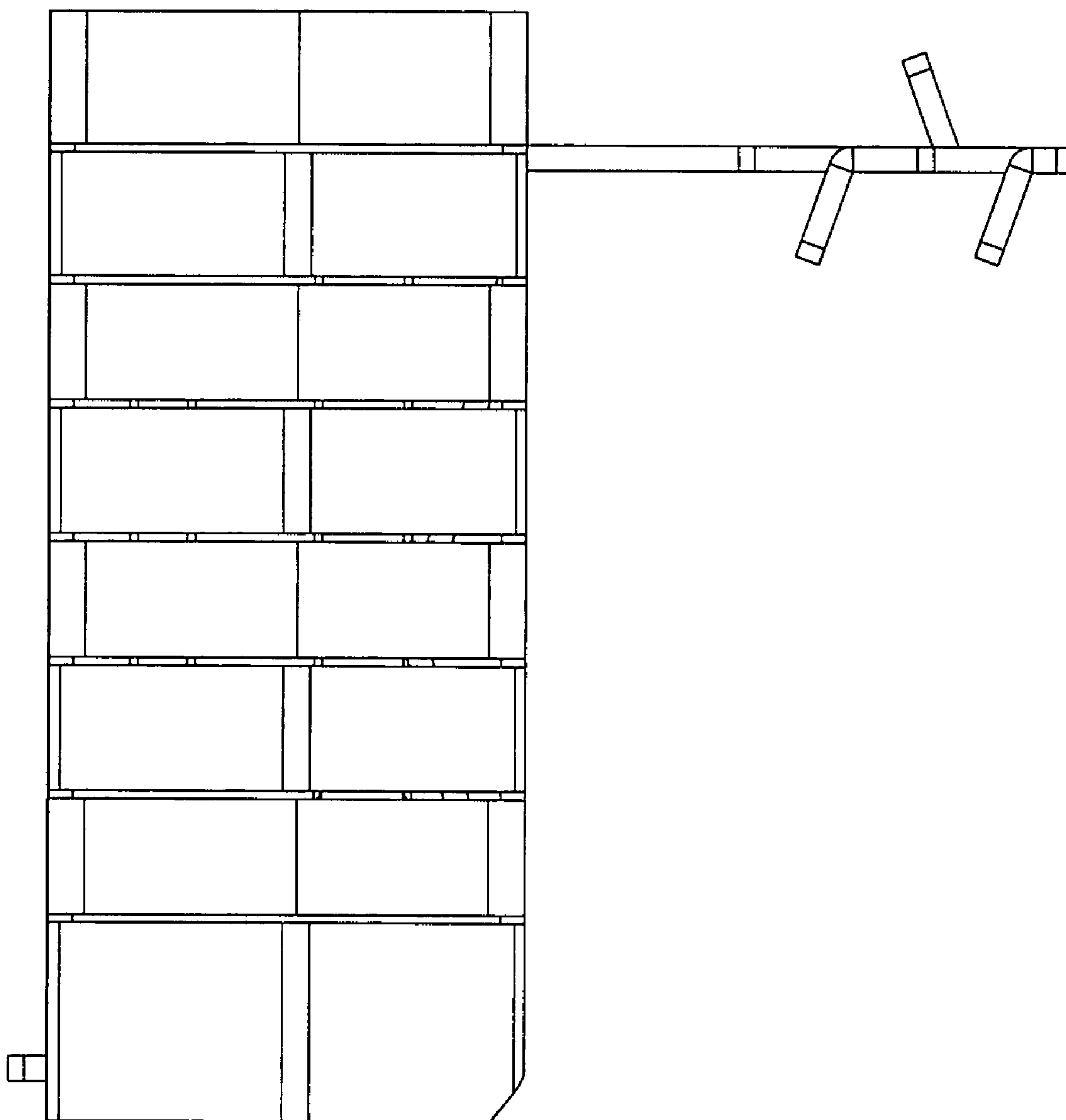


FIGURE 6

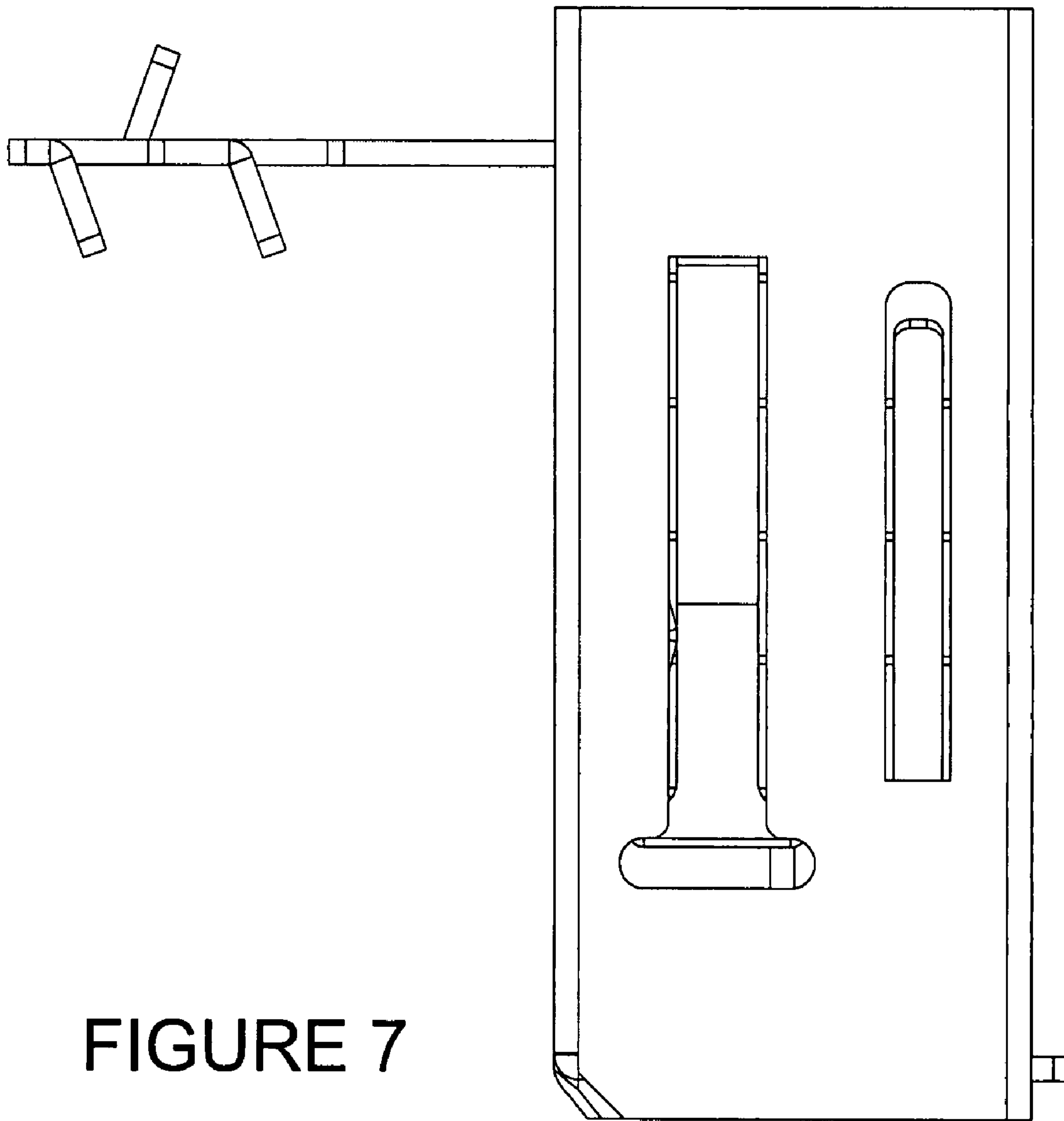


FIGURE 7

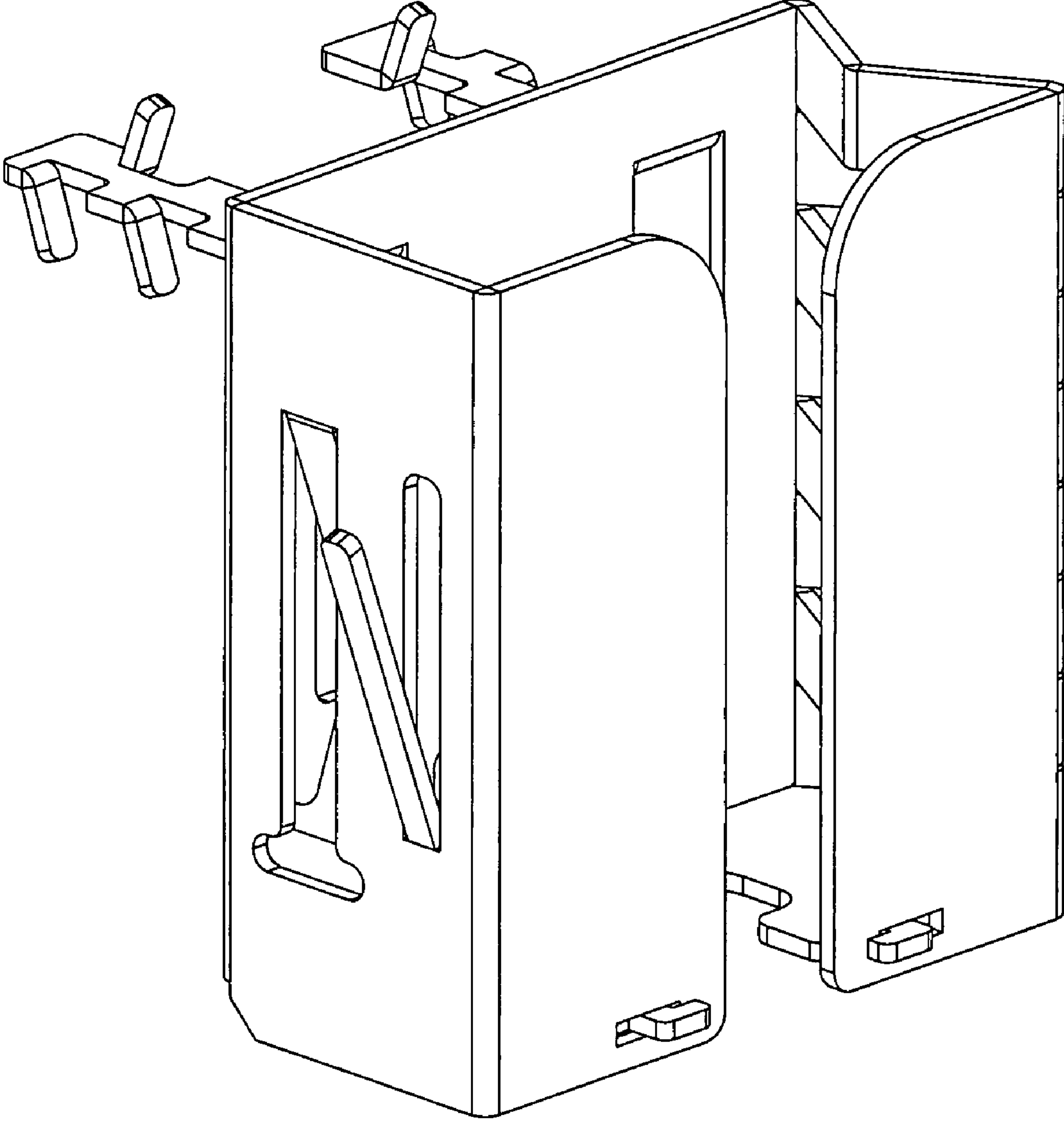


FIGURE 8

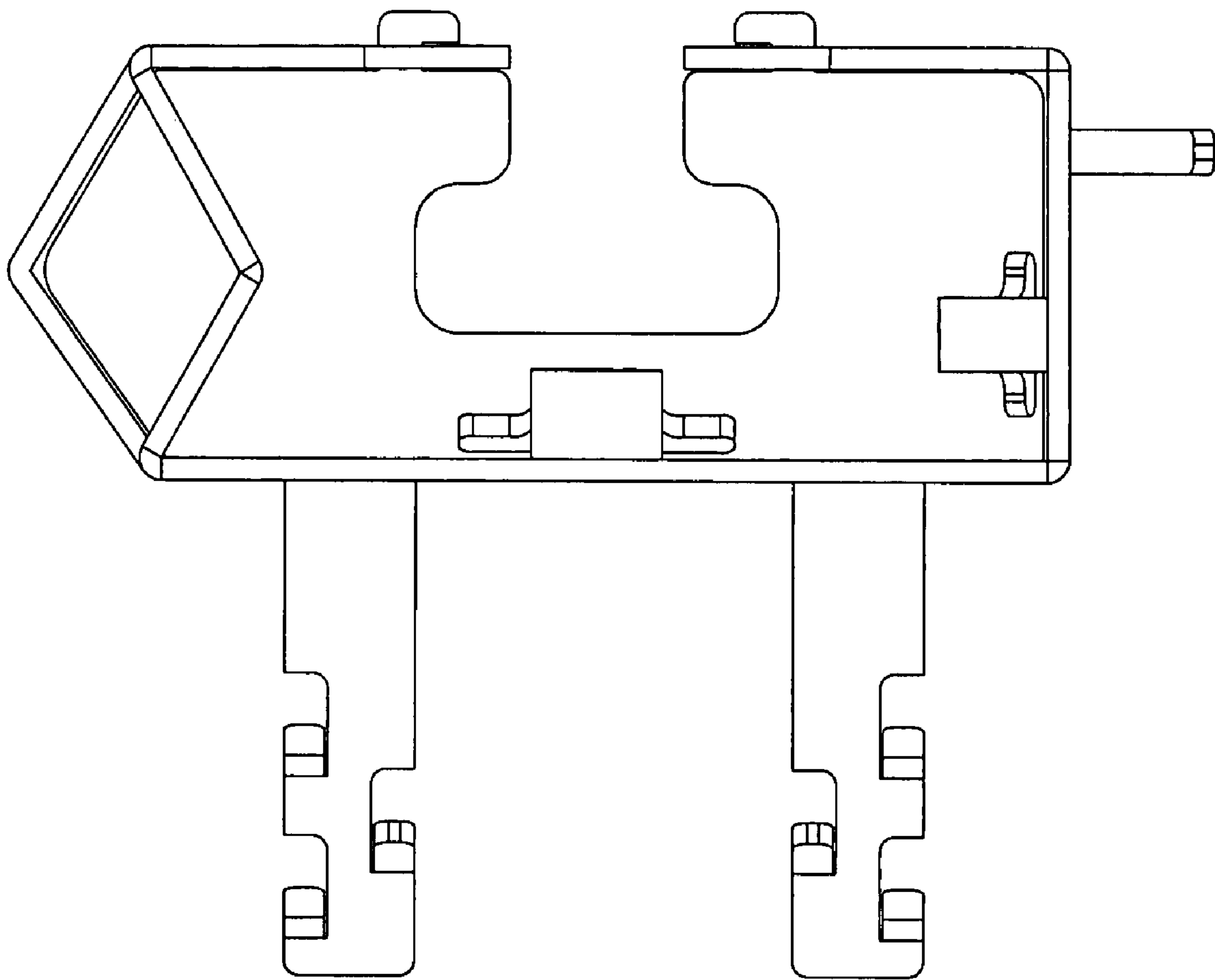


FIGURE 9

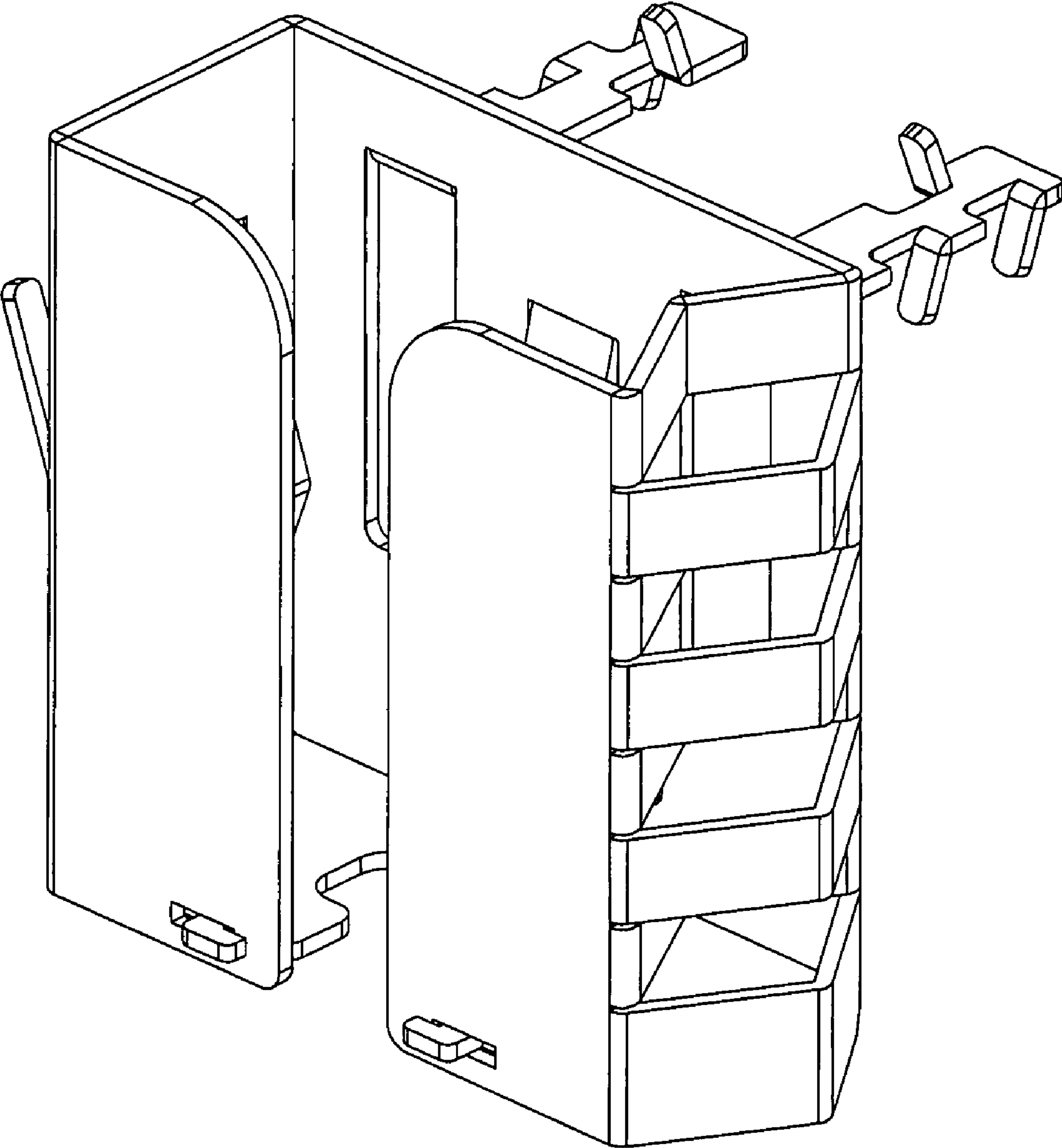


FIGURE 10