



US00D596169S

(12) **United States Design Patent**
Bicket et al.

(10) **Patent No.:** **US D596,169 S**
(45) **Date of Patent:** **** Jul. 14, 2009**

(54) **HOUSING FOR ELECTRONICS DEVICE**

(75) Inventors: **John Bicket**, Mountain View, CA (US);
Sanjit Biswas, Mountain View, CA
(US); **Morgan Teachworth**, Mountain
View, CA (US); **Benjamin Calderon**,
Mountain View, CA (US)

(73) Assignee: **Meraki, Inc.**, San Francisco, CA (US)

(**) Term: **14 Years**

(21) Appl. No.: **29/295,197**

(22) Filed: **Sep. 21, 2007**

(51) **LOC (9) Cl.** **14-02**

(52) **U.S. Cl.** **D14/240**

(58) **Field of Classification Search** D14/356,
D14/358, 233, 240, 242, 300, 348, 388, 433,
D14/155; D13/184, 137.2, 107, 108, 144;
360/69; 379/220.1, 220.14, 25, 93.09, 93.15,
379/156, 900, 338, 329; 381/124; 607/36;
307/10.1; 439/668

See application file for complete search history.

(56) **References Cited**

U.S. PATENT DOCUMENTS

D432,527 S * 10/2000 DeLeon D14/240
D477,603 S * 7/2003 Chen D14/433
D484,879 S * 1/2004 Jones D14/358
D495,665 S * 9/2004 Stekelenburg D13/168

D506,996 S * 7/2005 Nilsen D14/240
D543,513 S * 5/2007 Allen et al. D13/184
D556,678 S * 12/2007 Weinstein et al. D13/103
D577,721 S * 9/2008 O'Neil D14/358
D579,010 S * 10/2008 Tseng D14/242
D580,853 S * 11/2008 Ahlgren D13/107

* cited by examiner

Primary Examiner—Charles A Rademaker

Assistant Examiner—Charles D Hanson

(74) *Attorney, Agent, or Firm*—Townsend and Townsend and
Crew, LLP

(57) **CLAIM**

The ornamental design for housing for electronics device, as
shown and described.

DESCRIPTION

The design comprises a housing for electronics device for
enclosing electronics, such as circuitry for a network router.

FIG. 1 is a perspective view of a housing for electronics
device showing our new design;

FIG. 2 is a front elevational view thereof;

FIG. 3 is a bottom plan view thereof;

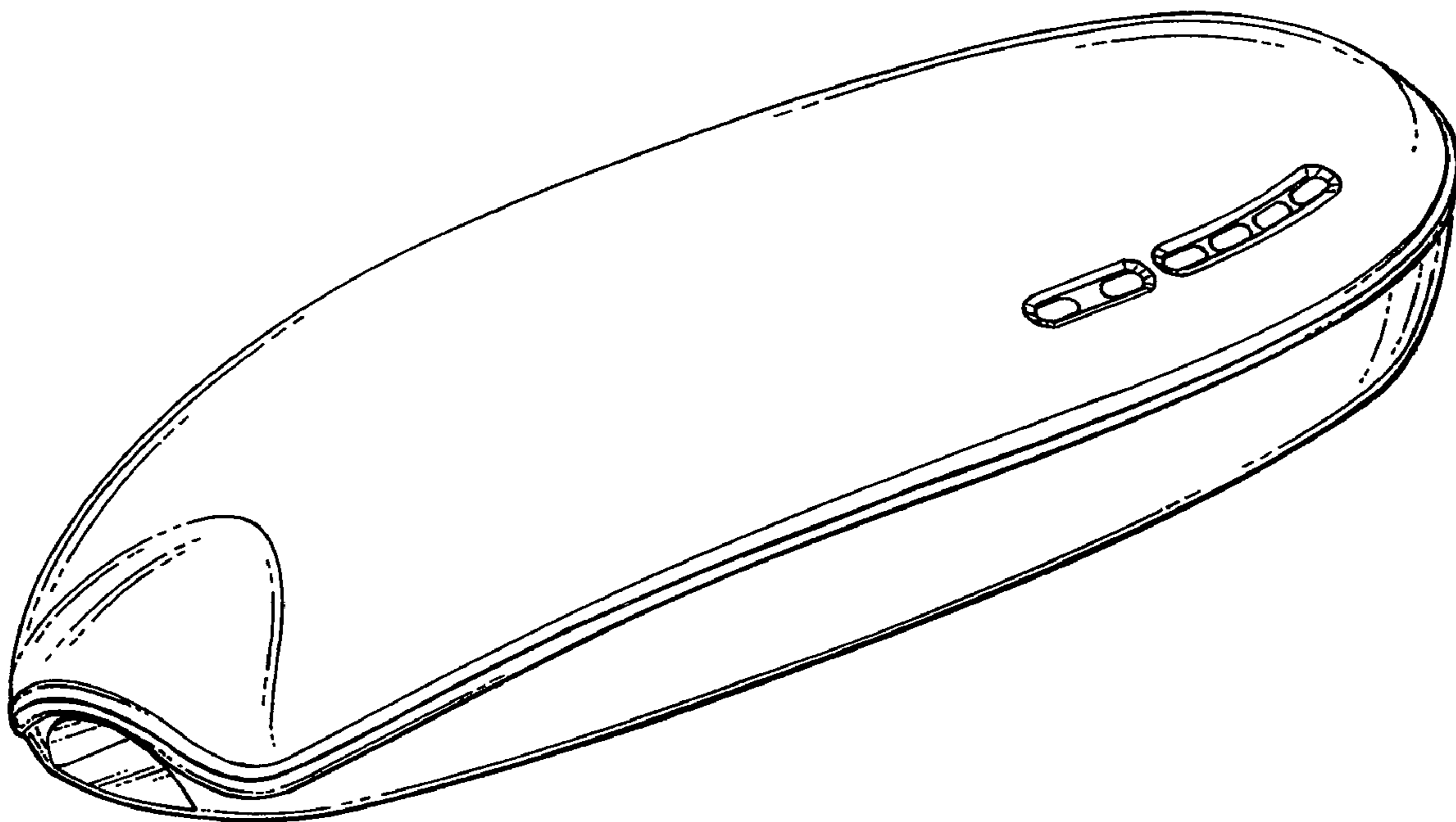
FIG. 4 is a right side elevational view thereof;

FIG. 5 is a left side elevational view thereof;

FIG. 6 is a top plan view thereof; and,

FIG. 7 is a rear elevational view thereof.

1 Claim, 4 Drawing Sheets



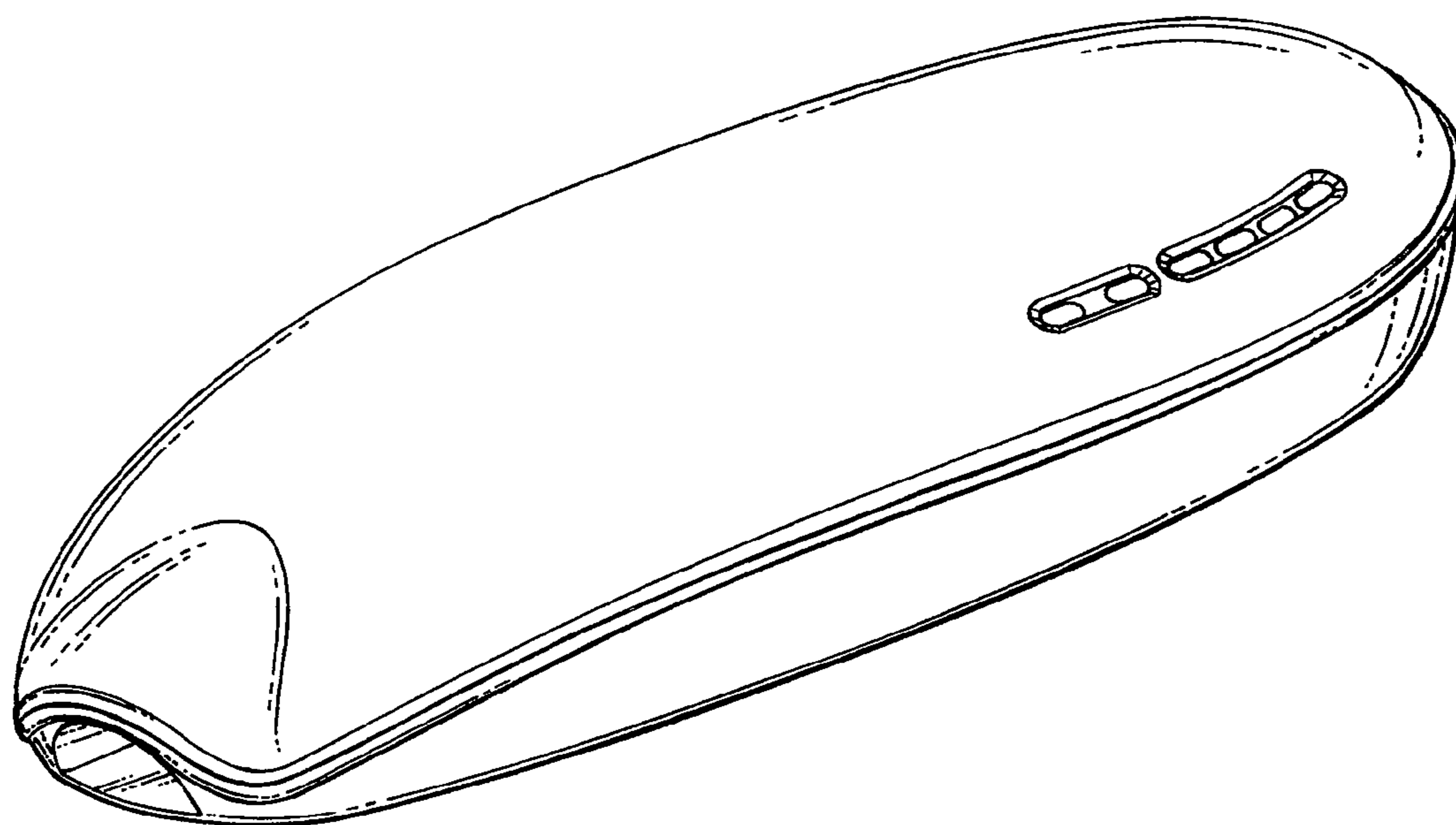


FIG. 1

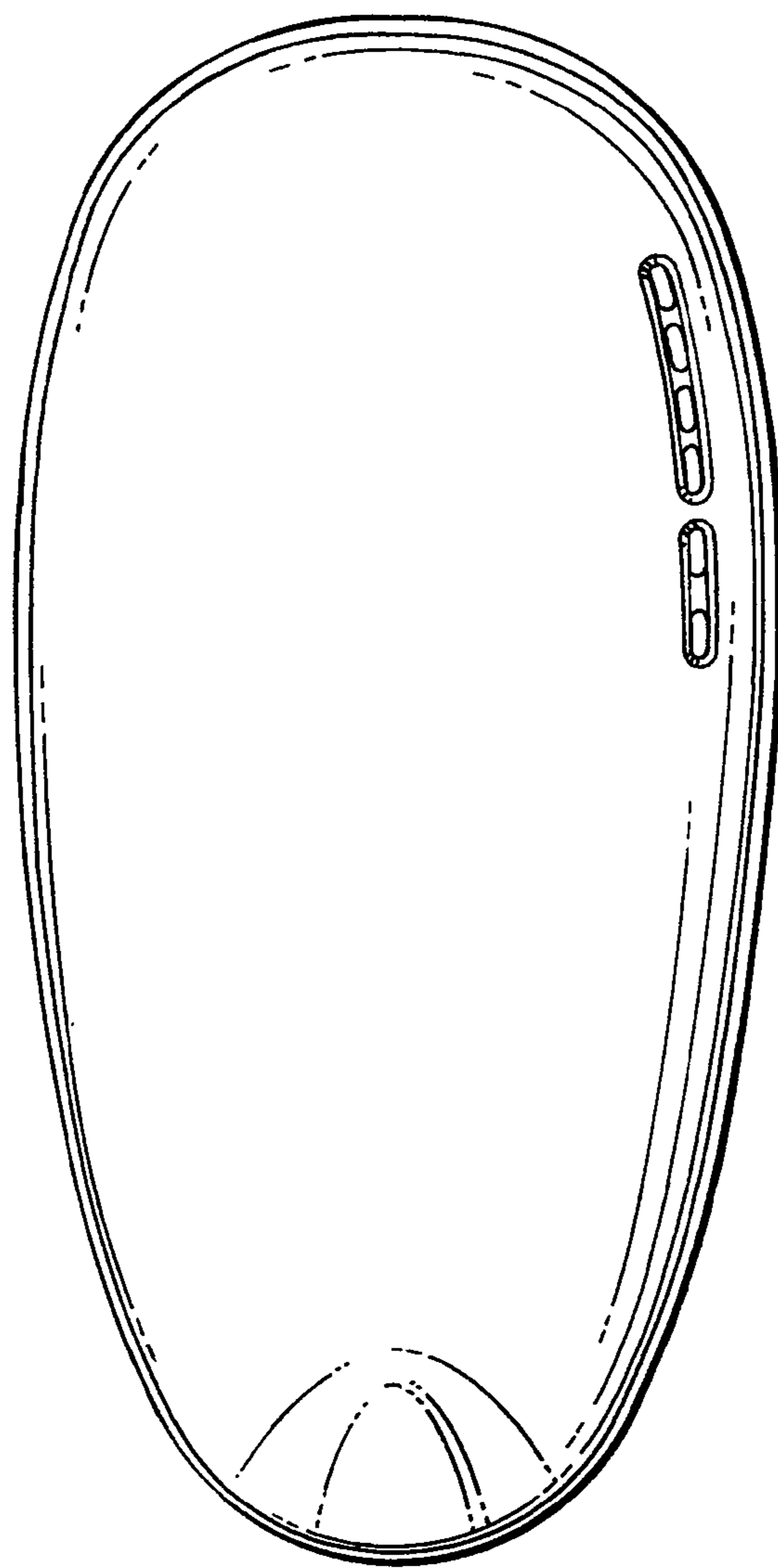


FIG. 2

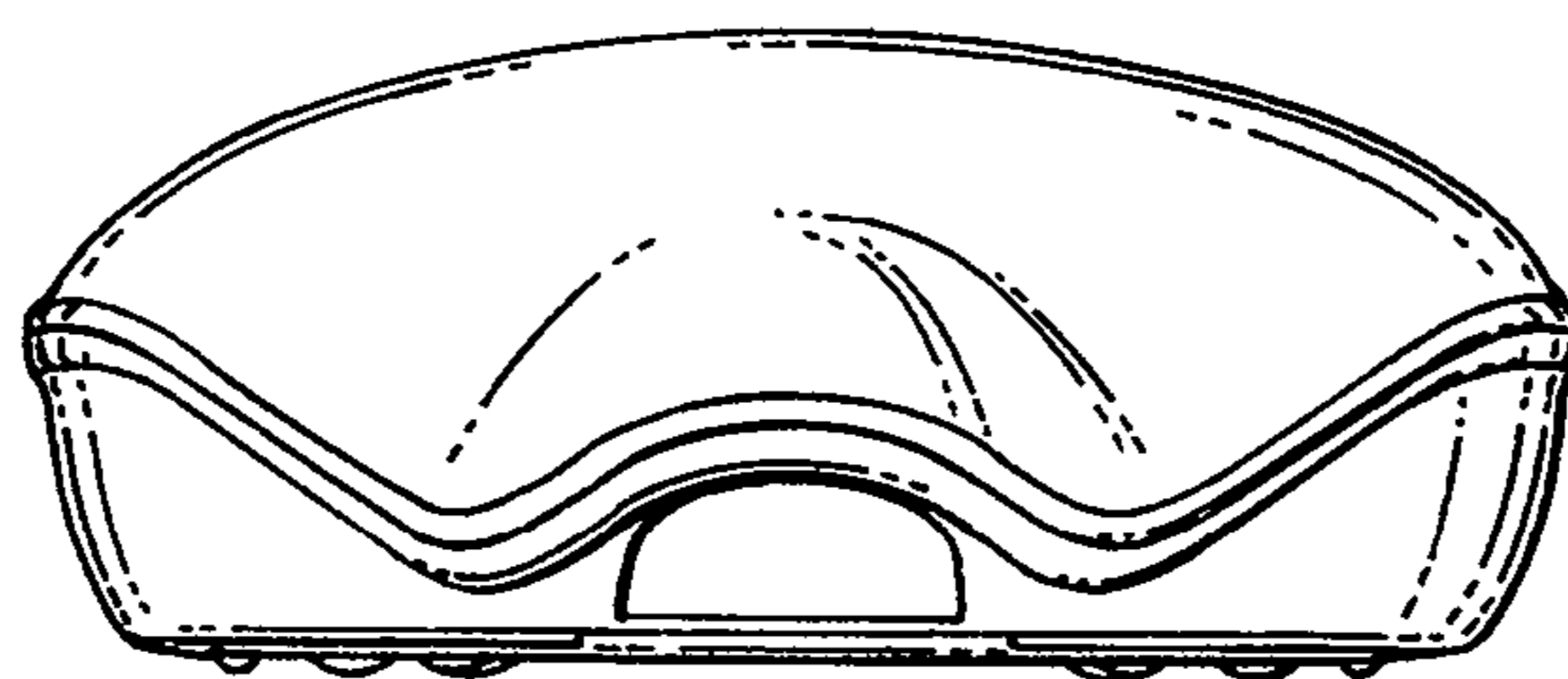


FIG. 3

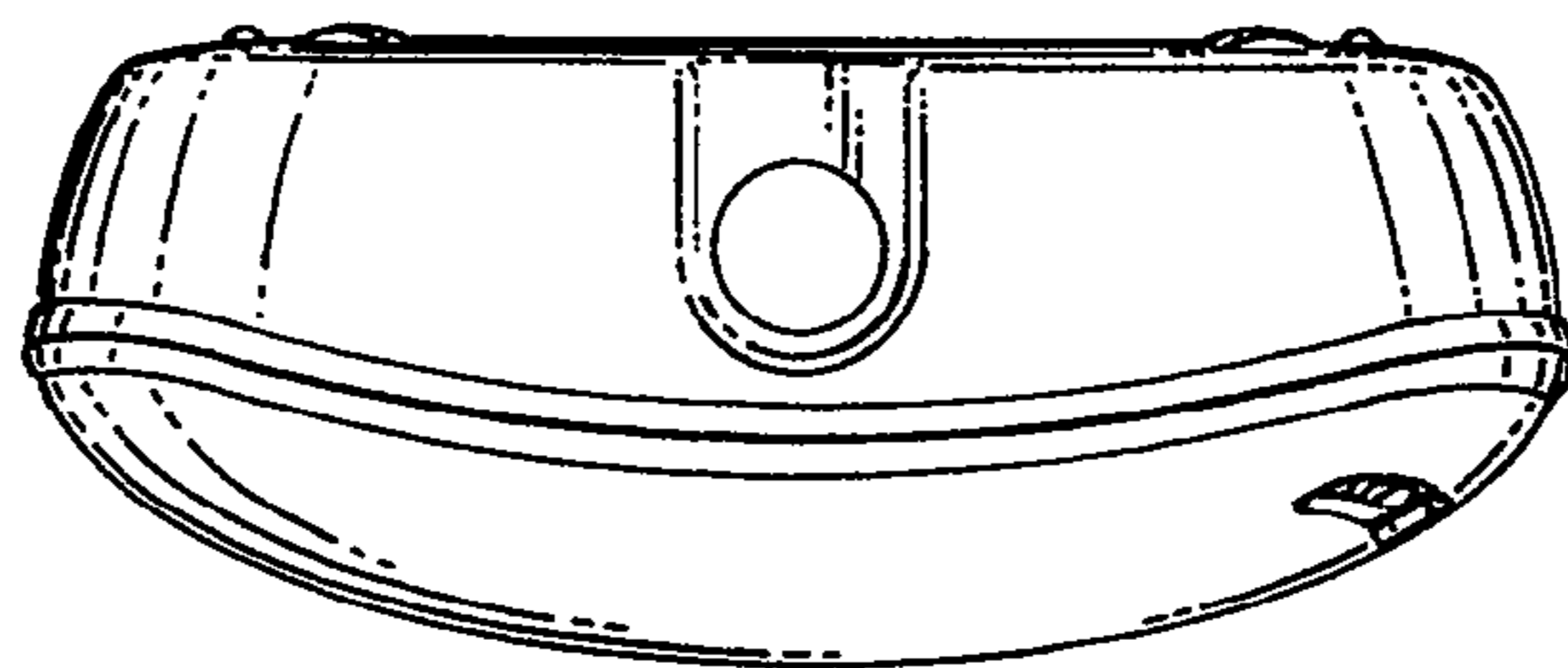


FIG. 6

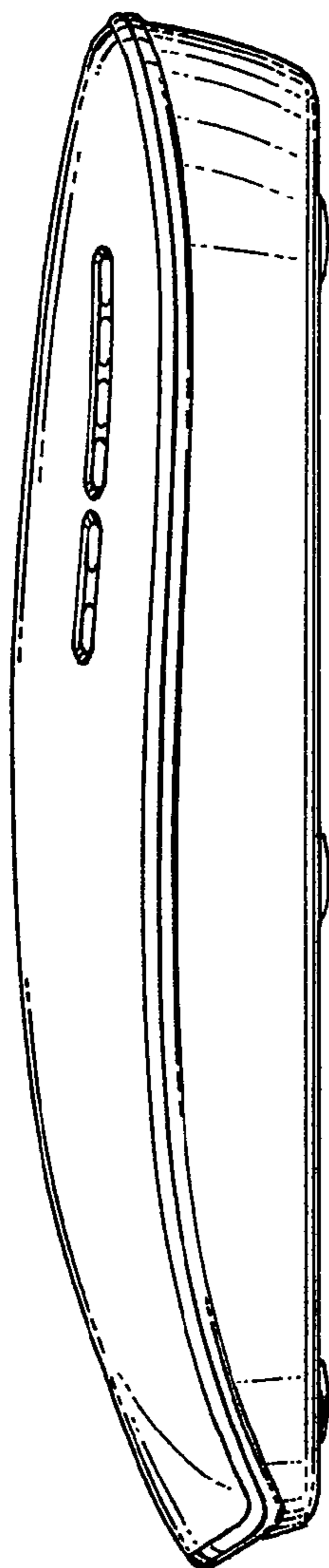


FIG. 4

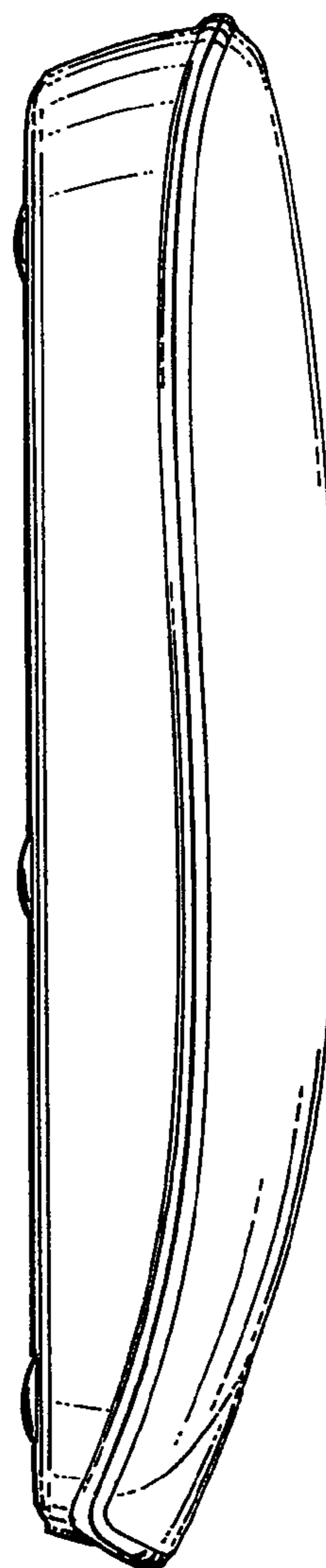


FIG. 5

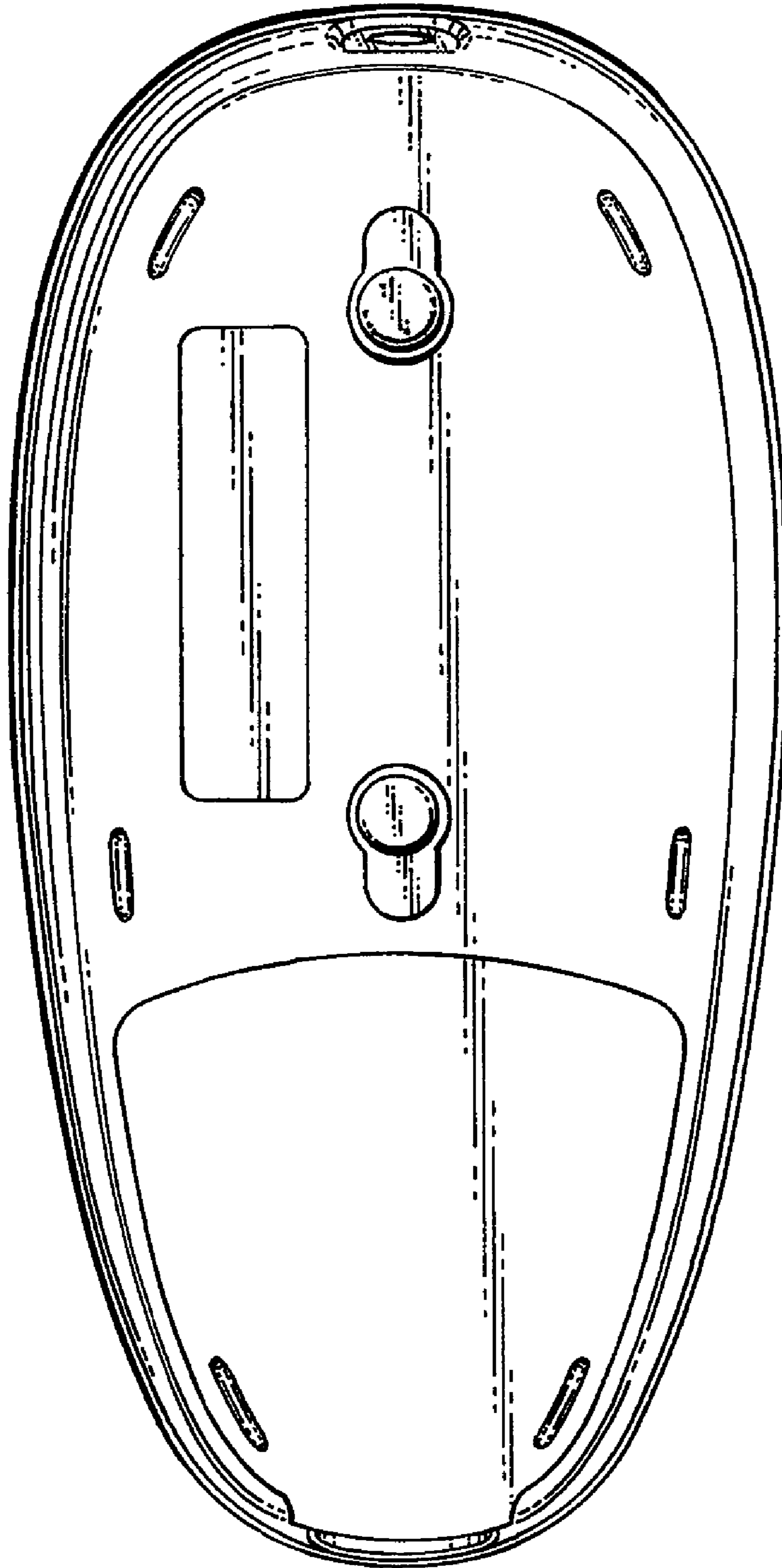


FIG. 7