



US00D596166S

(12) **United States Design Patent**  
**Henning**

(10) **Patent No.:** **US D596,166 S**  
(45) **Date of Patent:** **\*\* Jul. 14, 2009**

(54) **HEADSET**

(75) Inventor: **Simon Henning**, Malmö (SE)

(73) Assignee: **Sony Ericsson Mobile Communications AB**, Lund (SE)

(\*\*) Term: **14 Years**

(21) Appl. No.: **29/329,041**

(22) Filed: **Dec. 8, 2008**

(30) **Foreign Application Priority Data**

Jun. 13, 2008 (EM) ..... 000950498-0003

(51) **LOC (9) Cl.** ..... **14-01**

(52) **U.S. Cl.** ..... **D14/223**

(58) **Field of Classification Search** ..... D14/205,  
D14/206, 223, 142, 192, 188, 215, 219, 212;  
455/575.1, 575.2, 575.8, 90.1; 181/129,  
181/130; 379/430, 433.01, 420.01, 420.04;  
381/380, 381, 370, 375; D10/104

See application file for complete search history.

(56) **References Cited**

**U.S. PATENT DOCUMENTS**

D450,337 S \* 11/2001 Hamamura ..... D16/237  
D484,467 S \* 12/2003 de Leon ..... D13/168  
D490,070 S \* 5/2004 Lee ..... D14/188  
D523,414 S \* 6/2006 Kobayashi ..... D14/188  
D535,307 S \* 1/2007 Yagi ..... D15/136  
D553,613 S \* 10/2007 Sade et al. .... D14/223  
D554,626 S \* 11/2007 Christopher ..... D14/223  
D555,150 S \* 11/2007 Christopher et al. .... D14/223  
D559,836 S \* 1/2008 Lee ..... D14/223  
D566,692 S \* 4/2008 Sade et al. .... D14/223

D569,842 S \* 5/2008 Yang ..... D14/205  
D573,139 S \* 7/2008 Birger ..... D14/223  
D573,140 S \* 7/2008 Tsai et al. .... D14/223  
D573,582 S \* 7/2008 Ma ..... D14/205  
D574,367 S \* 8/2008 Jaakkola et al. .... D14/223  
D575,276 S \* 8/2008 Bradford et al. .... D14/223  
D576,609 S \* 9/2008 Bradford et al. .... D14/223  
D578,111 S \* 10/2008 Shinozuka et al. .... D14/223  
D578,516 S \* 10/2008 Christopher ..... D14/223  
D579,924 S \* 11/2008 Sade et al. .... D14/223  
D579,925 S \* 11/2008 Jaakkola et al. .... D14/223  
D581,396 S \* 11/2008 Wikel et al. .... D14/206  
D582,897 S \* 12/2008 Christopher et al. .... D14/223  
D583,805 S \* 12/2008 Jaakkola et al. .... D14/223  
D588,113 S \* 3/2009 Bradford ..... D14/223  
D590,814 S \* 4/2009 Bradford ..... D14/223

\* cited by examiner

*Primary Examiner*—Paula Greene

(74) *Attorney, Agent, or Firm*—Renner, Otto, Boisselle & Sklar, LLP

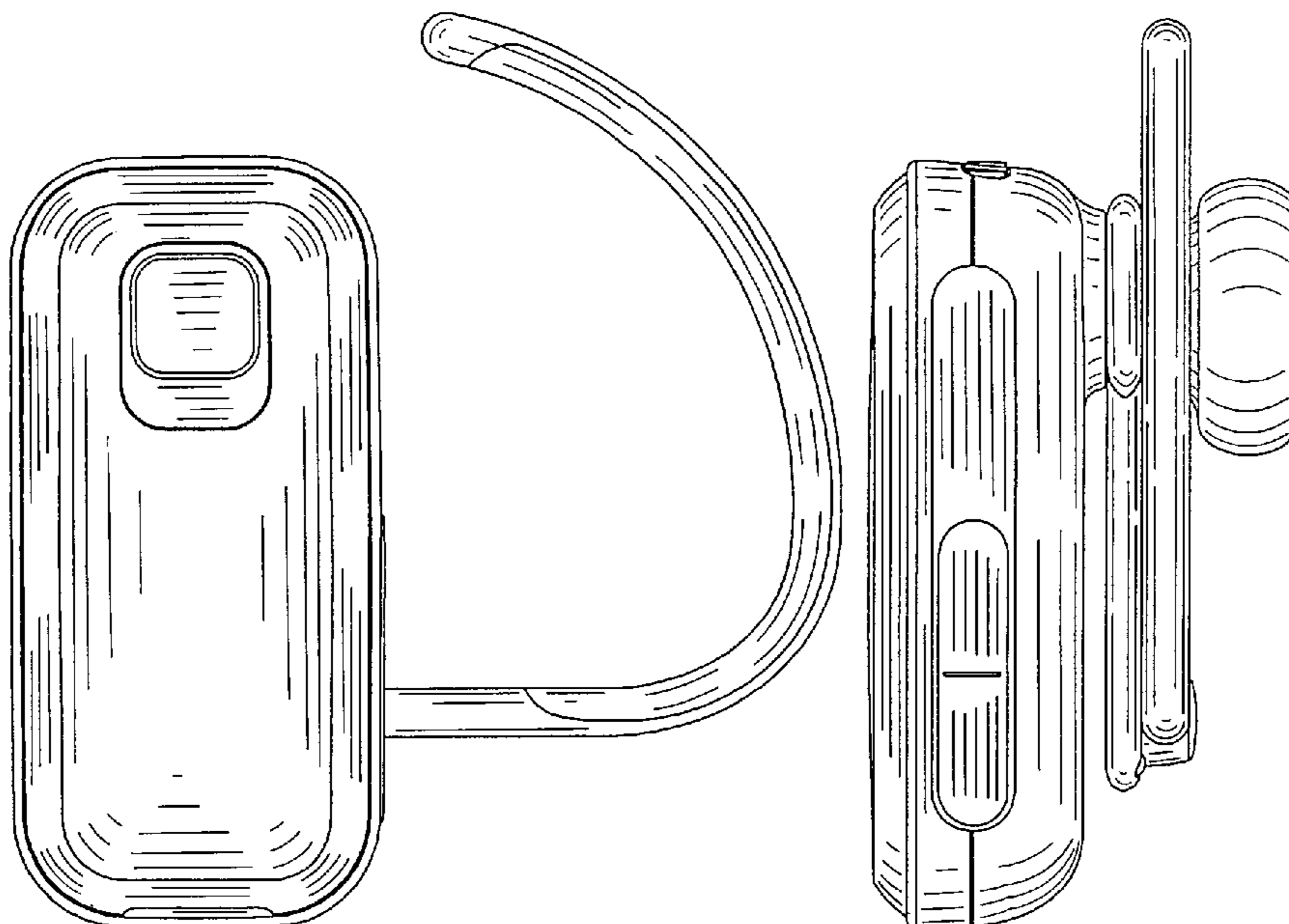
(57) **CLAIM**

The ornamental design for a headset, as shown and described.

**DESCRIPTION**

FIG. 1 is a front view of a headset showing my design;  
FIG. 2 is a rear view thereof, the portion behind the ear hook is plane and unornamented;  
FIG. 3 is a left side view thereof;  
FIG. 4 is a right side view thereof;  
FIG. 5 is a top view thereof;  
FIG. 6 is a bottom view thereof; and,  
FIG. 7 is a perspective view thereof.

**1 Claim, 3 Drawing Sheets**



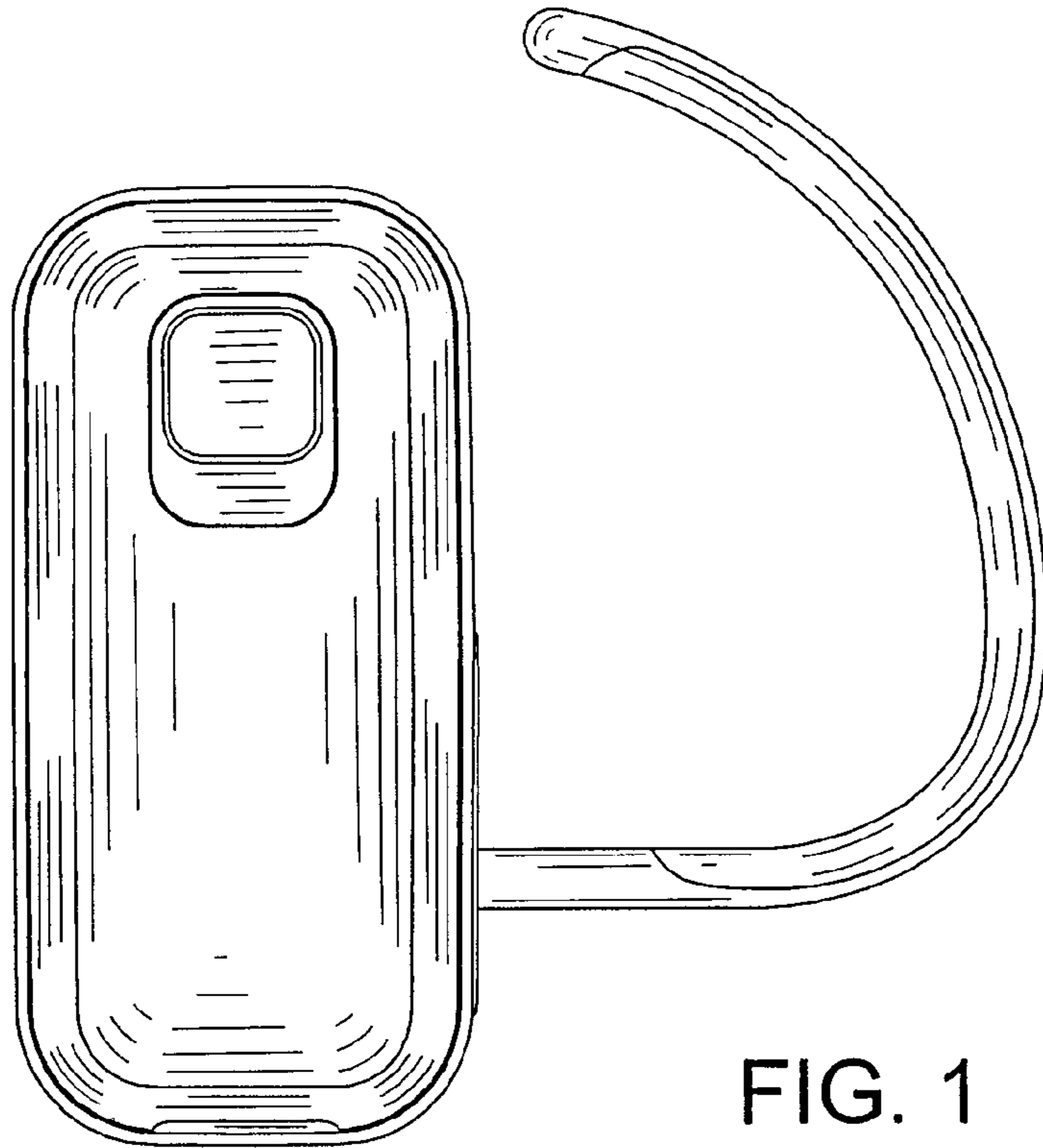


FIG. 1

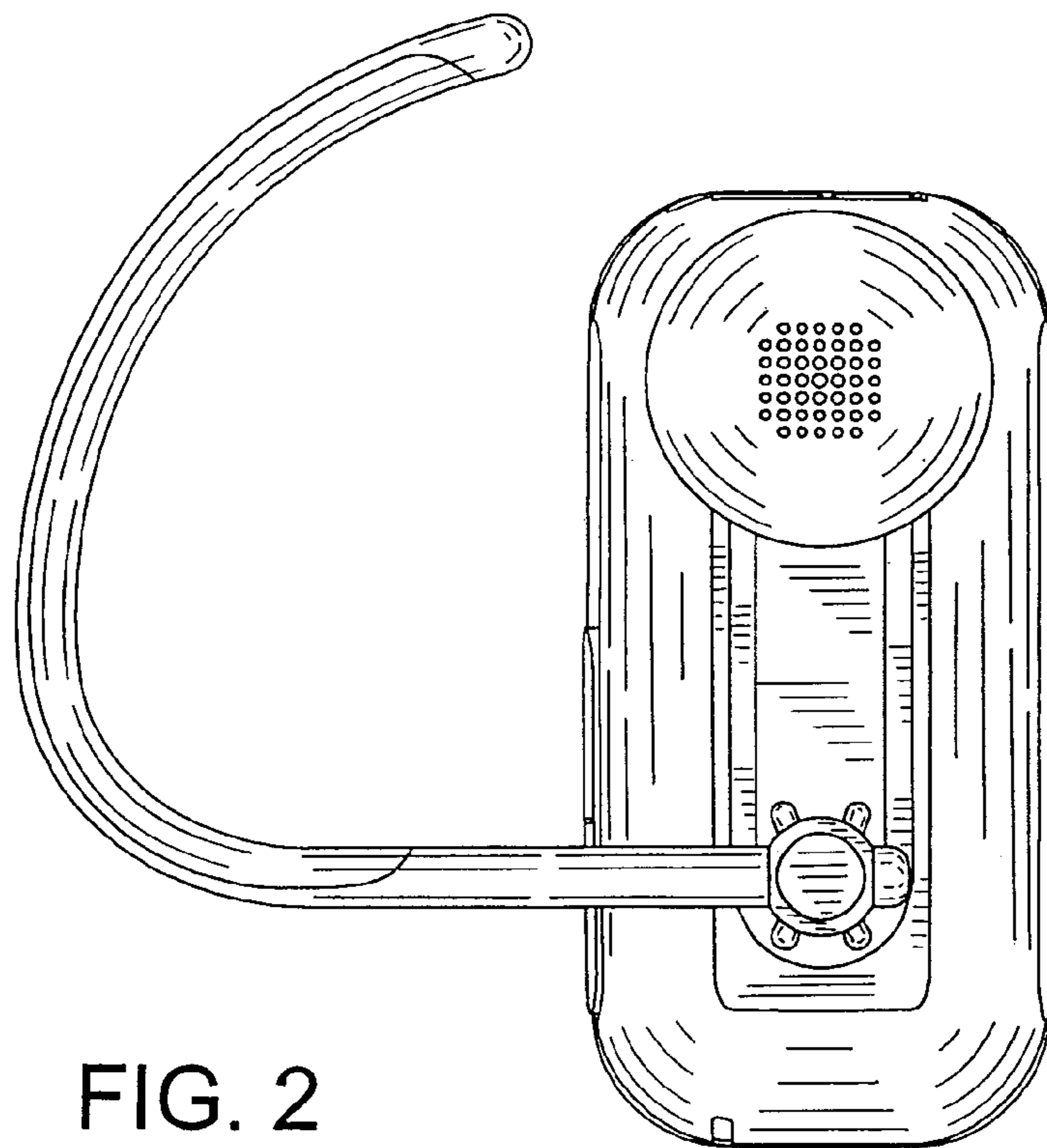


FIG. 2

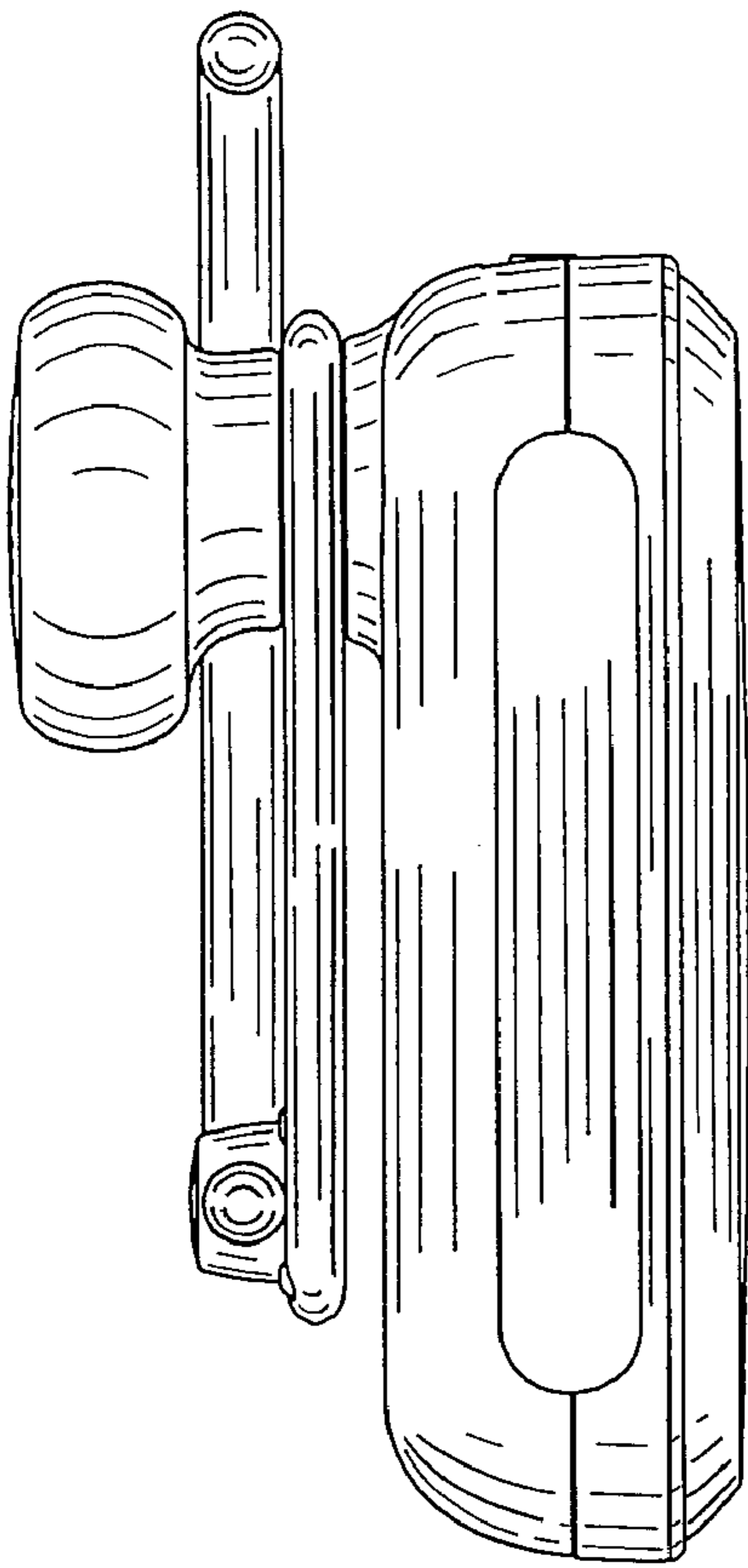


FIG. 3

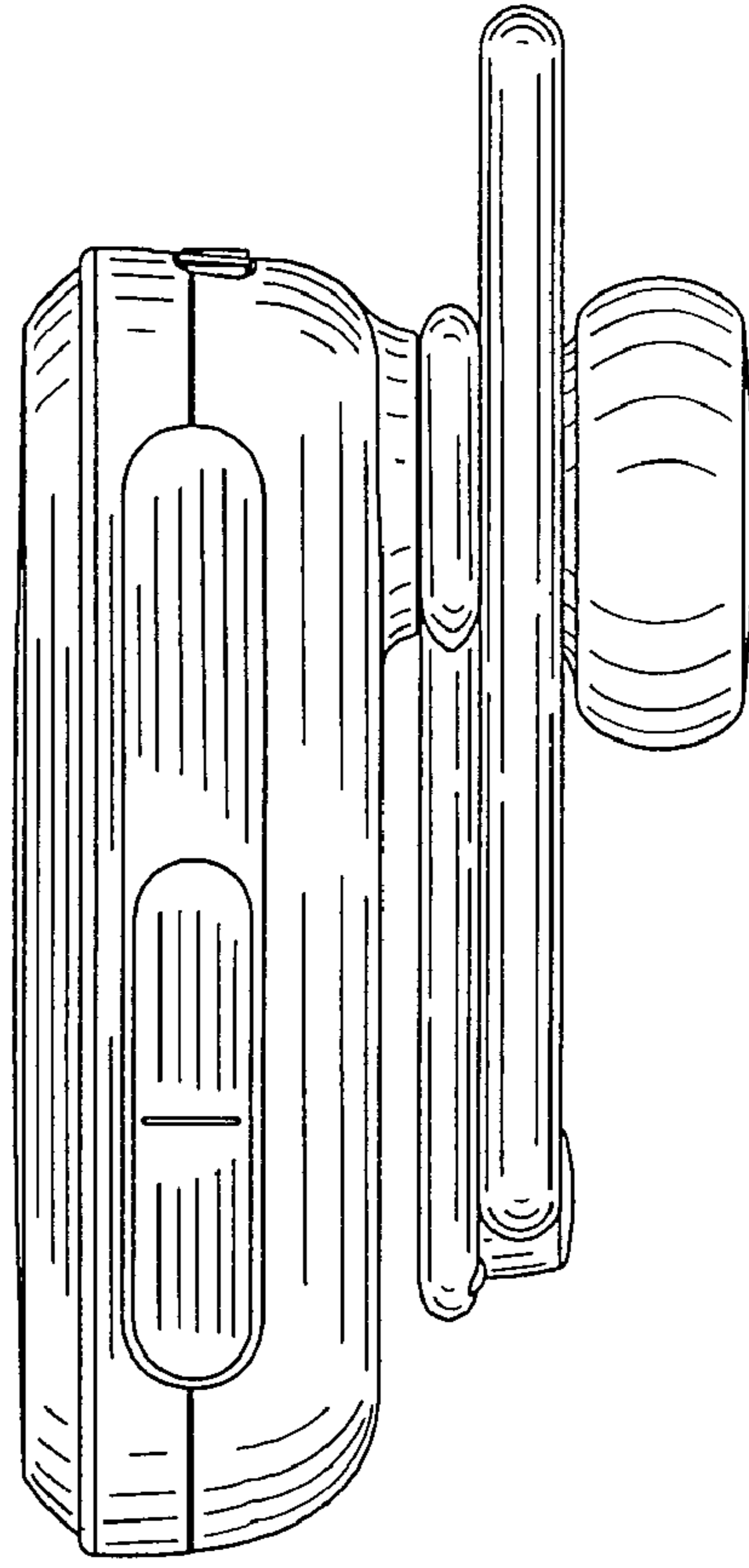


FIG. 4

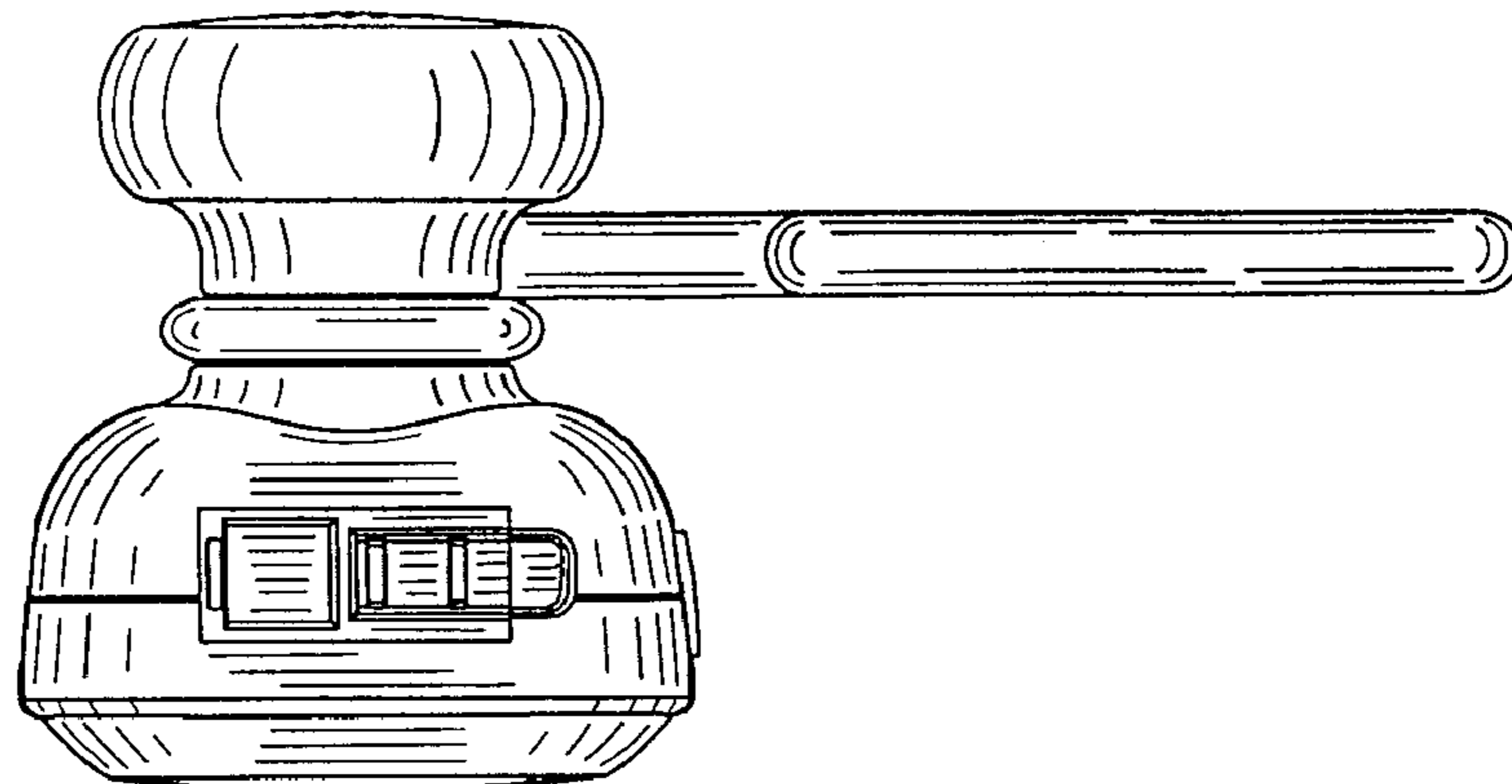


FIG. 5

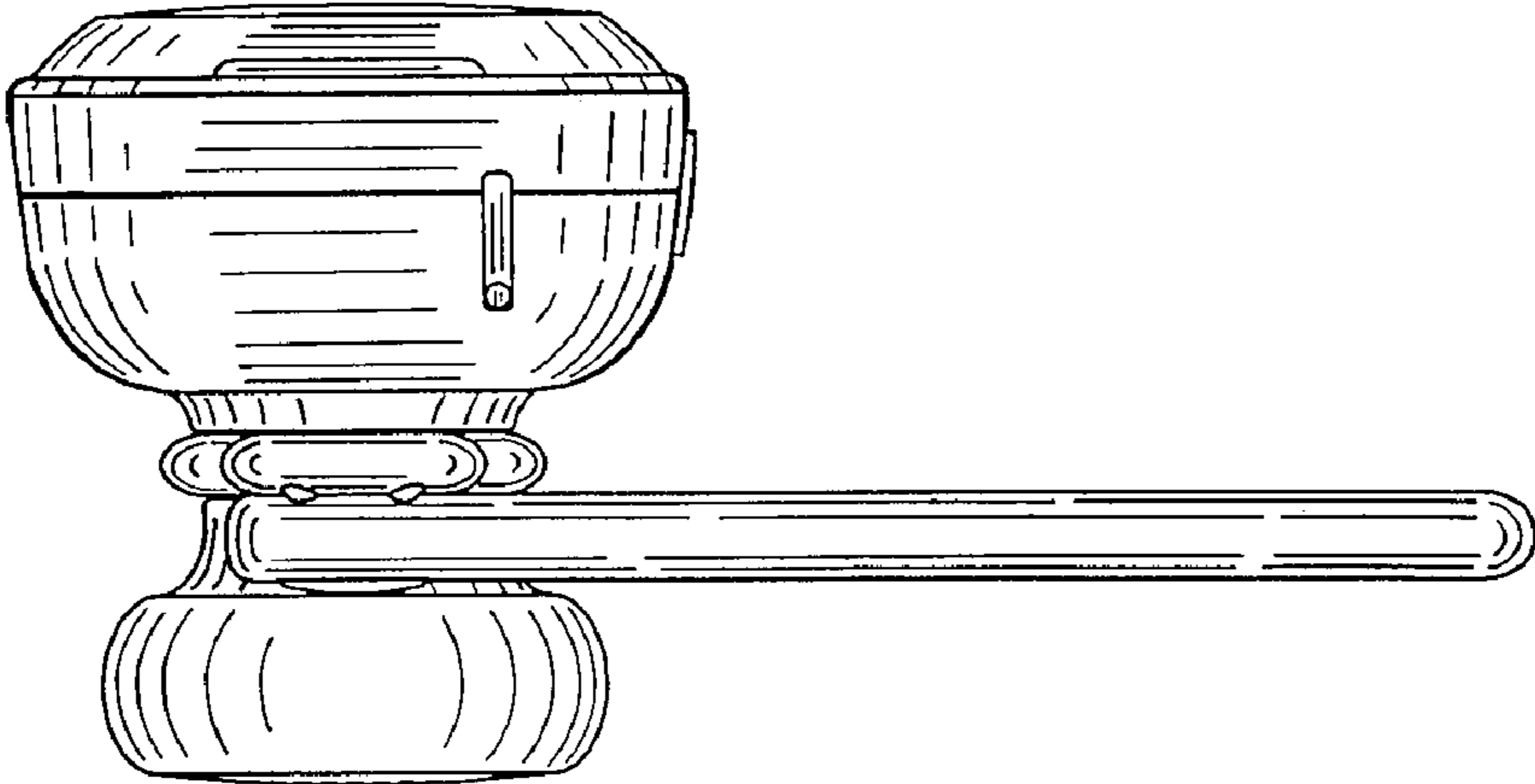


FIG. 6

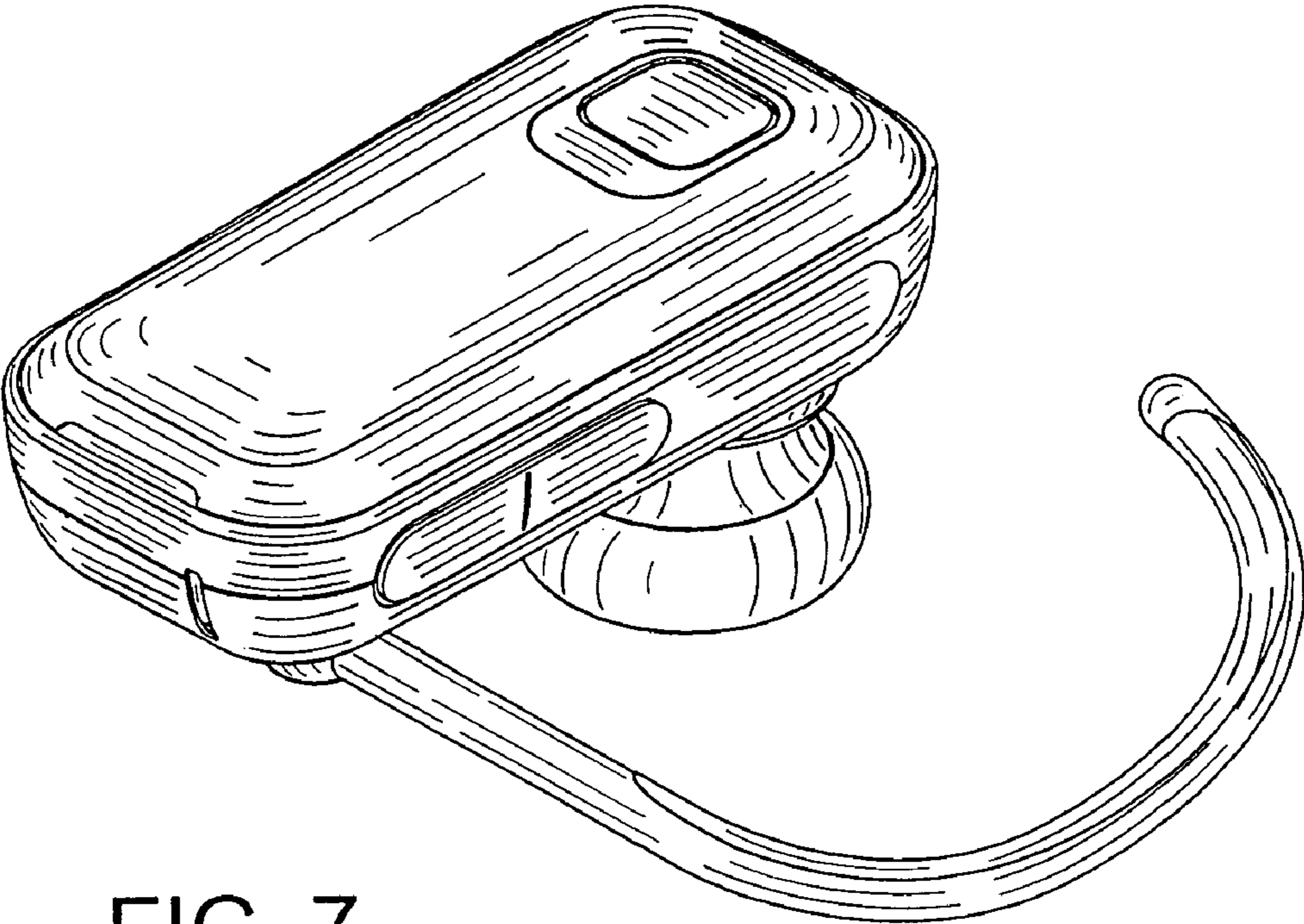


FIG. 7