



US00D596162S

(12) **United States Design Patent**
Selvaraj et al.

(10) **Patent No.:** **US D596,162 S**

(45) **Date of Patent:** **** Jul. 14, 2009**

(54) **PORTABLE DOCKING STATION WITH RADIO**

(75) Inventors: **Moorthy Selvaraj**, Hong Kong (HK);
Roman S. Ferber, West Bloomfield, MI (US)

(73) Assignee: **FKA Distributing Co.**, Commerce Township, MI (US)

(**) Term: **14 Years**

(21) Appl. No.: **29/330,018**

(22) Filed: **Dec. 26, 2008**

(51) **LOC (9) Cl.** **14-03**

(52) **U.S. Cl.** **D14/217; D14/194; D14/188; D14/168**

(58) **Field of Classification Search** D14/137, D14/138, 142, 149, 155, 157, 188, 189, 191-198, D14/203.1-203.8, 210-216, 217, 251, 253, D14/432-435.1, 447, 451, 474, 480.1-480.7, D14/496; D13/107, 108, 118; D3/218; 248/221.11, 248/309.1; 320/107, 110, 113-115; 361/600, 361/679, 683, 686; 439/529, 534; 455/556.1-556.2, 455/557

See application file for complete search history.

(56) **References Cited**

U.S. PATENT DOCUMENTS

D350,345 S *	9/1994	Lindeman et al.	D14/137
D545,810 S *	7/2007	Hussaini et al.	D14/168
D550,650 S *	9/2007	Patel et al.	D14/214
D552,080 S *	10/2007	Langberg et al.	D14/217
D558,185 S *	12/2007	Schul et al.	D14/168
D560,208 S *	1/2008	Skurdal	D14/217
D563,385 S *	3/2008	Skurdal	D14/217
D566,101 S *	4/2008	Griffin et al.	D14/217
D577,002 S *	9/2008	Kurihara	D14/170

D582,887 S *	12/2008	Poandl	D14/217
D583,356 S *	12/2008	Schul et al.	D14/168
2006/0274910 A1 *	12/2006	Schul et al.	381/334

* cited by examiner

Primary Examiner—Stella M Reid

Assistant Examiner—Keli L Hill

(74) *Attorney, Agent, or Firm*—Fraser Clemens Martin & Miller LLC; J. Douglas Miller

(57) **CLAIM**

The ornamental design for a portable docking station with radio, as shown and described.

DESCRIPTION

FIG. 1 is a perspective view of a portable docking station with radio incorporating our new design, wherein a portion of the portable docking station is in a first position;

FIG. 2 is a front elevational view thereof;

FIG. 3 is a rear elevational view thereof;

FIG. 4 is a top plan view thereof;

FIG. 5 is a bottom plan view thereof;

FIG. 6 is a left side elevational view thereof;

FIG. 7 is a right side elevational view thereof;

FIG. 8 is a perspective view of the portable docking station with radio, wherein the speaker portion of the portable docking station is in a second position;

FIG. 9 is a front elevational view thereof;

FIG. 10 is a rear elevational view thereof;

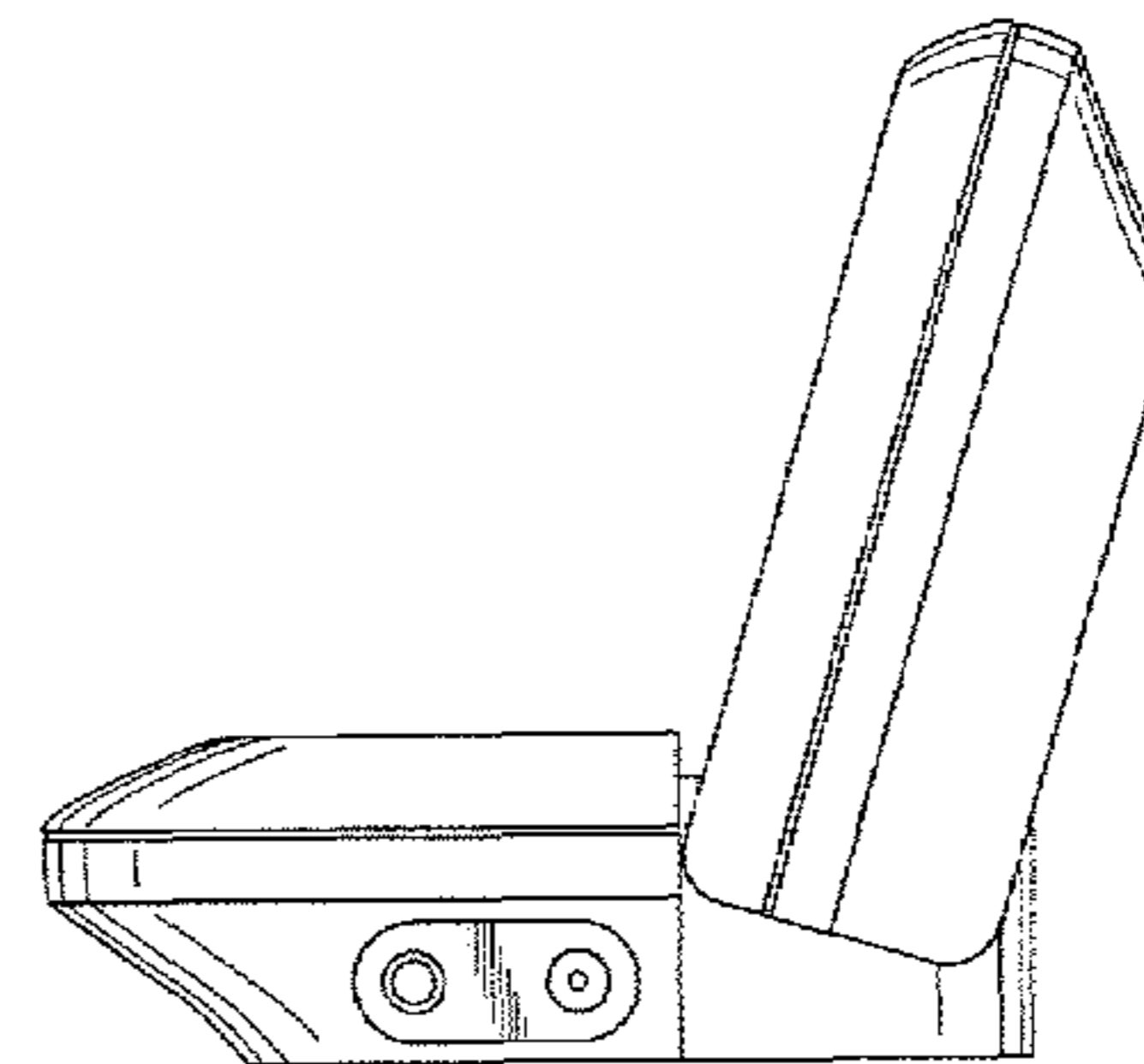
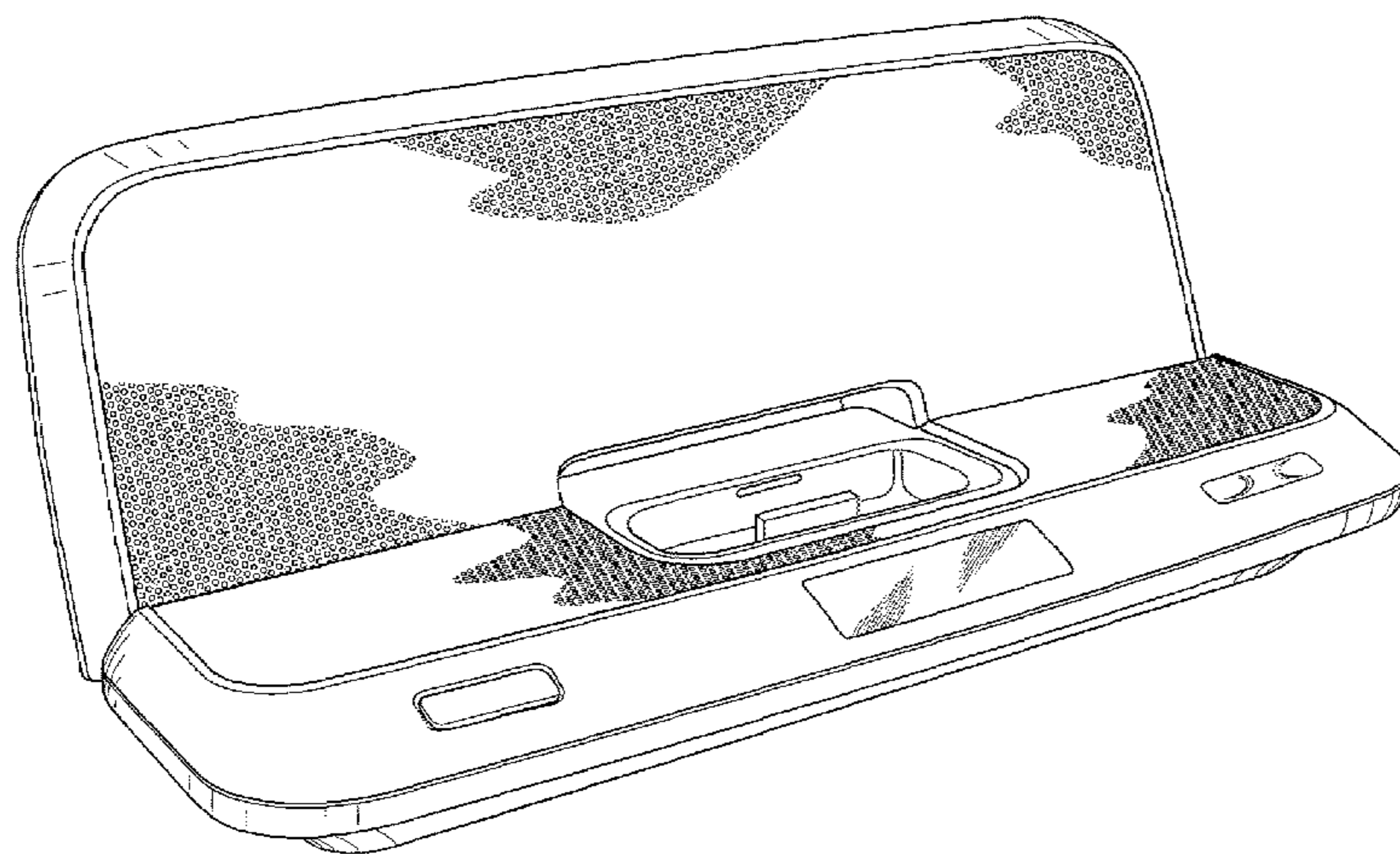
FIG. 11 is a top plan view thereof;

FIG. 12 is a bottom plan view thereof;

FIG. 13 is a left side elevational view thereof; and,

FIG. 14 is a right side elevational view thereof.

1 Claim, 7 Drawing Sheets



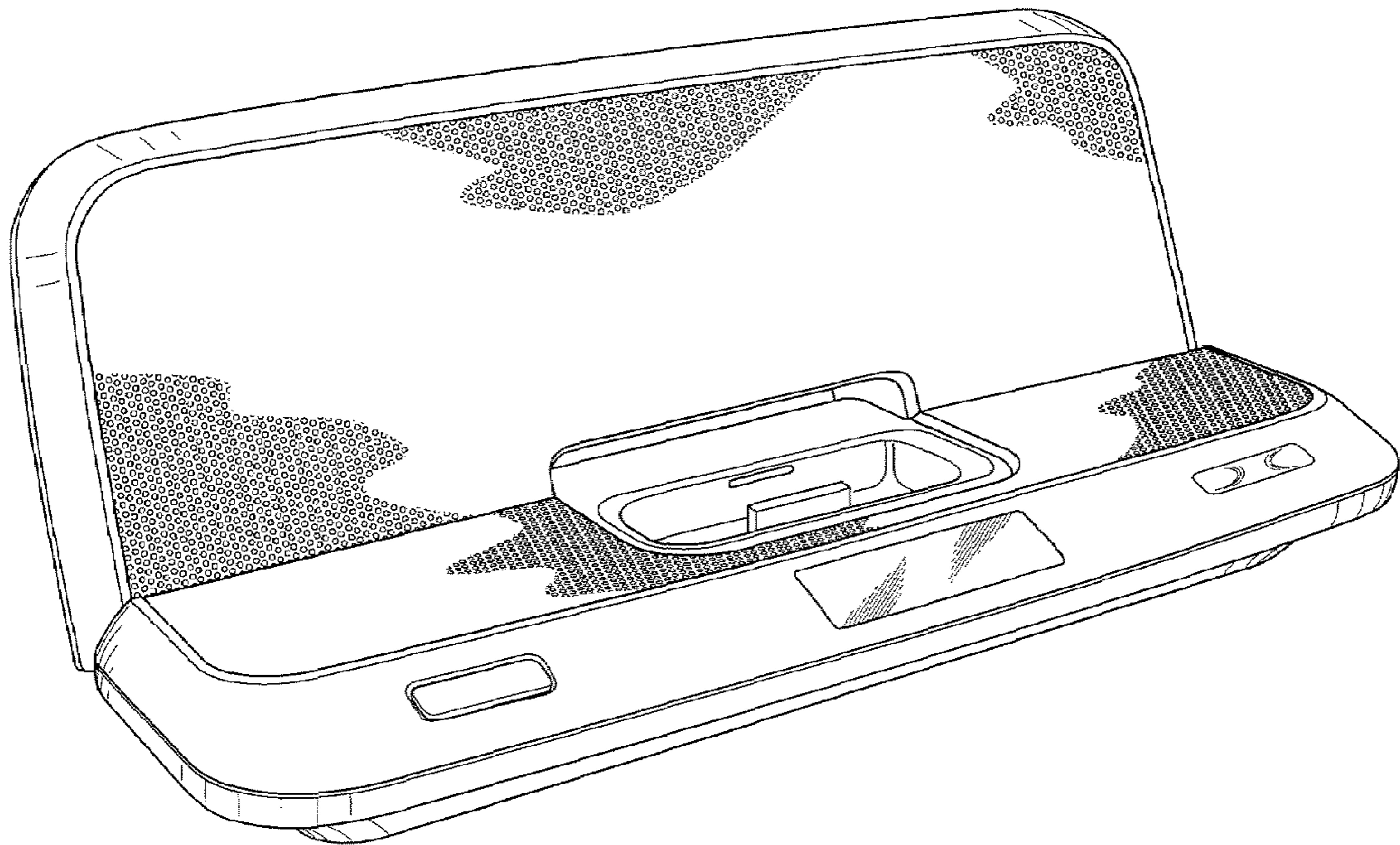


FIG. 1

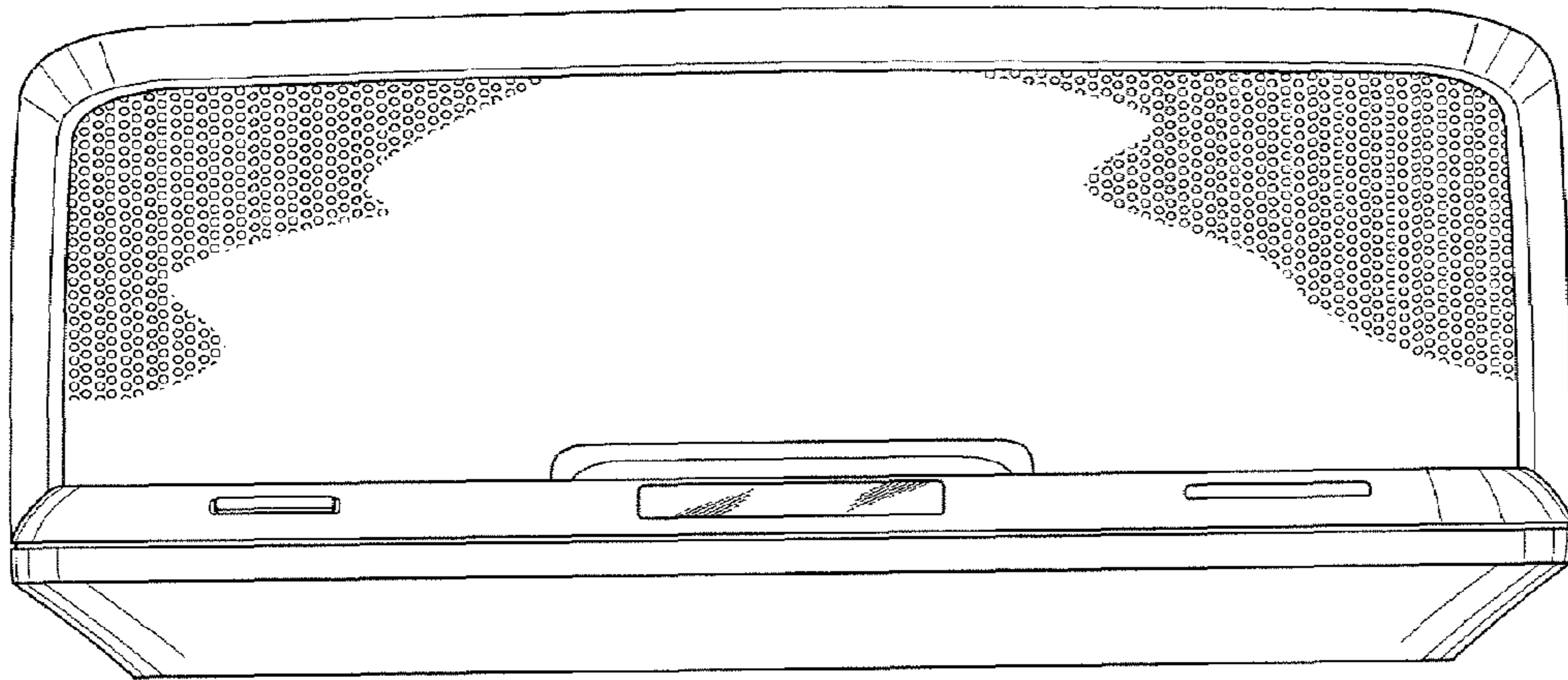


FIG. 2

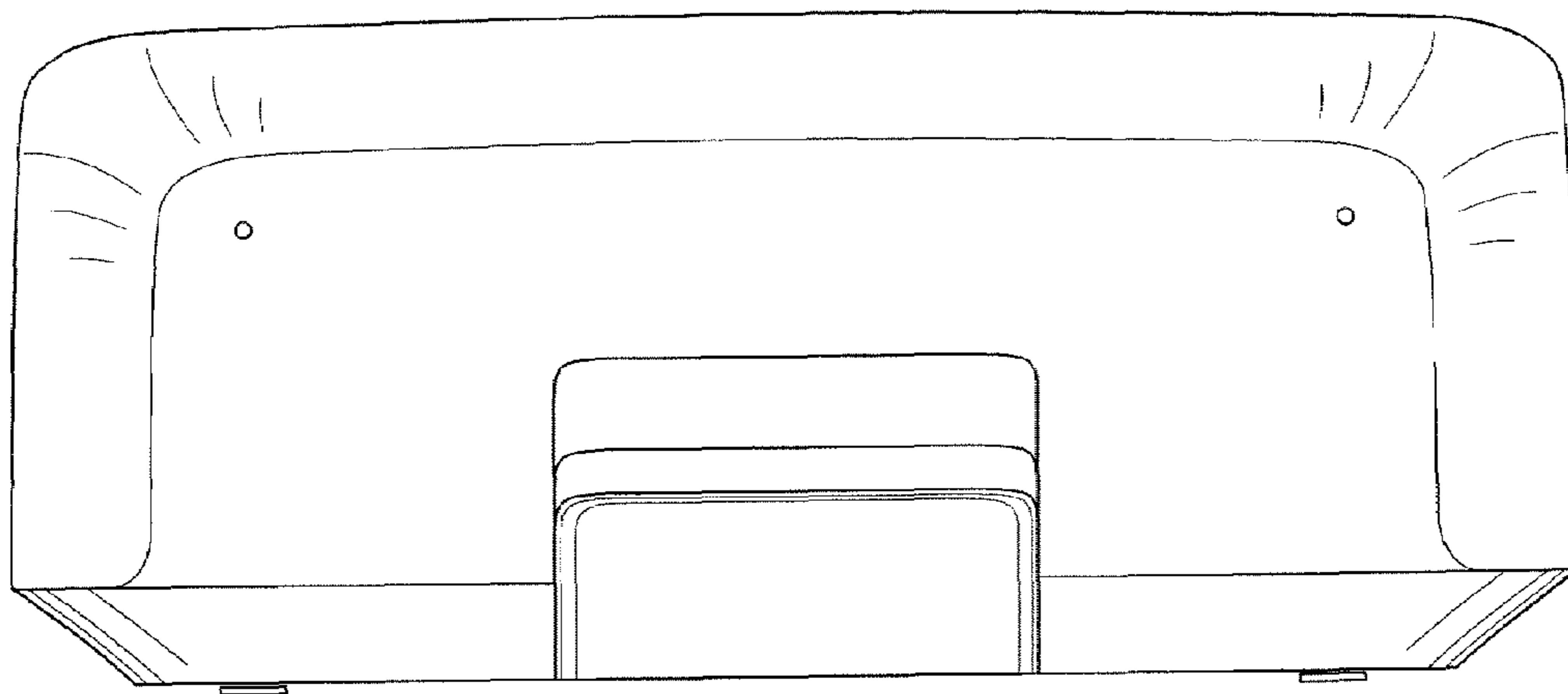


FIG. 3

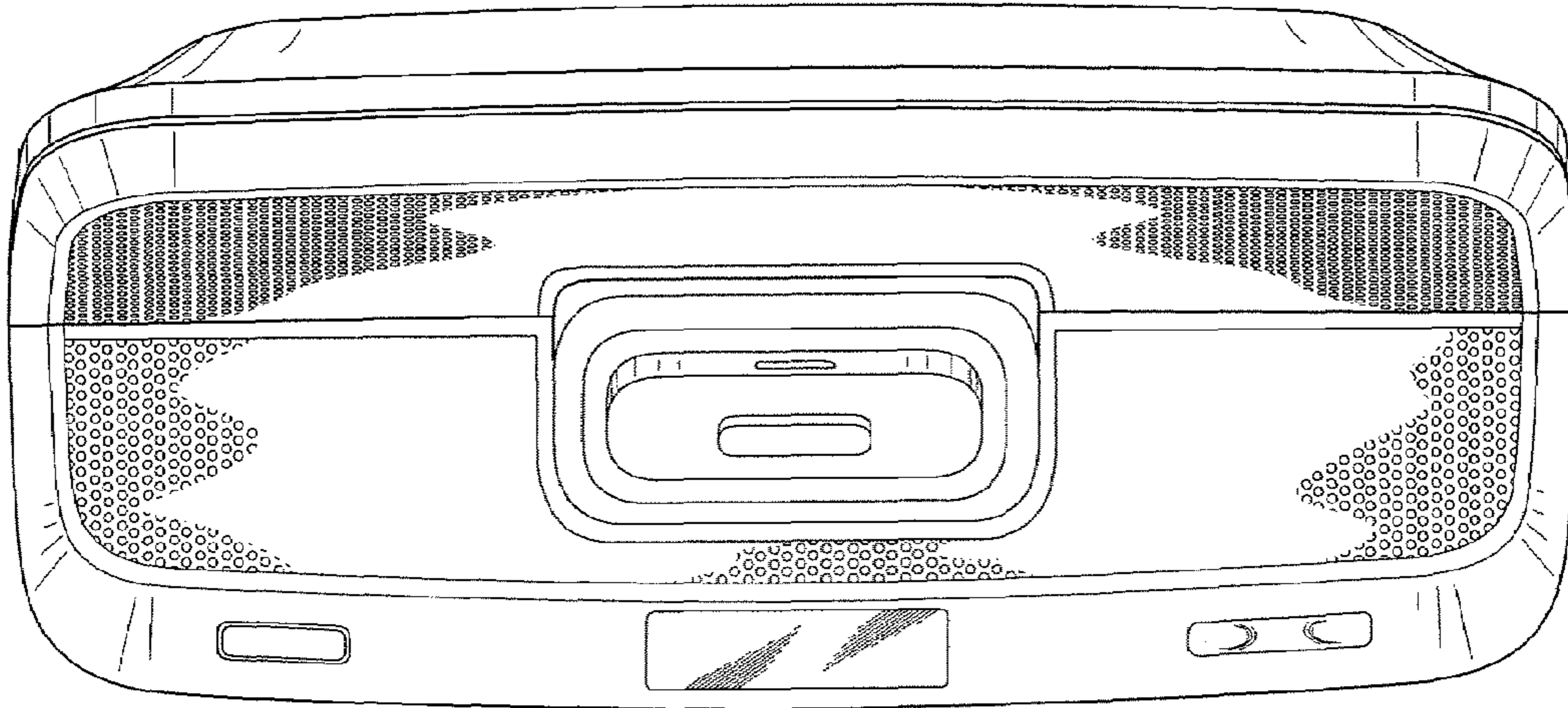


FIG. 4

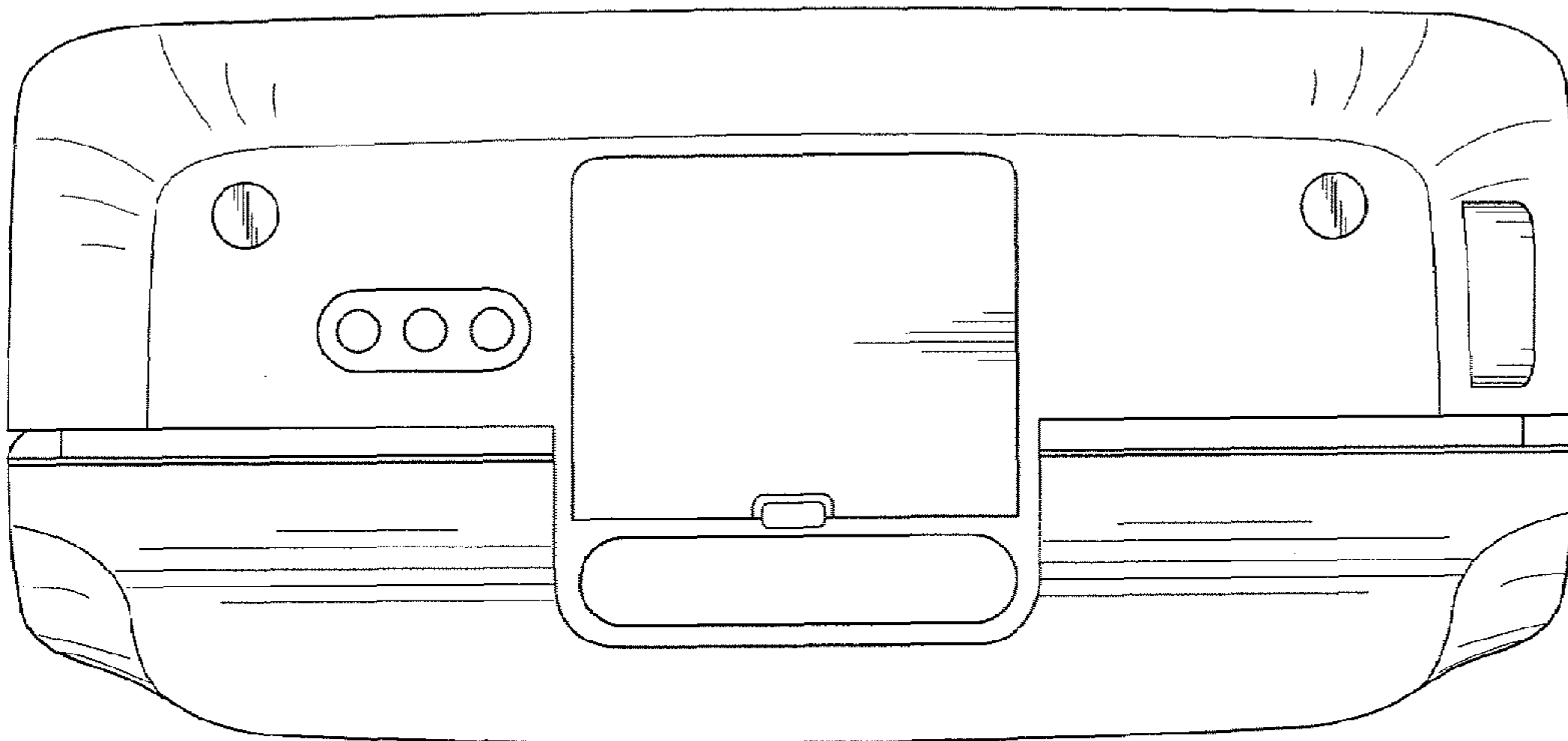


FIG. 5

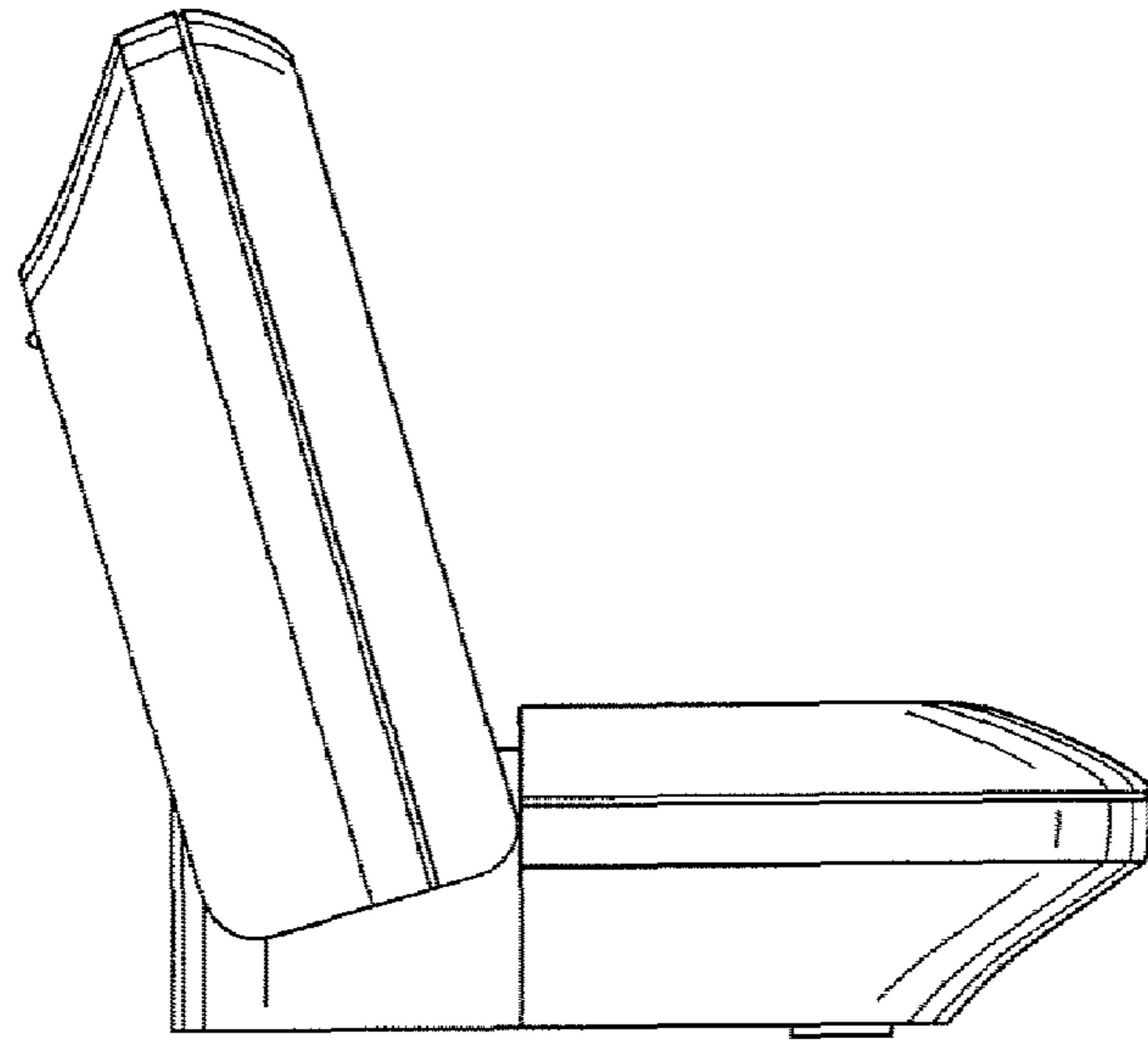


FIG. 6

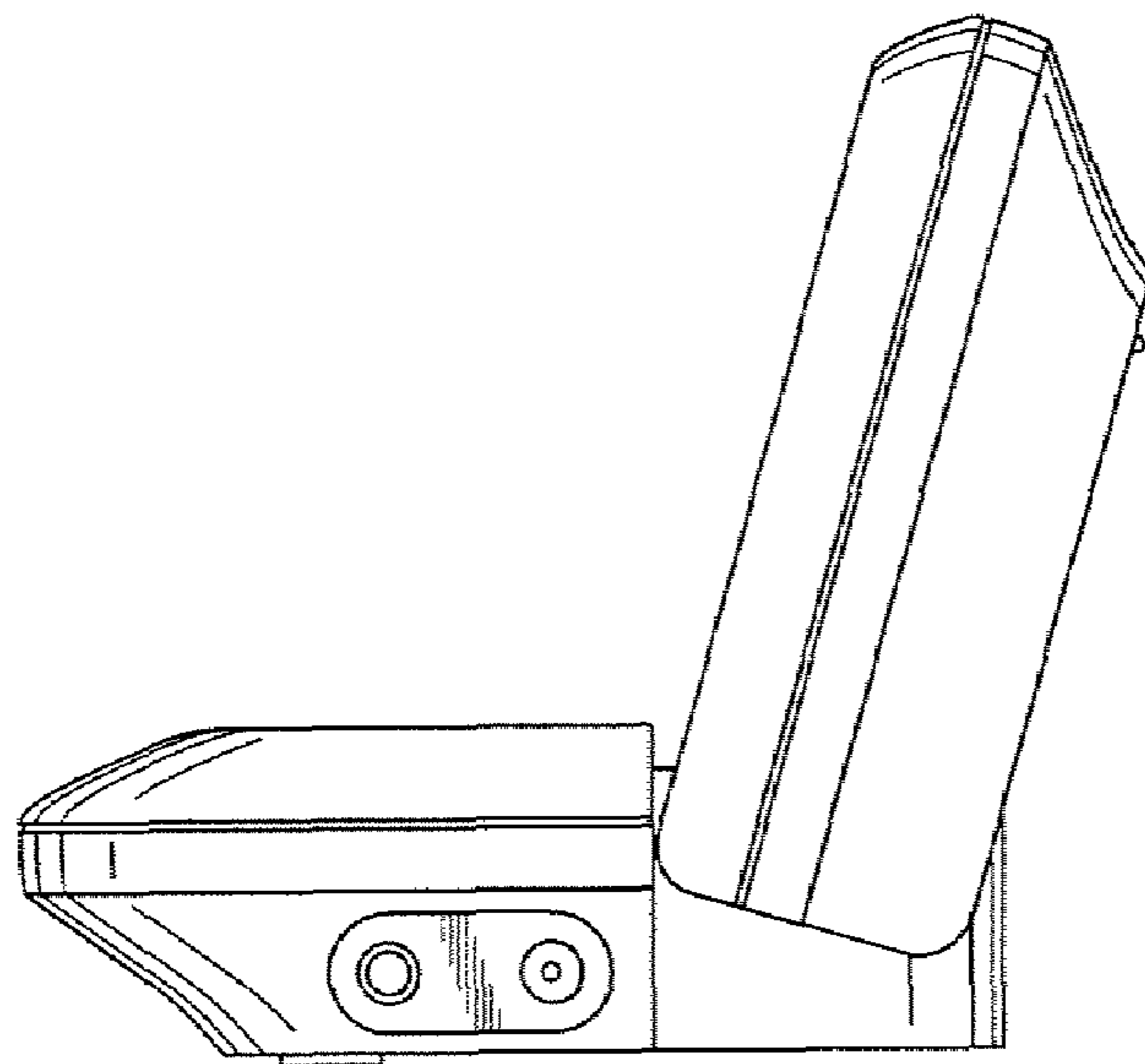


FIG. 7

FIG. 8

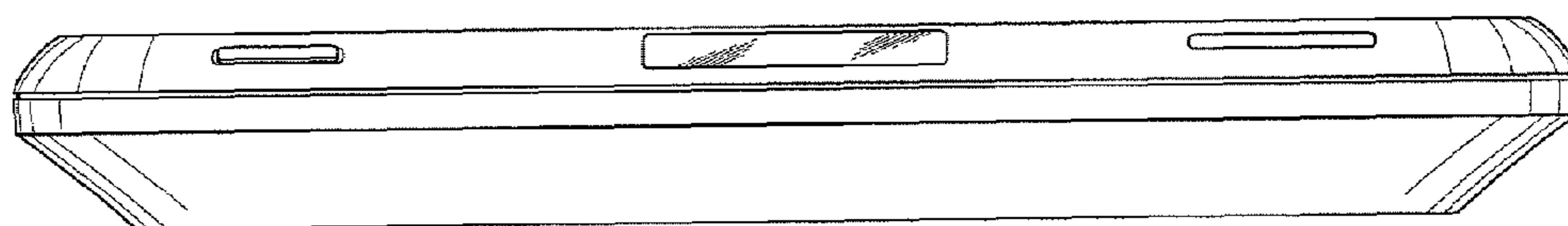
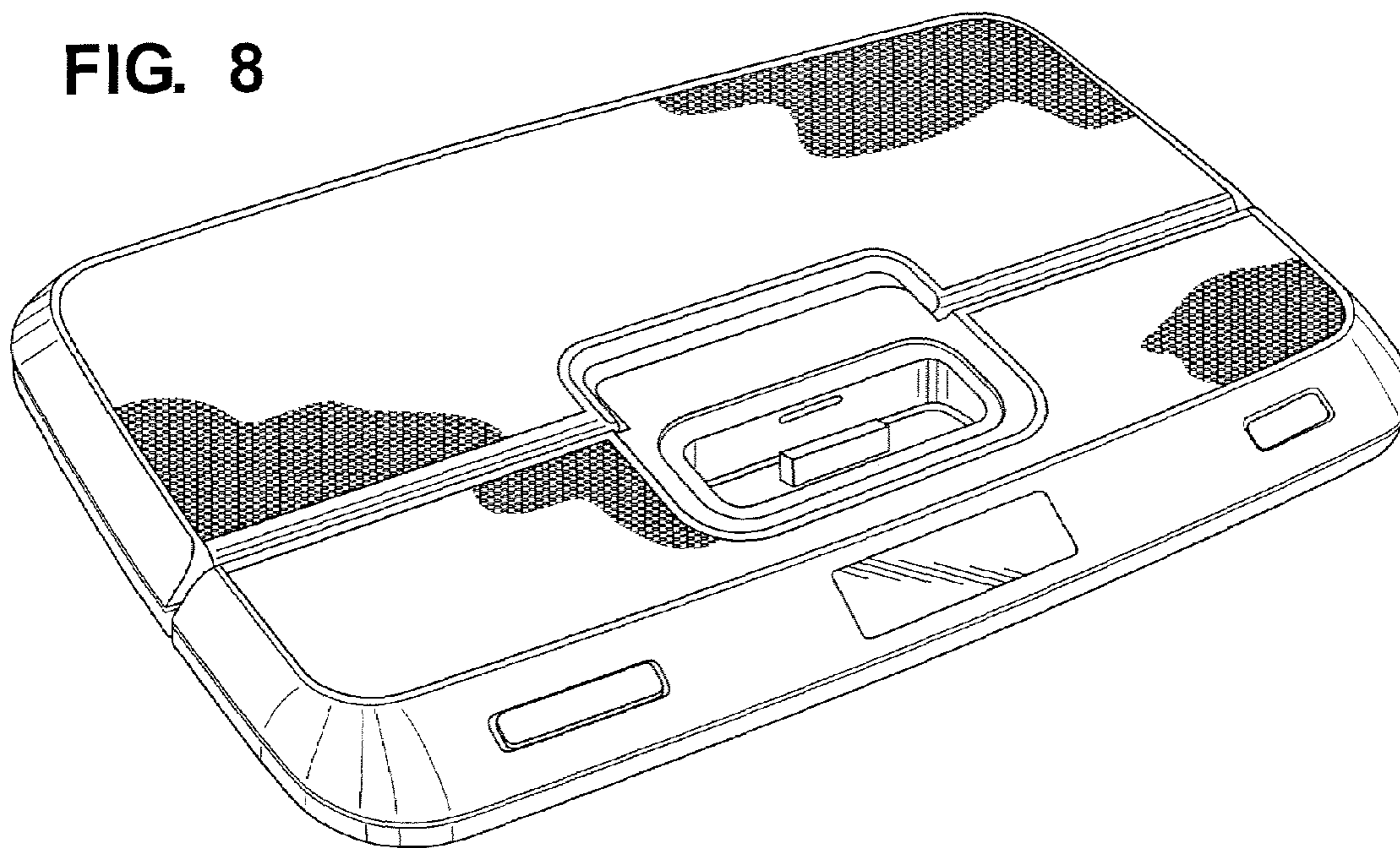


FIG. 9

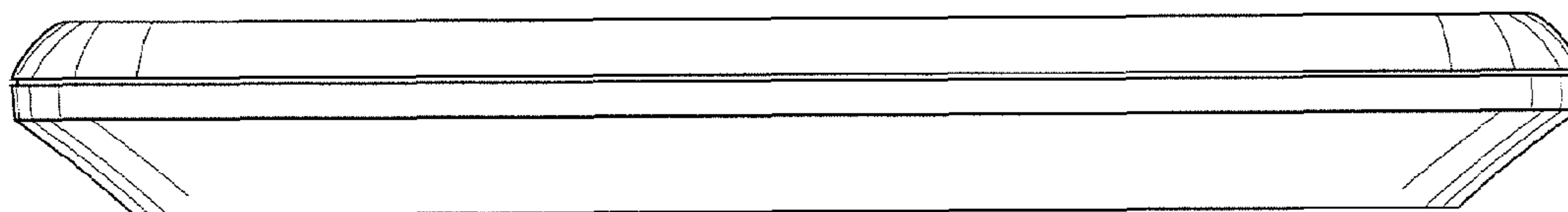


FIG. 10

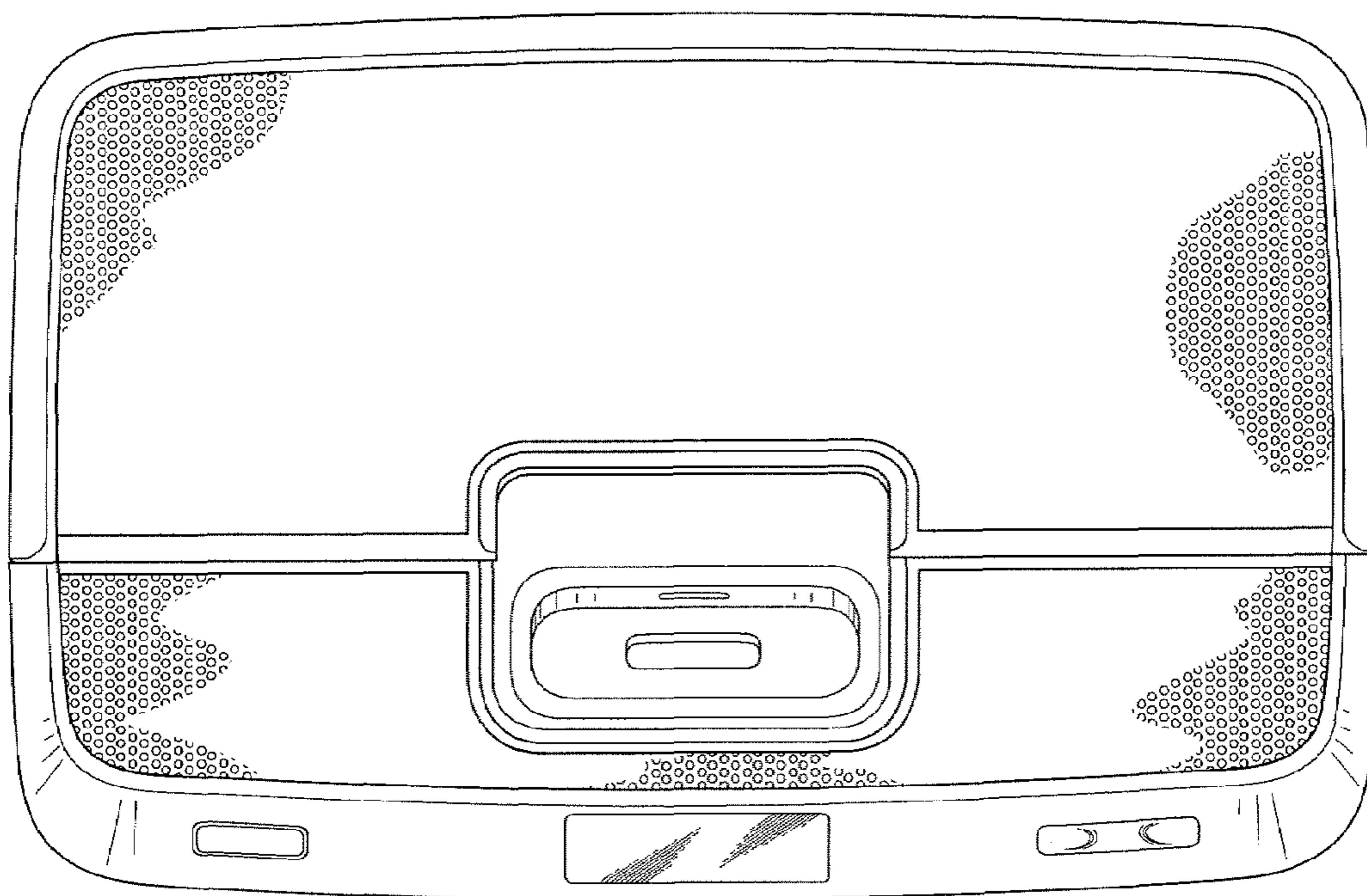


FIG. 11

FIG. 12

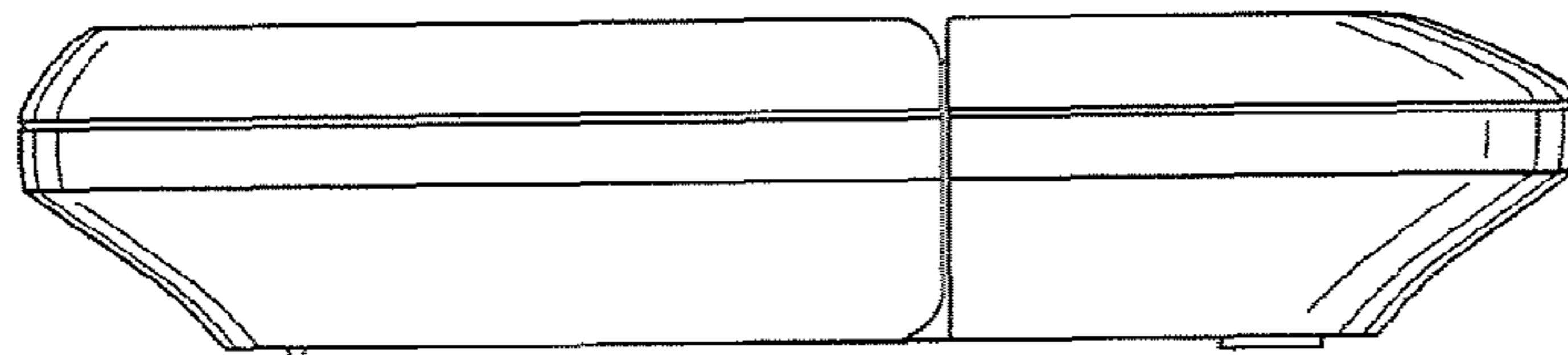
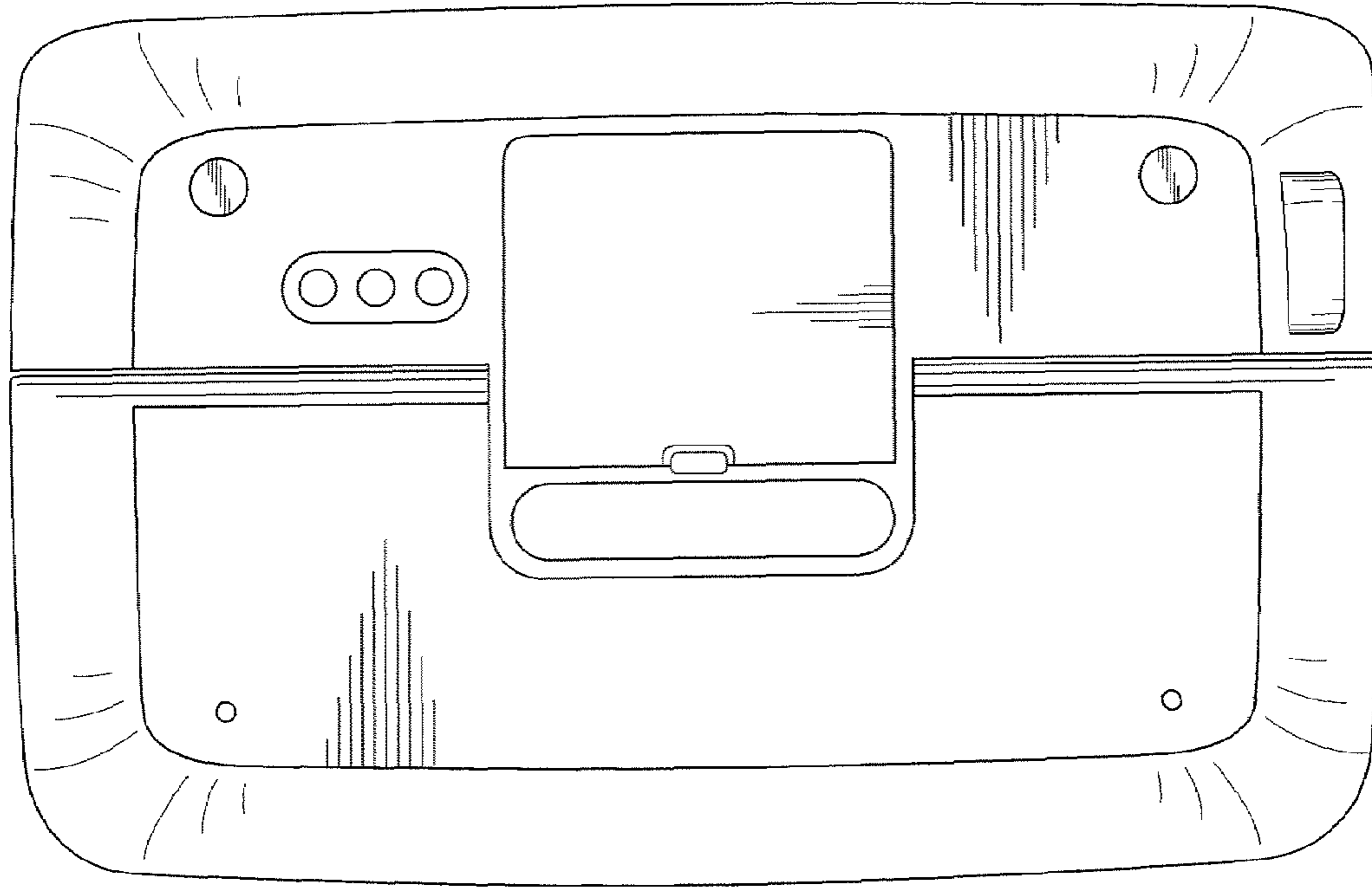


FIG. 13

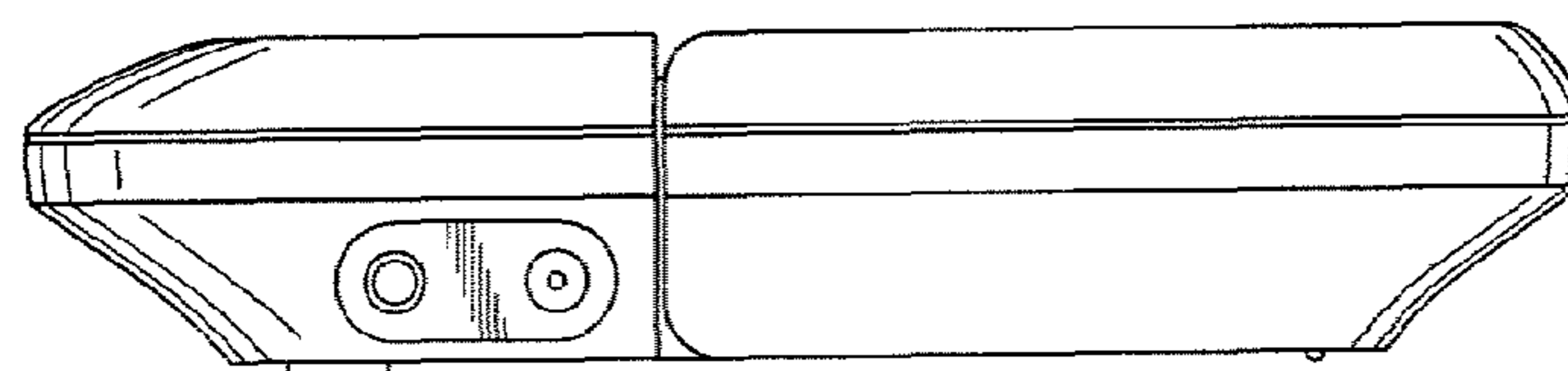


FIG. 14