



US00D596161S

(12) **United States Design Patent**
Andre et al.

(10) **Patent No.:** **US D596,161 S**
(45) **Date of Patent:** **** Jul. 14, 2009**

(54) **DOCK INSERT**

(75) Inventors: **Bartley K. Andre**, Menlo Park, CA (US); **Daniel J. Coster**, San Francisco, CA (US); **Daniele De Iuliis**, San Francisco, CA (US); **Evans Hankey**, San Francisco, CA (US); **Richard P. Howarth**, San Francisco, CA (US); **Jonathan P. Ive**, San Francisco, CA (US); **Duncan Robert Kerr**, San Francisco, CA (US); **Shin Nishibori**, Portola Valley, CA (US); **Matthew Dean Rohrbach**, San Francisco, CA (US); **Peter Russell-Clarke**, San Francisco, CA (US); **Douglas B. Satzger**, Menlo Park, CA (US); **Christopher J. Stringer**, Woodside, CA (US); **Eugene Antony Whang**, San Francisco, CA (US); **Rico Zorkendorfer**, San Francisco, CA (US)

(73) Assignee: **Apple Inc.**, Cupertino, CA (US)

(**) Term: **14 Years**

(21) Appl. No.: **29/319,155**

(22) Filed: **Jun. 4, 2008**

(51) **LOC (9) Cl.** **14-01**

(52) **U.S. Cl.** **D14/217**

(58) **Field of Classification Search** D14/142, D14/149, 155, 157, 188, 191–193, 230.1–203.8, D14/217, 251, 253, 432–435.1, 447, 451, D14/496, 474, 480.1–480.7; D13/107, 108, D13/118; D3/218; 248/221.11, 309.1; 320/107, 320/110, 113–115; 361/600, 679, 683, 686; 439/529, 534; 455/556.1–556.2, 557
See application file for complete search history.

(56) **References Cited**

U.S. PATENT DOCUMENTS

5,233,281 A * 8/1993 Chiang et al. 320/110

5,280,229 A * 1/1994 Faude et al. 320/110
5,742,149 A * 4/1998 Simpson 320/113
5,926,005 A * 7/1999 Holcomb et al. 320/113
7,075,579 B2 * 7/2006 Whitby et al. 348/375
7,145,603 B2 * 12/2006 Whitby et al. 348/375
D551,212 S * 9/2007 Andre et al. D14/217
D551,213 S * 9/2007 Andre et al. D14/217
D552,085 S * 10/2007 Andre et al. D14/217
D558,738 S * 1/2008 Andre et al. D14/217
D568,297 S * 5/2008 Andre et al. D14/217
D570,335 S * 6/2008 Andre et al. D14/217
D578,110 S * 10/2008 Andre et al. D14/217
2007/0047198 A1 * 3/2007 Crooijmans et al. 361/686

* cited by examiner

Primary Examiner—Stella M Reid

Assistant Examiner—Keli L Hill

(74) *Attorney, Agent, or Firm*—Sterne Kessler Goldstein & Fox PLLC

(57) **CLAIM**

The ornamental design for a dock insert, as shown and described.

DESCRIPTION

FIG. 1 is a top perspective view of a dock insert showing our new design;

FIG. 2 is a bottom perspective view thereof;

FIG. 3 is a rear view thereof;

FIG. 4 is a front view thereof;

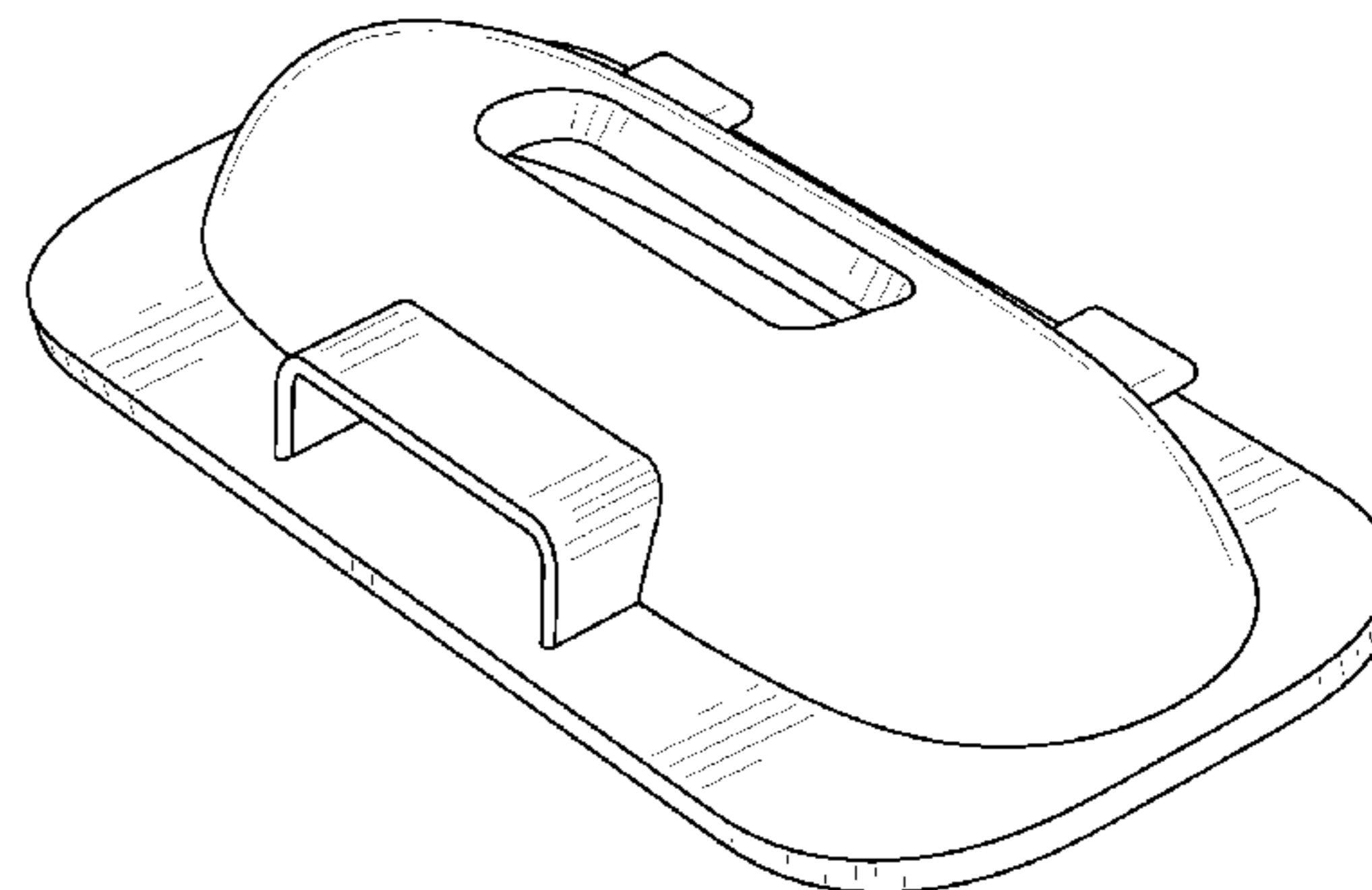
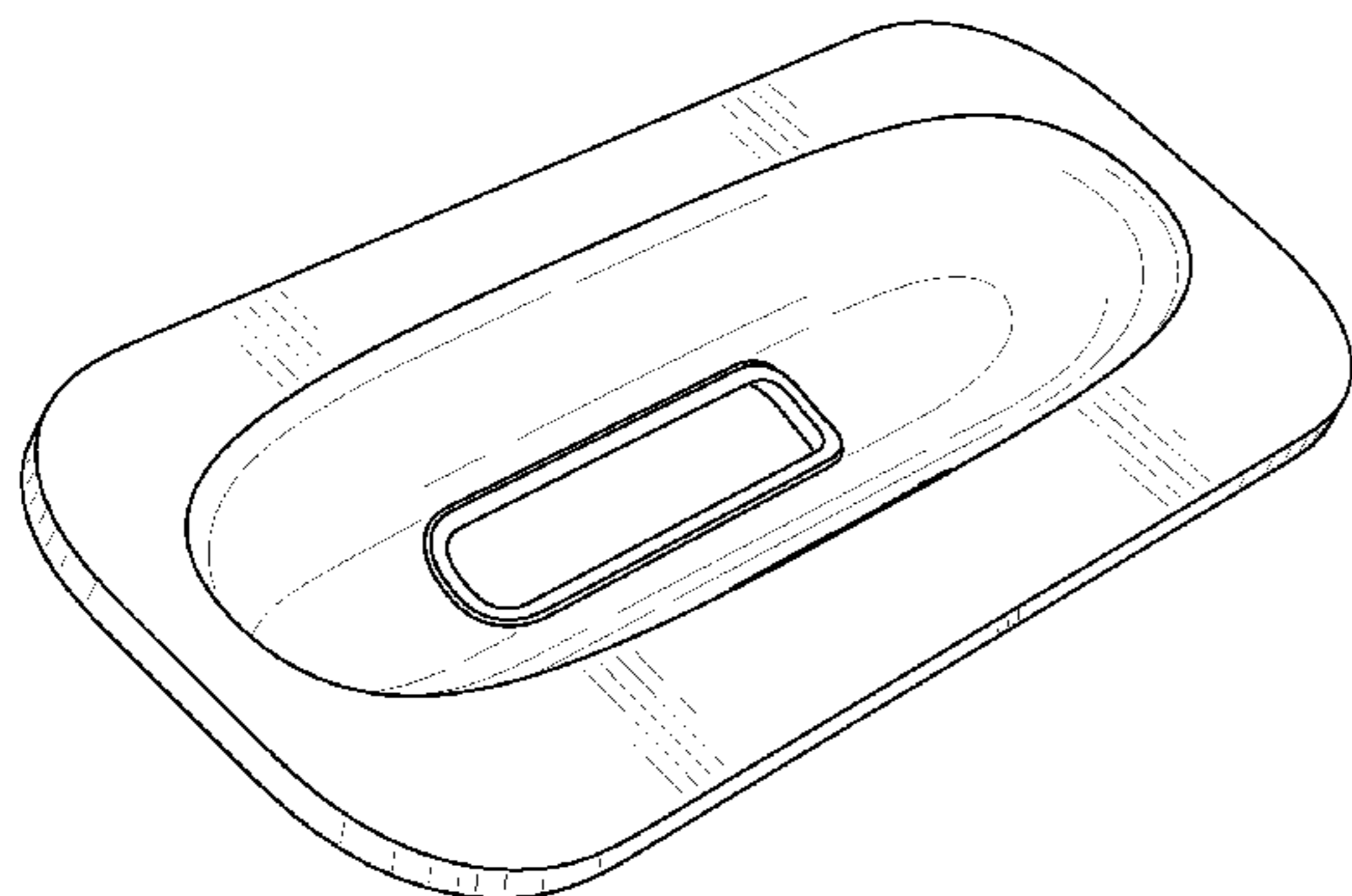
FIG. 5 is a side view thereof;

FIG. 6 is another side view thereof;

FIG. 7 is a top plan view thereof; and,

FIG. 8 is a bottom plan view thereof.

1 Claim, 3 Drawing Sheets



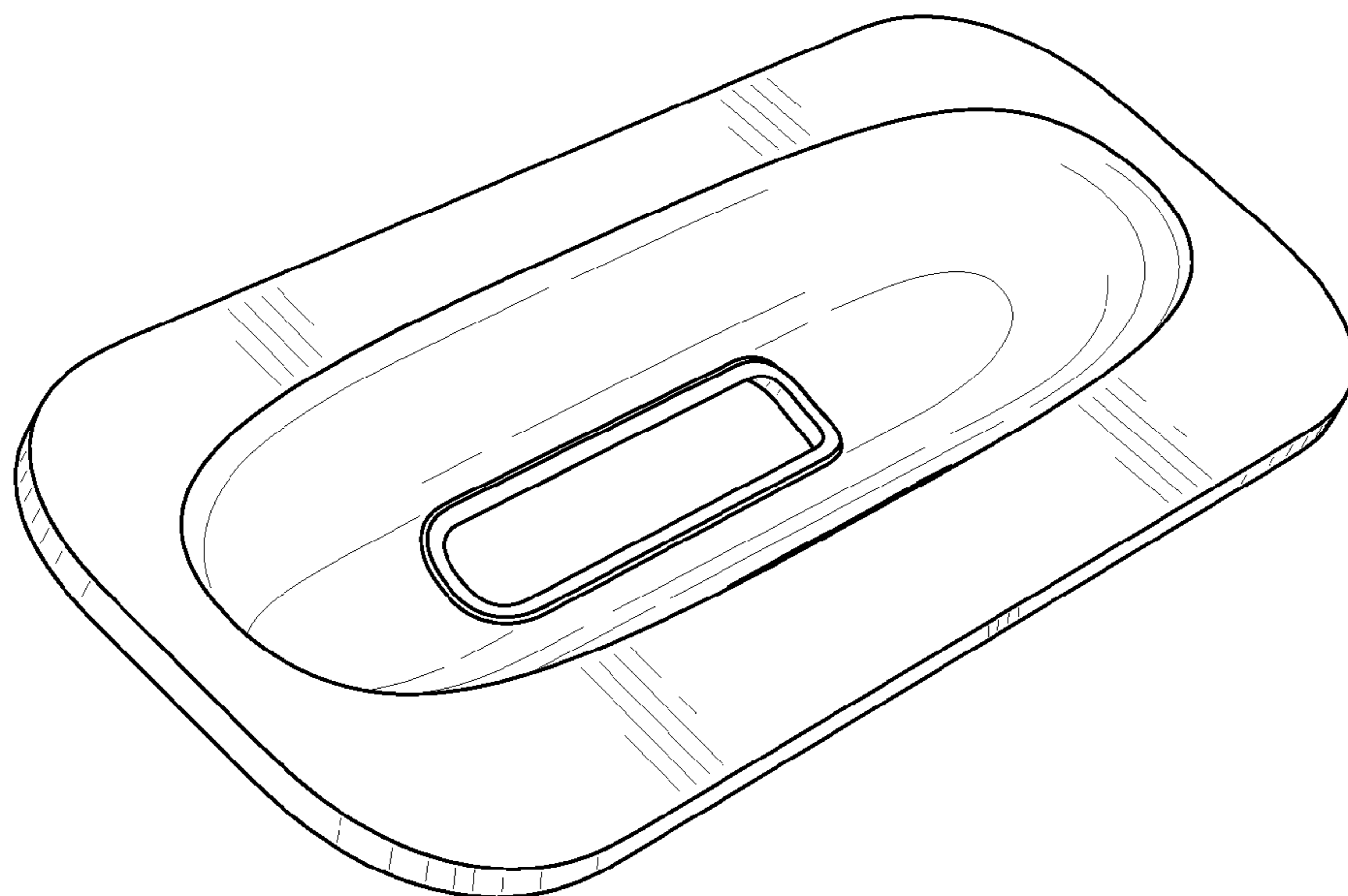


FIG. 1

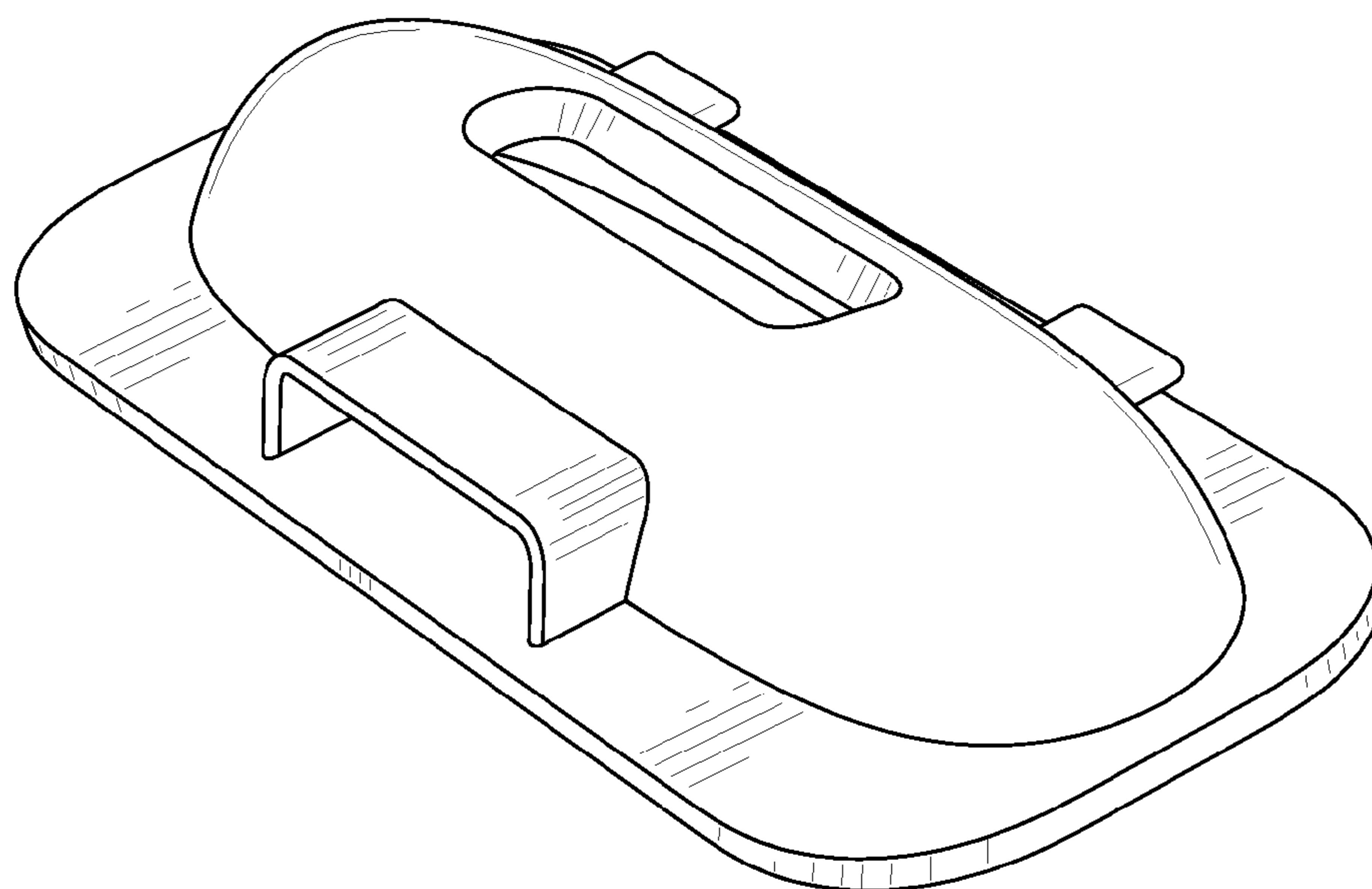


FIG. 2

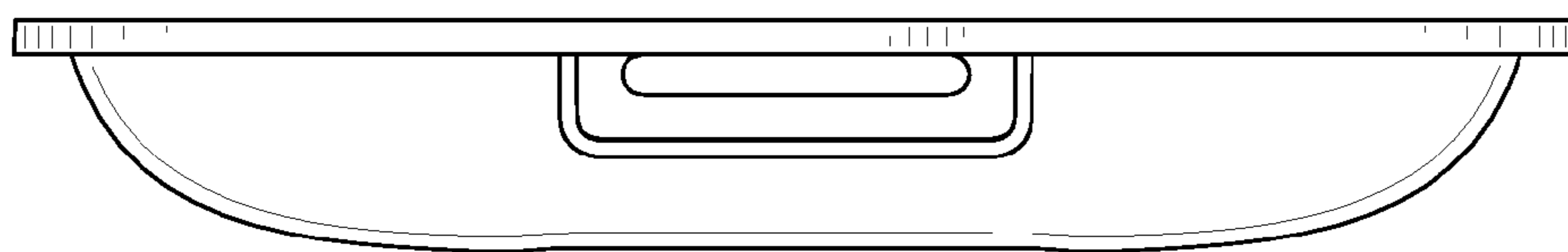


FIG. 3

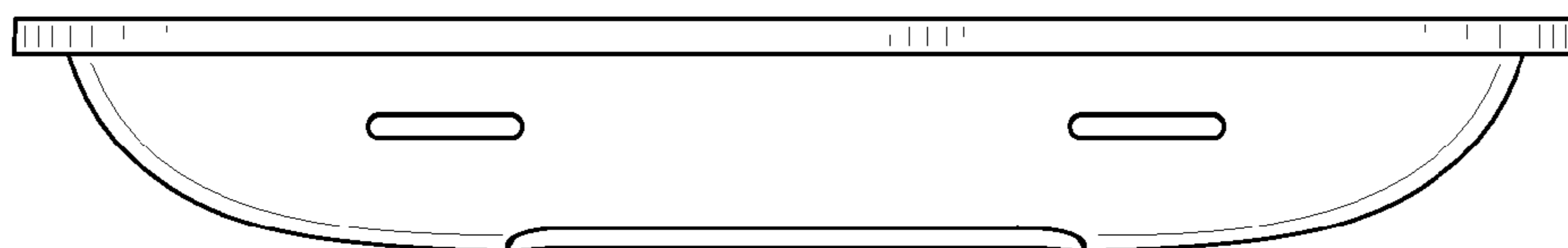


FIG. 4

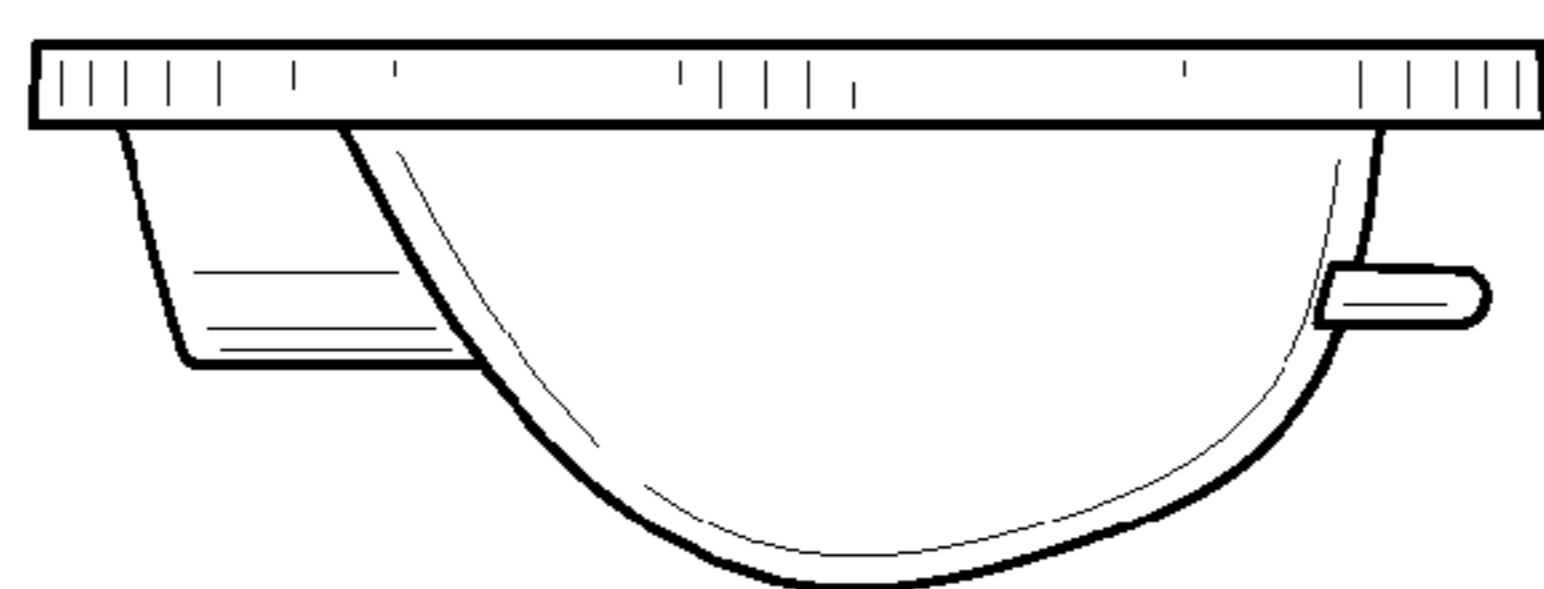


FIG. 5

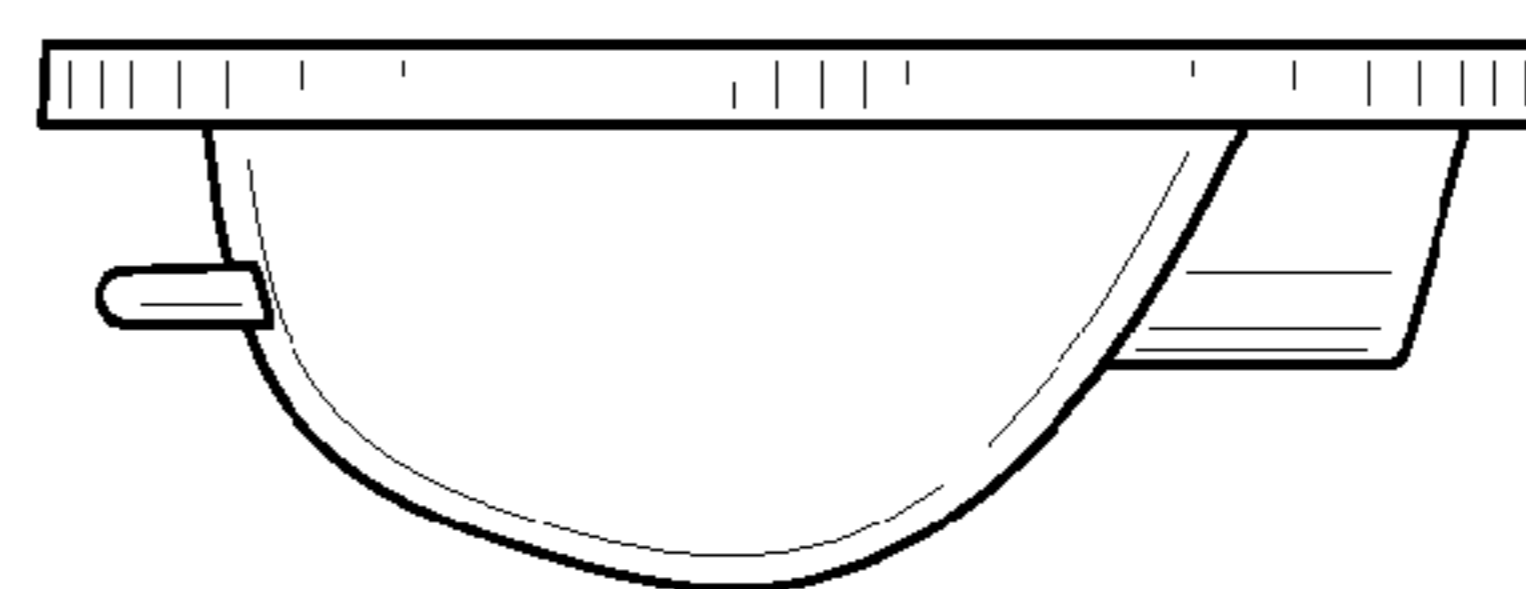


FIG. 6

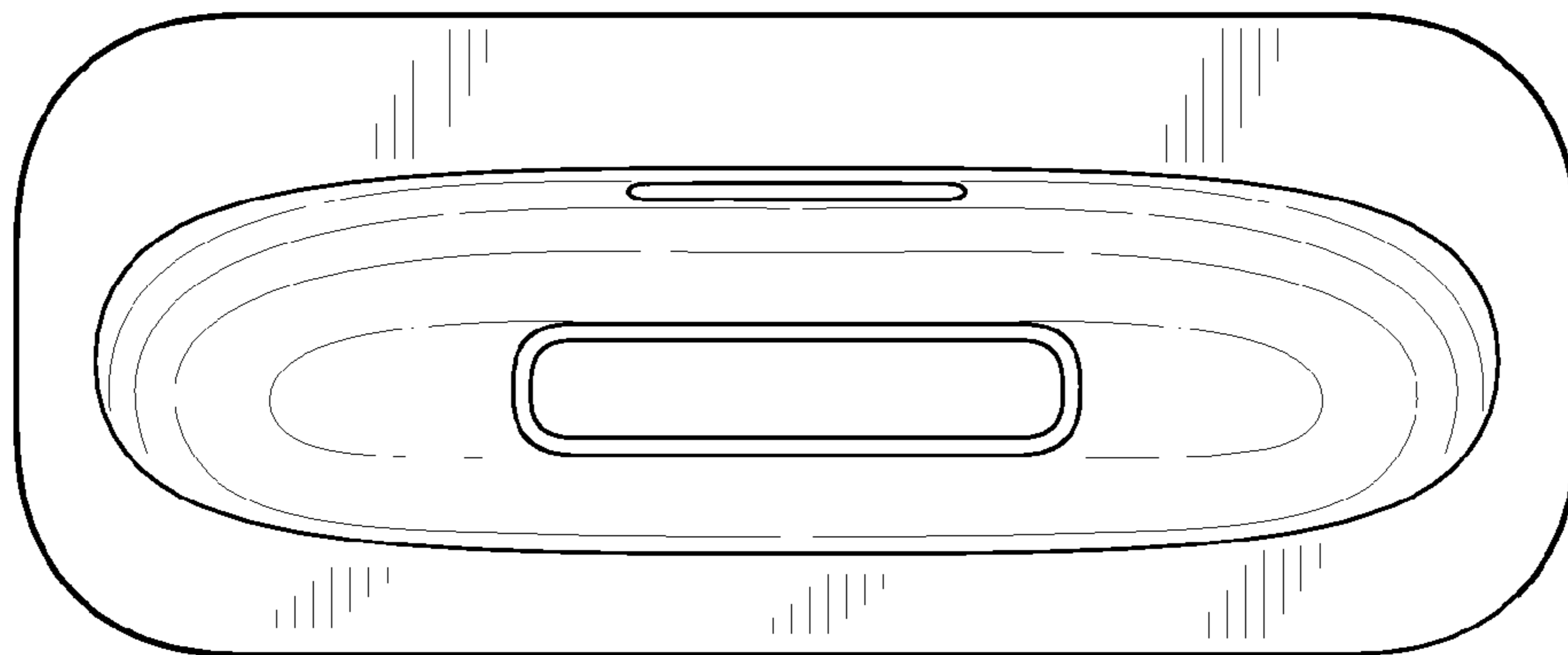


FIG. 7

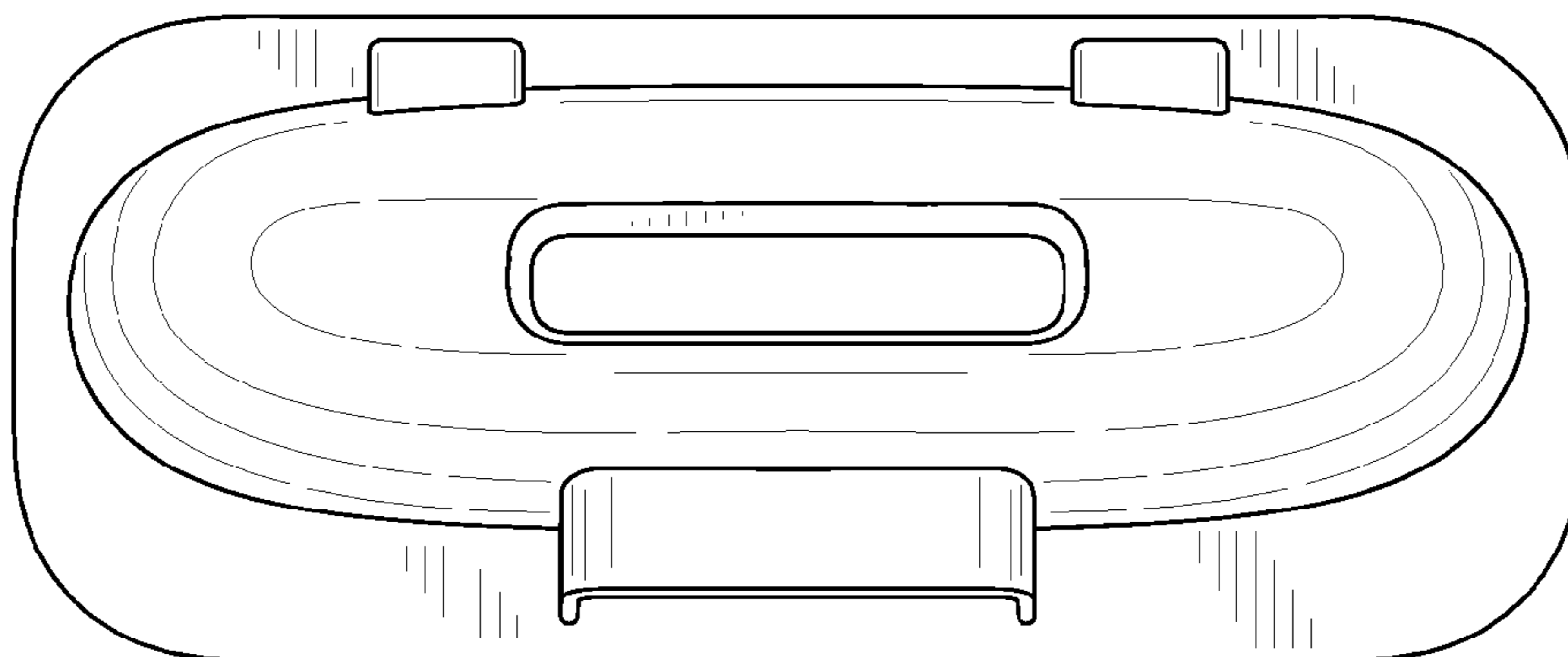


FIG. 8