

US00D596160S

(12) **United States Design Patent**
Andre et al.

(10) **Patent No.:** **US D596,160 S**
(45) **Date of Patent:** **** Jul. 14, 2009**

(54) **STAND**

(75) Inventors: **Bartley K. Andre**, Menlo Park, CA (US); **Daniel J. Coster**, San Francisco, CA (US); **Daniele De Iuliis**, San Francisco, CA (US); **Richard P. Howarth**, San Francisco, CA (US); **Jonathan P. Ive**, San Francisco, CA (US); **Duncan Robert Kerr**, San Francisco, CA (US); **Shin Nishibori**, San Francisco, CA (US); **Matthew Dean Rohrbach**, San Francisco, CA (US); **Douglas B. Satzger**, Menlo Park, CA (US); **Calvin Q. Seid**, Palo Alto, CA (US); **Christopher J. Stringer**, Portola Valley, CA (US); **Eugene Antony Whang**, San Francisco, CA (US); **Rico Zorkendorfer**, San Francisco, CA (US)

(73) Assignee: **Apple Inc.**, Cupertino, CA (US)

(**) Term: **14 Years**

(21) Appl. No.: **29/317,435**

(22) Filed: **Apr. 29, 2008**

Related U.S. Application Data

(63) Continuation of application No. 29/265,590, filed on Sep. 1, 2006, now Pat. No. Des. 567,800.

(51) **LOC (9) Cl.** **14-02**

(52) **U.S. Cl.** **D14/217**

(58) **Field of Classification Search** D14/142, D14/149, 155, 157, 188, 191-193, 230.1-203.8, D14/217, 251, 253, 432-435.1, 447, 451, D14/496, 474, 480.1-480.7; D13/107, 108, D13/118; D3/218; 248/221.11, 309.1; 320/107, 320/110, 113-115; 361/600, 679, 683, 686; 439/529, 534; 455/556.1-556.2, 557

See application file for complete search history.

(56) **References Cited**

U.S. PATENT DOCUMENTS

D471,906 S 3/2003 Salazar et al.
D510,091 S 9/2005 Mori et al.

(Continued)

Primary Examiner—Stella M Reid
Assistant Examiner—Keli L Hill
(74) *Attorney, Agent, or Firm*—Sterne Kessler Goldstein & Fox PLLC

(57) **CLAIM**

The ornamental design for a stand, as shown and described.

DESCRIPTION

FIG. 1 is a front perspective view of a stand showing our new design;

FIG. 2 is a top view thereof;

FIG. 3 is a bottom view thereof;

FIG. 4 is a front view thereof;

FIG. 5 is a rear view thereof;

FIG. 6 is a right view thereof;

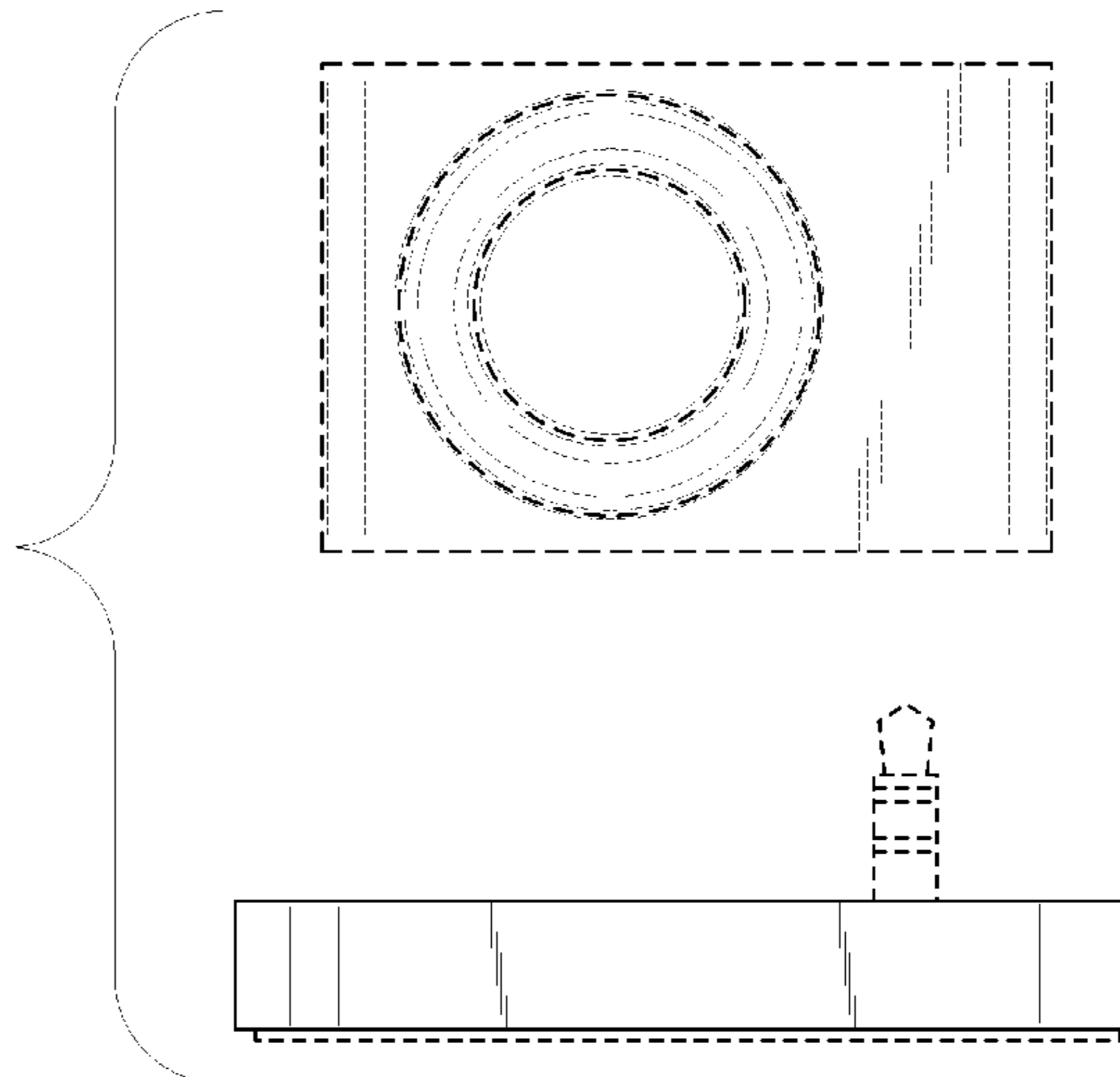
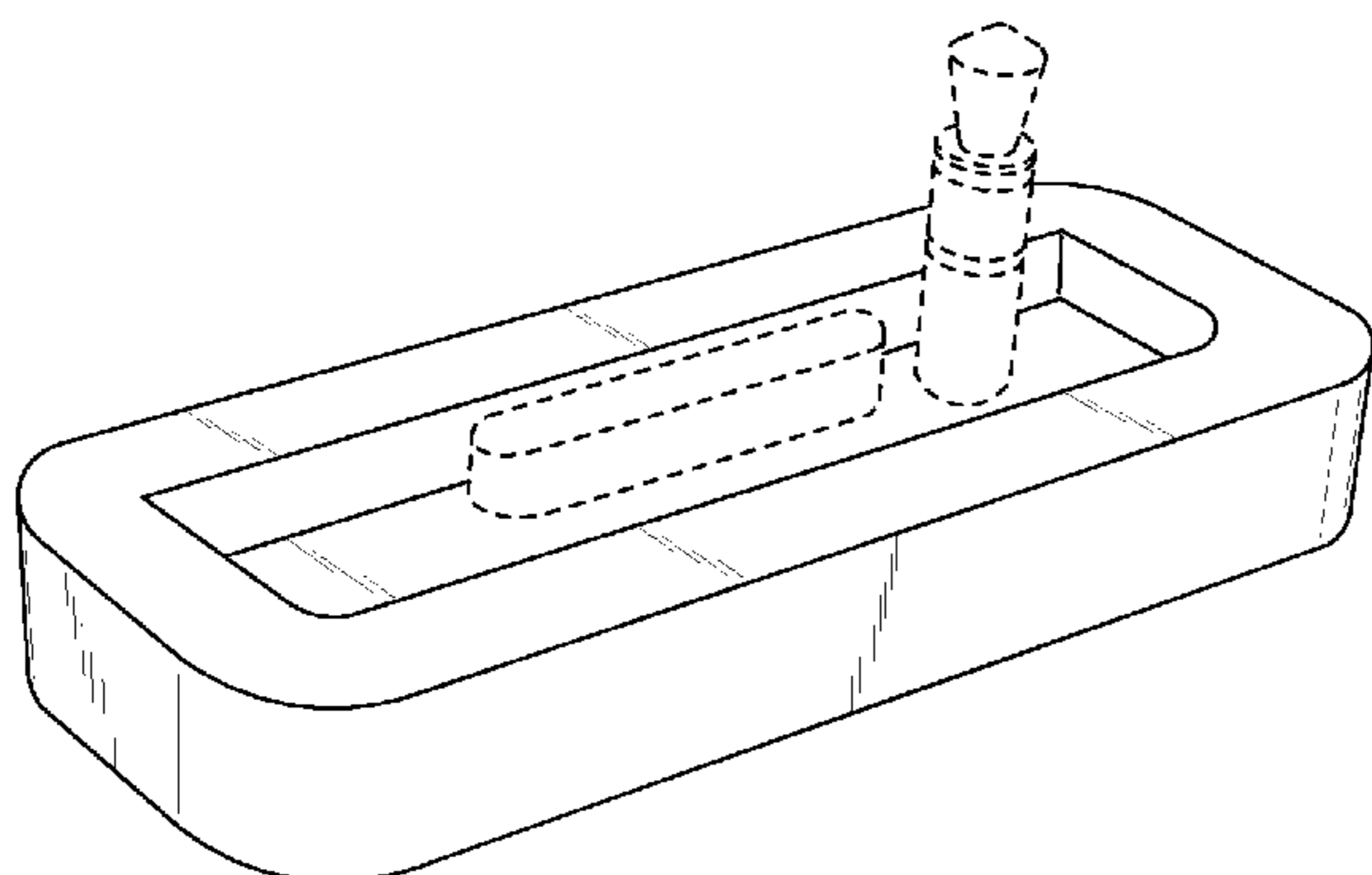
FIG. 7 is a left view thereof;

FIG. 8 is an exploded front view of the stand of FIG. 1, shown used in an environment with an electronic device; and,

FIG. 9 is a top view of the stand of FIG. 1 with the electronic device of FIG. 8 positioned therein.

The broken lines in the Figures are for illustrative purposes only and form no part of the claimed design.

1 Claim, 3 Drawing Sheets



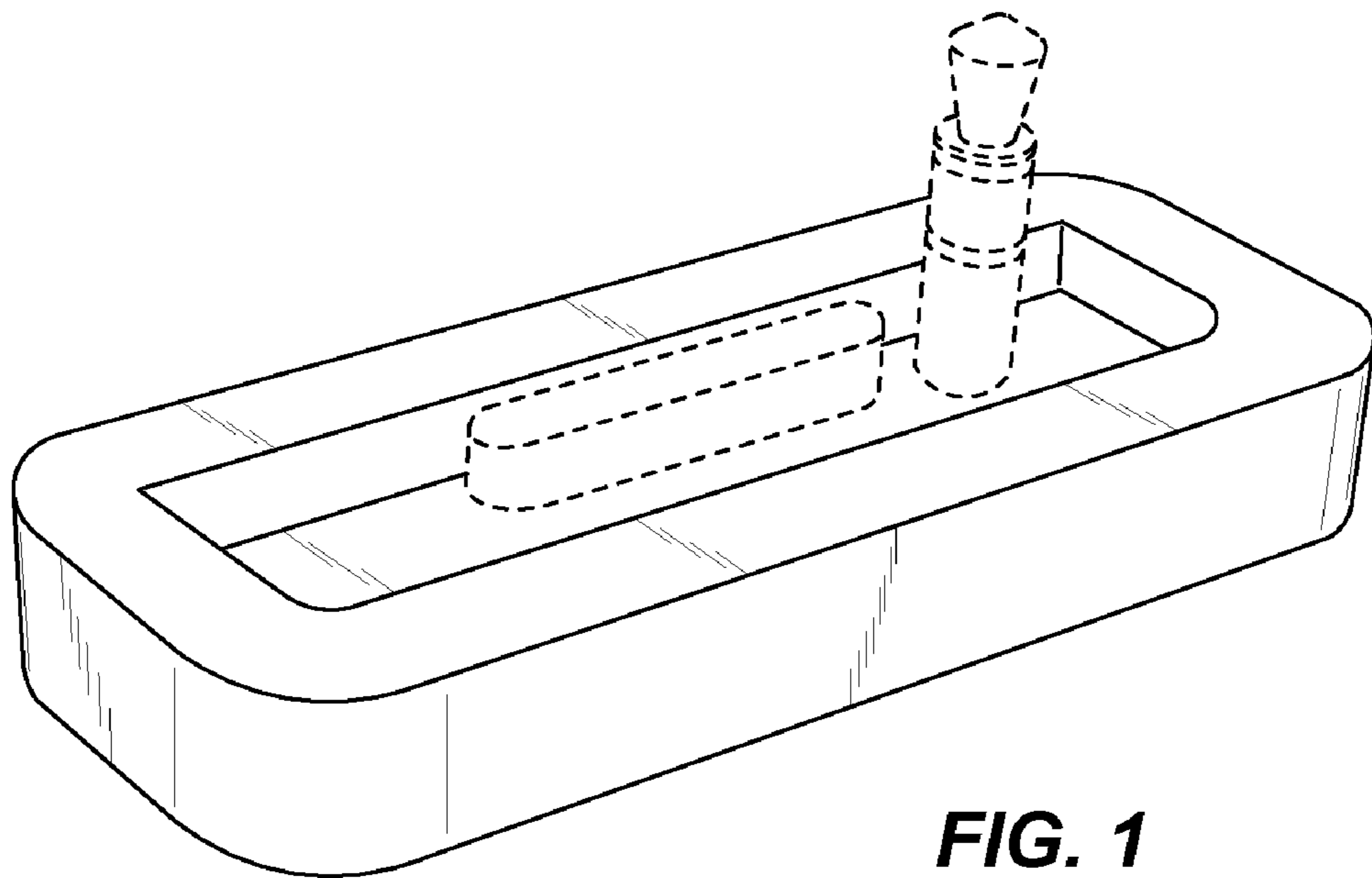
US D596,160 S

Page 2

U.S. PATENT DOCUMENTS

D520,943 S	5/2006	Imai	
D522,506 S *	6/2006	Chen	D14/480.1
D525,616 S	7/2006	Andre et al.	
D537,807 S	3/2007	Griffin et al.	
D540,328 S	4/2007	Hussaini et al.	
D543,985 S	6/2007	Hussaini et al.	
D546,760 S	7/2007	Aguilar	
D550,196 S *	9/2007	Griffin et al.	D14/155
D552,185 S	10/2007	Hussaini et al.	
D560,166 S *	1/2008	Andre et al.	D14/217
D569,848 S *	5/2008	Suzuki	D14/217
D570,830 S *	6/2008	Sukeguchi et al.	D14/217
D574,365 S *	8/2008	Andre et al.	D14/217
D577,008 S *	9/2008	Andre et al.	D14/217

* cited by examiner



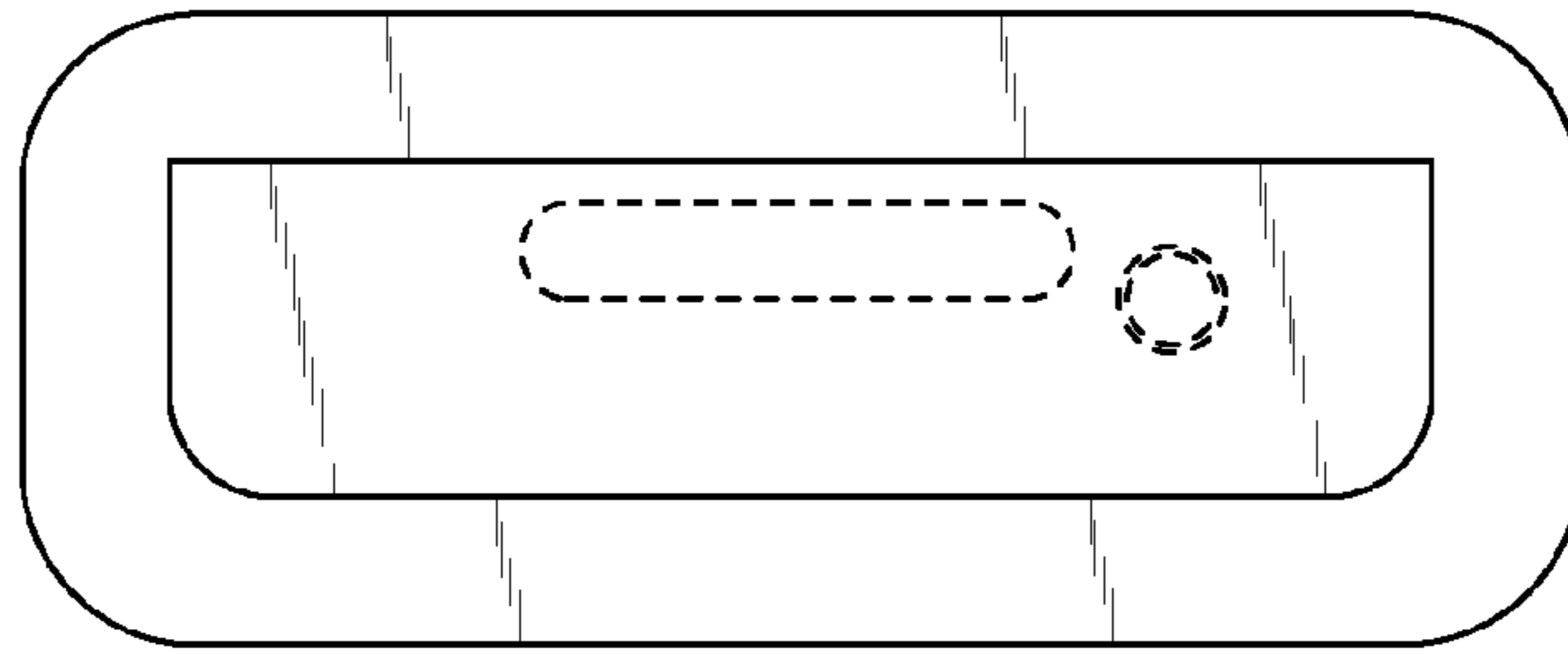


FIG. 2

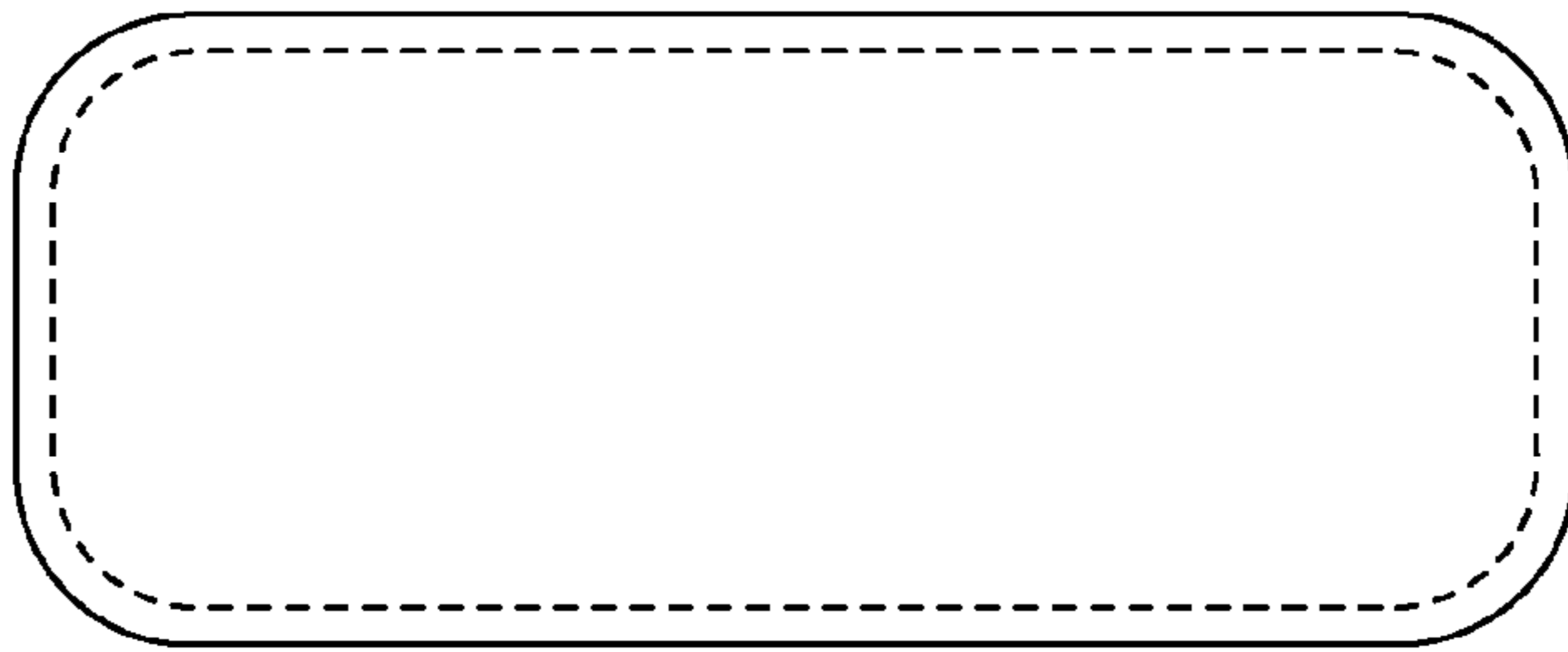


FIG. 3

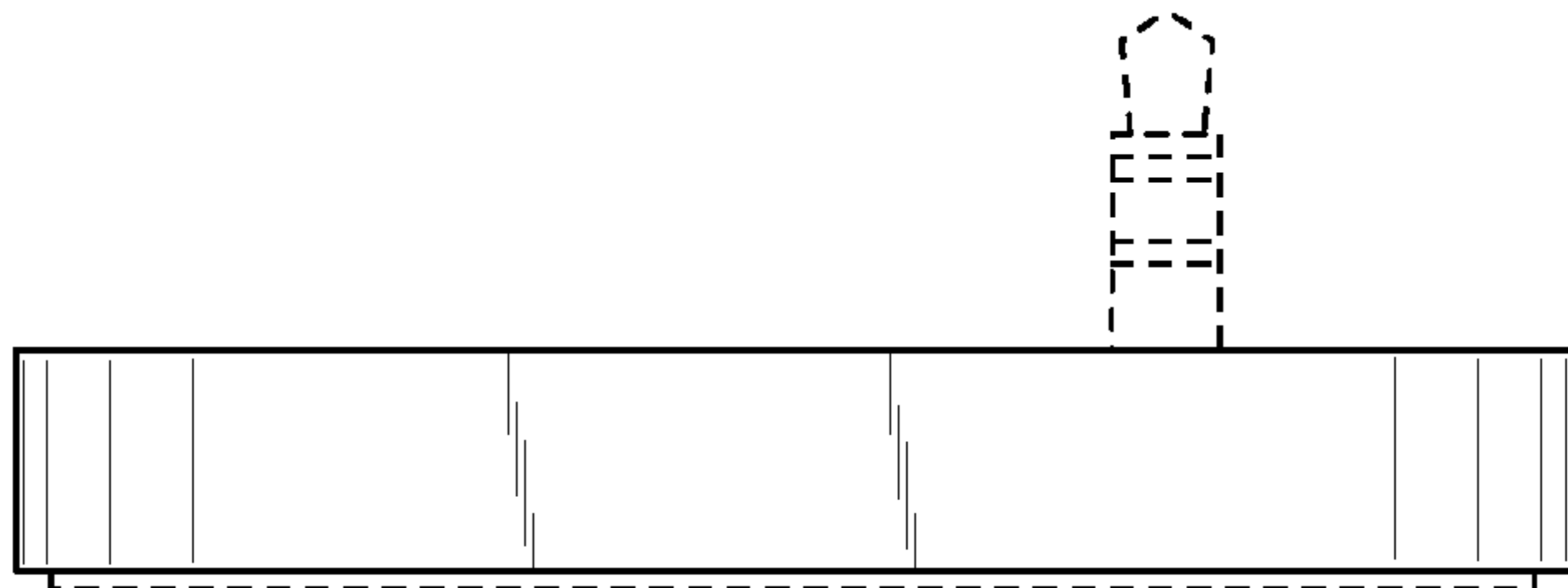


FIG. 4

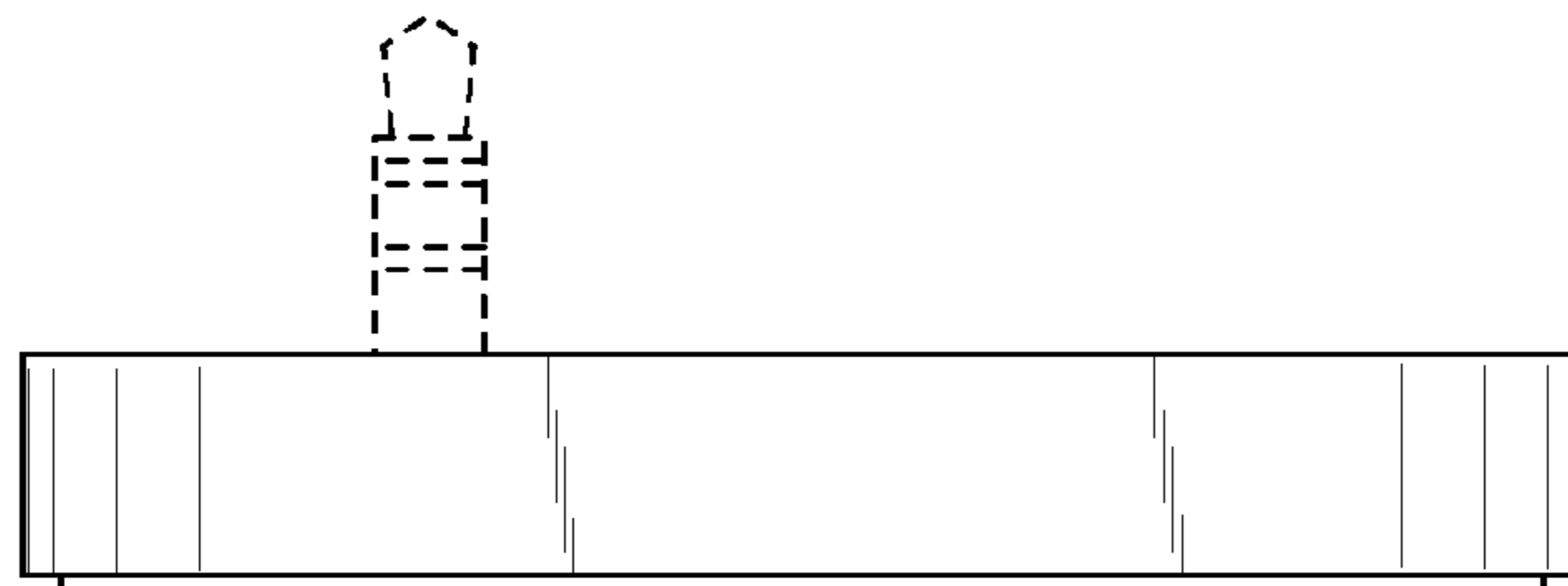


FIG. 5

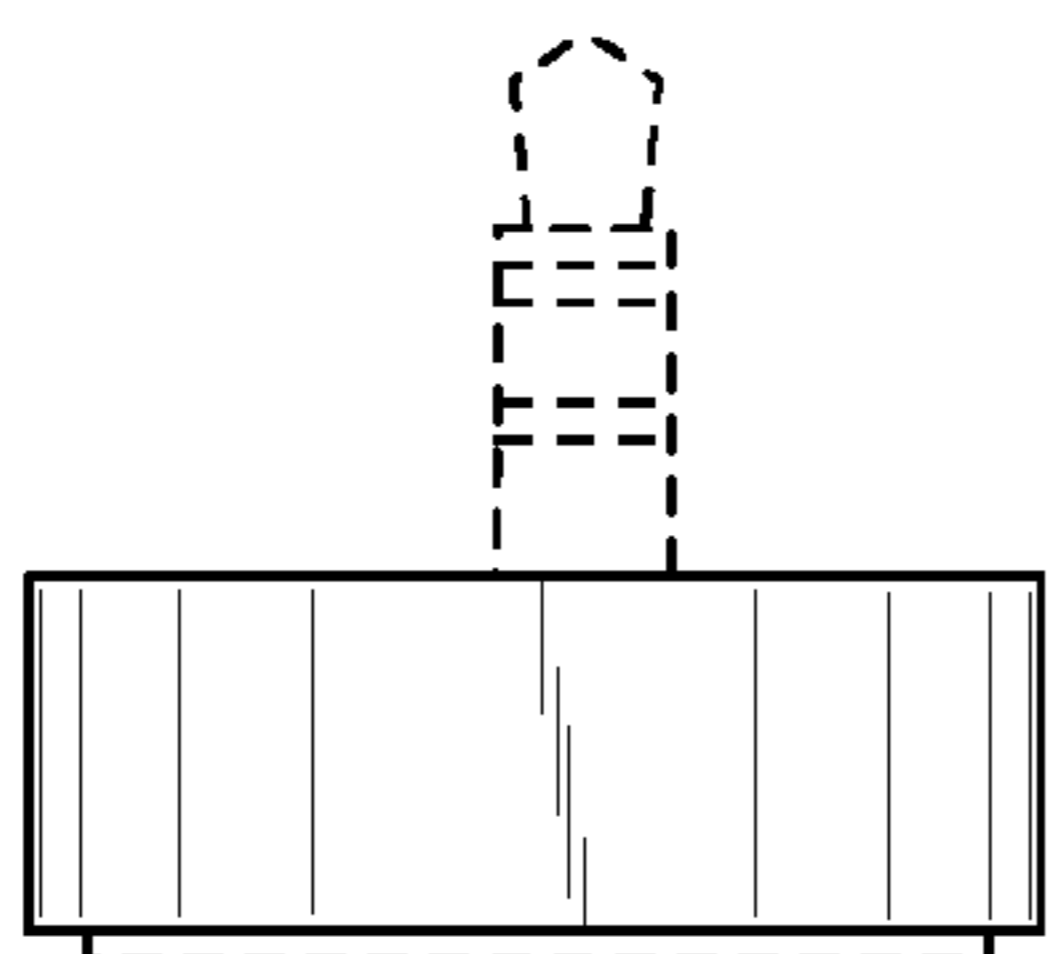


FIG. 6

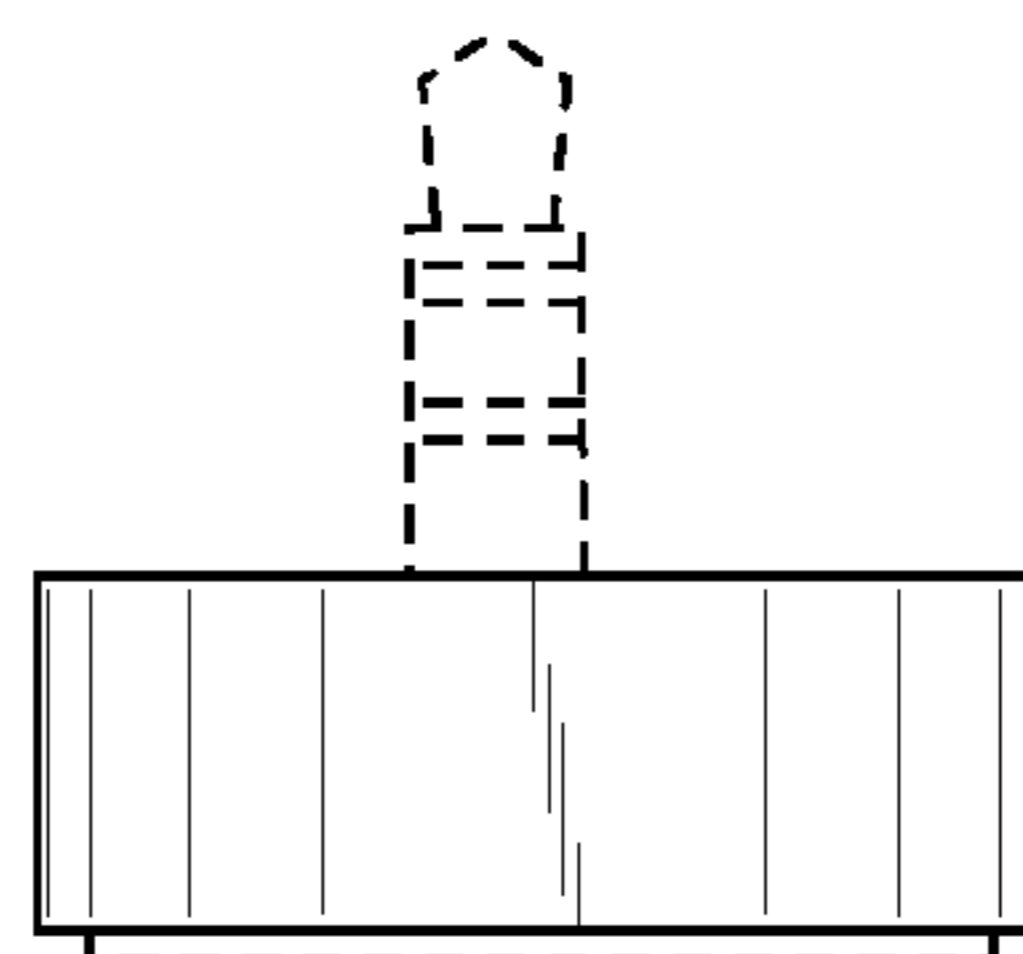


FIG. 7

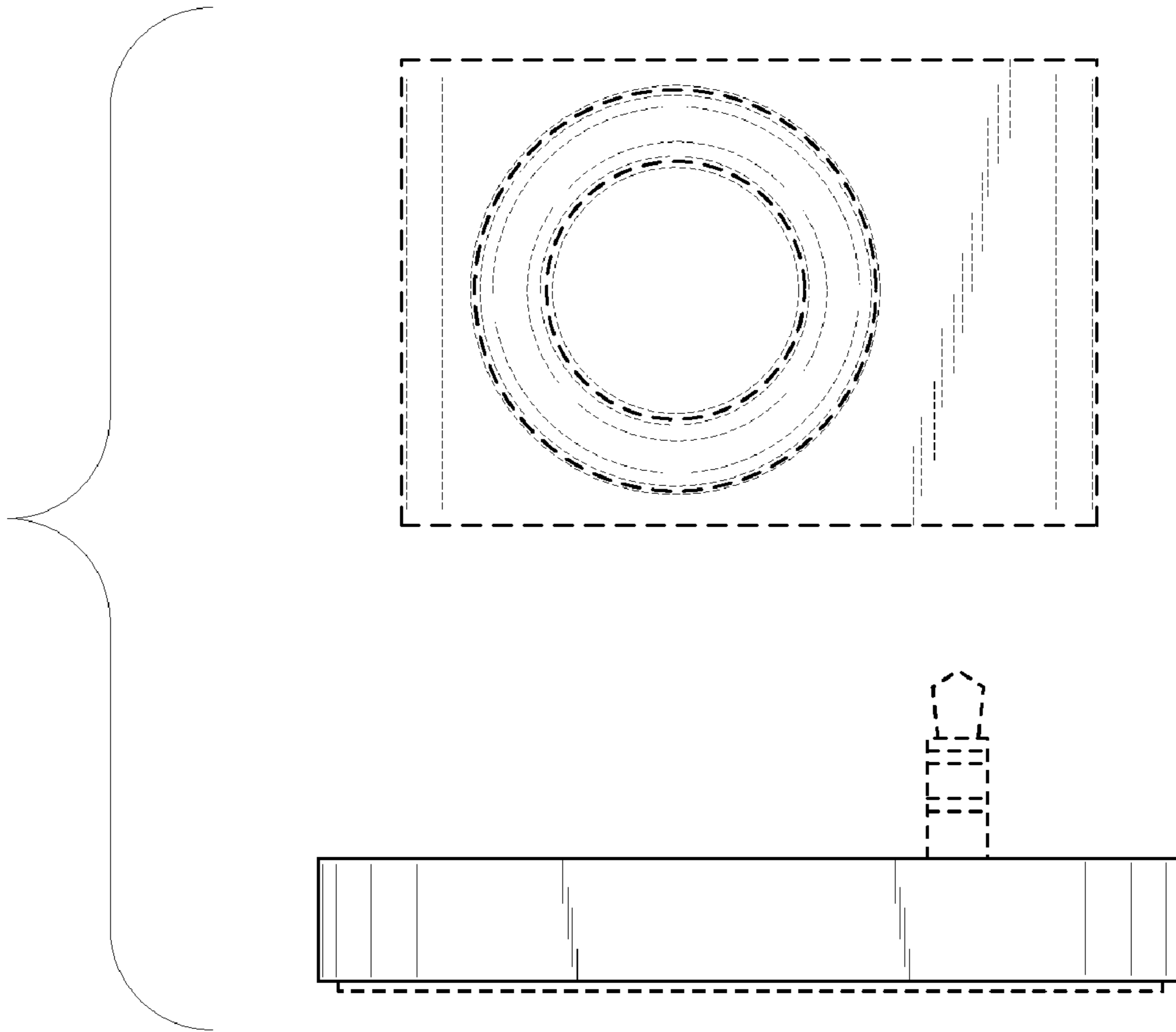


FIG. 8

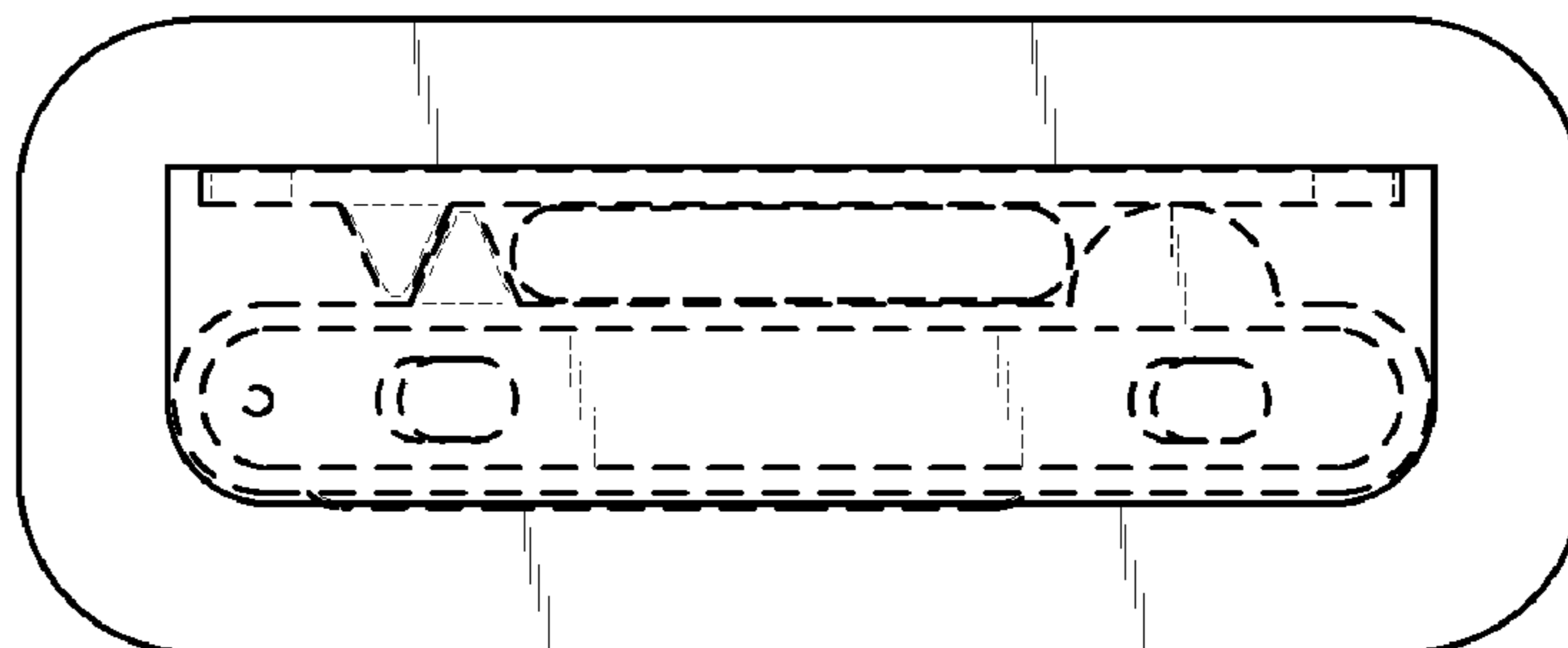


FIG. 9