

US00D596158S

(12) **United States Design Patent**
Ragde, Jr. et al.

(10) **Patent No.:** **US D596,158 S**
(45) **Date of Patent:** **** *Jul. 14, 2009**

(54) **PORTABLE SPEAKER SYSTEM**

D508,689 S 8/2005 Schul et al.

(75) Inventors: **Jorge V. Ragde, Jr.**, Canyon Country, CA (US); **Timothy J. Jacobus**, Agoura Hills, CA (US)

(Continued)

FOREIGN PATENT DOCUMENTS

(73) Assignee: **Portable Sound Laboratories, Inc.**, Chatsworth, CA (US)

DE 2006005333 U1 7/2006
JP 0501995-5M001 8/2005

OTHER PUBLICATIONS

(*) Notice: This patent is subject to a terminal disclaimer.

Office Action (mailed Nov. 14, 2007), U.S. Appl. No. 29/282,184, filed Jul. 12, 2007, First Named Inventor, Jorge V. Ragde, Jr., 10 pages.

(**) Term: **14 Years**

Office Action (mailed Nov. 14, 2007), U.S. Appl. No. 29/282,187, filed Jul. 12, 2007, First Named Inventor, Jorge V. Ragde, Jr., 10 pages.

(21) Appl. No.: **29/282,181**

(22) Filed: **Jul. 12, 2007**

Primary Examiner—Nanda Bondade

(74) *Attorney, Agent, or Firm*—Blakely, Sokoloff, Taylor & Zafman, LLP

(51) **LOC (9) Cl.** **14-01**

(52) **U.S. Cl.** **D14/214; D14/217**

(58) **Field of Classification Search** D14/204,

D14/211–216, 172, 188, 474, 496, 217; D3/218, D3/301; D6/632–635; 181/143–148, 150, 181/157, 198, 199, 151, 153; 381/300–302, 381/306, 333, 345, 361–364, 385–388, 332, 381/336; 361/689, 679; 224/576, 929
See application file for complete search history.

(57) **CLAIM**

I claim the ornamental design for a portable speaker system, as shown and described.

(56) **References Cited**

U.S. PATENT DOCUMENTS

D302,903 S	8/1989	Johnston	
D376,150 S	12/1996	Pesce	
D407,432 S	3/1999	Tell	
6,345,751 B1	2/2002	Elliot	
D469,421 S	1/2003	Stickles et al.	
6,522,613 B1	2/2003	Frankeny et al.	
D483,349 S	12/2003	Murakami	
6,712,249 B2	3/2004	Magnusson et al.	
D488,483 S *	4/2004	Hu	D14/496
D489,529 S	5/2004	Vish et al.	
D491,167 S	6/2004	Yokoyama	
D495,185 S	8/2004	Palmer	
D497,051 S	10/2004	Nieves	
D498,471 S *	11/2004	Solland et al.	D14/215
D502,165 S *	2/2005	Ching	D14/156

DESCRIPTION

FIG. 1 is a rear perspective view of a portable speaker system.

FIG. 2 is a front perspective view of the portable speaker system FIG. 1.

FIG. 3 is a rear elevational view of the portable speaker system of FIG. 1.

FIG. 4 is a front elevational view of the portable speaker system of FIG. 1.

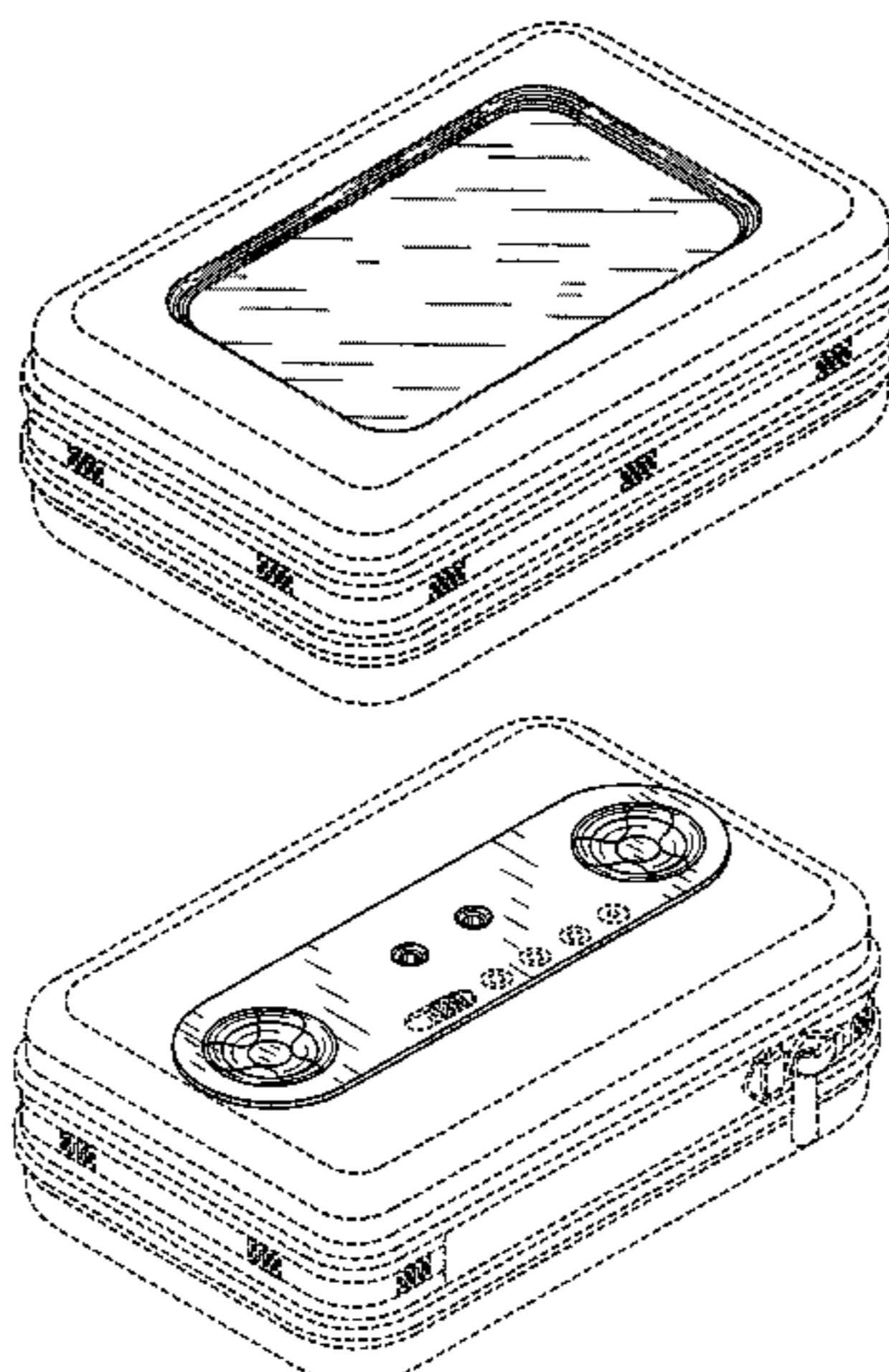
FIG. 5 is a top plan view of the portable speaker system of FIG. 1.

FIG. 6 is a bottom plan view of the portable speaker system of FIG. 1; and,

FIG. 7 is a left side elevational view of the portable speaker system of FIG. 1.

The broken lines in the figures are for environmental purpose only and form no part of the claimed design.

1 Claim, 6 Drawing Sheets



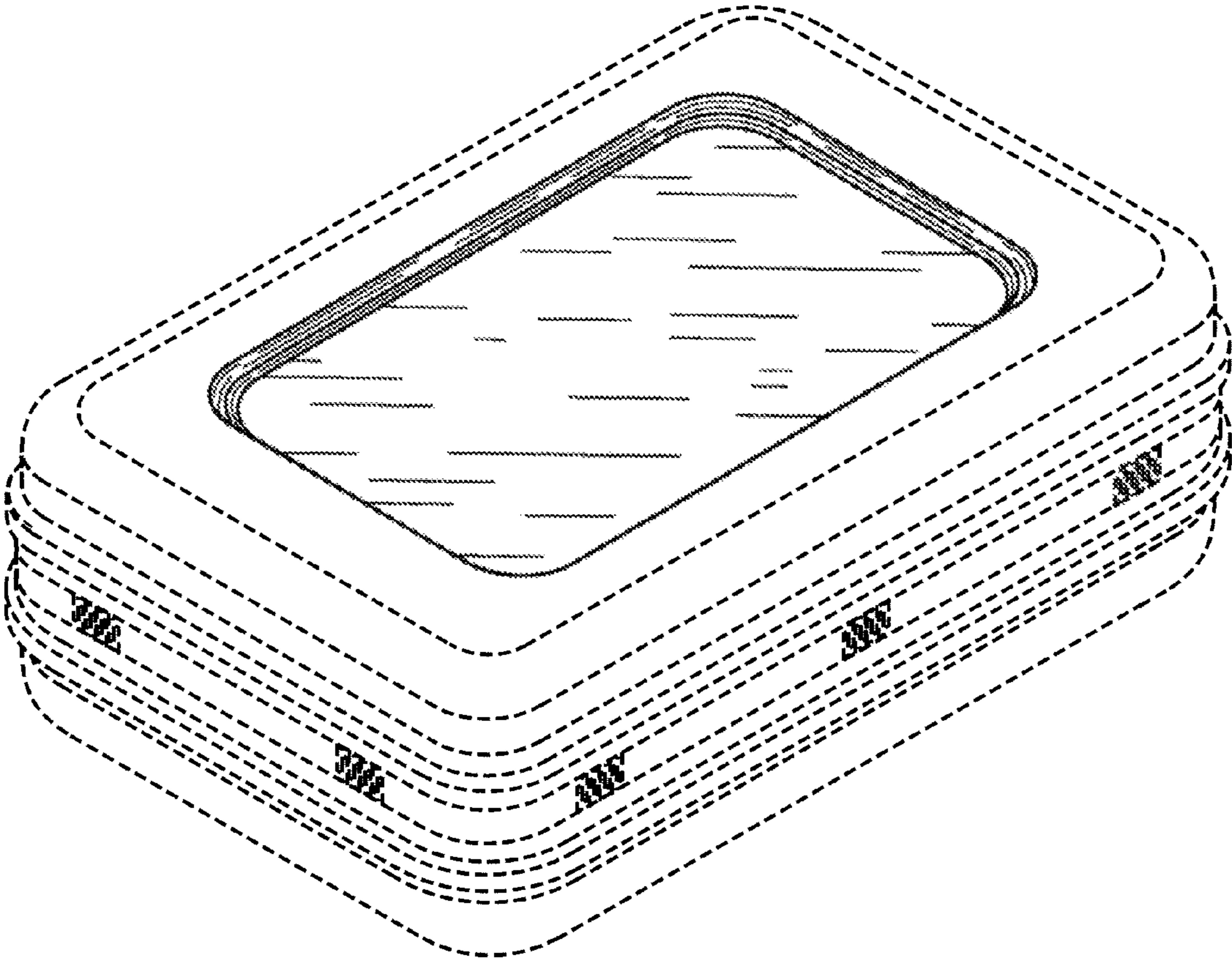


FIG. 1

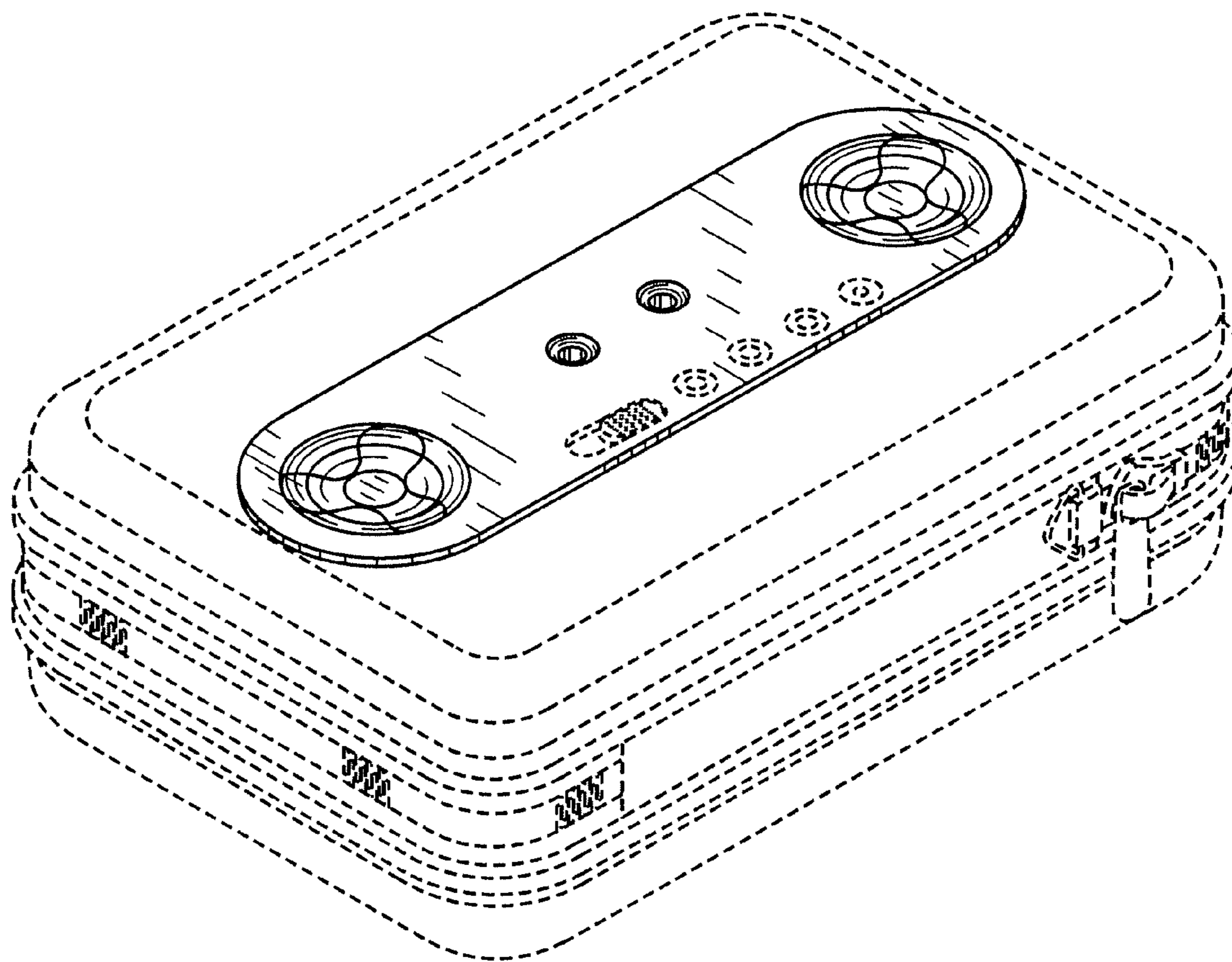


FIG. 2

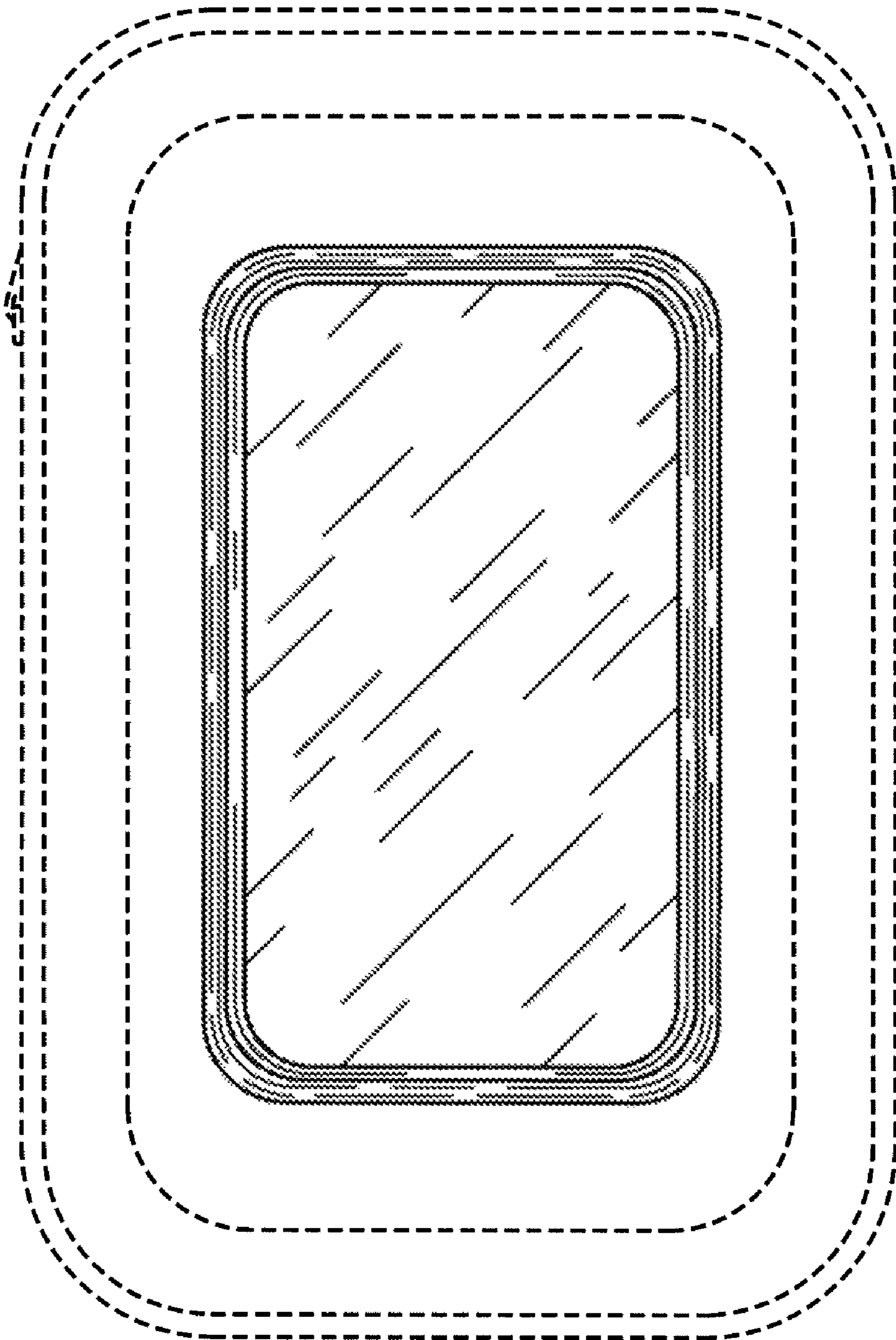


FIG. 3

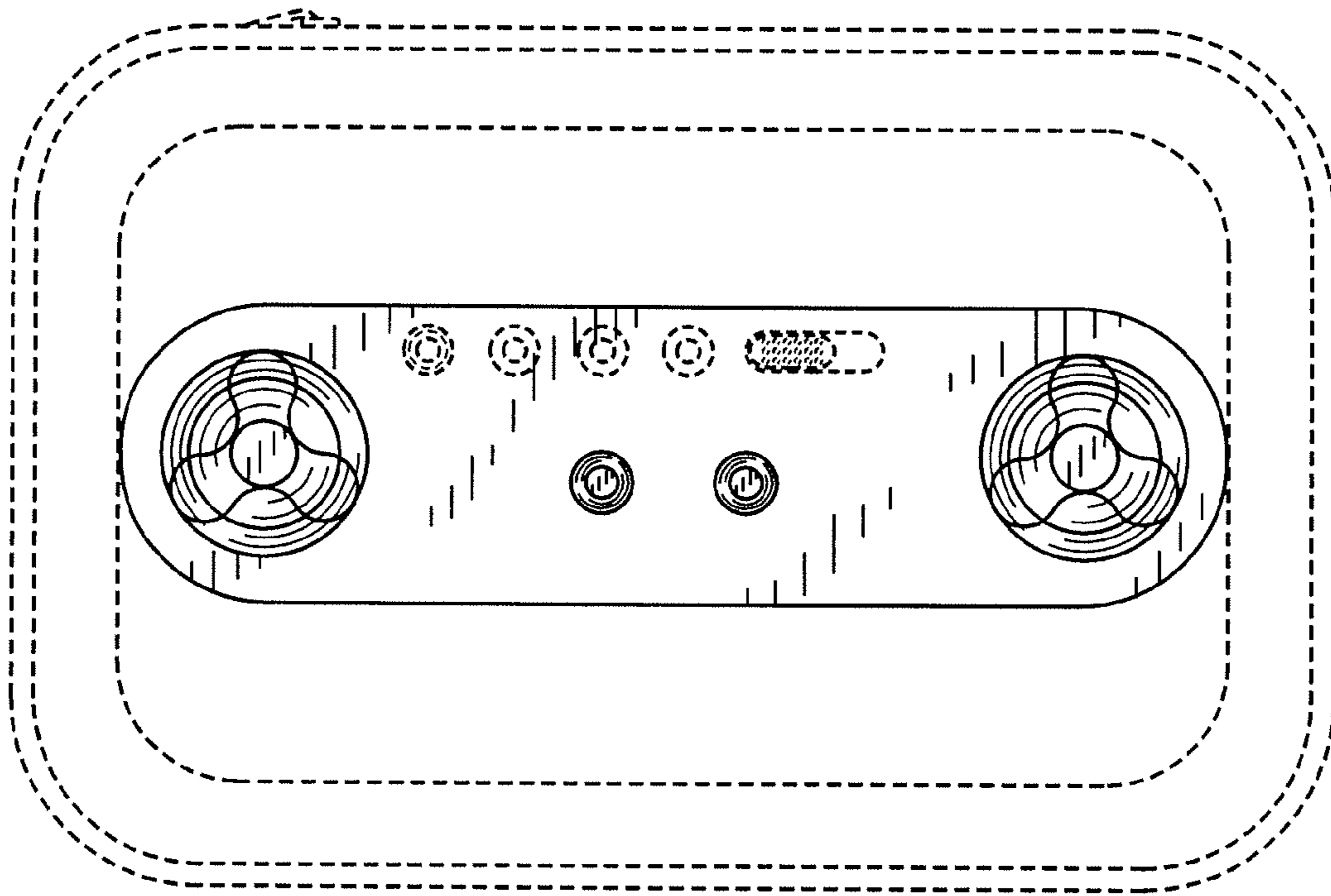


FIG. 4

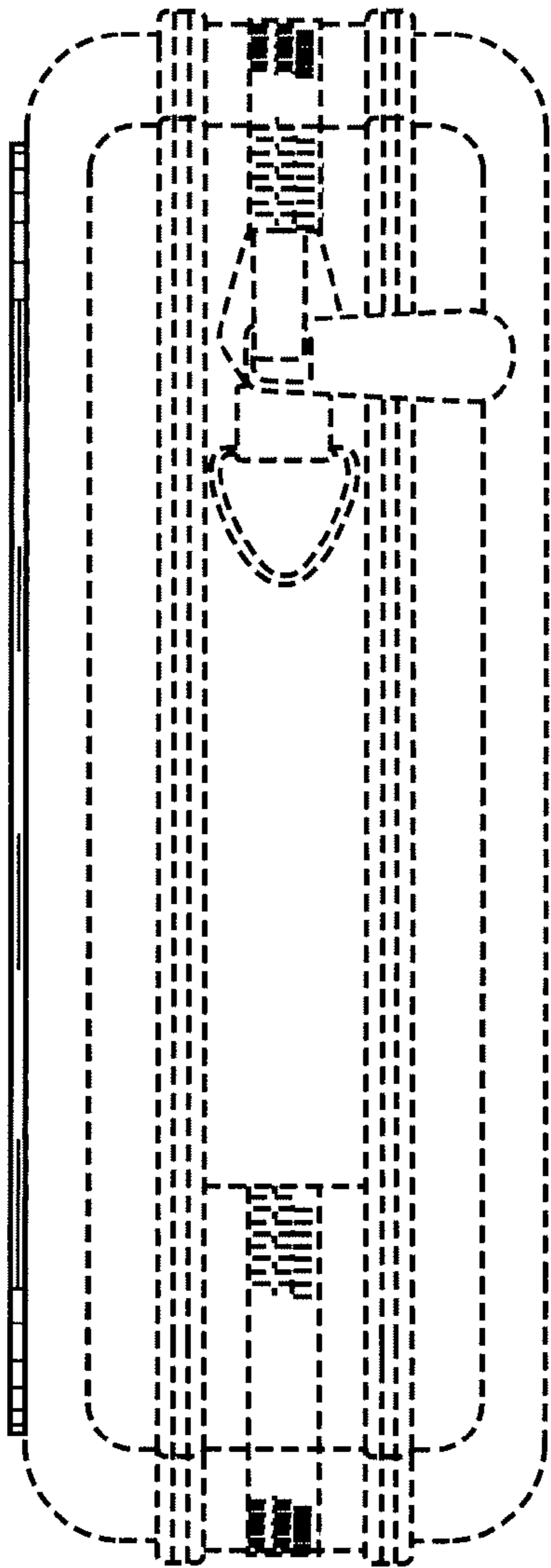


FIG. 5

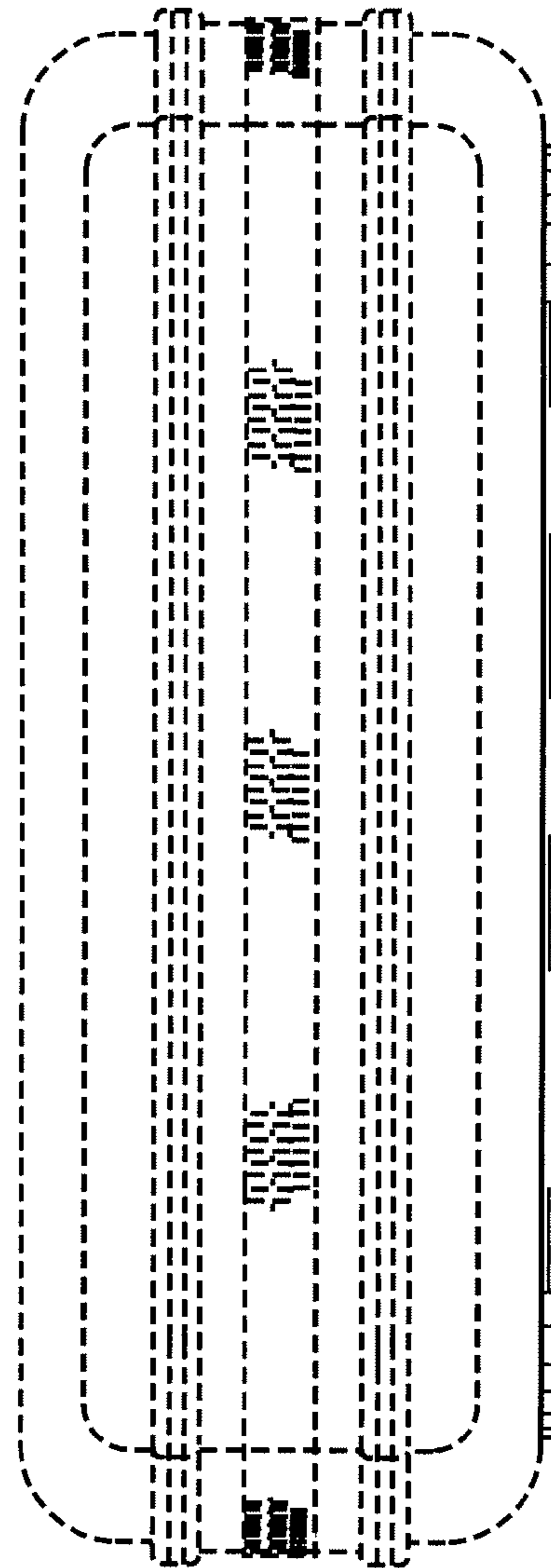


FIG. 6

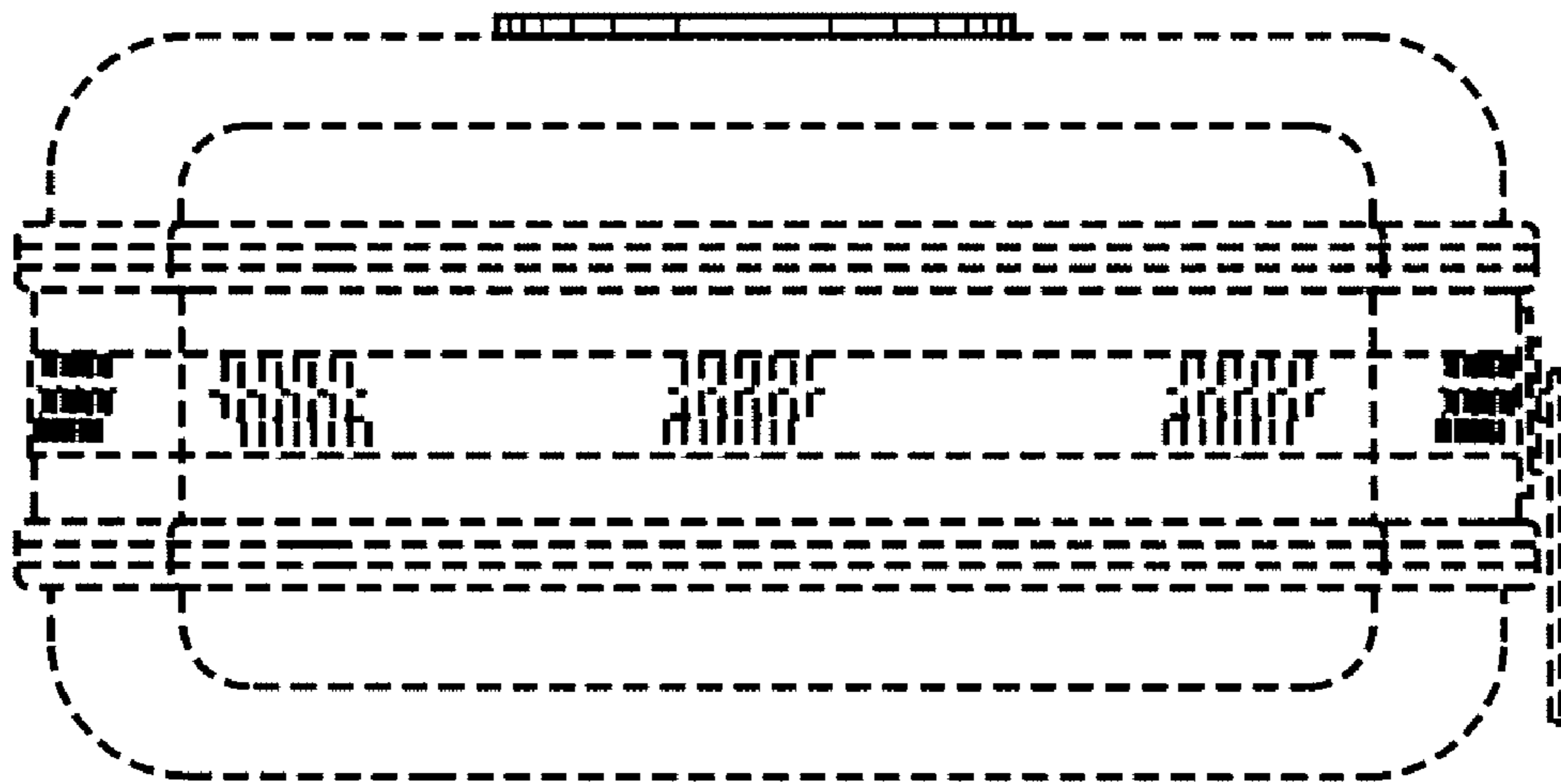


FIG. 7