



US00D596154S

(12) **United States Design Patent**
Rivkin

(10) **Patent No.:** **US D596,154 S**
(45) **Date of Patent:** **** Jul. 14, 2009**

(54) **ELECTRICAL EQUIPMENT RECEPTACLE COVER**

(75) Inventor: **Richard A. Rivkin**, Deerfield, IL (US)

(73) Assignee: **Saf-T-Gard International, Inc.**,
Northbrook, IL (US)

(**) Term: **14 Years**

(21) Appl. No.: **29/310,663**

(22) Filed: **Sep. 2, 2008**

(51) **LOC (9) Cl.** **14-03**

(52) **U.S. Cl.** **D14/140.5; D13/184**

(58) **Field of Classification Search** D14/140,
D14/140.1-140.11, 155, 240, 242-243, 308-313,
D14/358; D13/133, 152, 184; 174/50, 52.1,
174/58; 220/3.8, 4.02; 312/223.1, 223.2;
340/870.02; 361/300, 600-601, 688, 704,
361/724, 796, 679.01, 722

See application file for complete search history.

(56) **References Cited**

U.S. PATENT DOCUMENTS

D115,709	S	*	7/1939	Olley	D13/184
4,858,068	A	*	8/1989	Bittler et al.	361/679.01
5,105,337	A	*	4/1992	Bittler et al.	361/722
D346,155	S	*	4/1994	More	D13/184
D393,468	S	*	4/1998	Dalby	D14/140.5
D404,722	S	*	1/1999	Chen	D13/184
6,118,662	A	*	9/2000	Hutchison et al.	361/704

D436,101	S	*	1/2001	McGovern et al.	D14/140.5
6,507,494	B1	*	1/2003	Hutchison et al.	361/704
6,708,834	B2	*	3/2004	Hagerman, III	220/4.02
D508,236	S	*	8/2005	Duke et al.	D13/184
D514,532	S	*	2/2006	Paoli	D13/184
7,279,633	B2	*	10/2007	Waters	174/50

* cited by examiner

Primary Examiner—Ian Simmons

Assistant Examiner—Carla Jobe Wright

(74) *Attorney, Agent, or Firm*—McHale & Slavin, P.A.

(57) **CLAIM**

The ornamental design for an electrical equipment receptacle cover, as shown and described.

DESCRIPTION

FIG. 1 is a front left side perspective view of the electrical equipment receptacle cover showing my new design;

FIG. 2 is a right rear perspective view thereof;

FIG. 3 is a top plan view thereof, with the bottom plan view being identical thereto;

FIG. 4 is a front elevational view thereof;

FIG. 5 is a left side elevational view thereof, with the right side elevational view being the mirror image thereof; and,

FIG. 6 is a rear elevational view thereof.

The broken line showing of an electrical equipment box in FIG. 1 is for illustrative purposes only and forms no part of the claimed design.

1 Claim, 3 Drawing Sheets

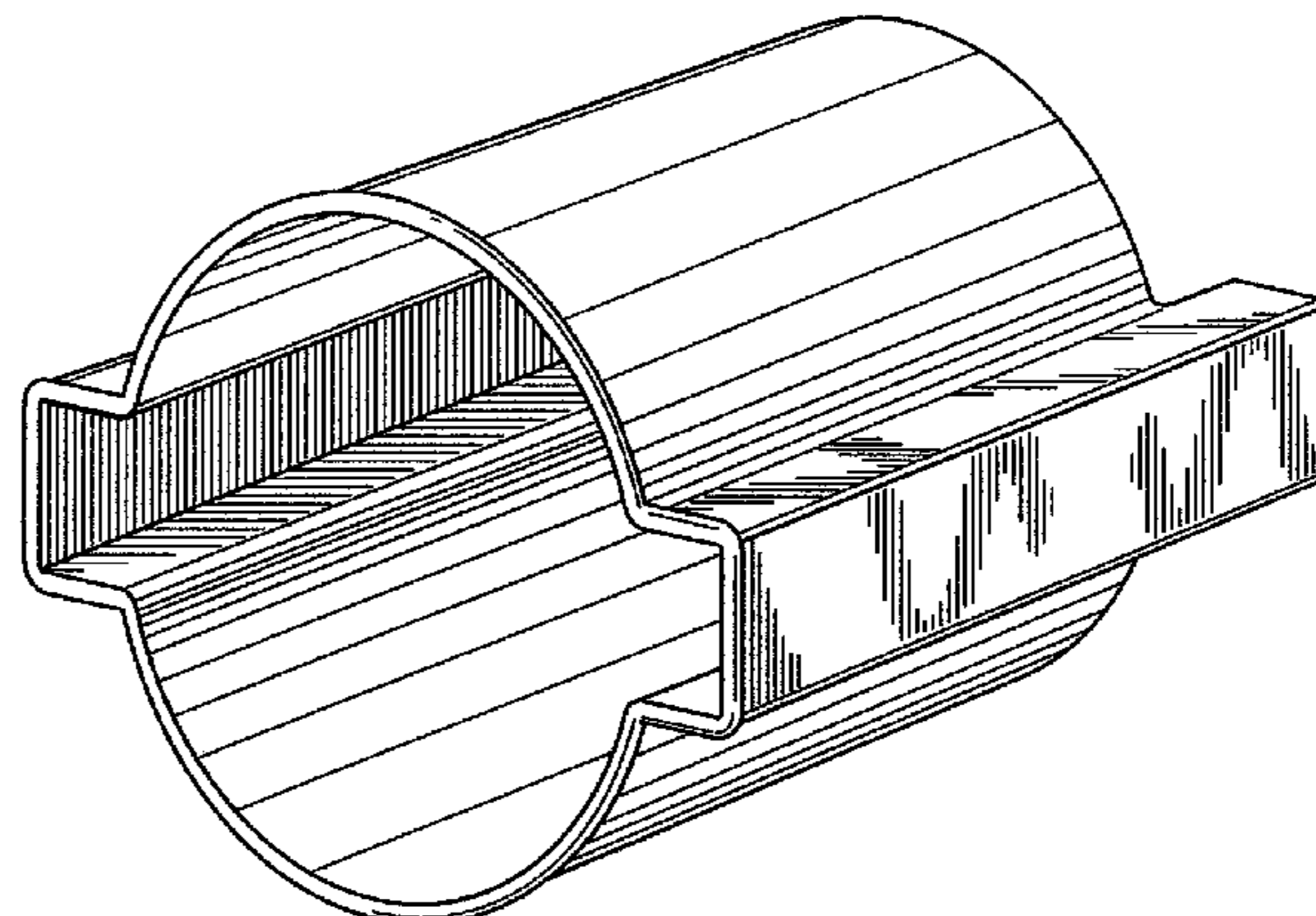
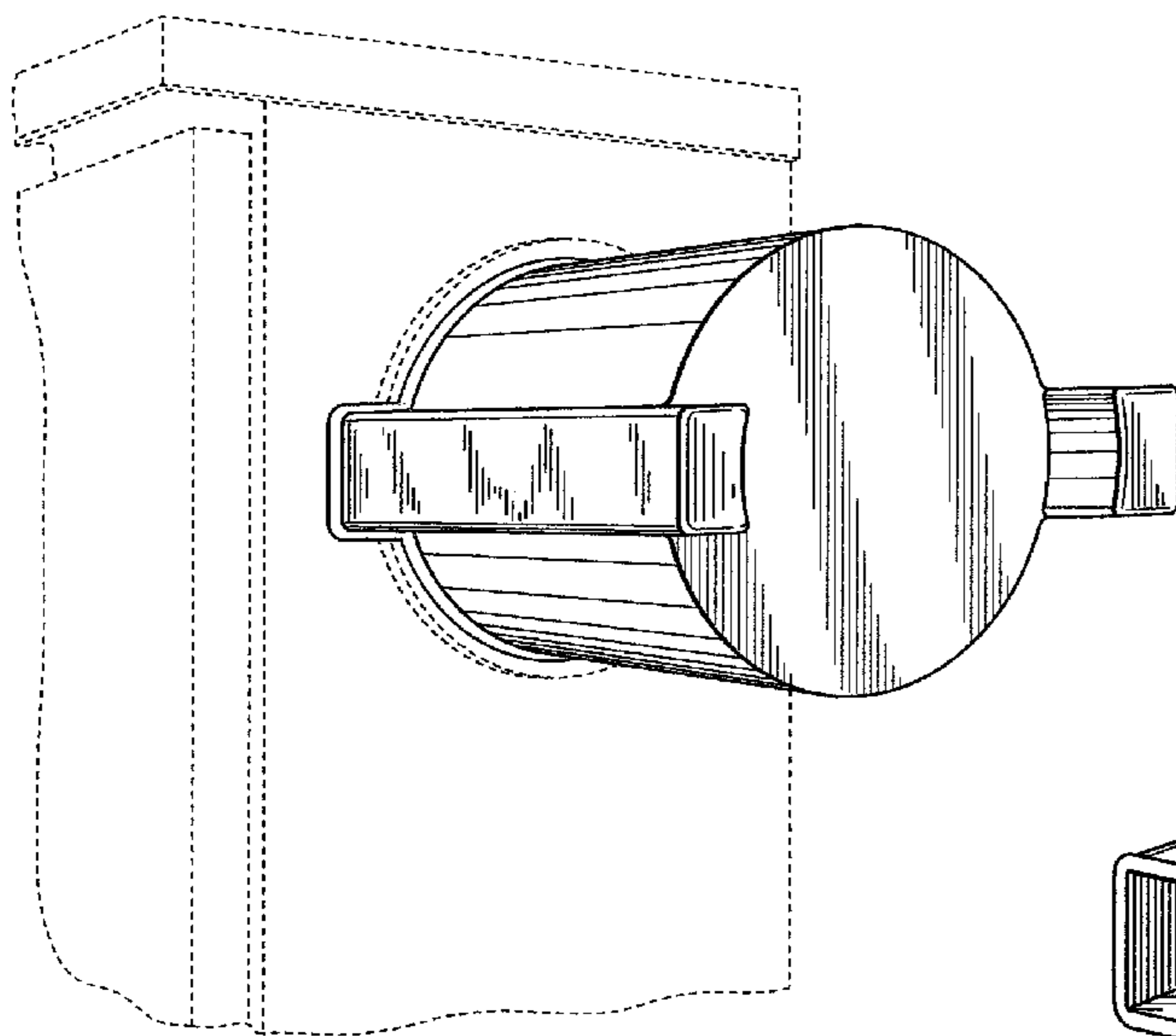


Fig. 1

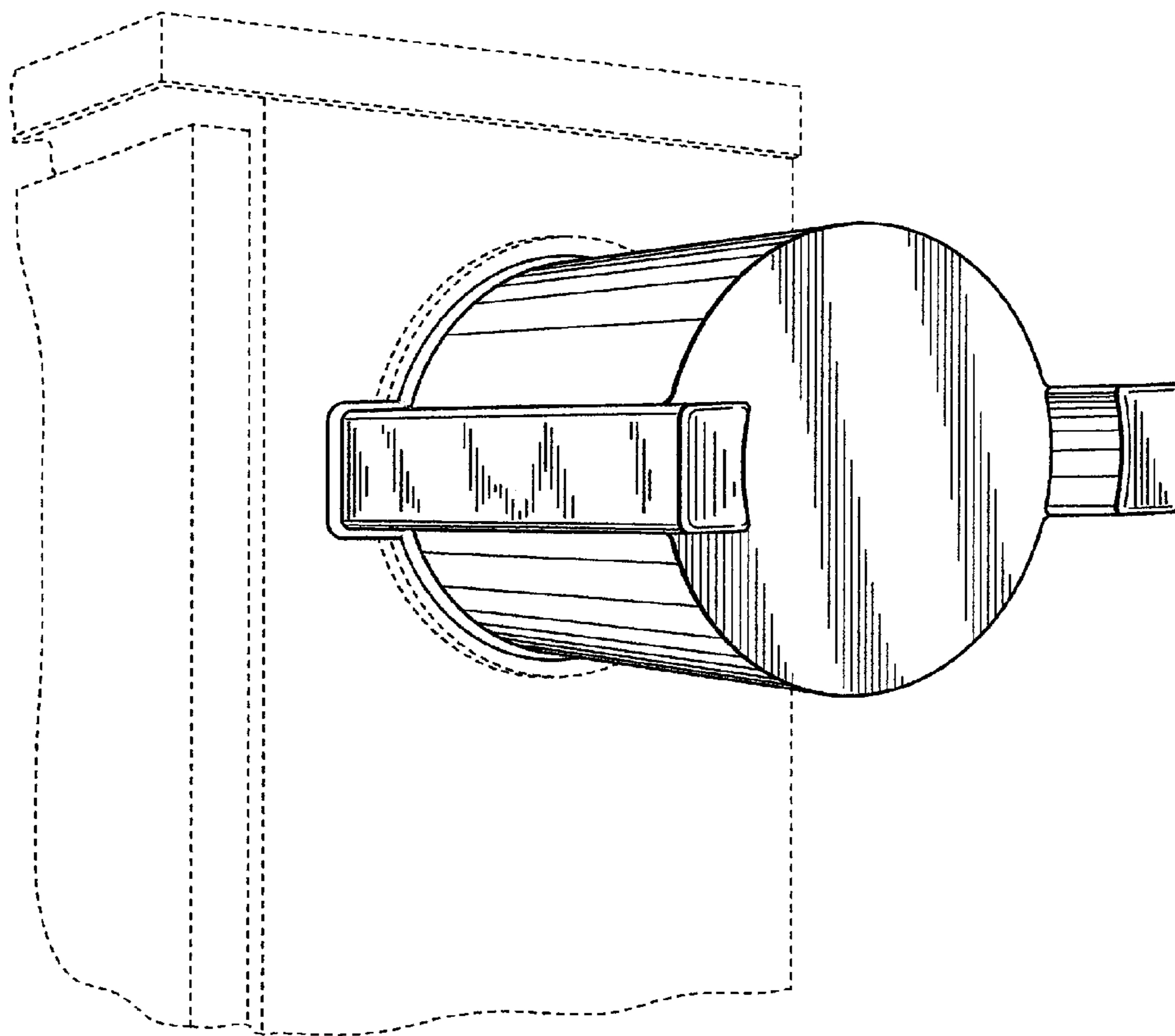


Fig. 2

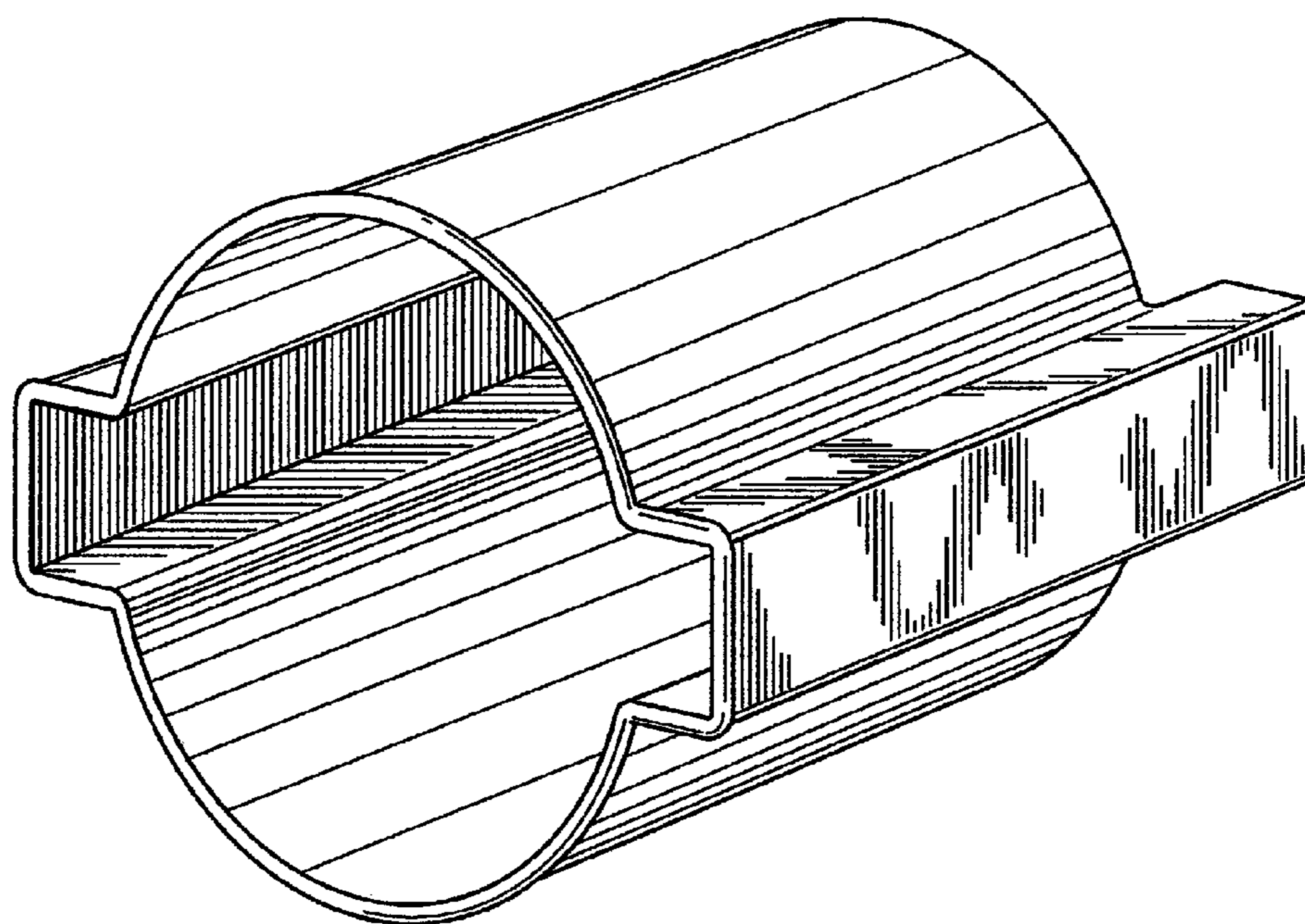


Fig. 3

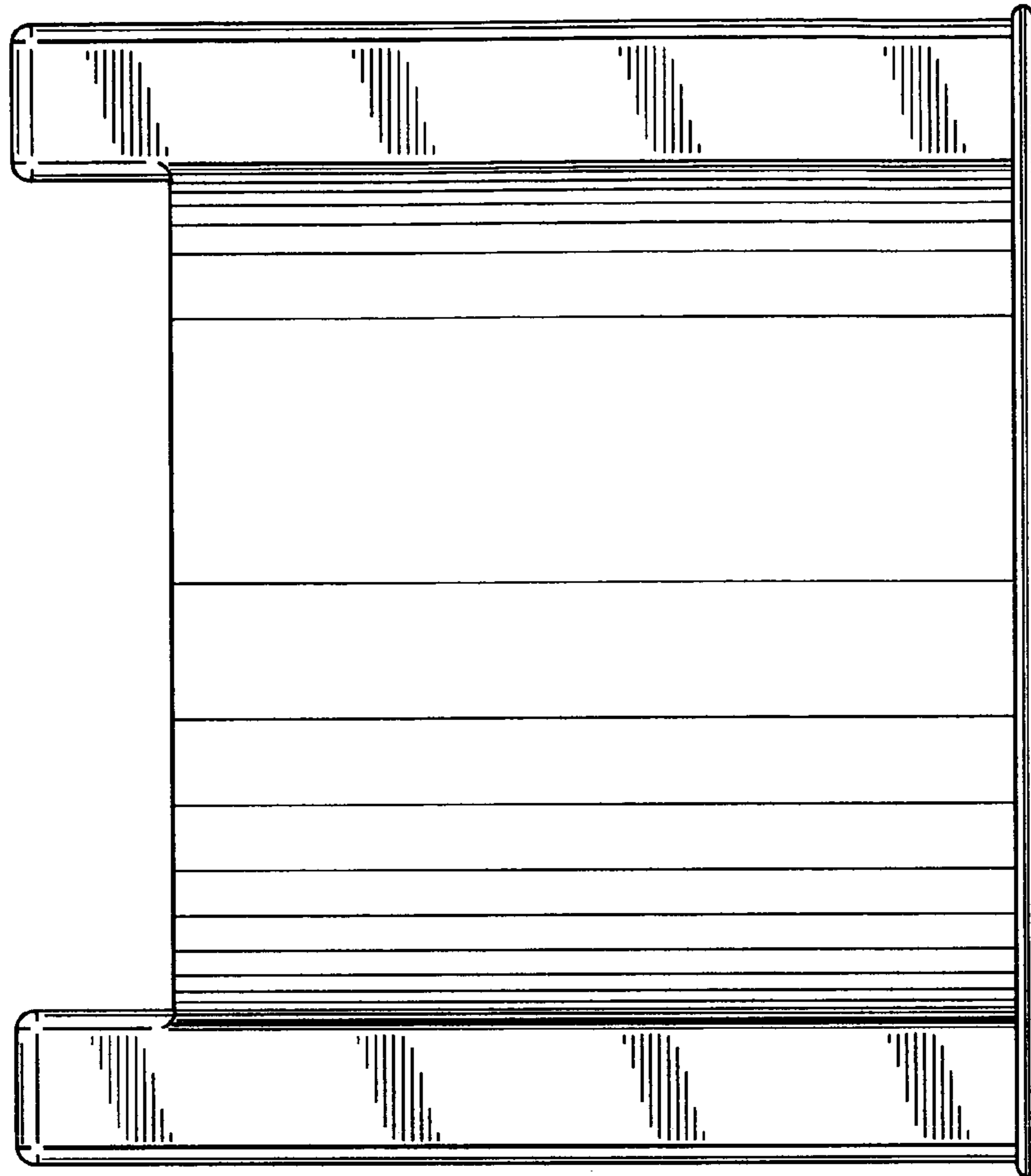


Fig. 4

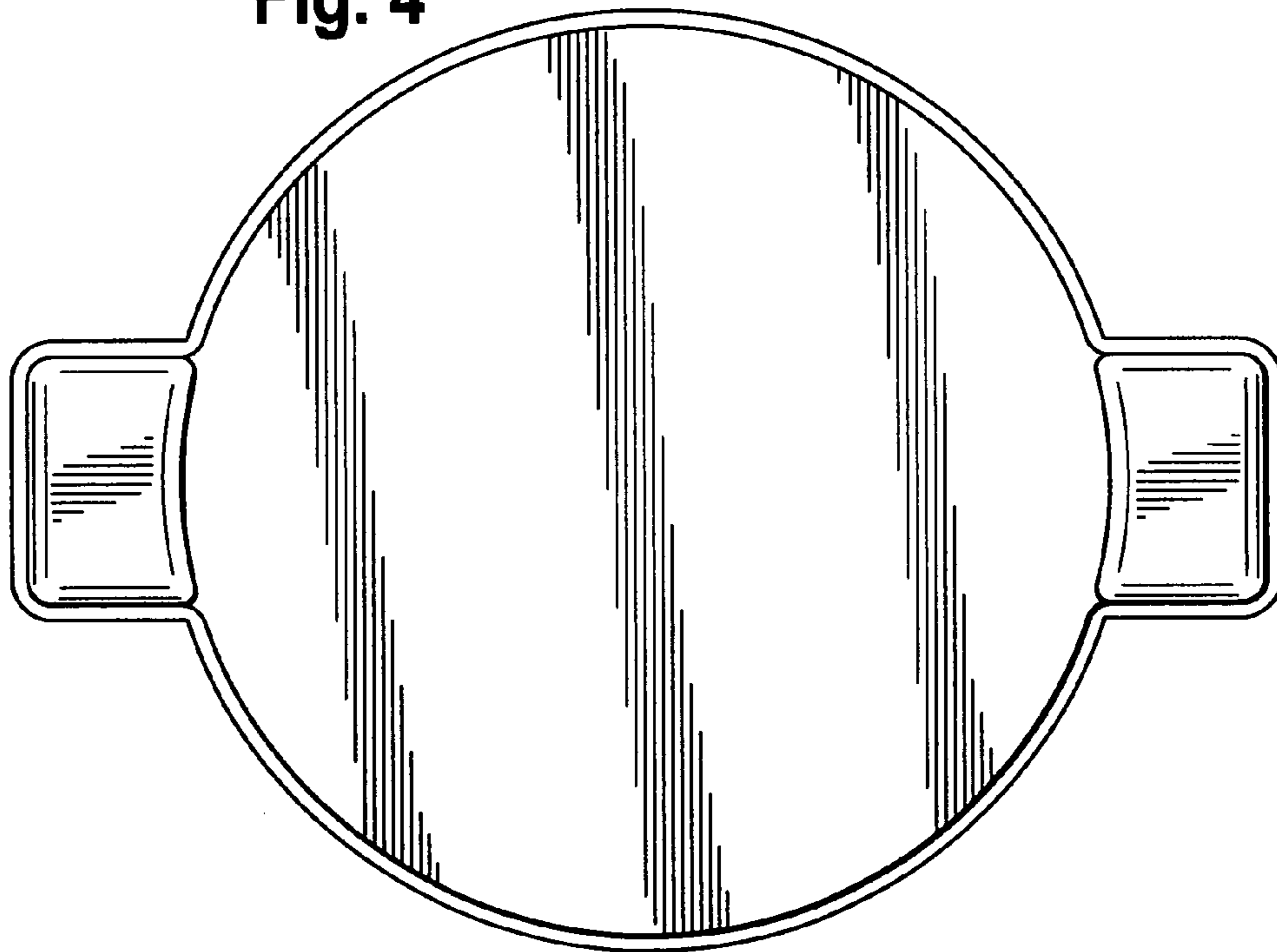


Fig. 5

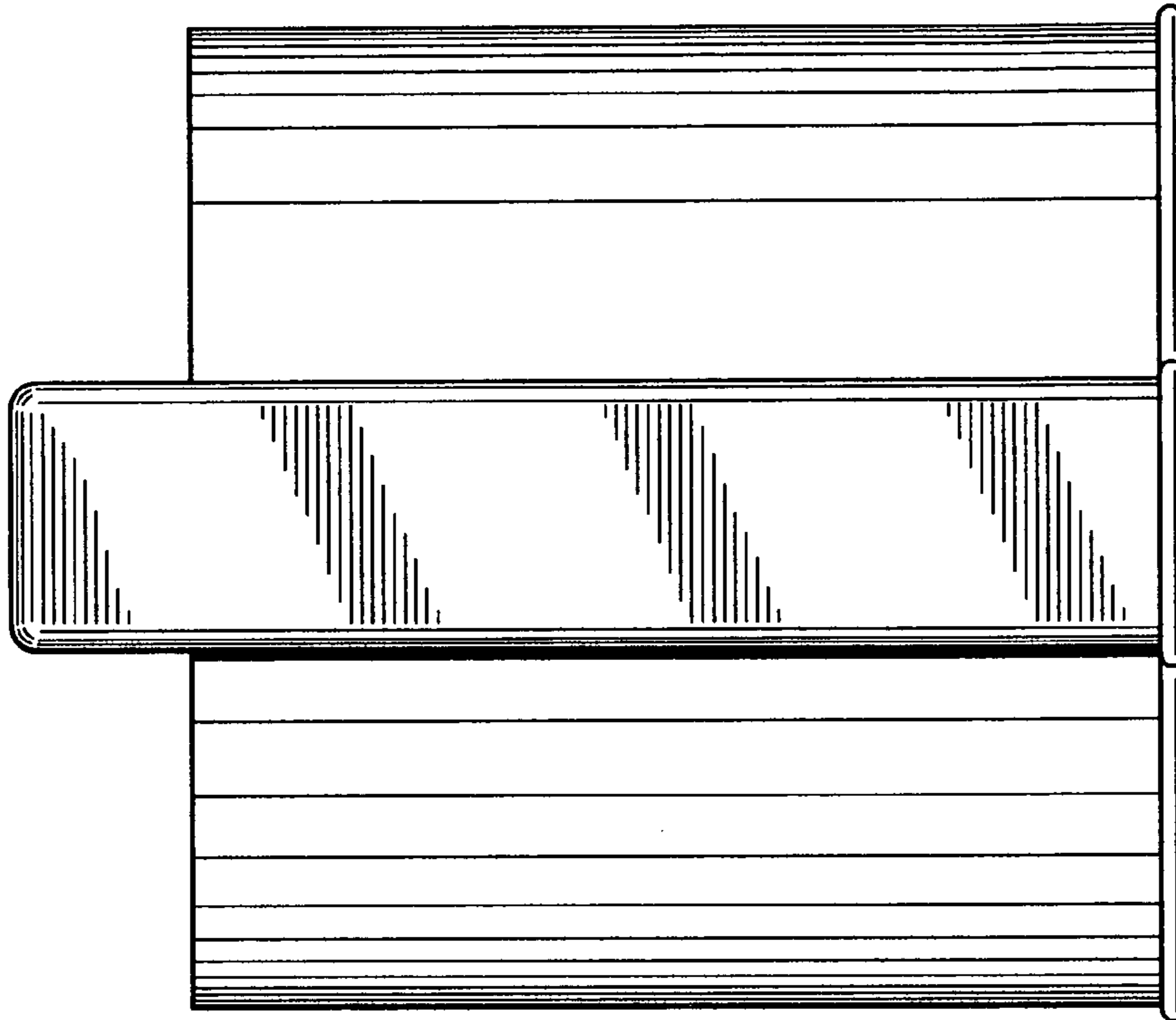


Fig. 6

