

US00D596150S

(12) **United States Design Patent**
Chen

(10) **Patent No.:** **US D596,150 S**
(45) **Date of Patent:** **** Jul. 14, 2009**

(54) **PORTABLE AUDIO DEVICE**

D497,897 S * 11/2004 Modschiedler D14/172
D504,415 S * 4/2005 Lum D14/168

(76) Inventor: **Mike Chen**, 3F., No. 2, Lane 497,
Jhongjheng Rd., Sindian City, Taipei
County 231 (TW)

* cited by examiner

(**) Term: **14 Years**

Primary Examiner—Nanda Bondade
(74) *Attorney, Agent, or Firm*—WPAT, P.C.; Anthony King

(21) Appl. No.: **29/229,349**

(57) **CLAIM**

(22) Filed: **May 9, 2005**

The ornamental design for a portable audio device, as shown
and described.

(51) **LOC (9) Cl.** **14-01**

DESCRIPTION

(52) **U.S. Cl.** **D14/136**

(58) **Field of Classification Search** D14/204,
D14/207, 210–216, 171–172, 162, 168; 181/143–144,
181/147–148, 150, 157, 198–199, 151, 153;
381/300–302, 306, 333, 345, 361–364, 386–388,
381/332, 336

FIG. 1 is a perspective view of a portable audio device show-
ing my new design;
FIG. 2 is a front view thereof;
FIG. 3 is a rear view thereof;
FIG. 4 is a right side view thereof;
FIG. 5 is a left side view thereof;
FIG. 6 is a top view thereof;
FIG. 7 is a bottom view thereof; and,
FIG. 8 is a reference showing the portable audio device
when it is in use.

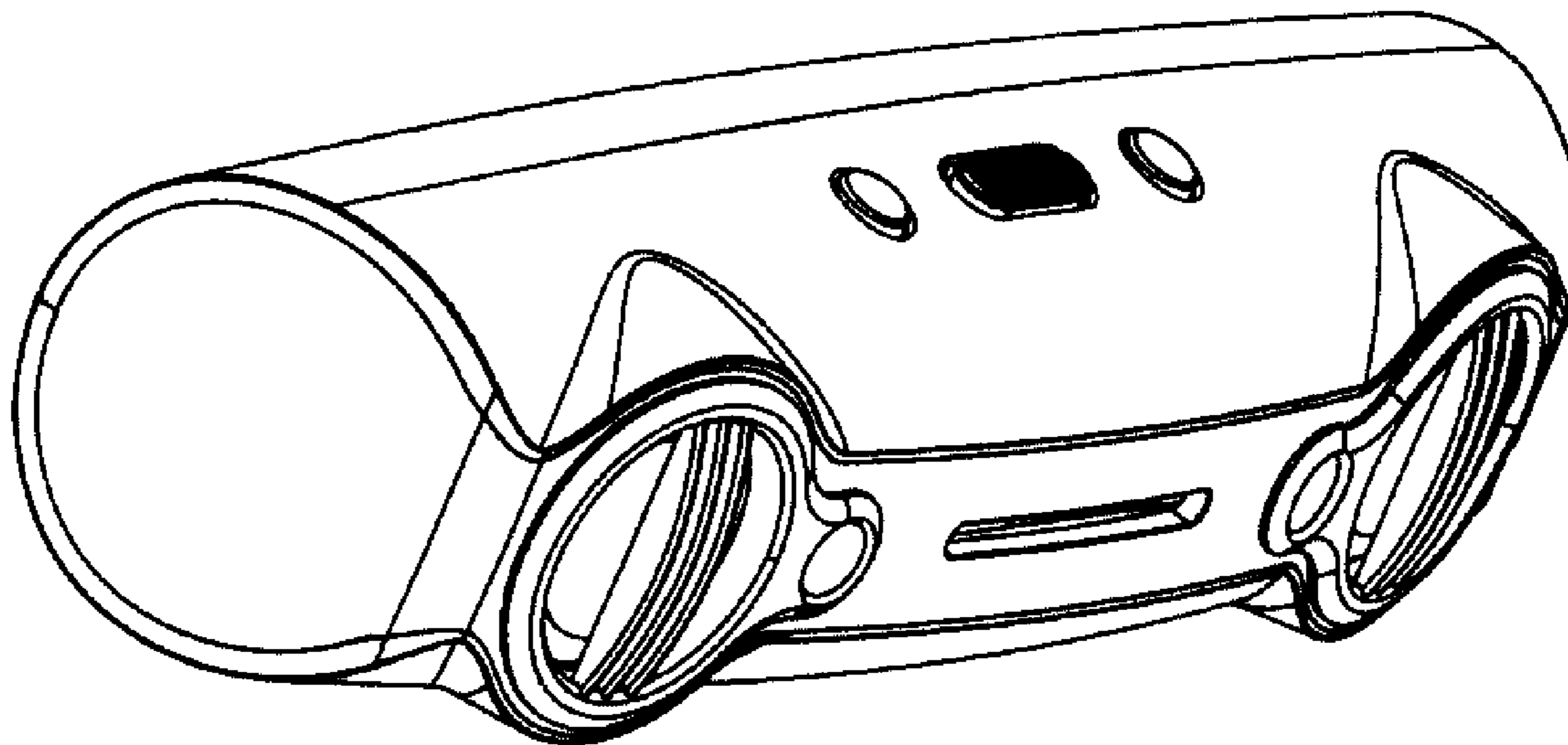
See application file for complete search history.

(56) **References Cited**

U.S. PATENT DOCUMENTS

D483,349 S * 12/2003 Murakami D14/215
D491,167 S * 6/2004 Yokoyama D14/215

1 Claim, 5 Drawing Sheets



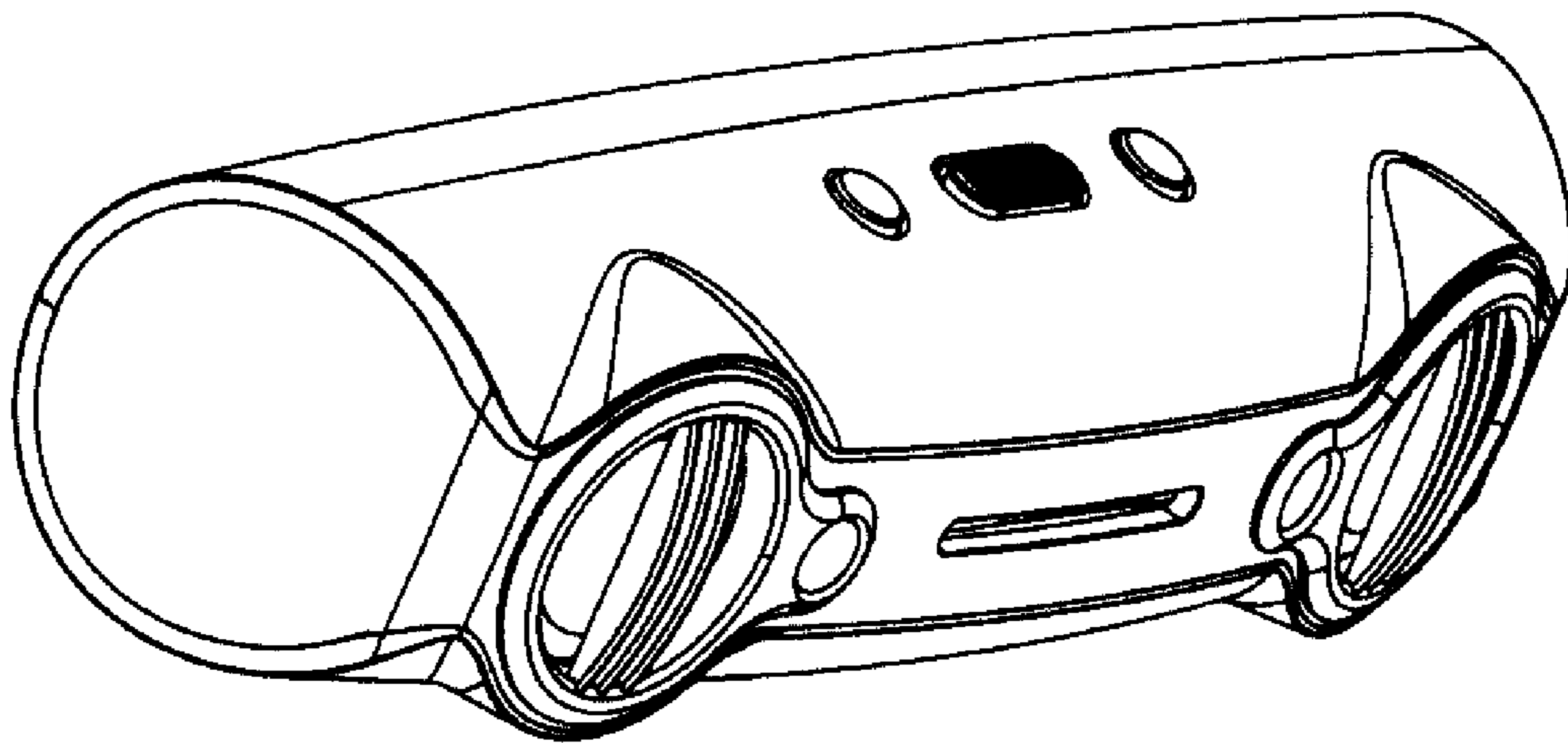


Fig. 1

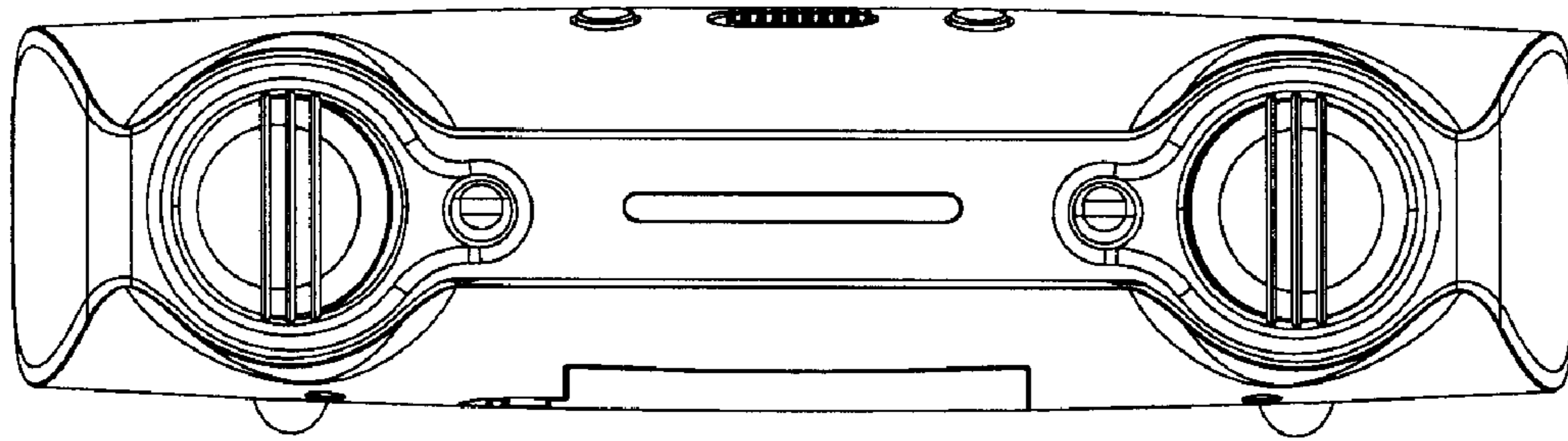


Fig. 2

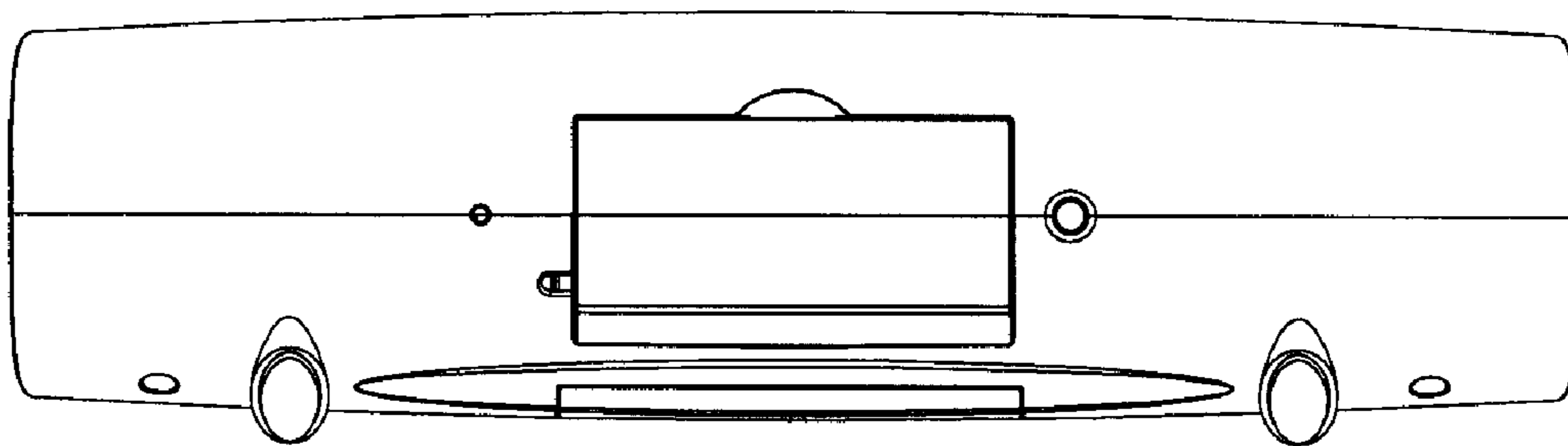


Fig. 3

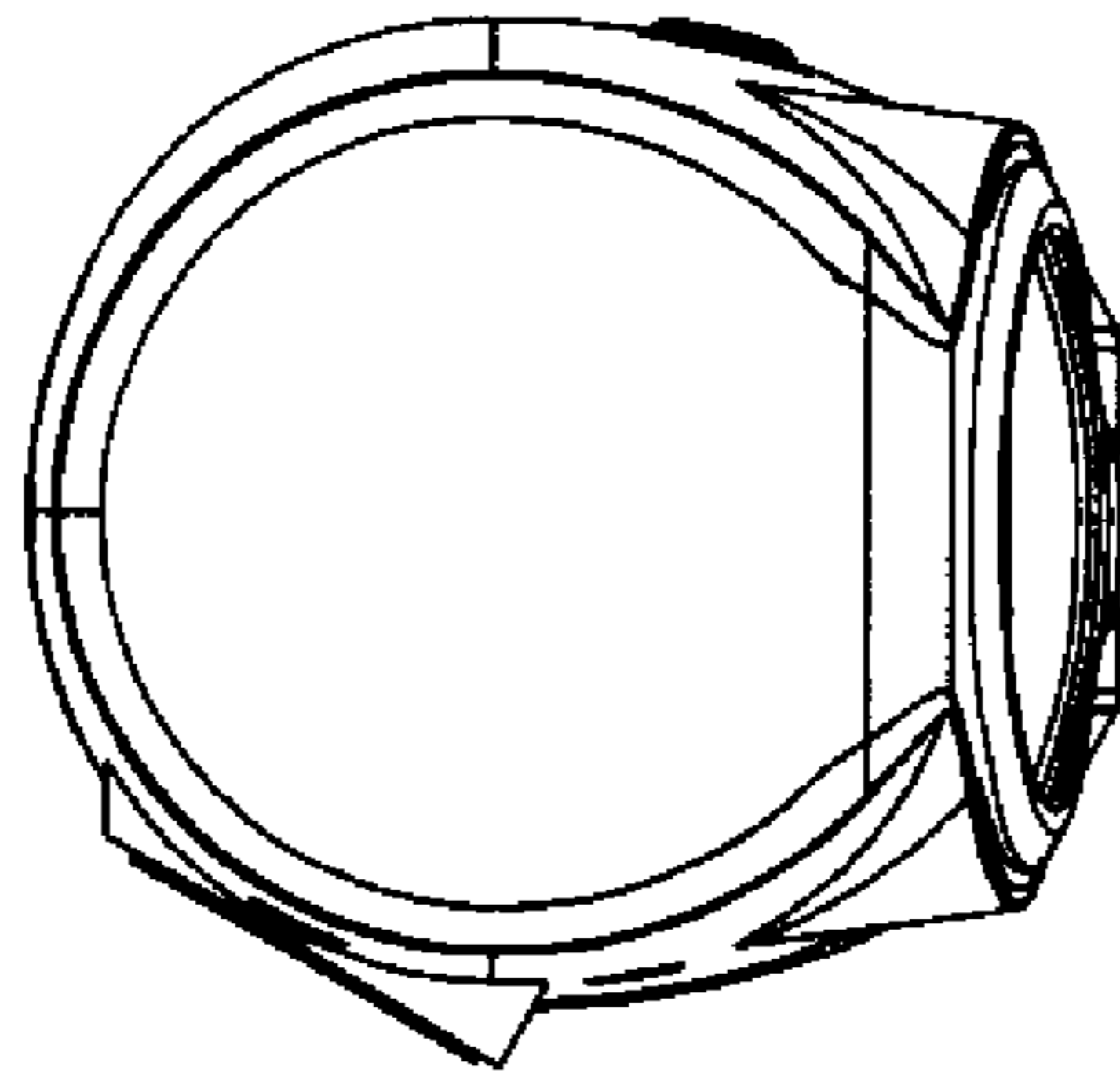


Fig. 4

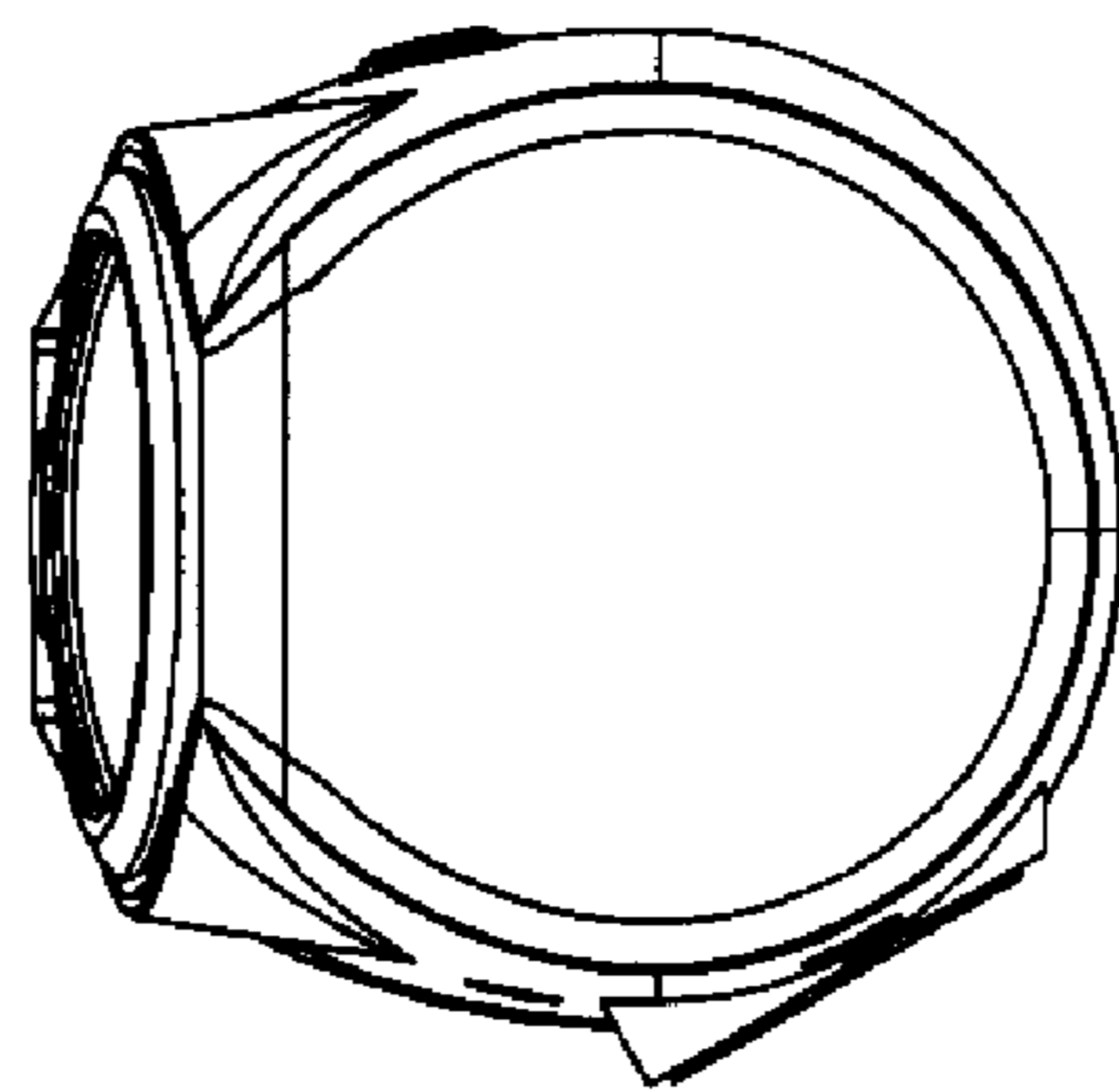


Fig. 5

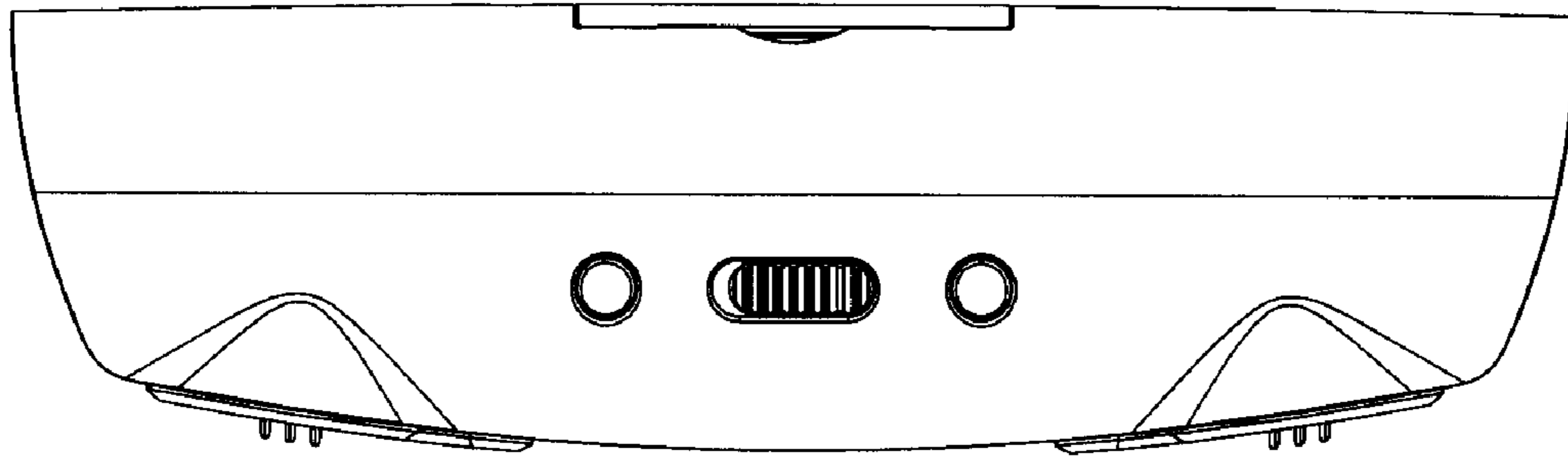


Fig. 6

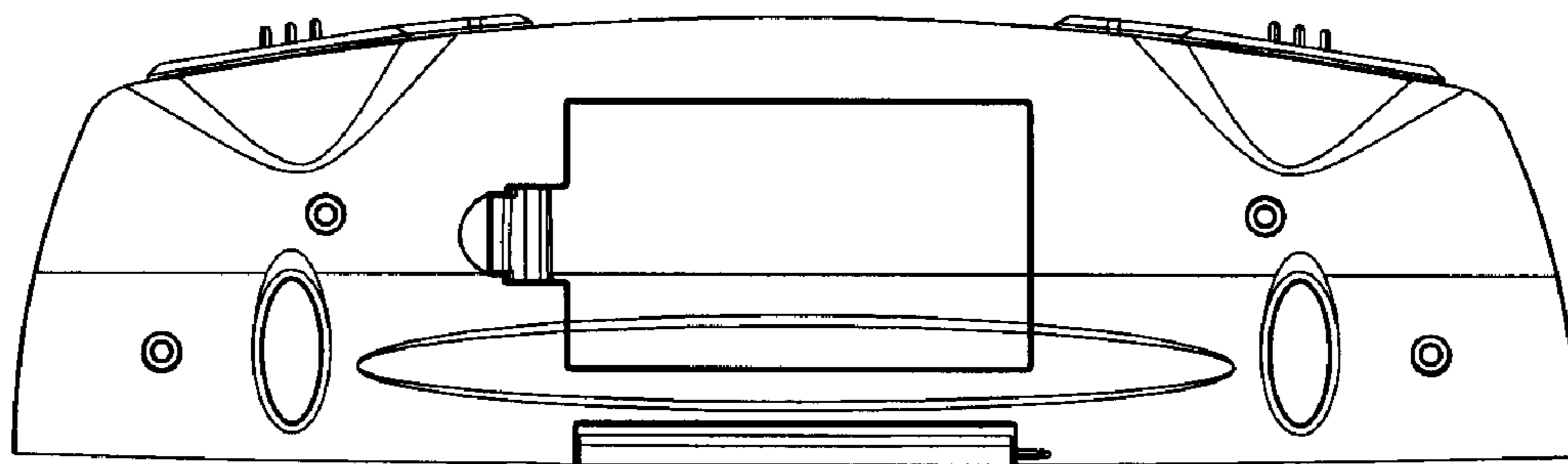


Fig. 7

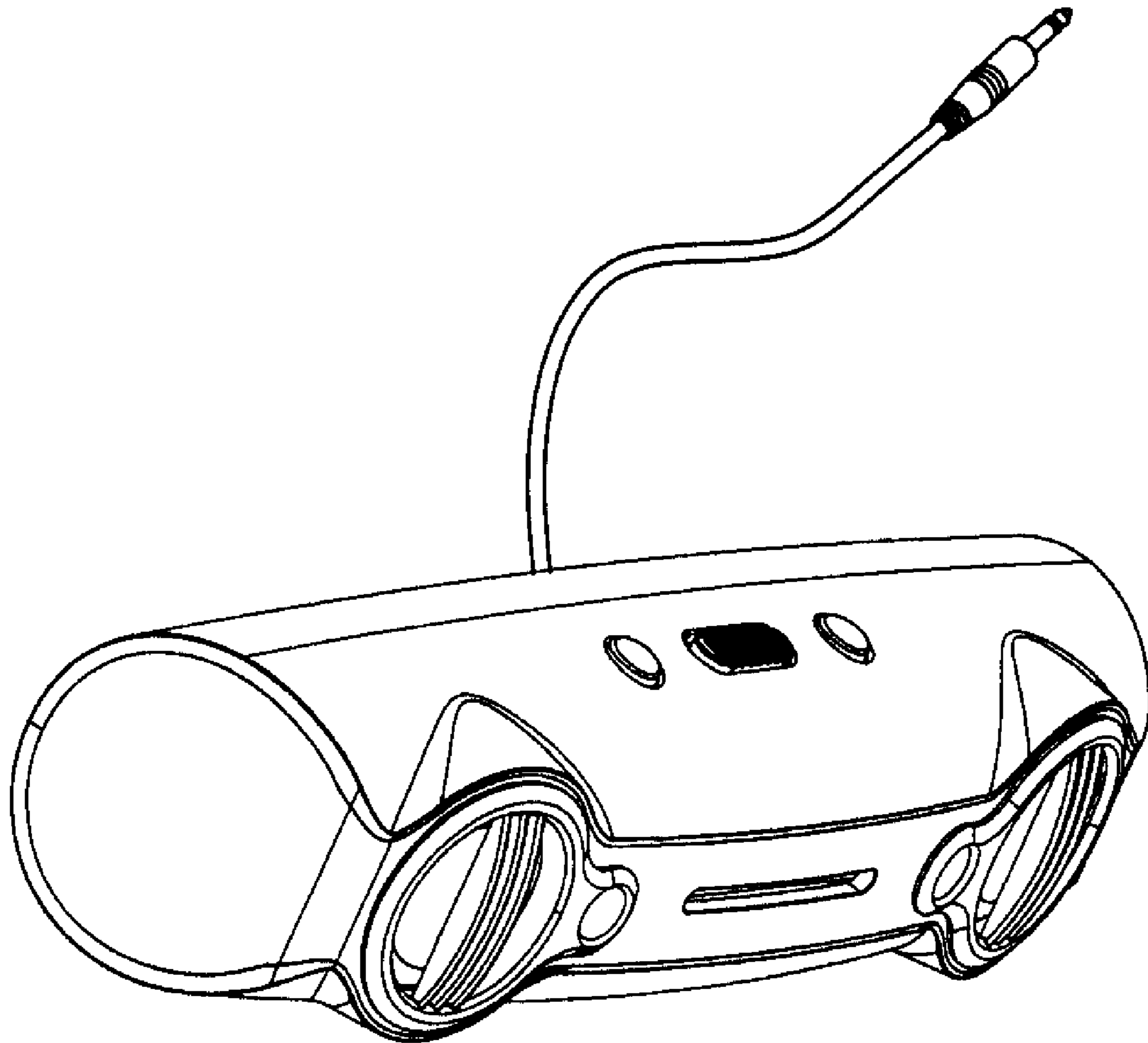


Fig. 8