

US00D596149S

(12) **United States Design Patent**
Cho et al.

(10) **Patent No.:** **US D596,149 S**
(45) **Date of Patent:** **** Jul. 14, 2009**

(54) **SET TOP BOX**

(75) Inventors: **Chul-Yong Cho**, Seoul (KR);
Kyung-Hoon Lee, Seoul (KR);
Dae-Joung Kim, Seoul (KR); **Bum-Ho Chun**, Seoul (KR)

(73) Assignee: **Samsung Electronics Co., Ltd.**,
Kyunggi-do (KR)

(**) Term: **14 Years**

(21) Appl. No.: **29/313,612**

(22) Filed: **Jan. 27, 2009**

(51) **LOC (9) Cl.** **14-03**

(52) **U.S. Cl.** **D14/125**

(58) **Field of Classification Search** D14/125-134,
D14/239, 371, 136, 374-377; 312/7.2; 348/836,
348/838, 180, 184, 325, 739; 341/12; 248/917-924,
248/465, 123.11; 345/104, 133, 156, 168,
345/87, 173, 169; 349/1, 2, 11, 62; 720/605,
720/669, 600, 655, 99, 197; 455/344-347
See application file for complete search history.

(56) **References Cited**

U.S. PATENT DOCUMENTS

D466,875 S	*	12/2002	Kita	D14/125
D469,066 S	*	1/2003	Takahashi	D14/125
D529,879 S		10/2006	Park et al.		
D533,157 S		12/2006	Park		
D541,811 S		5/2007	Park		
D544,455 S		6/2007	Park et al.		
D545,774 S		7/2007	Woo et al.		
D551,183 S		9/2007	Park et al.		
D560,176 S		1/2008	Woo		
D560,177 S		1/2008	Chun et al.		
D560,182 S	*	1/2008	Park	D14/506
D560,689 S		1/2008	Cho		

D561,141 S	*	2/2008	Cho et al.	D14/502
D567,193 S		4/2008	Kang et al.		
D571,754 S		6/2008	Cho et al.		
D574,793 S		8/2008	Kim et al.		
D584,254 S		1/2009	Jeon et al.		
D584,701 S		1/2009	Kim et al.		
D585,395 S		1/2009	Cho et al.		
D587,223 S		2/2009	Chun		
D587,224 S		2/2009	Chun et al.		

OTHER PUBLICATIONS

U.S. Appl. No. 29/310,033, Applicant: Dae-Joung Kim, et al., filed Jul. 23, 2008 entitled Set Top Box.
U.S. Appl. No. 29/308,614, Applicant: Sang-Sung Woo, et al., filed Jun. 26, 2008 entitled Set Top Box.

(Continued)

Primary Examiner—Raphael Barkai
Assistant Examiner—Randall H Gholson
(74) *Attorney, Agent, or Firm*—Flynn, Thiel, Boutell & Tanis, P.C.

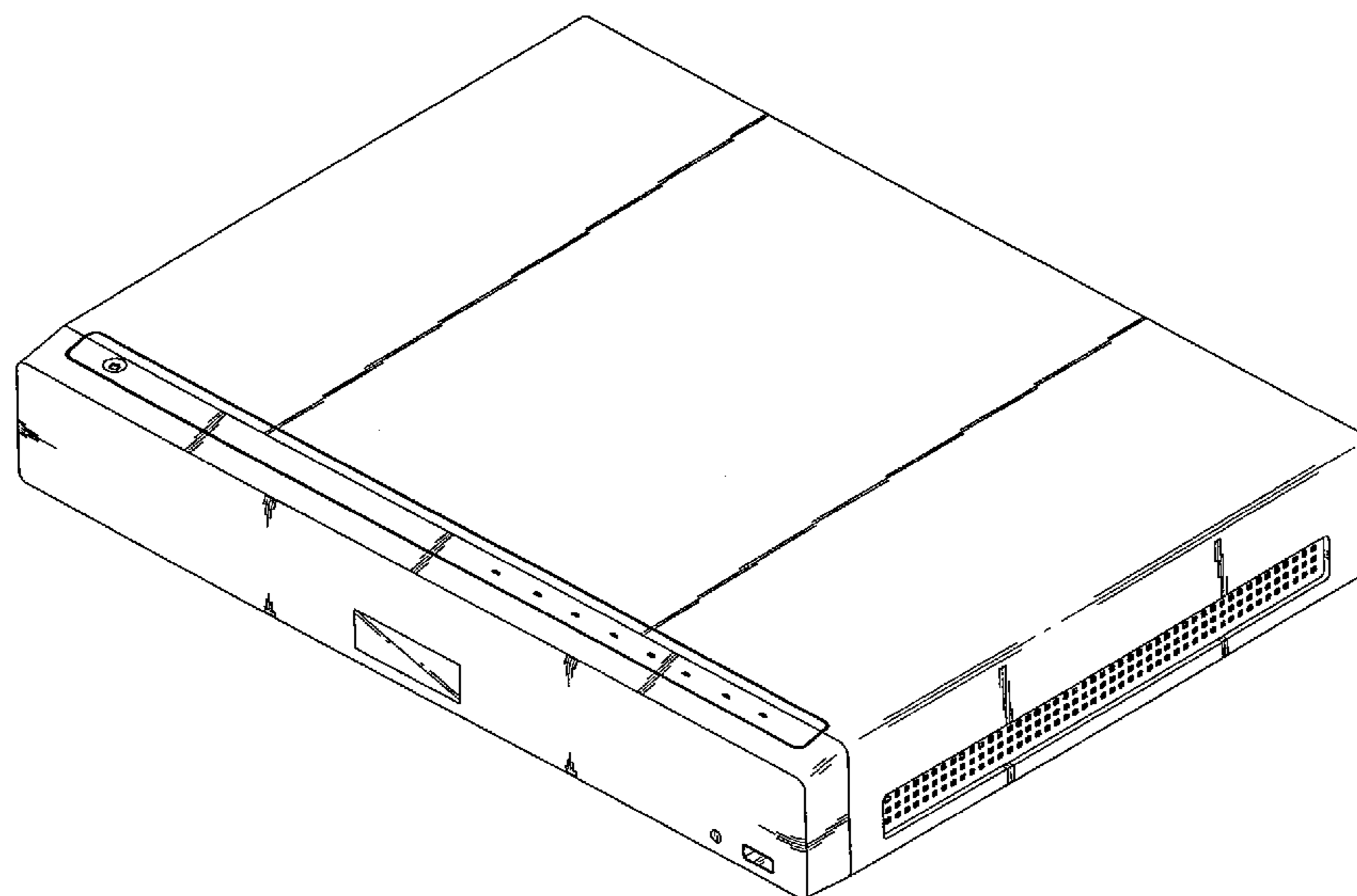
(57) **CLAIM**

The ornamental design for a set top box, as shown and described.

DESCRIPTION

FIG. 1 is a top front perspective view of a set top box showing our new design;
FIG. 2 is a front elevational view thereof;
FIG. 3 is a rear elevational view thereof;
FIG. 4 is a left side elevational view thereof;
FIG. 5 is a right side elevational view thereof;
FIG. 6 is a top plan view thereof; and,
FIG. 7 is a bottom plan view thereof.

1 Claim, 4 Drawing Sheets



OTHER PUBLICATIONS

U.S. Appl. No. 29/308,615, Applicant: Dae-Joung Kim, et al., filed Jun. 26, 2008 entitled Set Top Box.

U.S. Appl. No. 29/313,282, Applicant: Dae-Joung Kim, et al., filed Dec. 23, 2008 entitled Set Top Box.

U.S. Appl. No. 29/313,617, Applicant: Chul-Yong Cho, et al., filed Jan. 27, 2009 entitled Set Top Box.

U.S. Appl. No. 29/313,613, Applicant: Chul-Yong Cho, et al., filed Jan. 27, 2009 entitled Set Top Box.

U.S. Appl. No. 29/313,614, Applicant: Chul-Yong Cho, et al., filed Jan. 27, 2009 entitled Set Top Box.

U.S. Appl. No. 29/313,615, Applicant: Chul-Yong Cho, et al., filed Jan. 27, 2009 entitled Set Top Box.

U.S. Appl. No. 29/313,616, Applicant: Chul-Yong Cho, et al., filed Jan. 27, 2009 entitled Set Top Box.

U.S. Appl. No. 29/313,284, Applicant: Chul-Yong Cho, et al., filed Dec. 23, 2008 entitled Set Top Box.

* cited by examiner

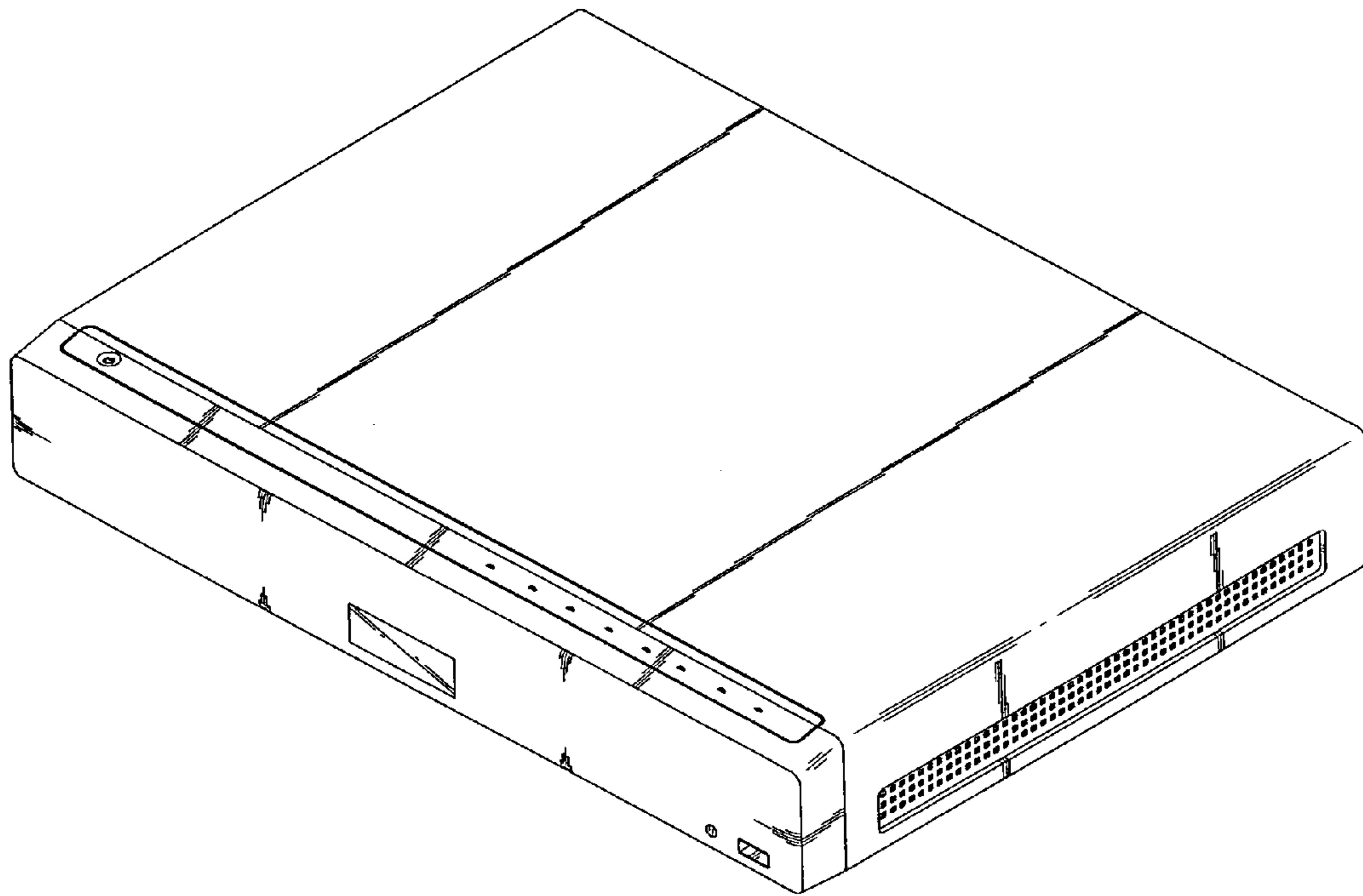


FIG. 1

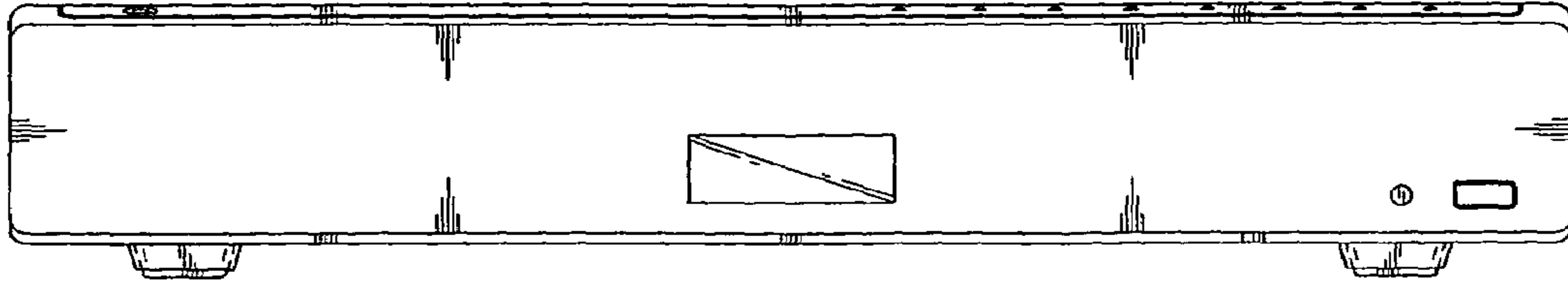


FIG. 2

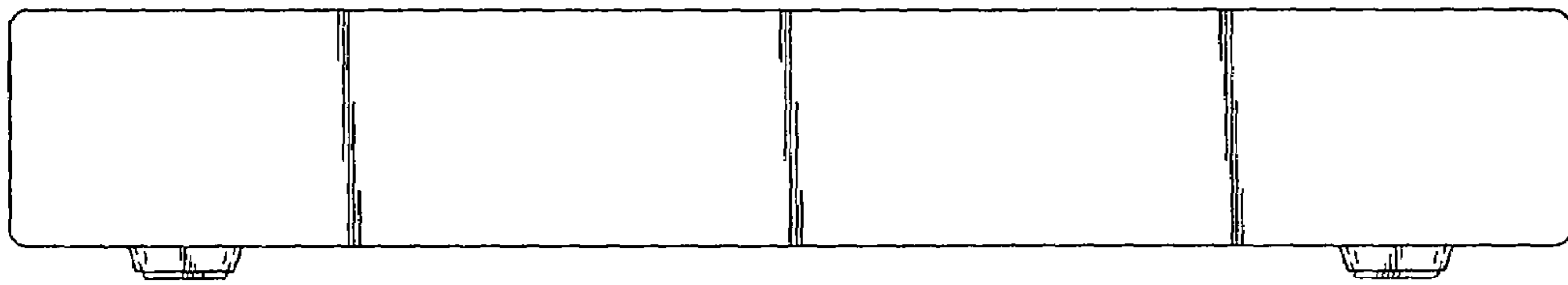


FIG. 3

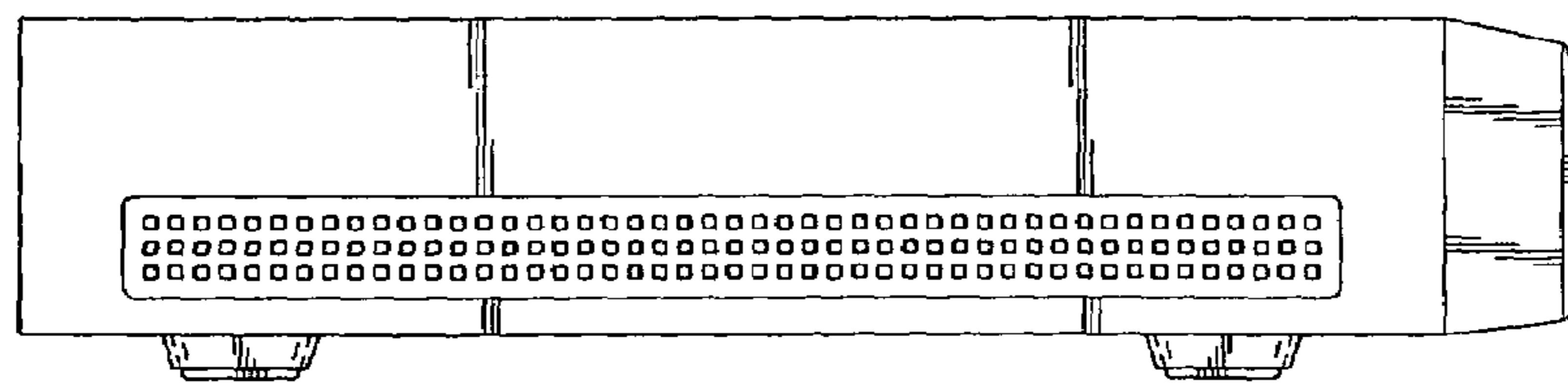


FIG. 4

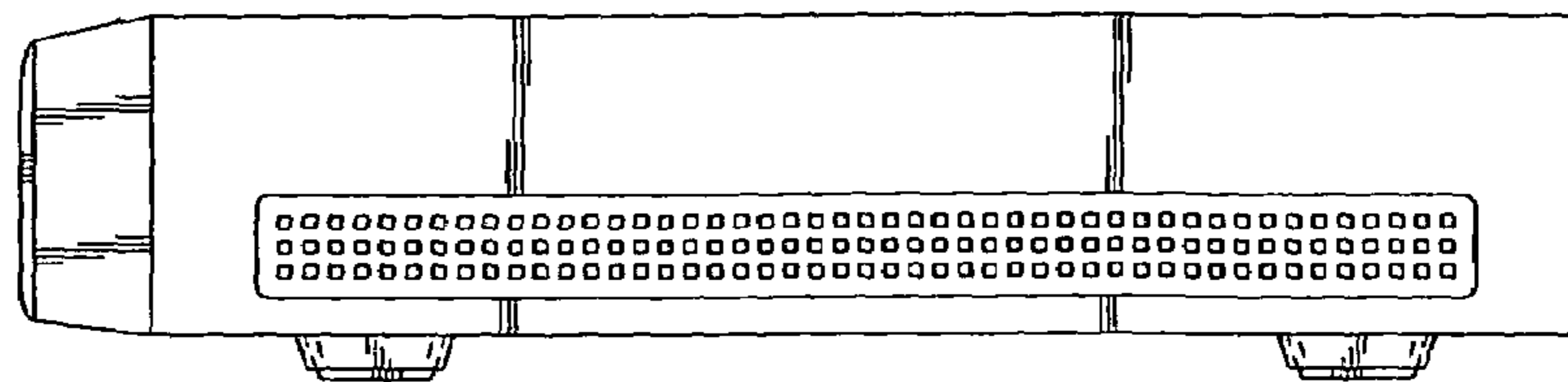


FIG. 5

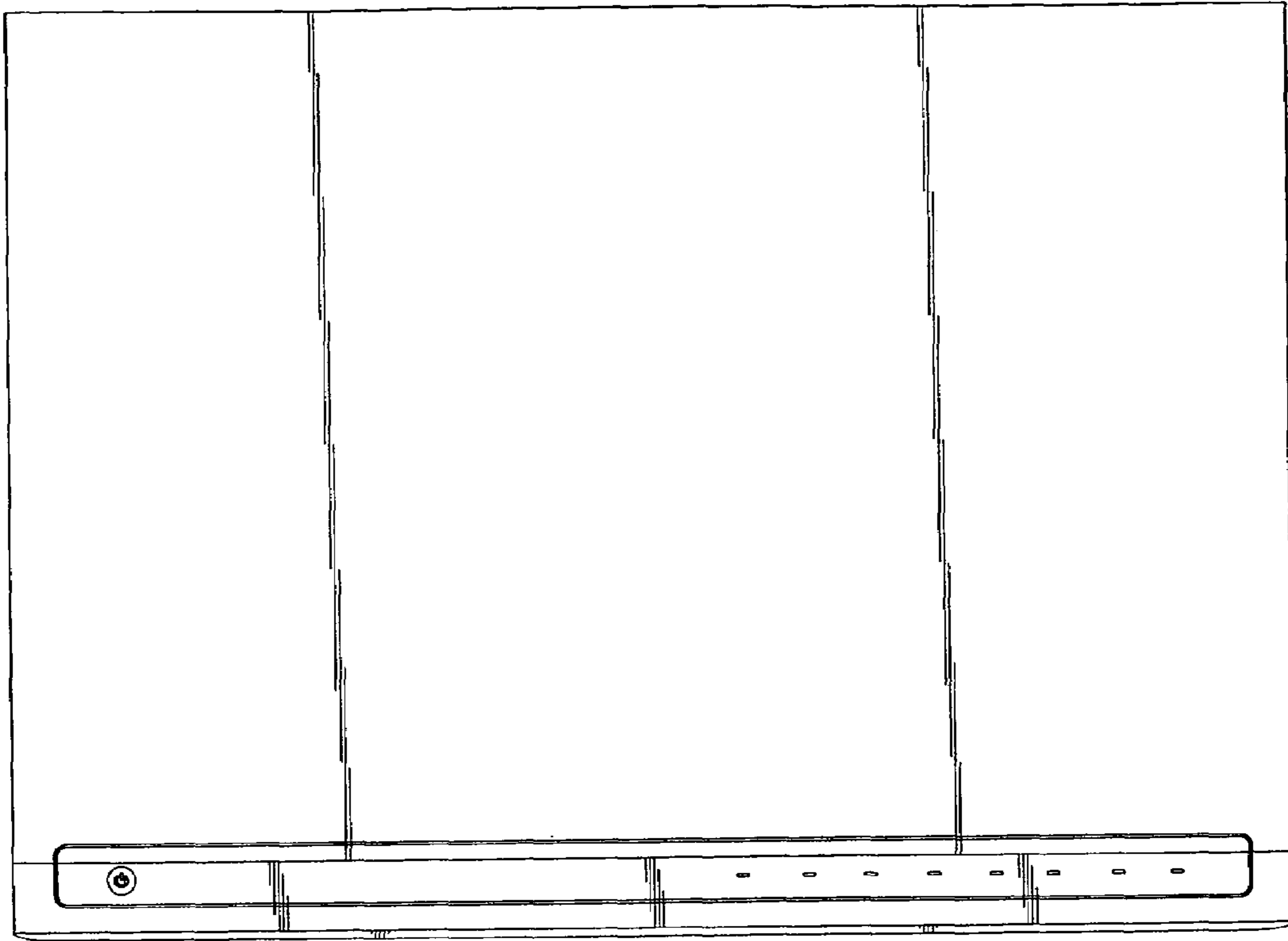


FIG. 6

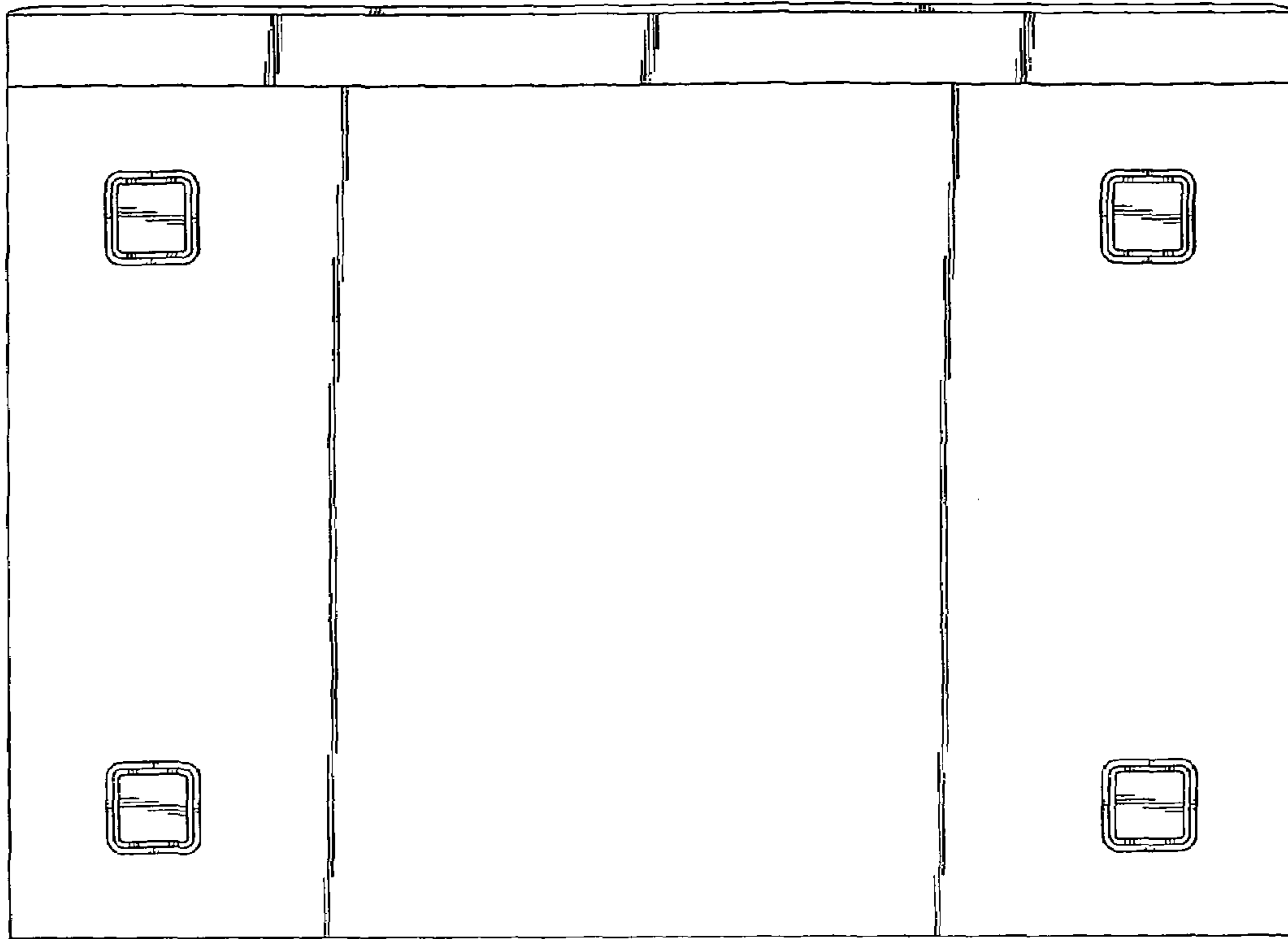


FIG. 7