

US00D596147S

(12) **United States Design Patent**  
**Park et al.**

(10) **Patent No.:** **US D596,147 S**

(45) **Date of Patent:** **\*\* Jul. 14, 2009**

(54) **LIGHT EMITTING DIODE**

(75) Inventors: **Ik-Seong Park**, Seoul (KR); **Sun-Hong Kim**, Incheon (KR); **Jin-Won Lee**, Yongin-si (KR); **Kyoung-il Park**, Osan-si (KR)

(73) Assignee: **Alti- Electronics Co., Ltd.**, Yongin-si (KR)

(\*\*) Term: **14 Years**

(21) Appl. No.: **29/309,451**

(22) Filed: **Aug. 19, 2008**

(30) **Foreign Application Priority Data**

Feb. 22, 2008 (KR) ..... 30-2008-0007704

(51) **LOC (9) Cl.** ..... **13-03**

(52) **U.S. Cl.** ..... **D13/180**

(58) **Field of Classification Search** ..... D13/180;  
D26/2; 257/79, 80, 81, 88, 89, 95, 98, 99,  
257/100; 313/483, 498, 500; 362/555, 800  
See application file for complete search history.

(56) **References Cited**

**U.S. PATENT DOCUMENTS**

D495,668 S \* 9/2004 Kim et al. .... D13/180

D531,141 S \* 10/2006 Tzeng ..... D13/180  
D572,211 S \* 7/2008 Kim et al. .... D13/180  
2006/0193121 A1 \* 8/2006 Kamoshita ..... 362/84  
2007/0001187 A1 \* 1/2007 Kim ..... 257/98

\* cited by examiner

*Primary Examiner*—Selina Sikder

(74) *Attorney, Agent, or Firm*—The Nath Law Group; Jerald L. Meyer; Derek Richmond

(57) **CLAIM**

The ornamental design for a light emitting diode, as shown and described herein.

**DESCRIPTION**

FIG. 1 is a perspective view of a light emitting diode showing our new design;

FIG. 2 is a front elevational view thereof;

FIG. 3 is a rear elevational view thereof;

FIG. 4 is a left side elevational view thereof;

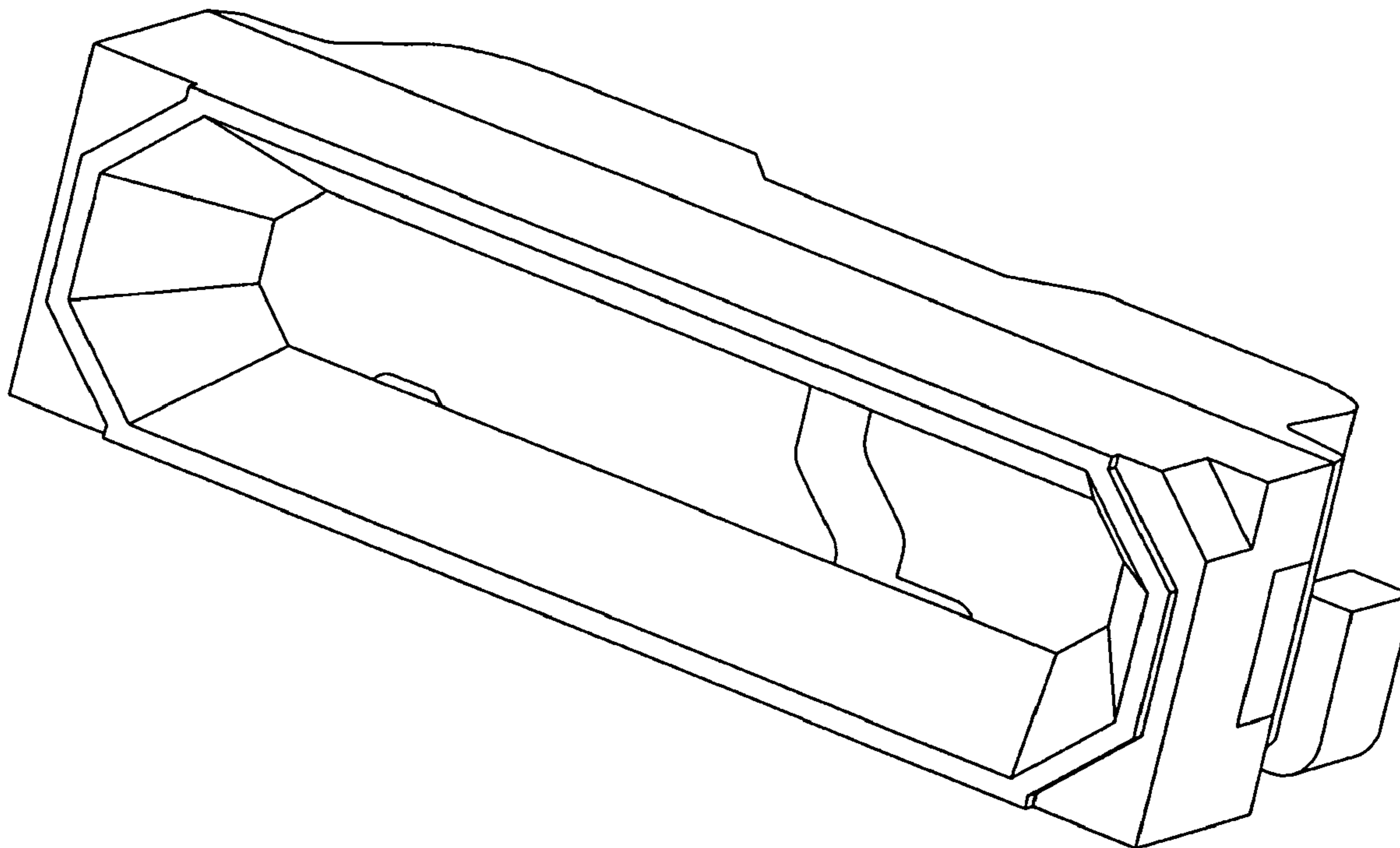
FIG. 5 is a right side elevational view thereof;

FIG. 6 is a top plan view thereof;

FIG. 7 is a bottom plan view thereof; and,

FIG. 8 is a rear bottom perspective view thereof.

**1 Claim, 8 Drawing Sheets**



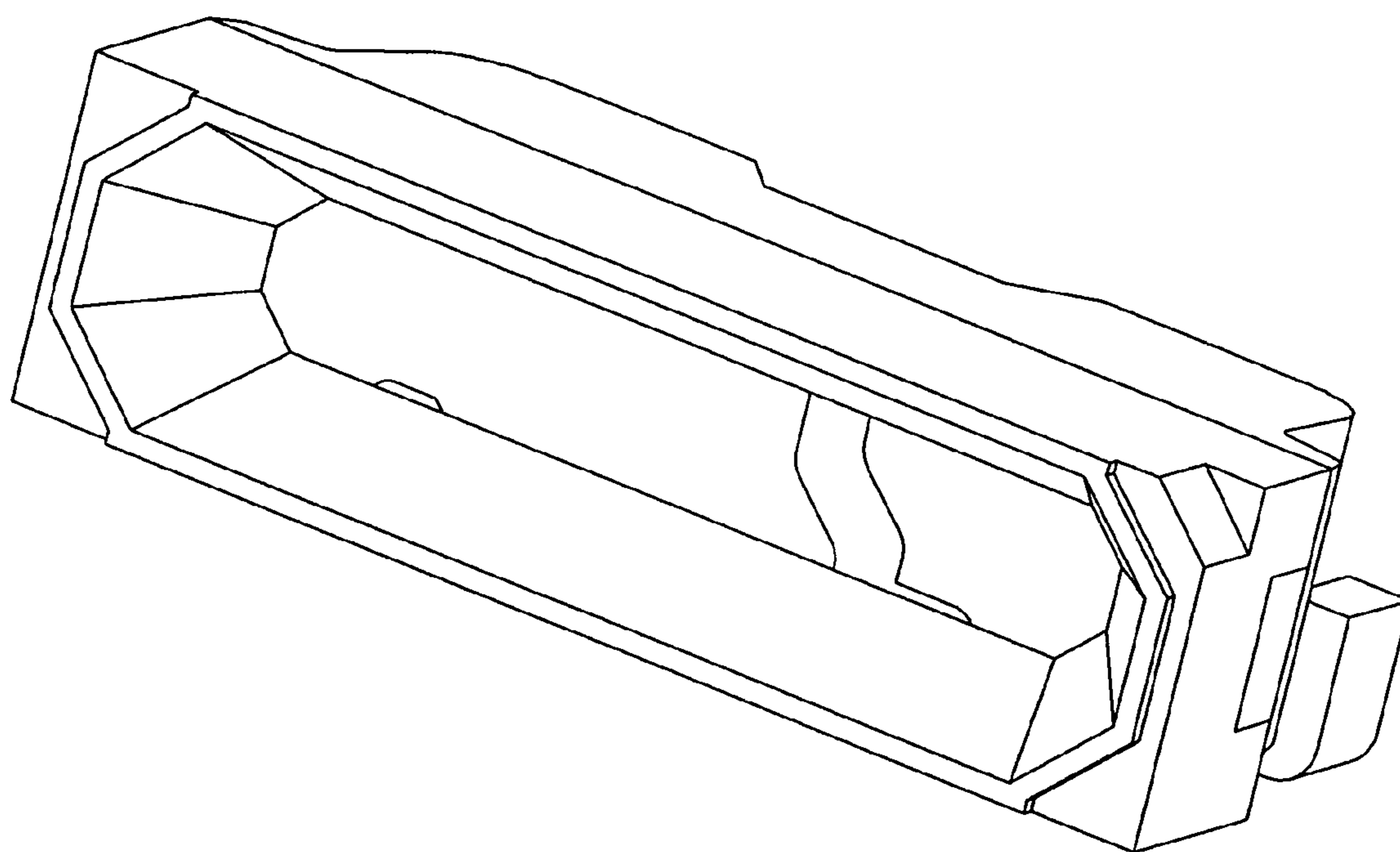


FIG. 1

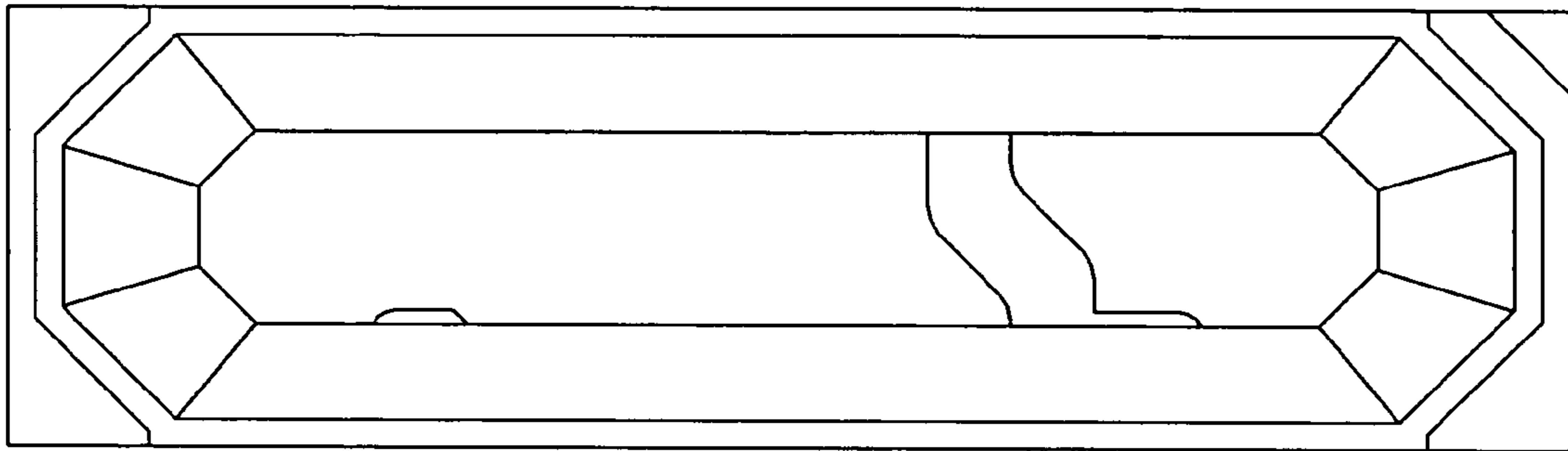


FIG. 2

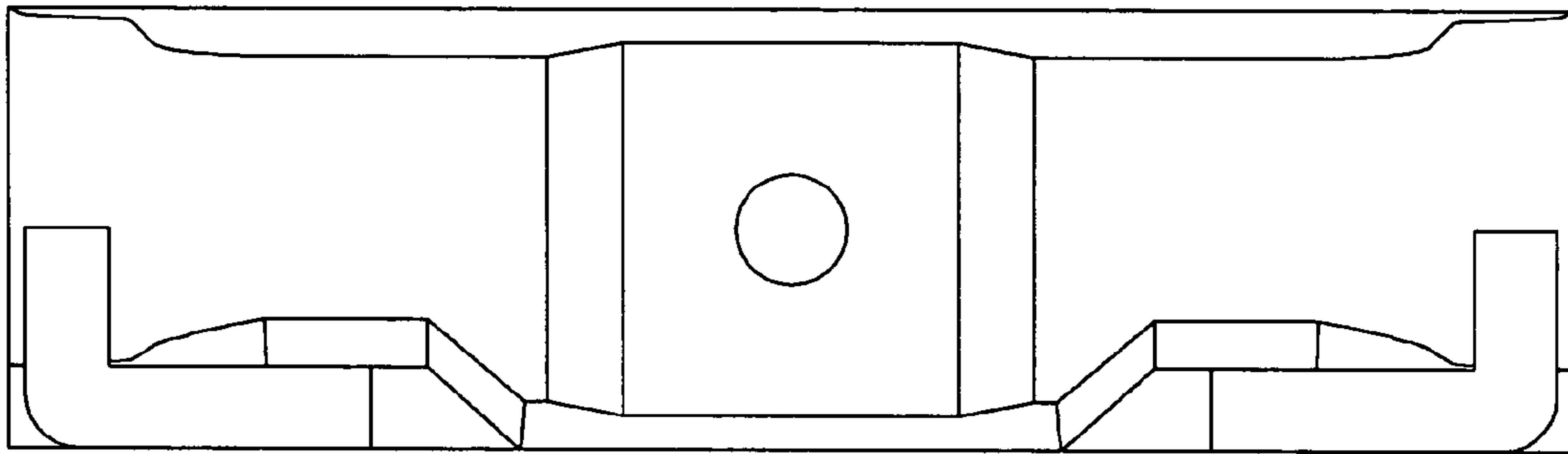


FIG. 3

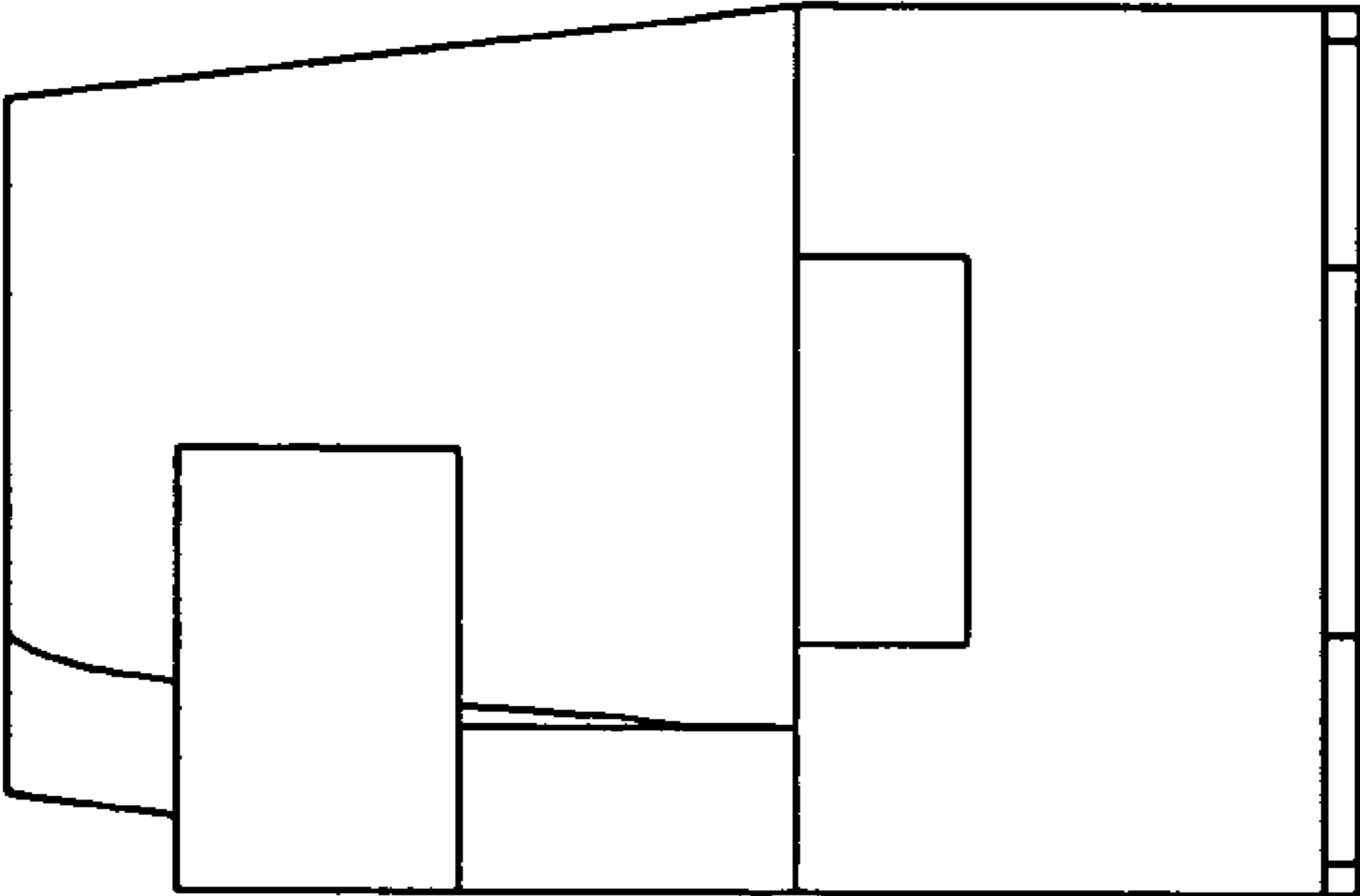


FIG. 4

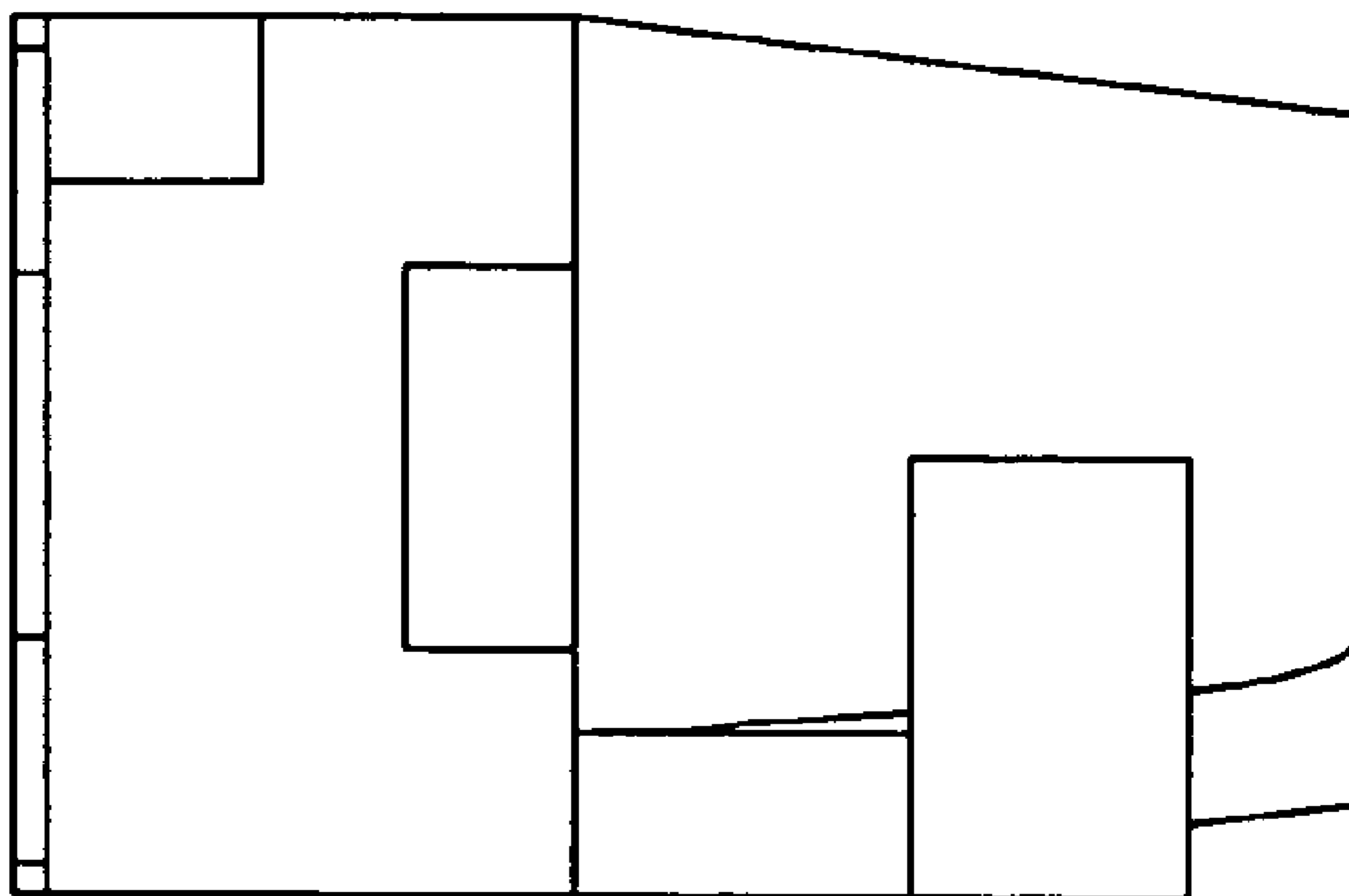


FIG. 5

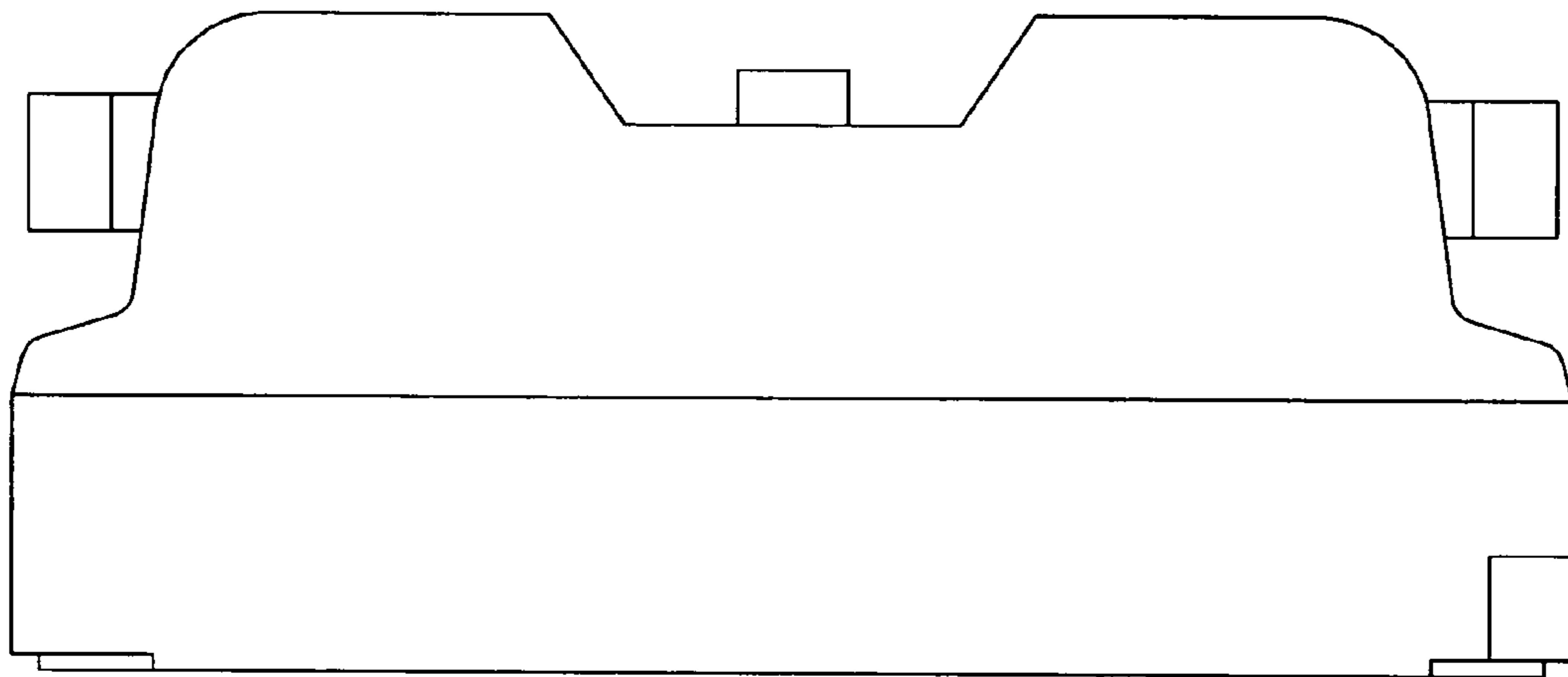


FIG. 6

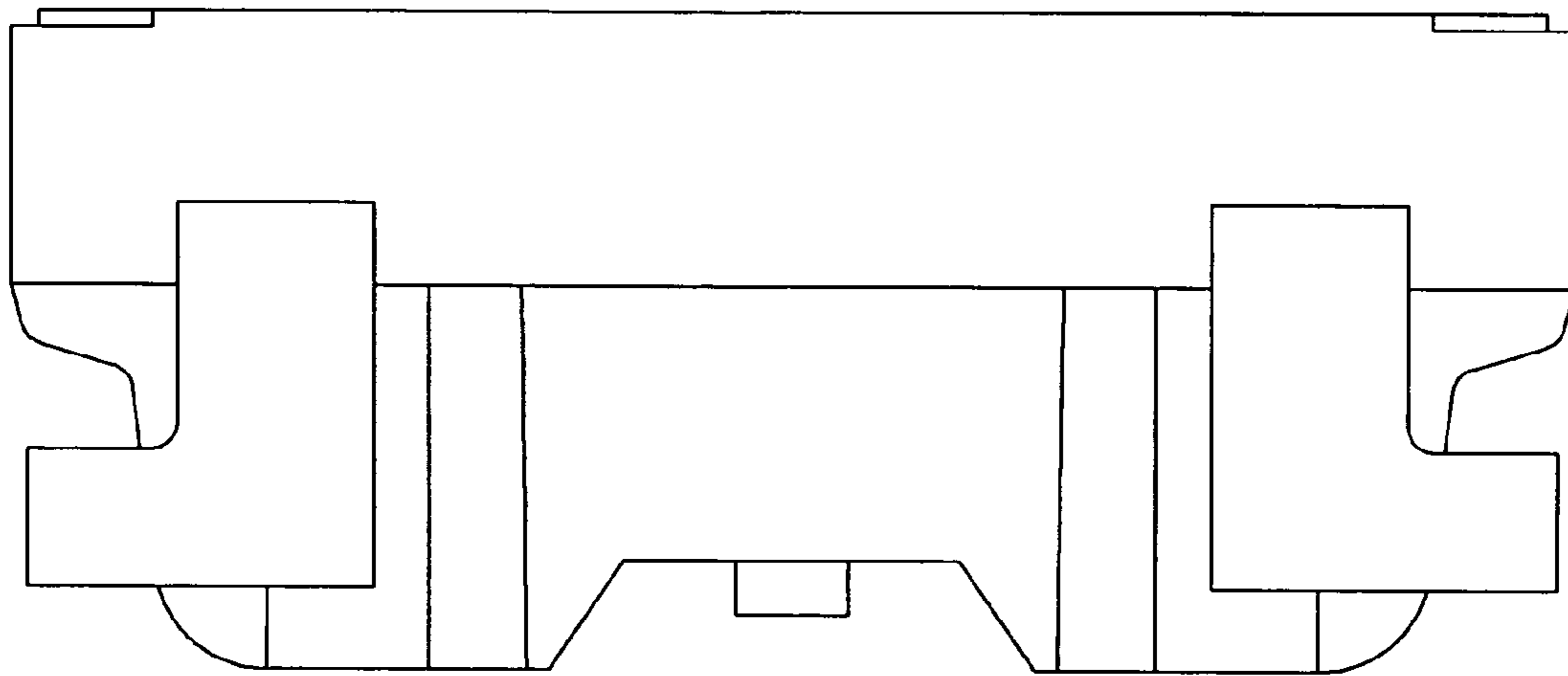


FIG. 7



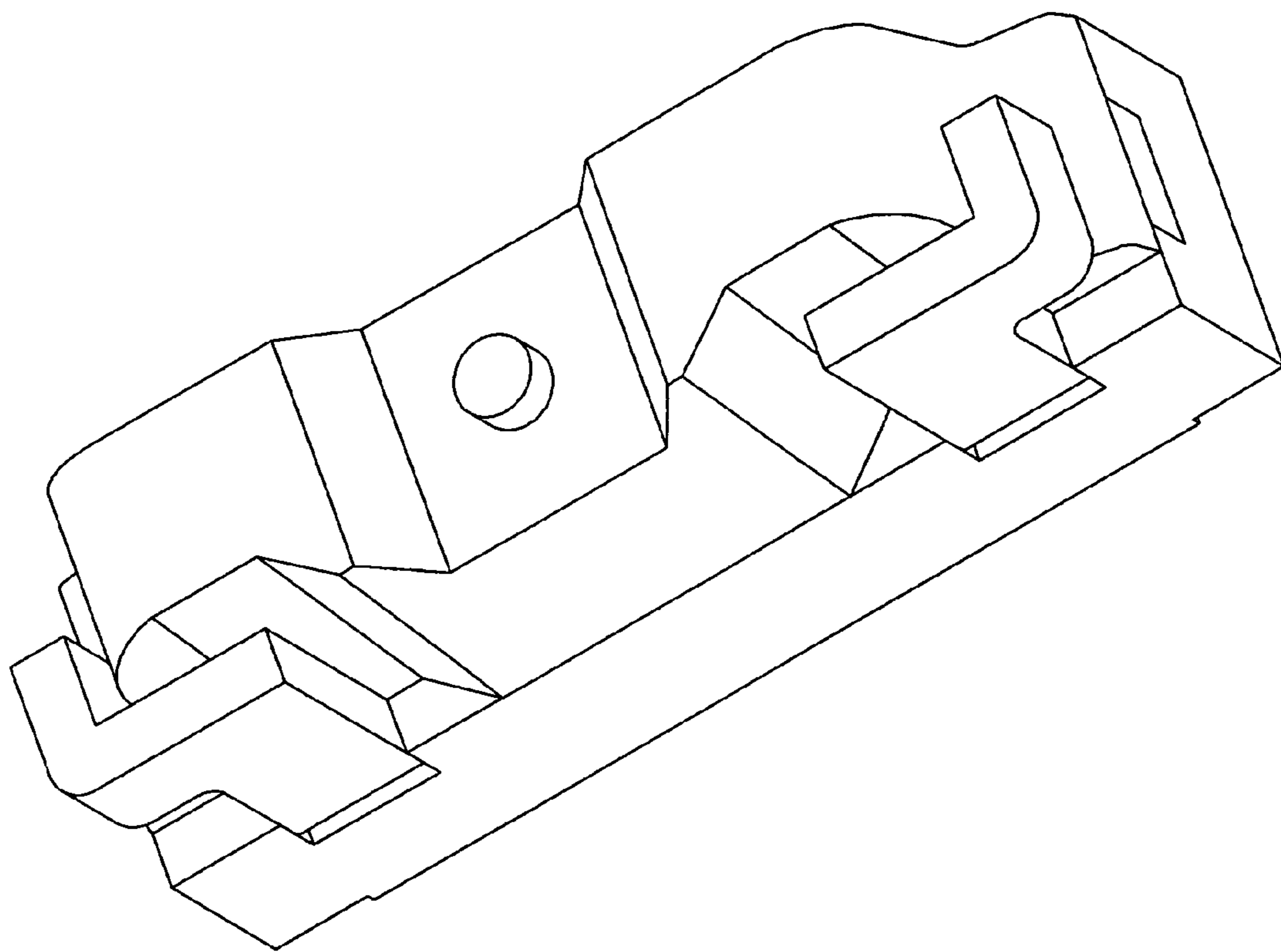


FIG. 8