



US00D596144S

(12) **United States Design Patent**  
**Zheng**

(10) **Patent No.:** **US D596,144 S**  
(45) **Date of Patent:** **\*\* Jul. 14, 2009**

(54) **KEYED EMERGENCY STOP COVER**

**DESCRIPTION**

- (75) Inventor: **Chun Kai Zheng**, Yueqing (CN)
- (73) Assignee: **Zhejiang Kedu Electric Manufacturing Co., Ltd**, Yueqing (CN)
- (\*\*) Term: **14 Years**
- (21) Appl. No.: **29/318,169**
- (22) Filed: **May 15, 2008**
- (51) **LOC (9) Cl.** ..... **13-03**
- (52) **U.S. Cl.** ..... **D13/171**
- (58) **Field of Classification Search** ..... D13/158,  
D13/171, 173, 174; 200/51 LM, 334, 538;  
318/445, 563; 361/170  
See application file for complete search history.

(56) **References Cited**

**U.S. PATENT DOCUMENTS**

6,272,001 B1 *	8/2001	Futsuhara	.....	361/170
6,987,230 B2 *	1/2006	Hansen	.....	200/47
D537,797 S *	3/2007	Yanai et al.	.....	D13/171
D561,705 S *	2/2008	Tsudoku	.....	D13/171

\* cited by examiner

*Primary Examiner*—Antoine D Davis

(74) *Attorney, Agent, or Firm*—Brian D. Smith, P.C.

(57) **CLAIM**

The ornamental design for the keyed emergency stop cover, as shown and described.

FIG. 1 is a perspective view of a keyed emergency stop cover, showing my new design;

FIG. 2 is a front view of the design of FIG. 1;

FIG. 3 is a rear view of the design of FIG. 1;

FIG. 4 is a left side elevational view of the design of FIG. 1;

FIG. 5 is a right side elevational view of the design of FIG. 1;

FIG. 6 is a top plan view of the design of FIG. 1;

FIG. 7 is a perspective view of a keyed emergency stop cover, showing my second new design;

FIG. 8 is a front view of the design of FIG. 7;

FIG. 9 is a rear view of the design of FIG. 7;

FIG. 10 is a left side elevational view of the design of FIG. 7;

FIG. 11 is a right side elevational view of the design of FIG. 7;

FIG. 12 is a top plan view of the design of FIG. 7;

FIG. 13 is a perspective view of a keyed emergency stop cover, showing my third new design;

FIG. 14 is a front view of the design of FIG. 13;

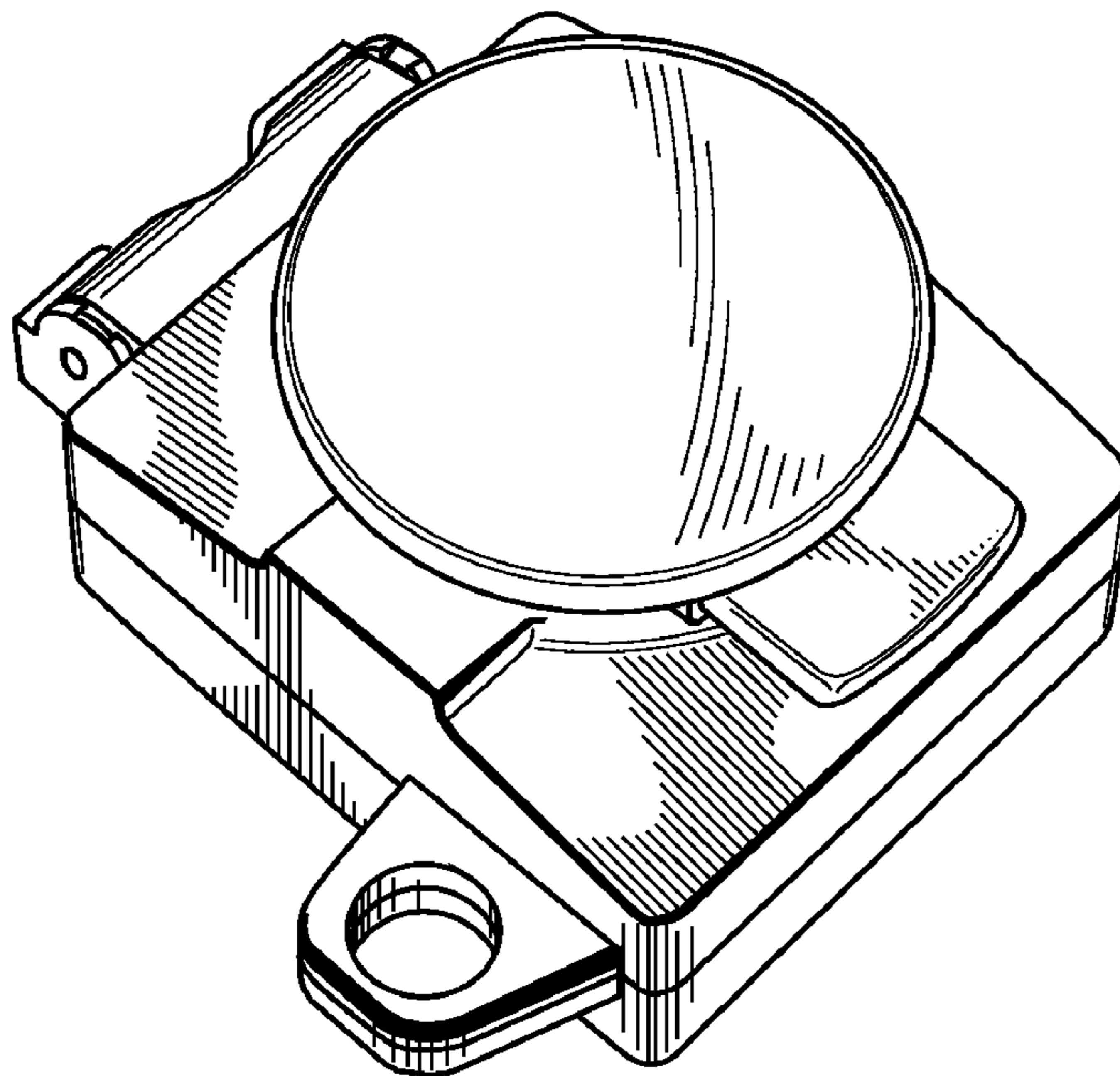
FIG. 15 is a rear view of the design of FIG. 13;

FIG. 16 is a left side elevational view of the design of FIG. 13;

FIG. 17 is a right side elevational view of the design of FIG. 13; and,

FIG. 18 is a top plan view of the design of FIG. 13.

**1 Claim, 6 Drawing Sheets**



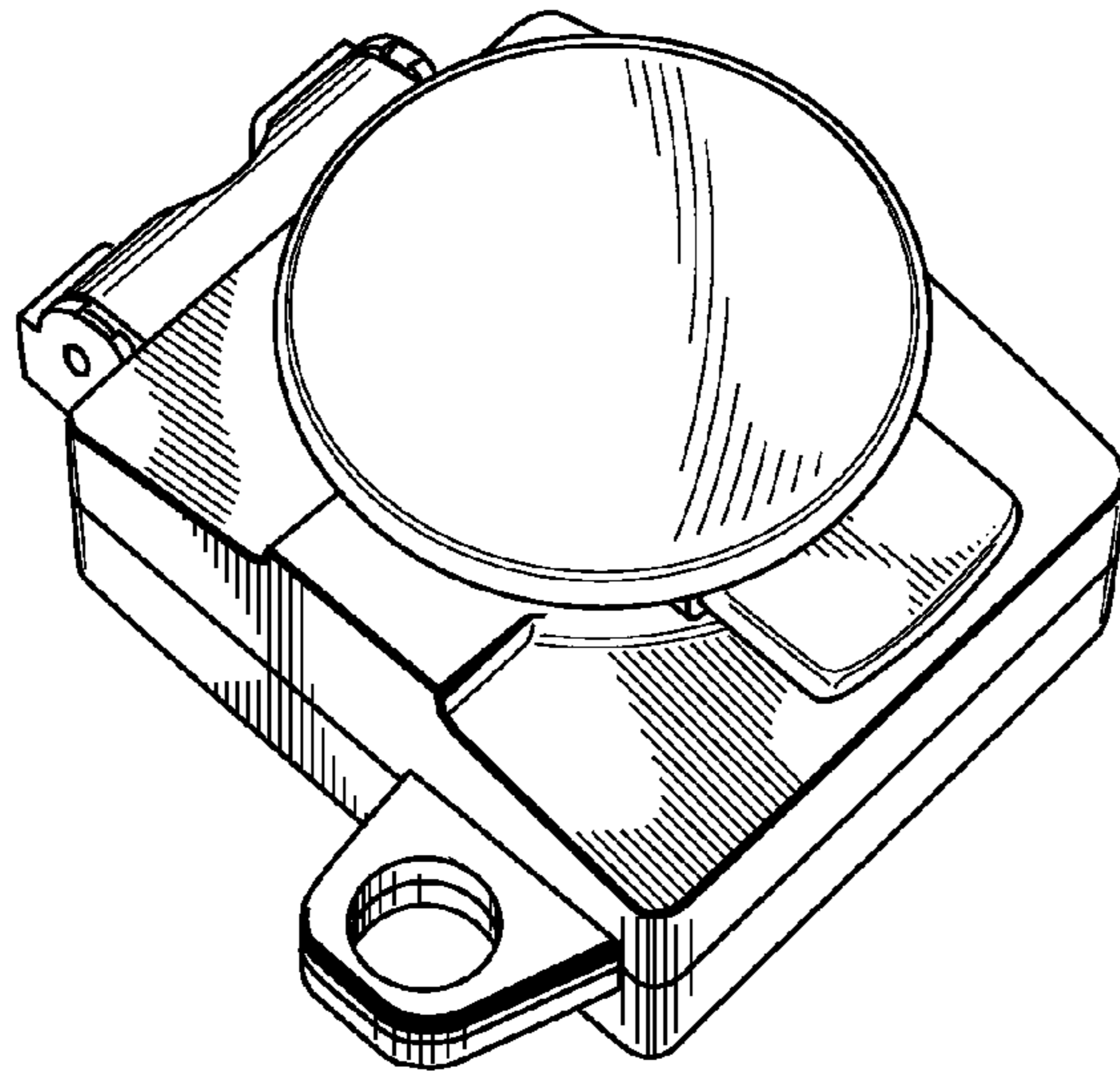


FIG. 1

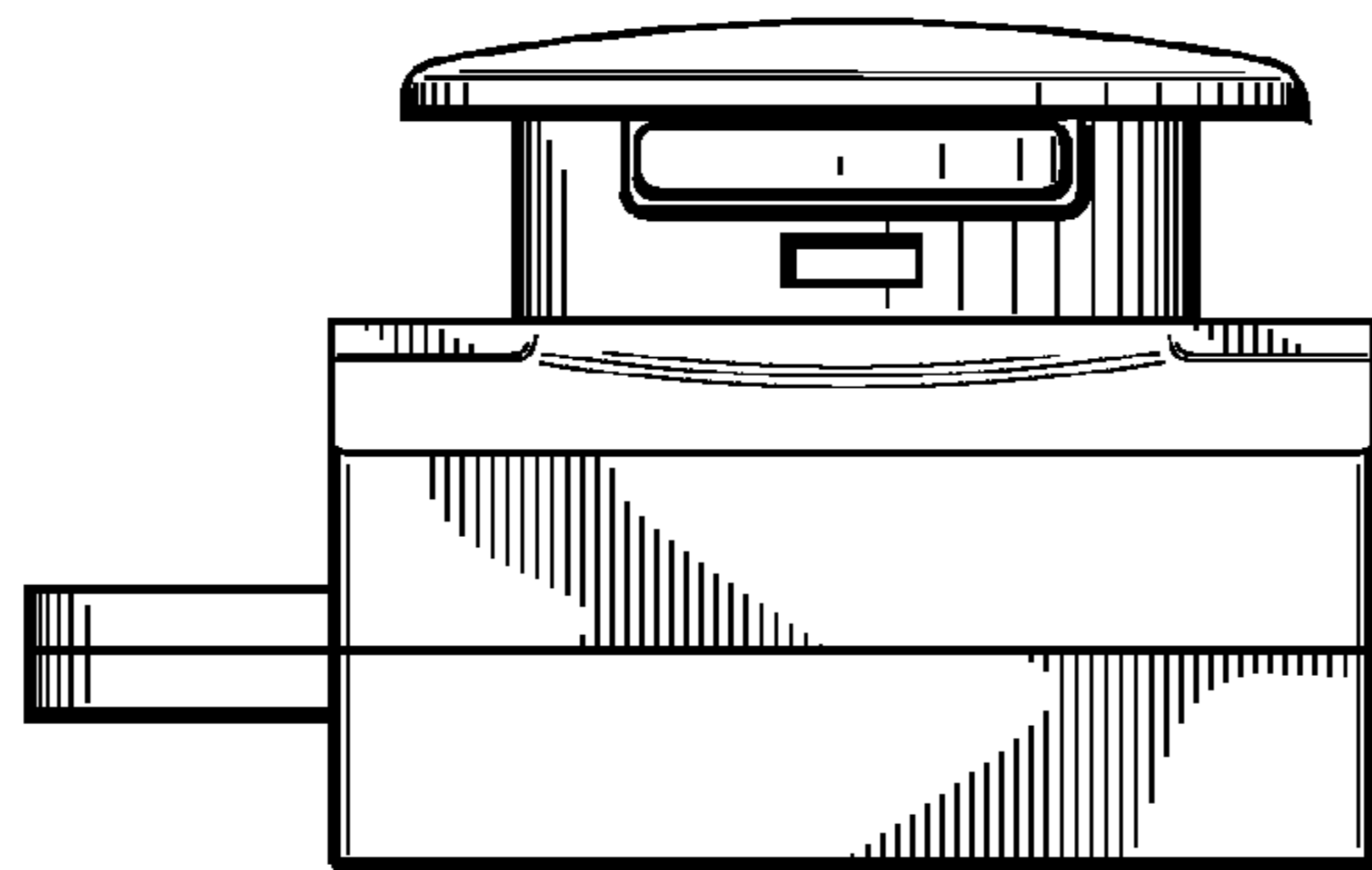


FIG. 2

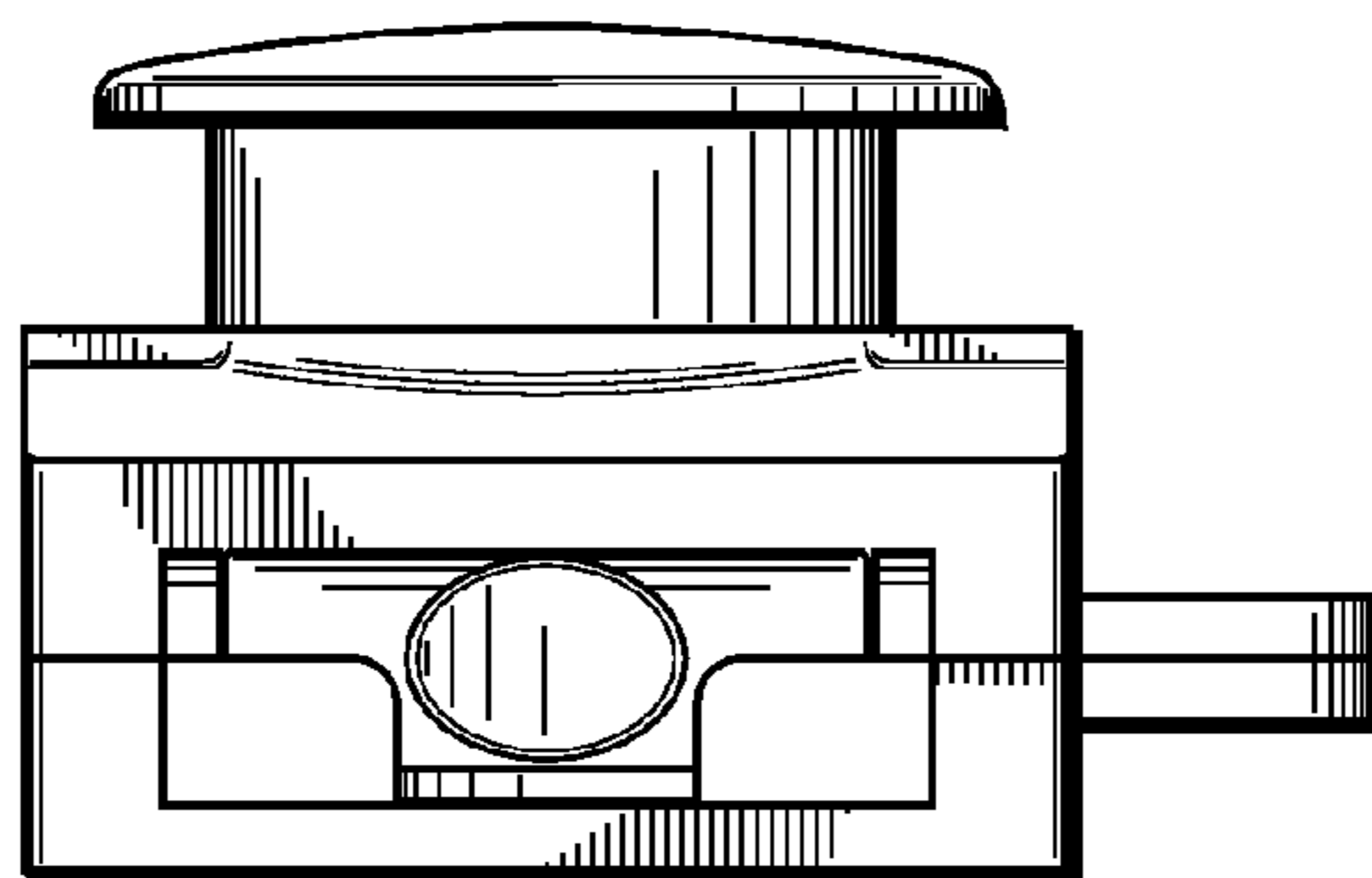
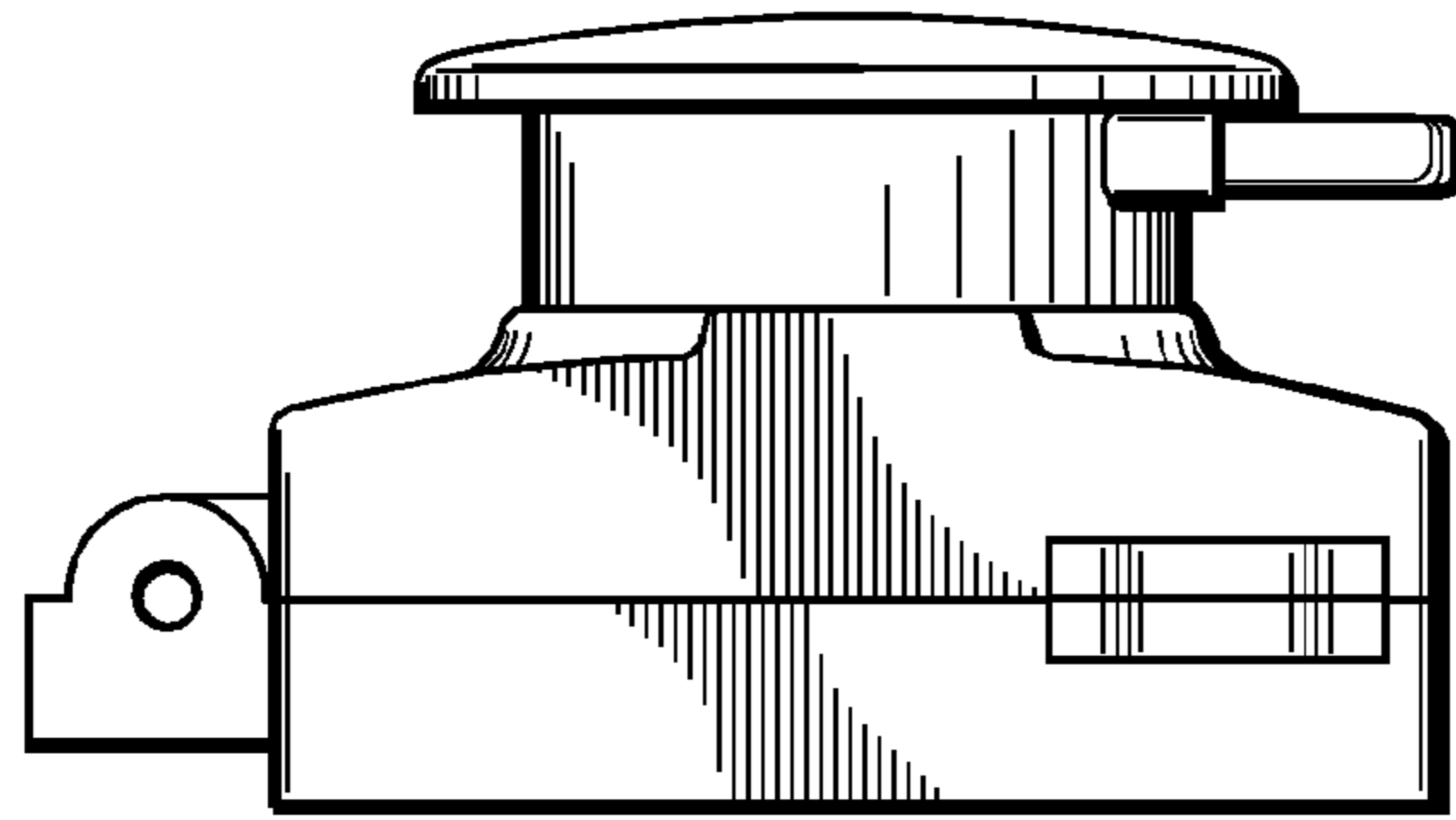
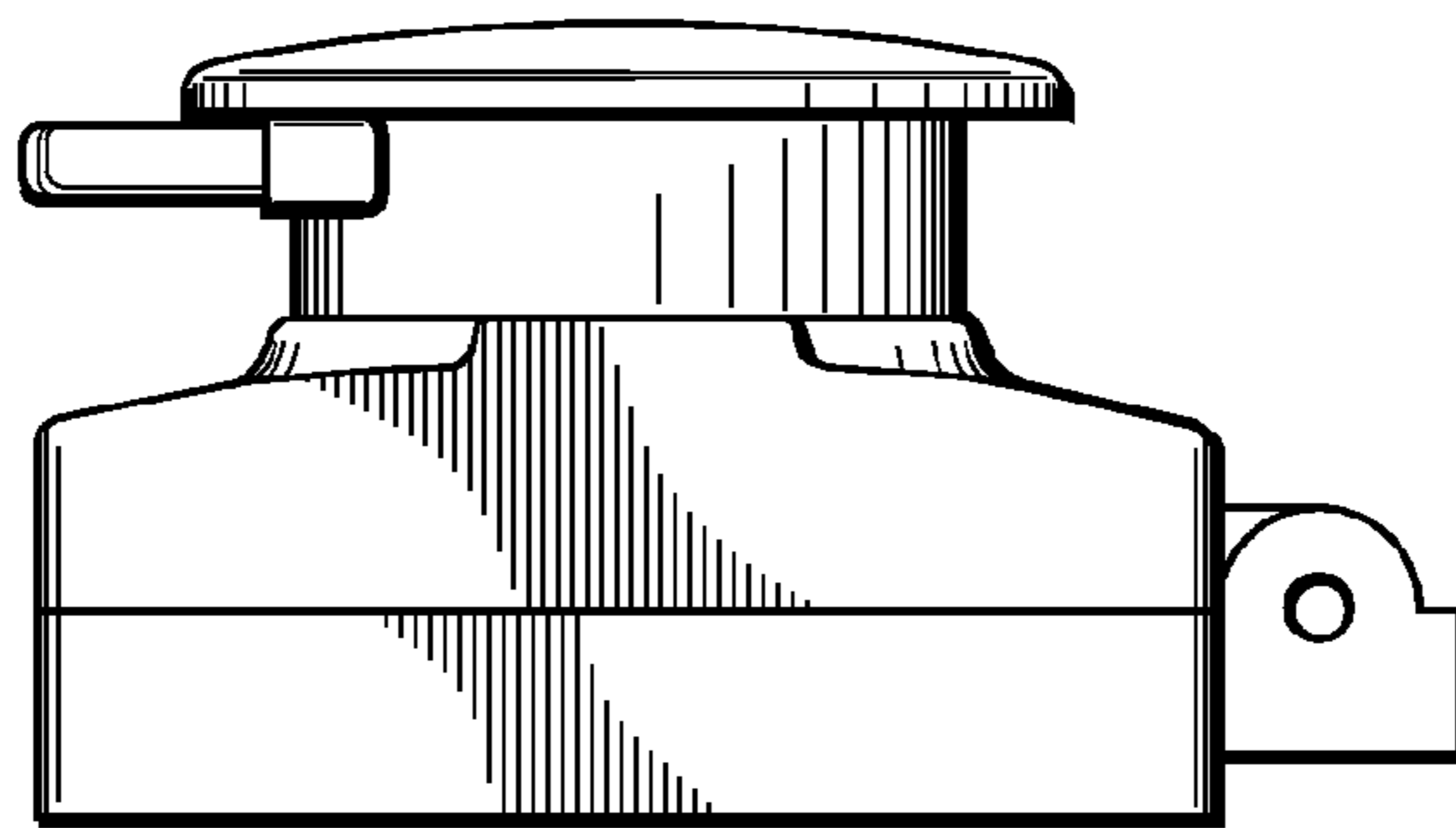


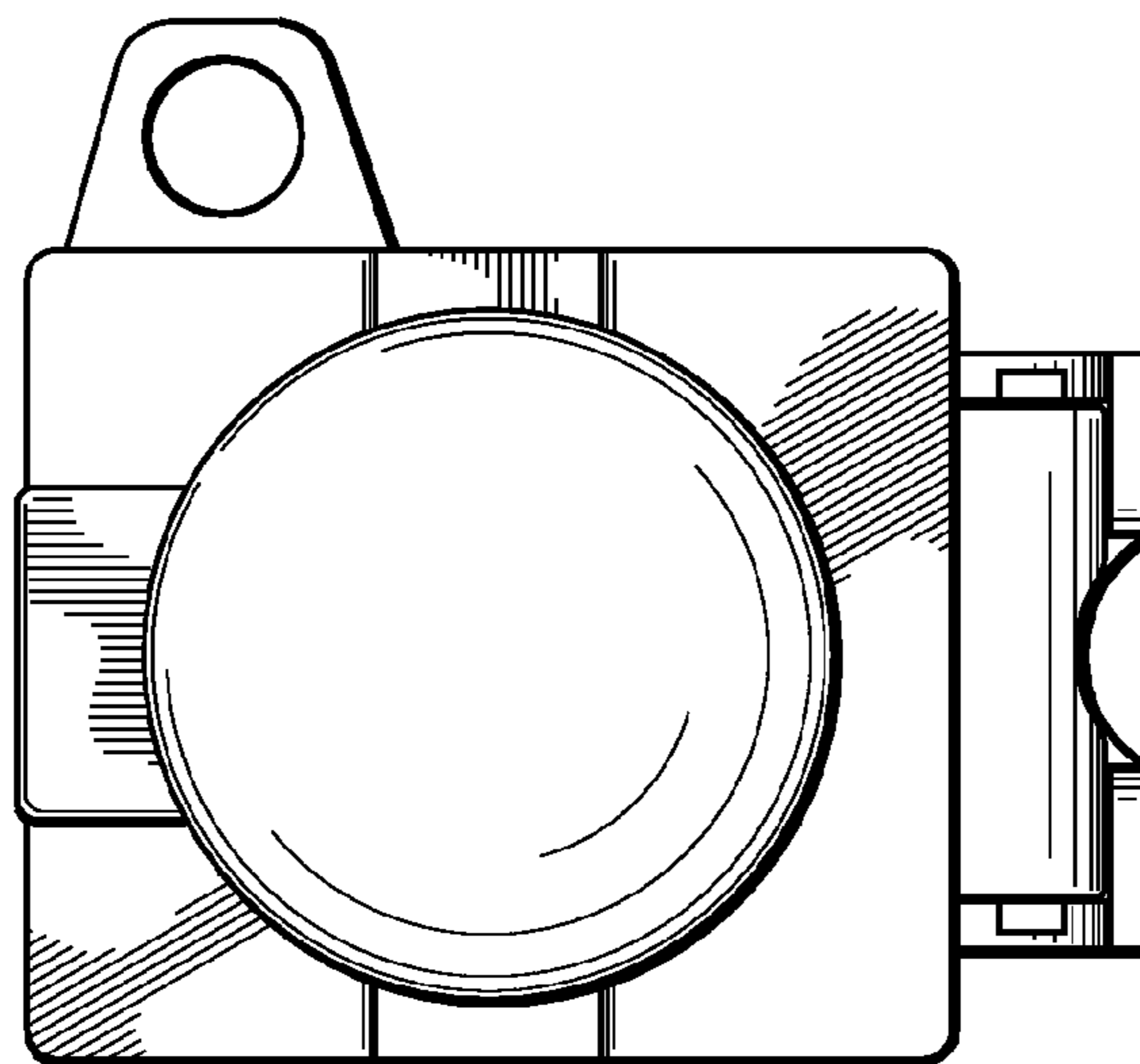
FIG. 3



*FIG. 4*



*FIG. 5*



*FIG. 6*

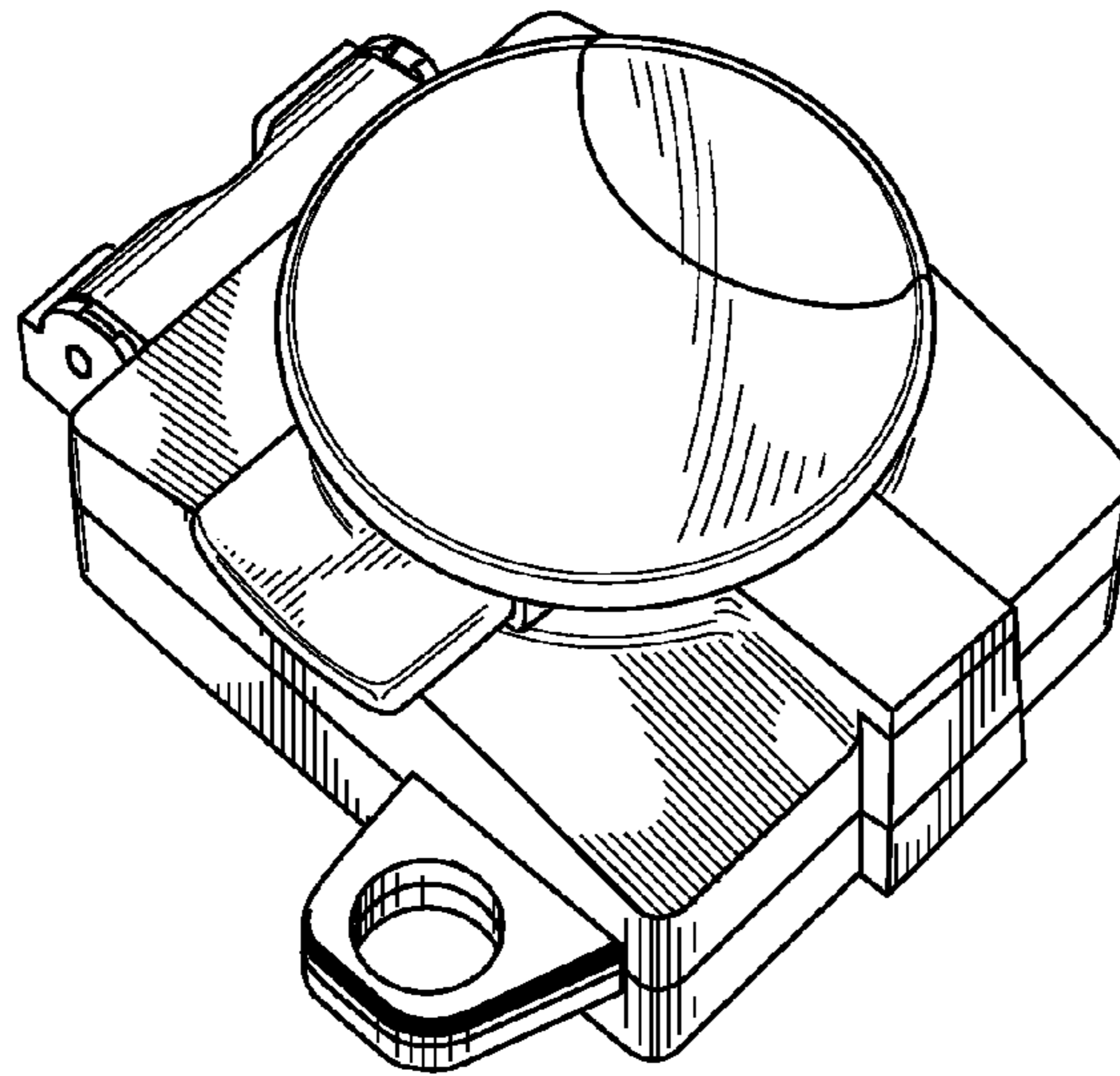


FIG. 7

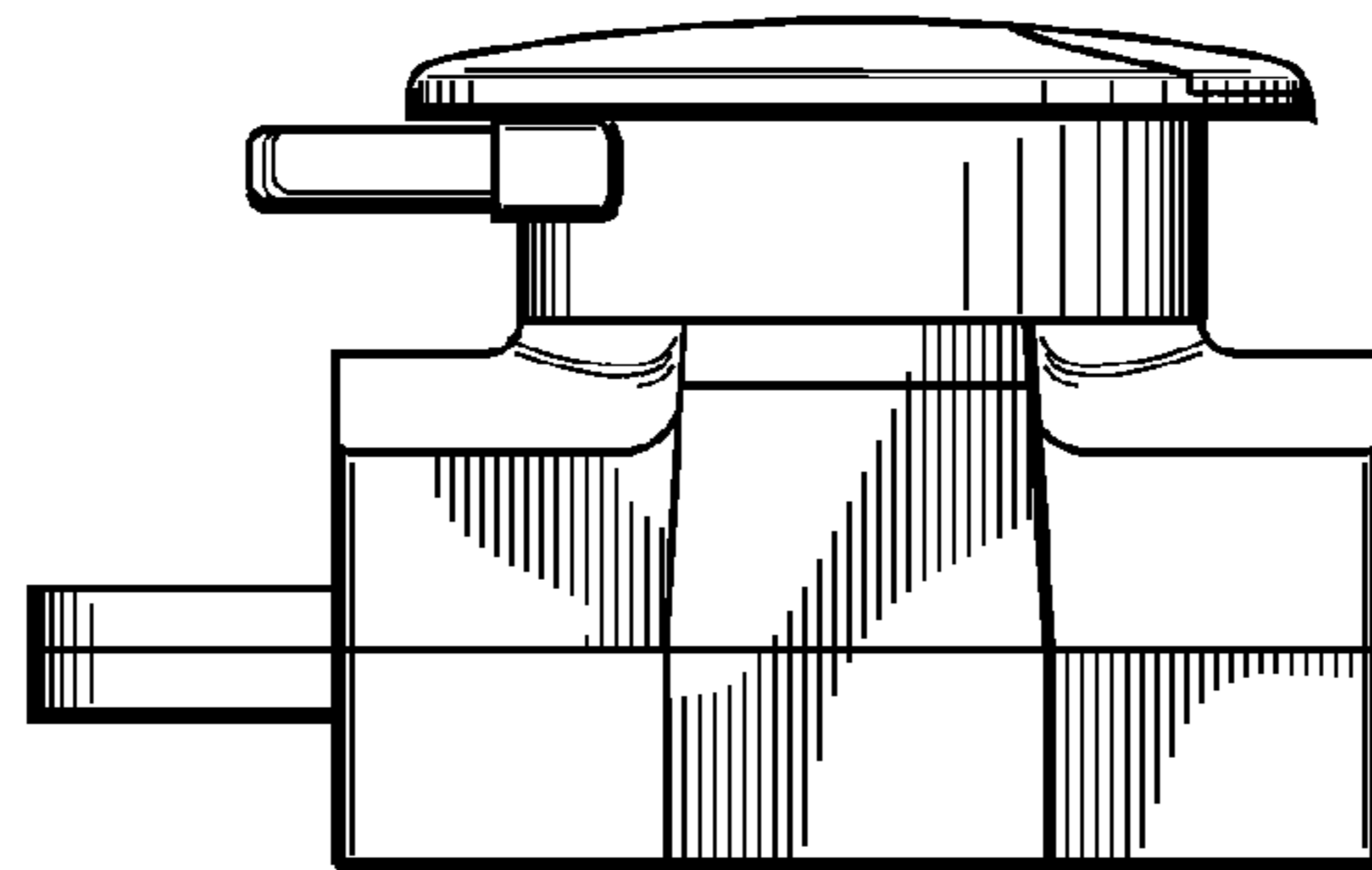


FIG. 8

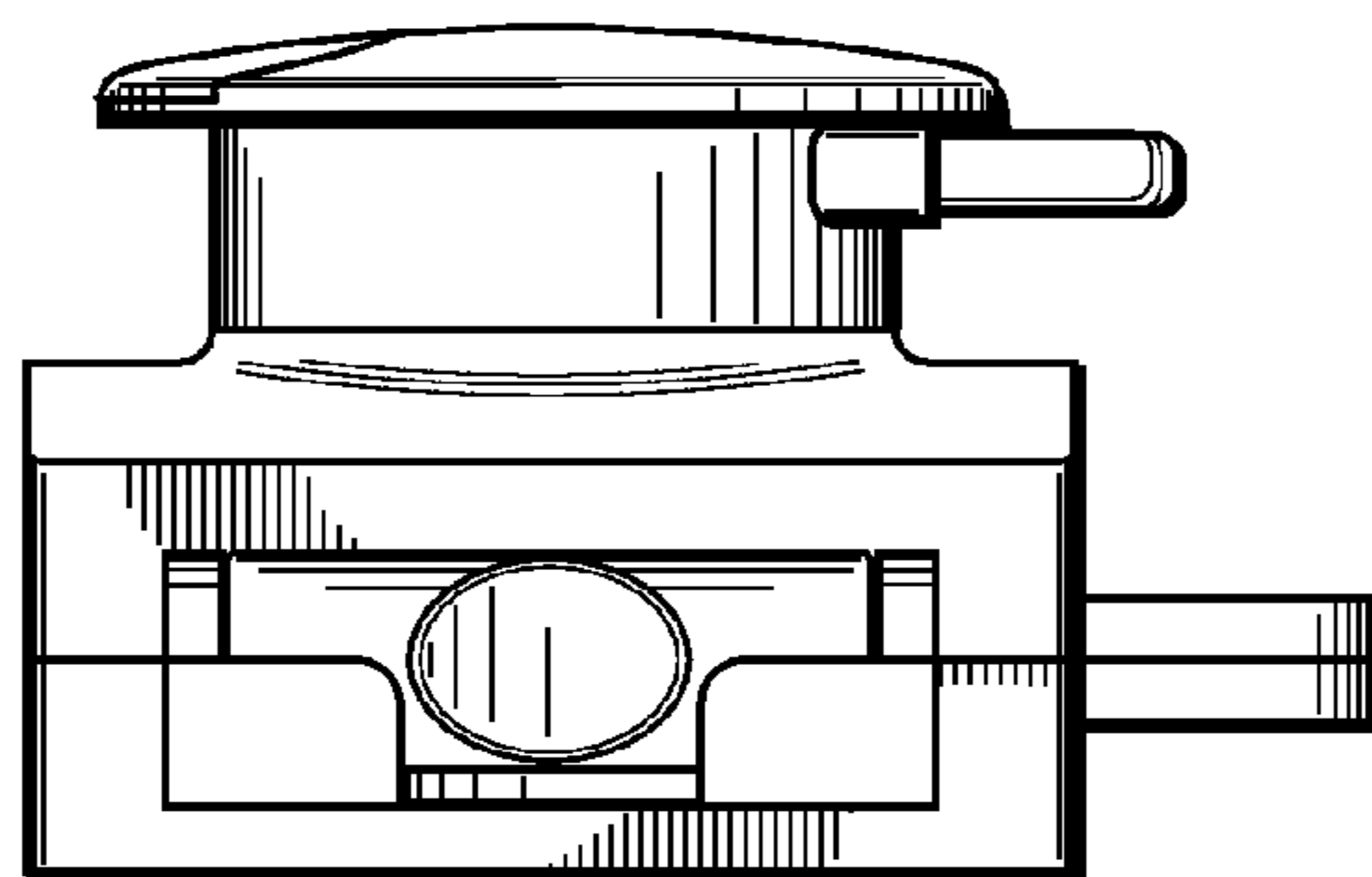
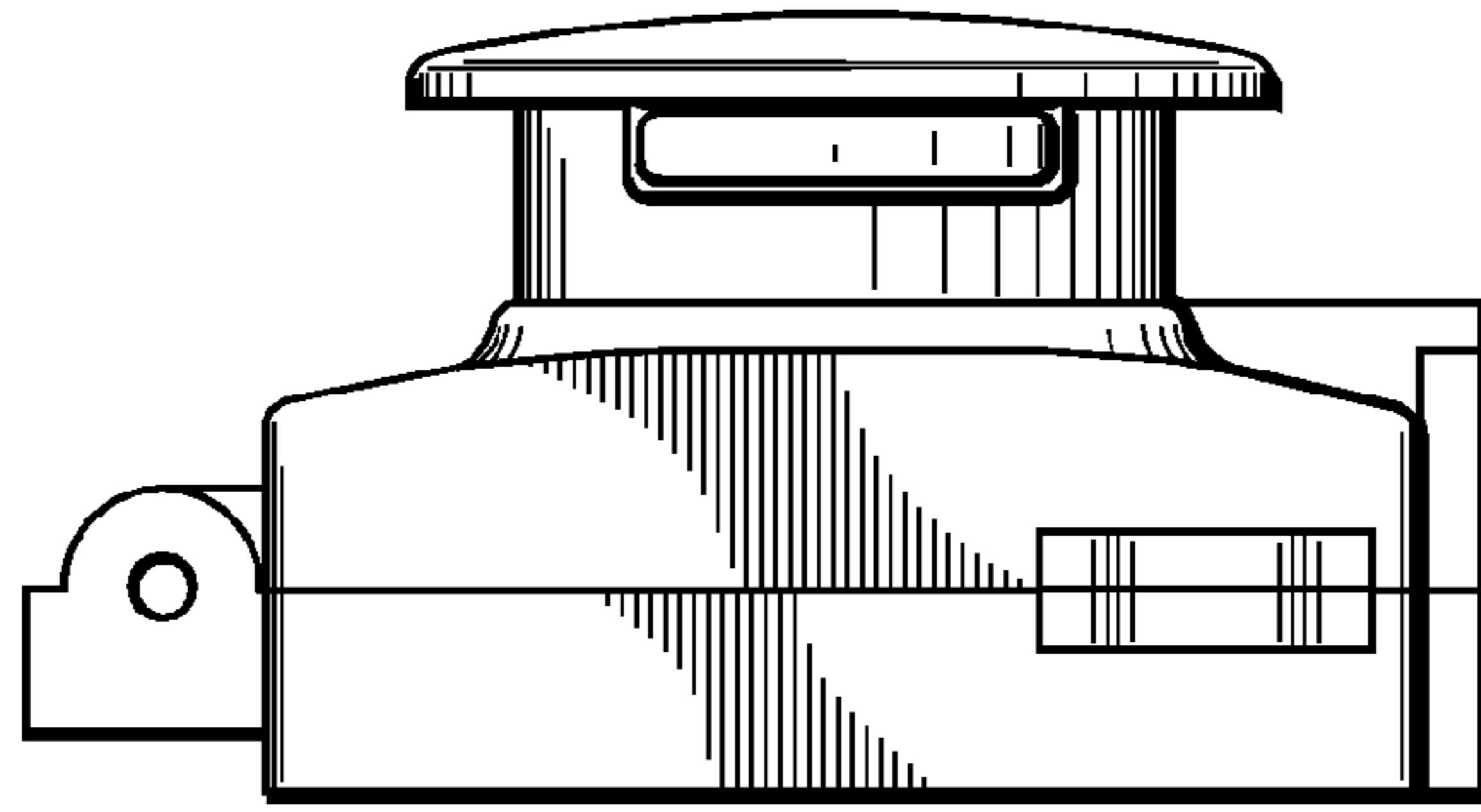
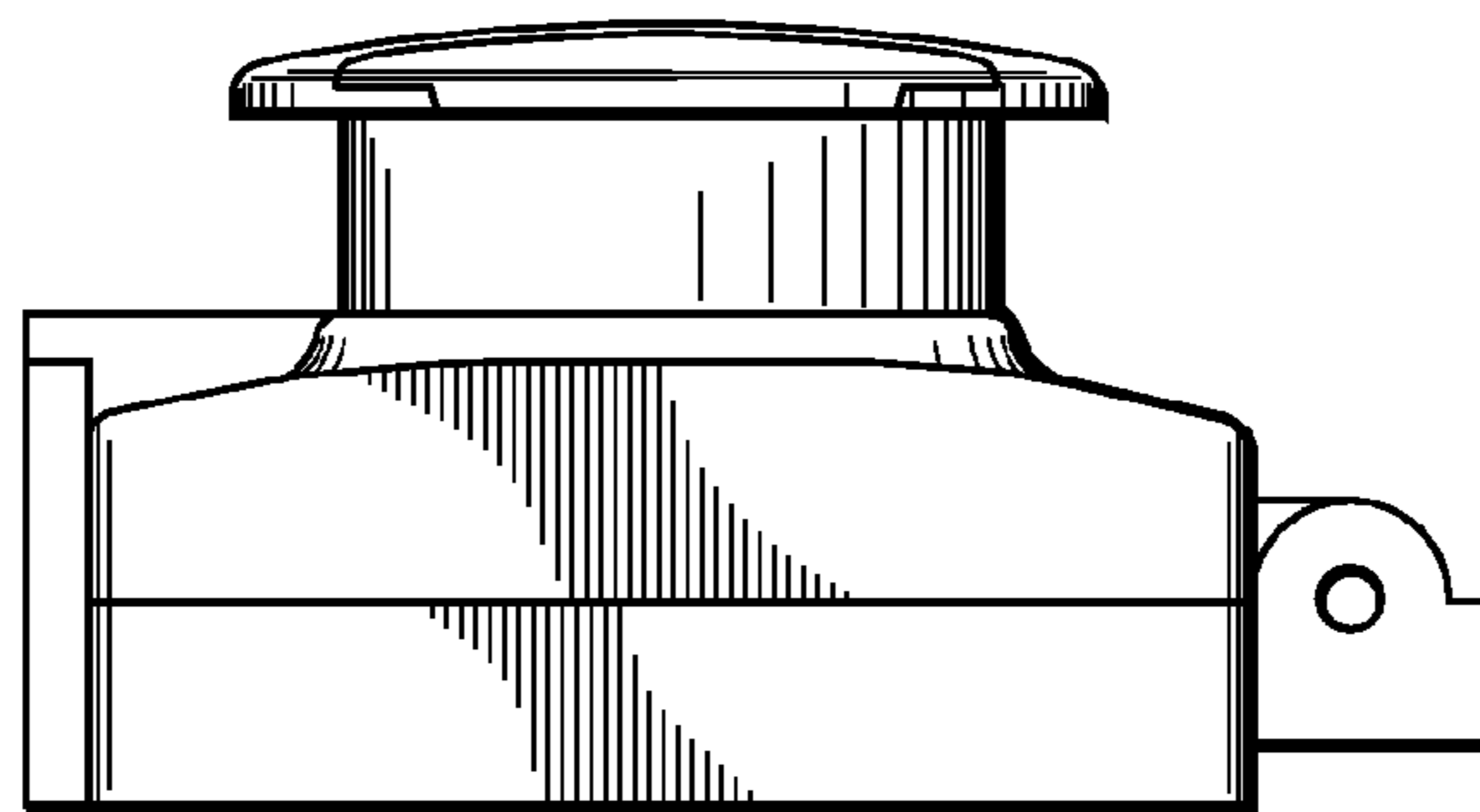


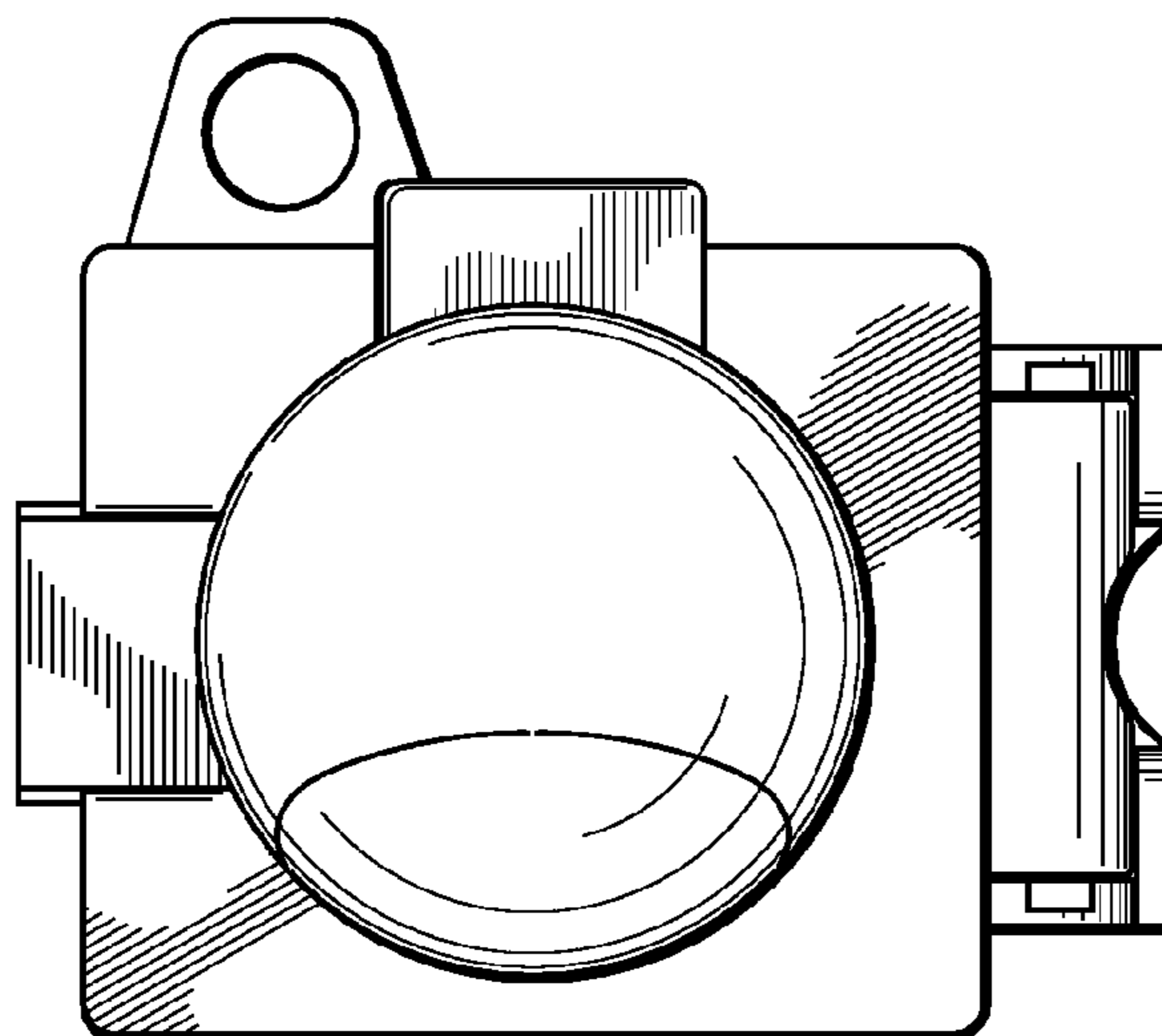
FIG. 9



*FIG. 10*



*FIG. 11*



*FIG. 12*

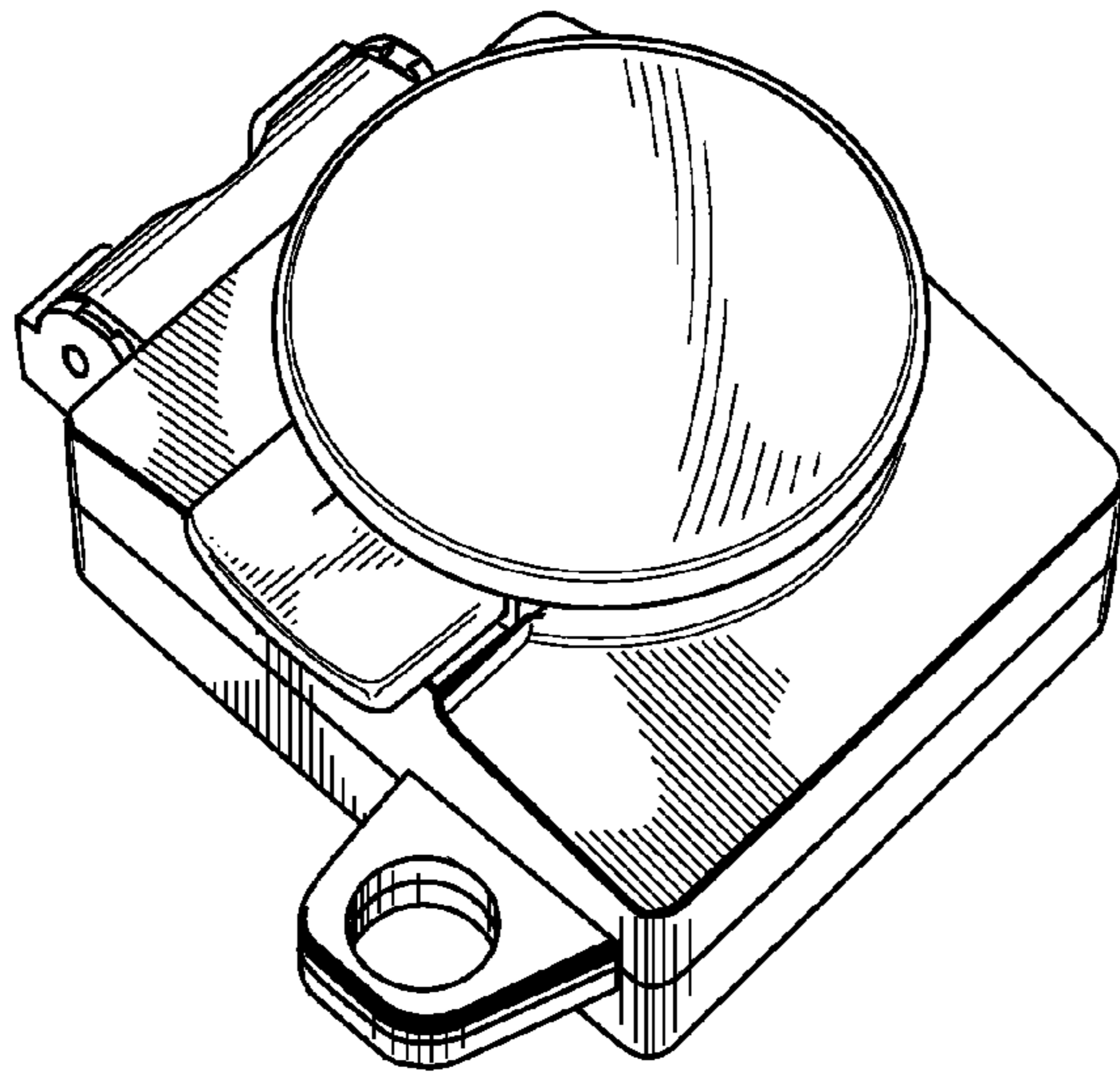


FIG. 13

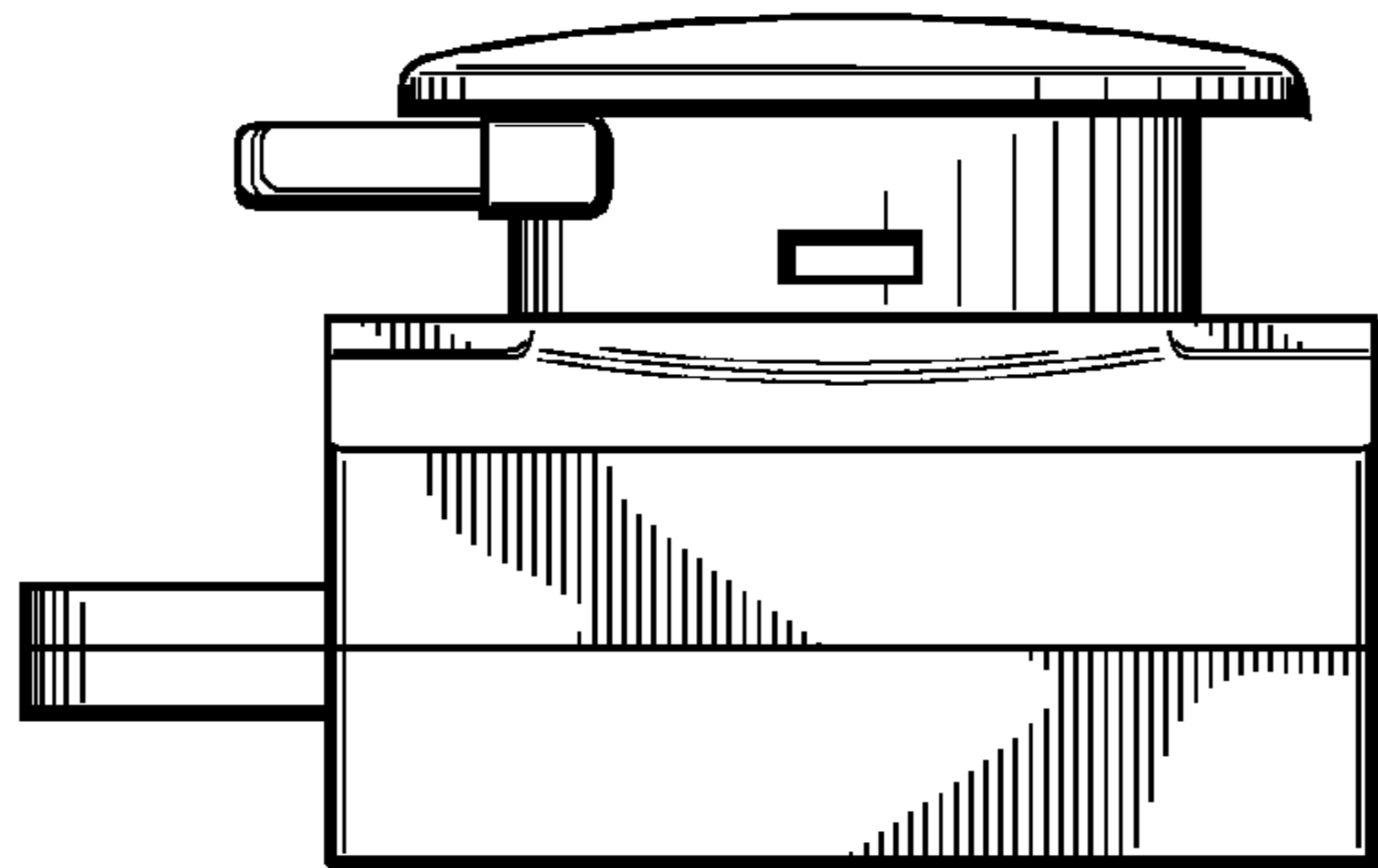


FIG. 14

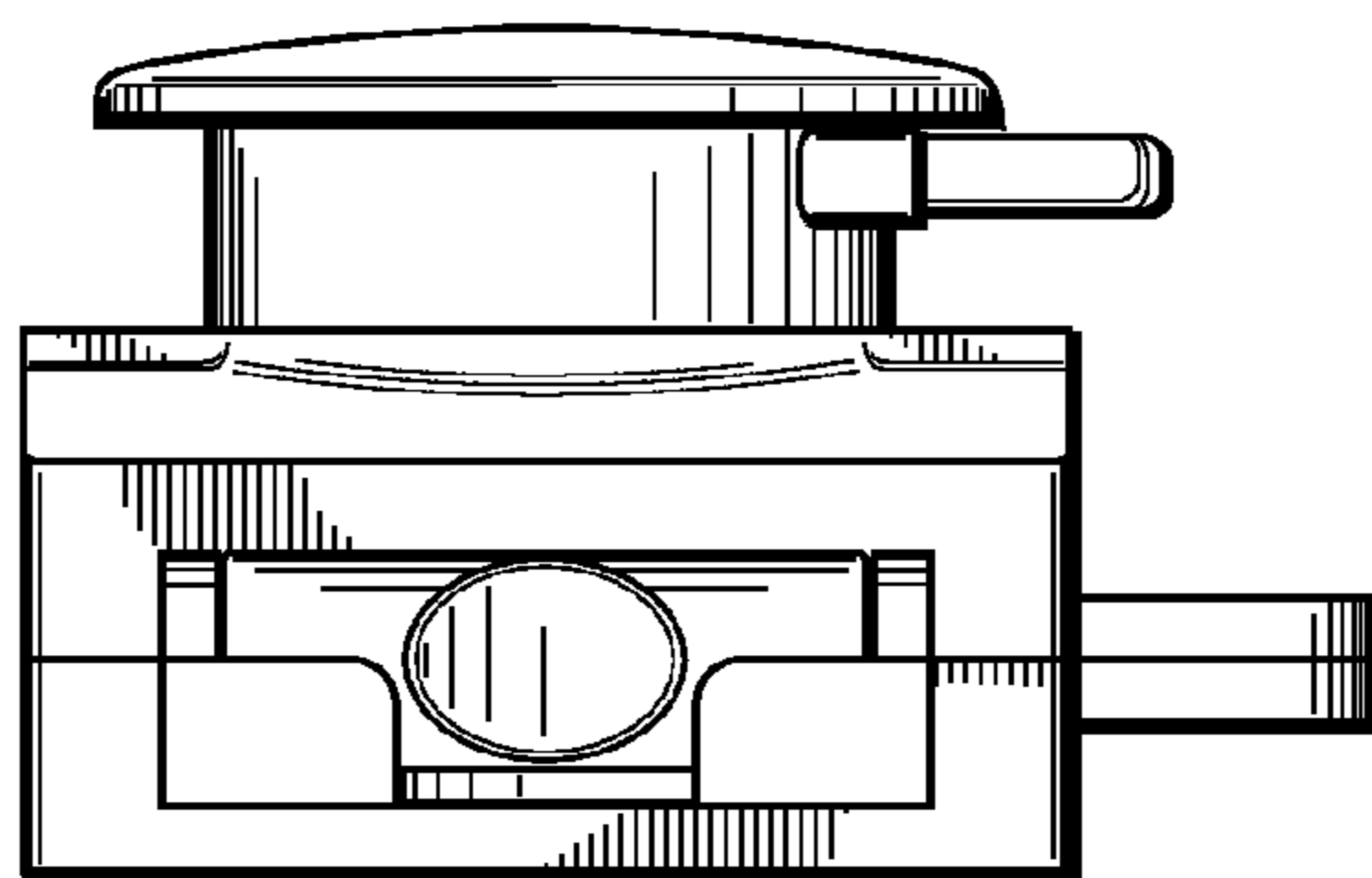


FIG. 15

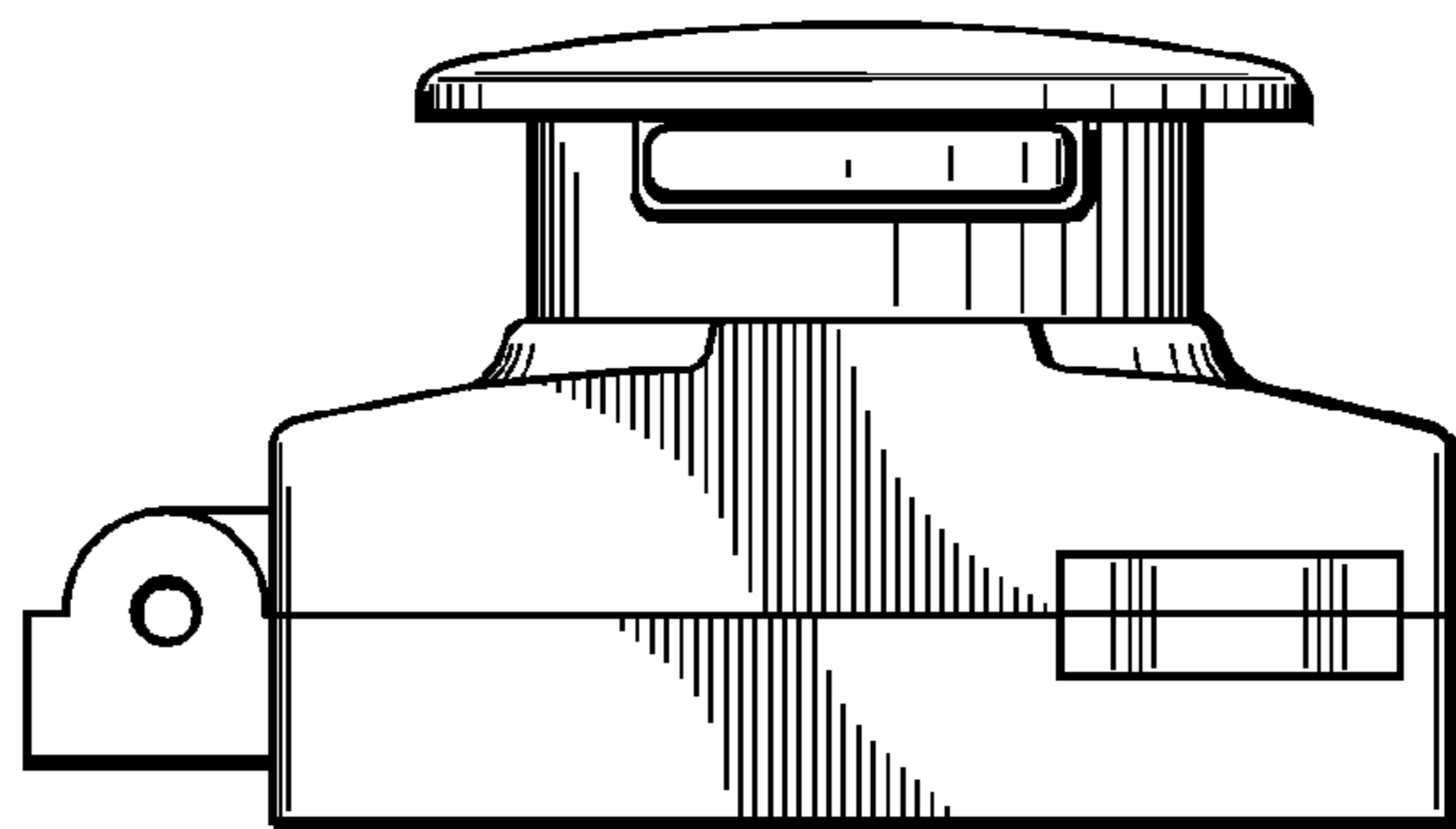


FIG. 16

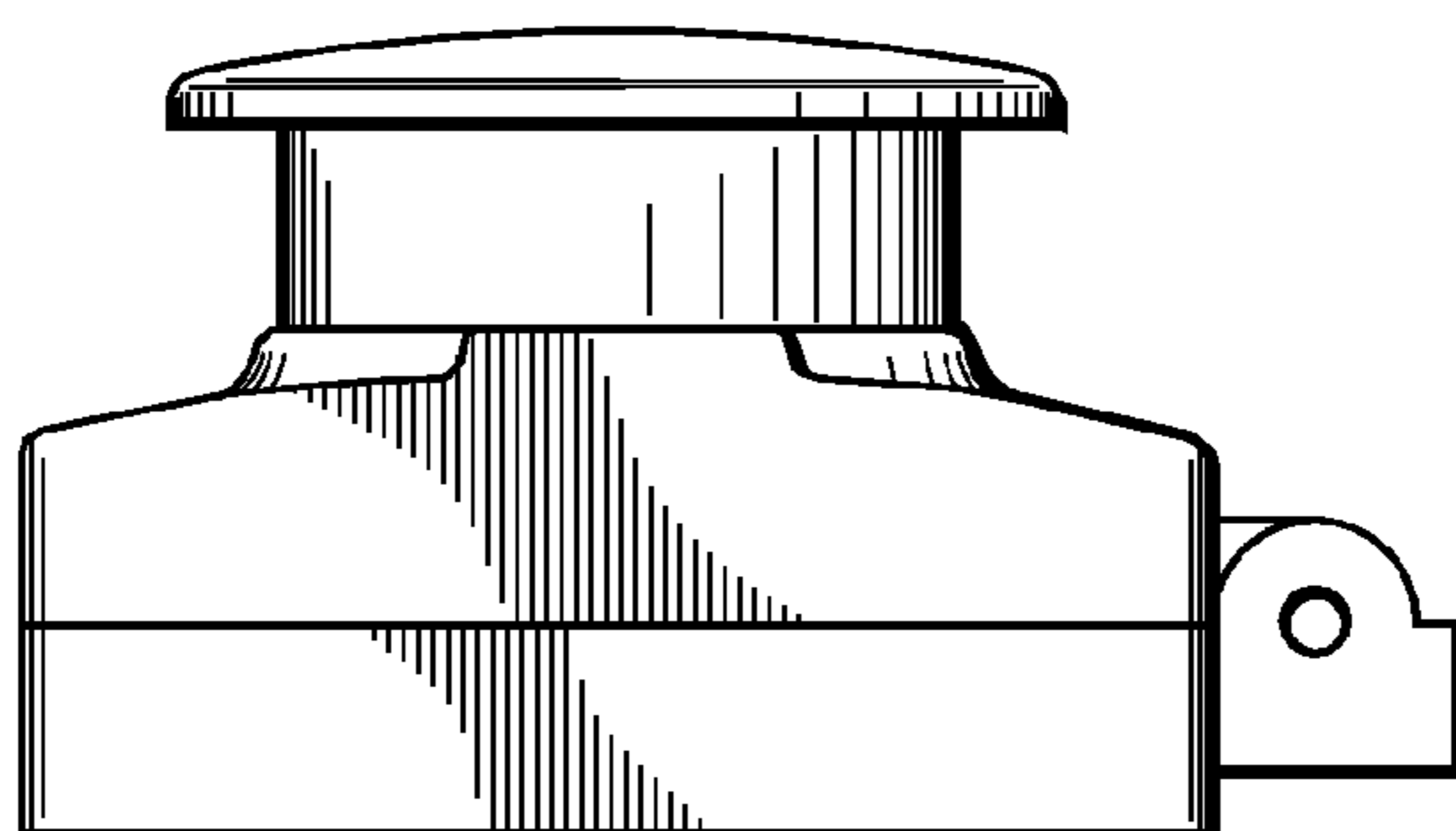


FIG. 17

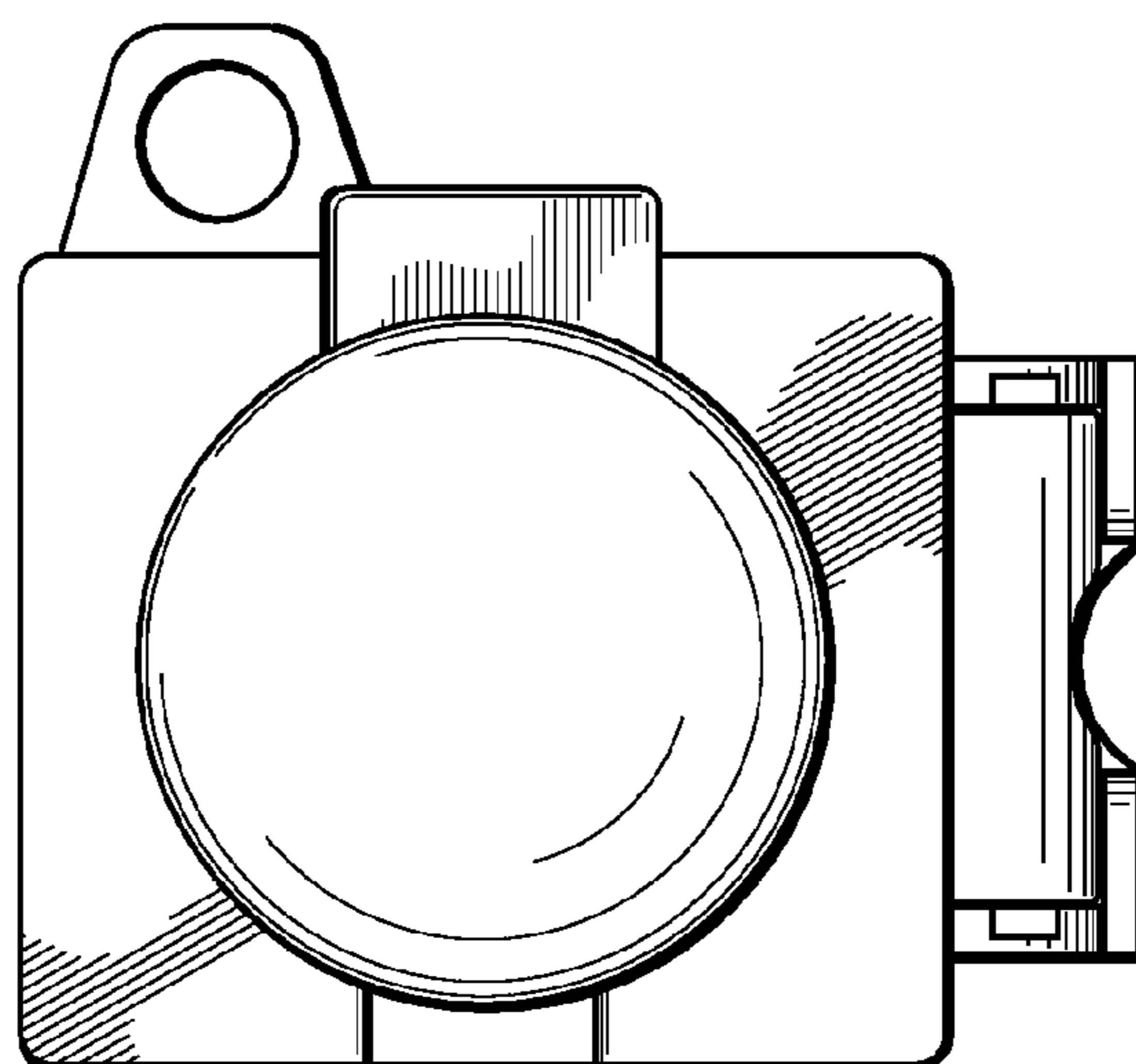


FIG. 18