



US00D596142S

(12) **United States Design Patent**  
**Alvarez**

(10) **Patent No.:** **US D596,142 S**  
(45) **Date of Patent:** **\*\* Jul. 14, 2009**

(54) **CONTROLLER**

D517,399 S \* 3/2006 Jones ..... D8/353  
D570,743 S \* 6/2008 Takagi et al. .... D12/98

(76) Inventor: **Richard Catarino Alvarez**, 8951  
Oakwood St., Westminster, CO (US)  
80031

\* cited by examiner

*Primary Examiner*—Selina Sikder

(\*\*) Term: **14 Years**

(74) *Attorney, Agent, or Firm*—Aileen Law; Sara A.  
Gossman; A Law Firm, P.C.

(21) Appl. No.: **29/296,202**

(57) **CLAIM**

(22) Filed: **Oct. 16, 2007**

The ornamental design for controller, as shown and  
described.

(51) **LOC (9) Cl.** ..... **13-03**

(52) **U.S. Cl.** ..... **D13/169**

(58) **Field of Classification Search** ..... D13/158,  
D13/169; 174/66; 200/5 R, 1 B, 433, 525,  
200/553, 315, 329, 335, 332, 339; D21/433,  
D21/434, 556; D12/98

**DESCRIPTION**

See application file for complete search history.

FIG. 1 is a perspective view of controller, showing my new  
design;

(56) **References Cited**

**U.S. PATENT DOCUMENTS**

3,604,286 A \* 9/1971 Foreman ..... 74/523  
D266,500 S \* 10/1982 Garbe ..... D13/164  
D280,718 S \* 9/1985 Ohashi ..... D13/169  
4,997,996 A \* 3/1991 Ohashi ..... 174/260  
D316,987 S \* 5/1991 Machida et al. .... D12/98  
D442,147 S \* 5/2001 Tamura ..... D13/164  
D479,157 S \* 9/2003 Hayashi et al. .... D12/98  
6,791,047 B1 \* 9/2004 Skarlupka et al. .... 200/335

FIG. 2 is a front elevational view of the invention;

FIG. 3 is a rear elevational view of the invention wherein the  
broken lines are shown for illustrative purposes only and  
forms no part of the claimed design.

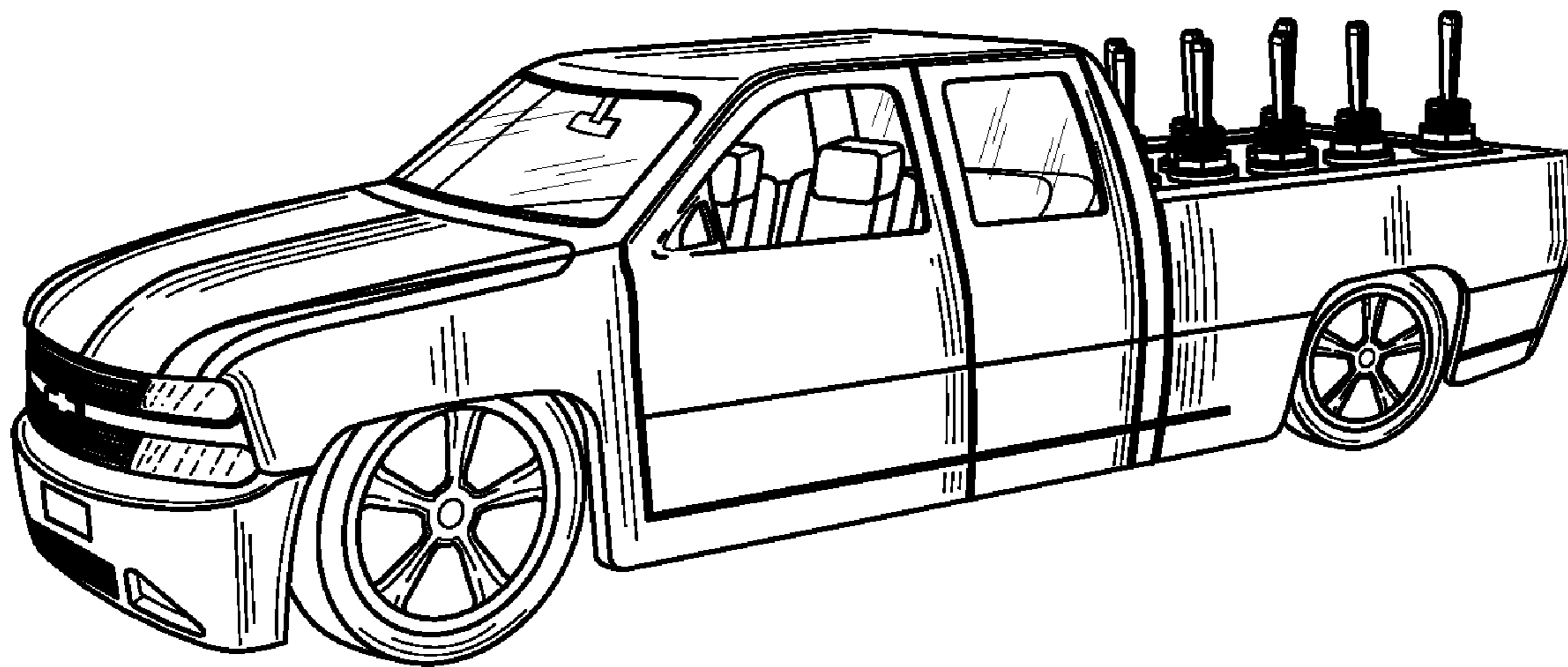
FIG. 4 is a left-side elevational view of the invention;

FIG. 5 is a right-side elevational view of the invention; and,

FIG. 6 is a top plan view of the invention.

The bottom plan view is not visible during normal use and  
forms no part of the claimed design.

**1 Claim, 2 Drawing Sheets**



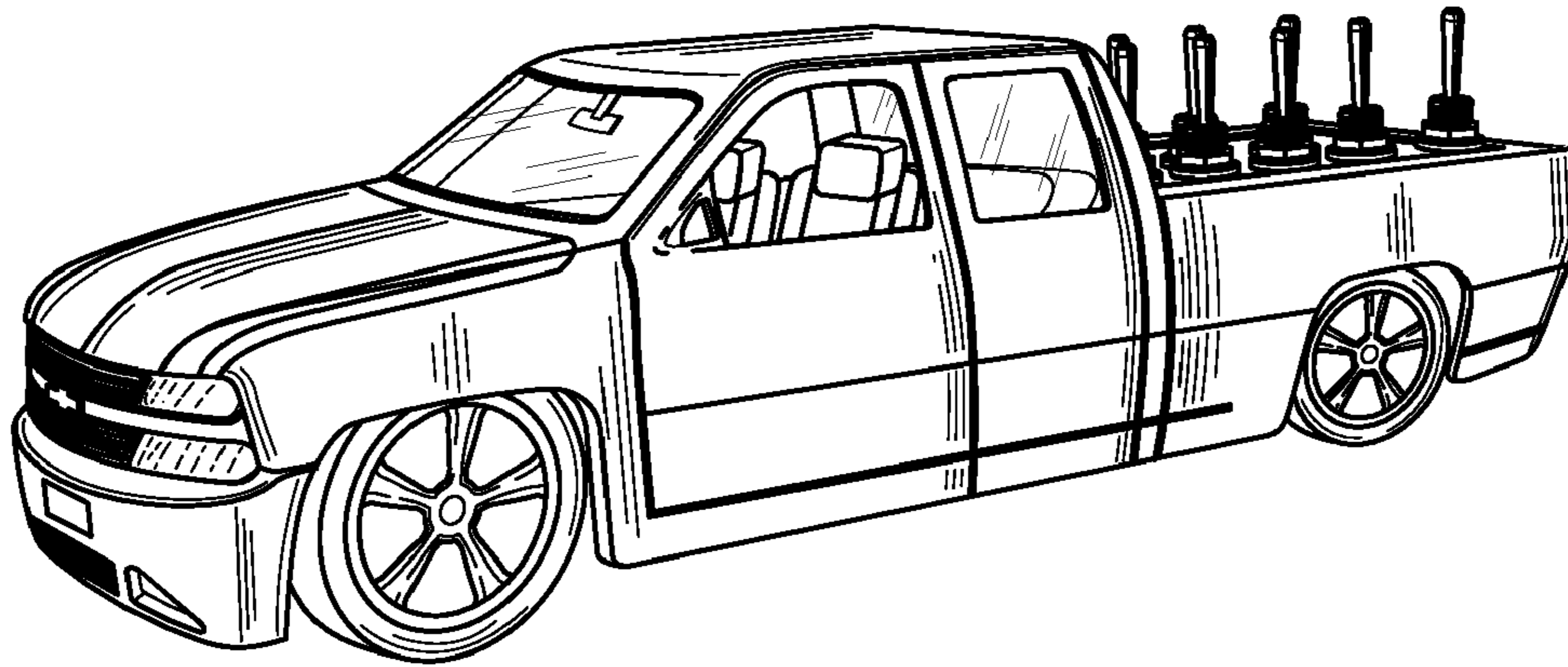


FIG. 1

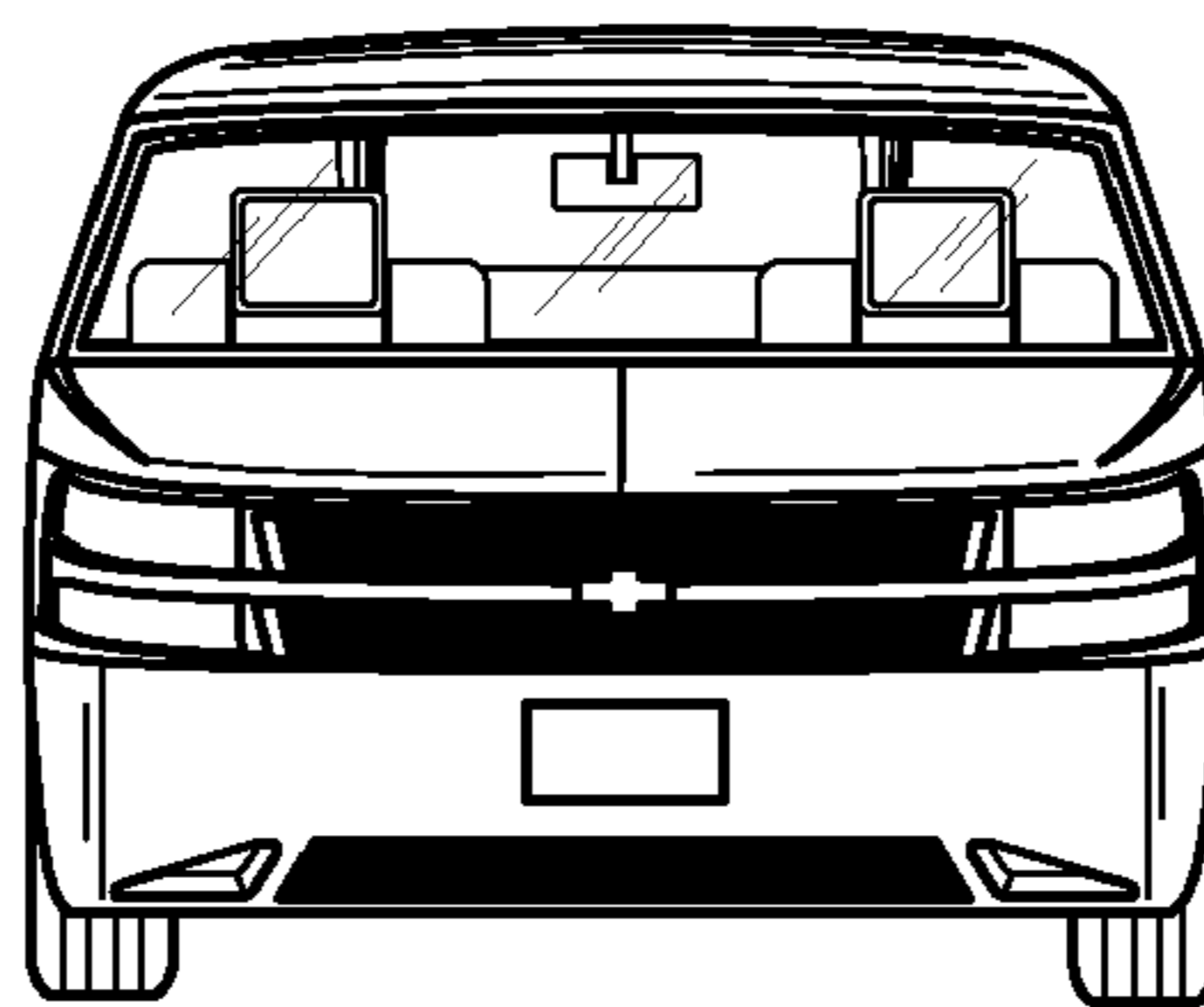


FIG. 2

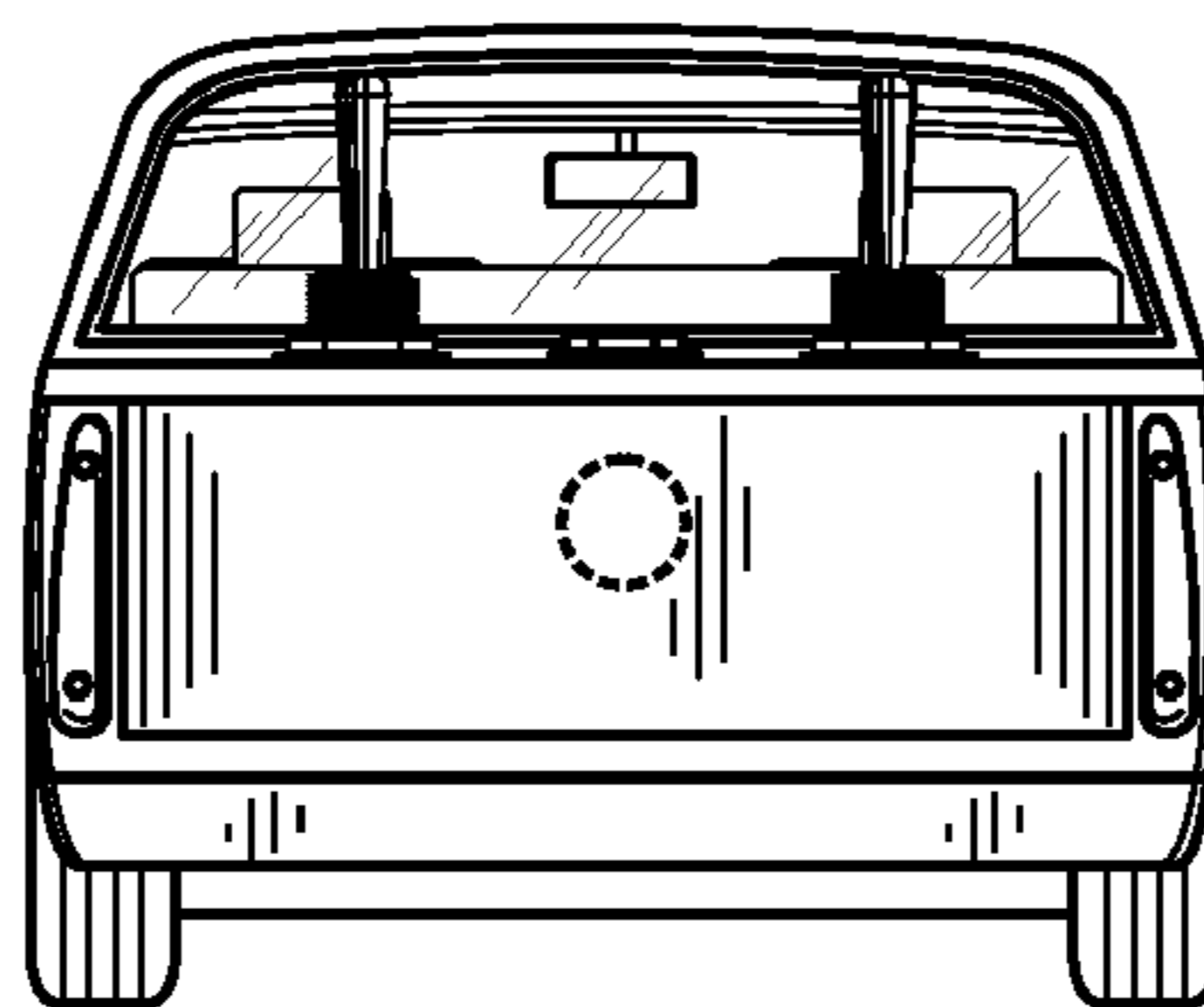


FIG. 3

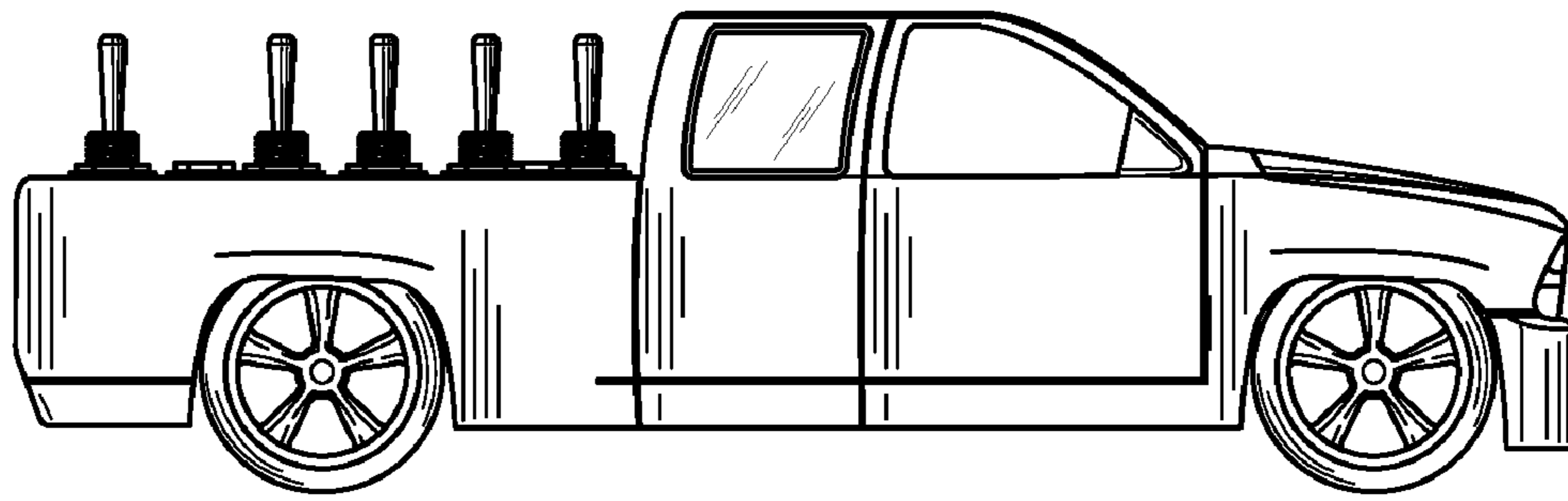


FIG. 4

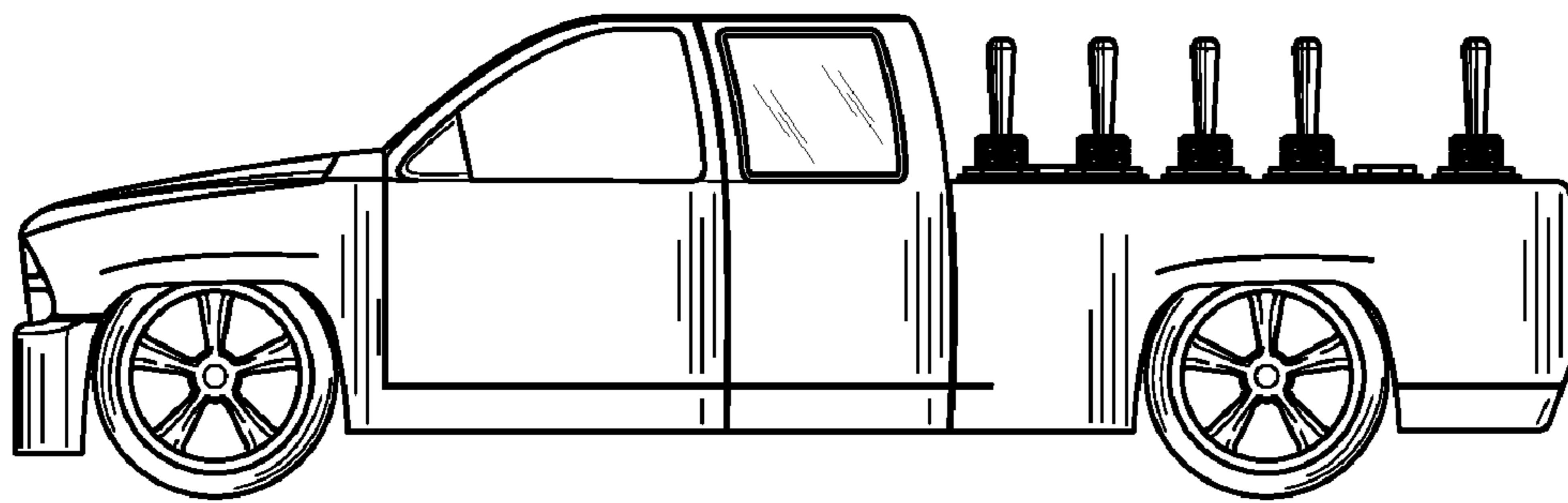


FIG. 5

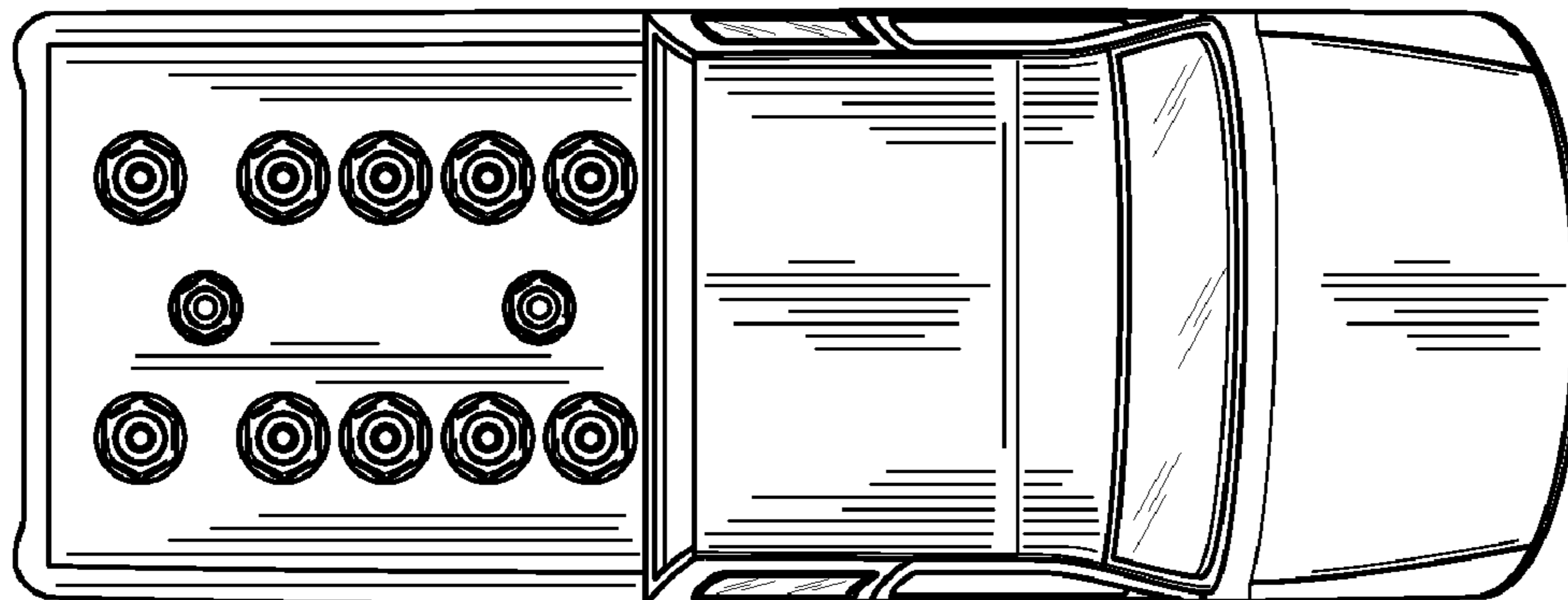


FIG. 6