



US00D596139S

(12) **United States Design Patent**  
**Bedggood**

(10) **Patent No.:** **US D596,139 S**  
(45) **Date of Patent:** **\*\* Jul. 14, 2009**

(54) **SWITCH**

(75) Inventor: **Nigel Bedggood**, Surbiton (GB)

(73) Assignee: **Albright International Ltd.** (GB)

(\*\*) Term: **14 Years**

(21) Appl. No.: **29/320,812**

(22) Filed: **Jul. 3, 2008**

(30) **Foreign Application Priority Data**

Jan. 3, 2008 (EM) ..... 000855796-0003

(51) **LOC (9) Cl.** ..... **13-03**

(52) **U.S. Cl.** ..... **D13/158**

(58) **Field of Classification Search** ..... D13/158,  
D13/171; 200/302.1, 341; 335/126

See application file for complete search history.

(56) **References Cited**

**U.S. PATENT DOCUMENTS**

3,130,282 A \* 4/1964 Hanaway ..... 335/126  
3,740,501 A \* 6/1973 Kiessling et al. .... 200/16 R  
4,644,179 A \* 2/1987 Pointout et al. .... 335/131  
5,521,566 A \* 5/1996 Krubsack et al. .... 335/126  
6,360,707 B1 \* 3/2002 Boegner ..... 123/179.25

7,157,996 B2 \* 1/2007 Enomoto et al. .... 335/132  
D573,543 S \* 7/2008 Bedggood ..... D13/158  
D573,954 S \* 7/2008 Bedggood ..... D13/158  
D574,331 S \* 8/2008 Bedggood ..... D13/158  
2006/0109070 A1 \* 5/2006 Hirabayashi et al. .... 335/126  
2007/0069840 A1 \* 3/2007 Masaki ..... 335/126

\* cited by examiner

*Primary Examiner*—Selina Sikder

(74) *Attorney, Agent, or Firm*—Fish & Richardson P.C.

(57) **CLAIM**

The ornamental design for a switch, as shown and described.

**DESCRIPTION**

FIG. 1 is a front right perspective view of a switch;

FIG. 2 is a front view taken from FIG. 1;

FIG. 3 is a back view taken from FIG. 1;

FIG. 4 is a left view taken from FIG. 1;

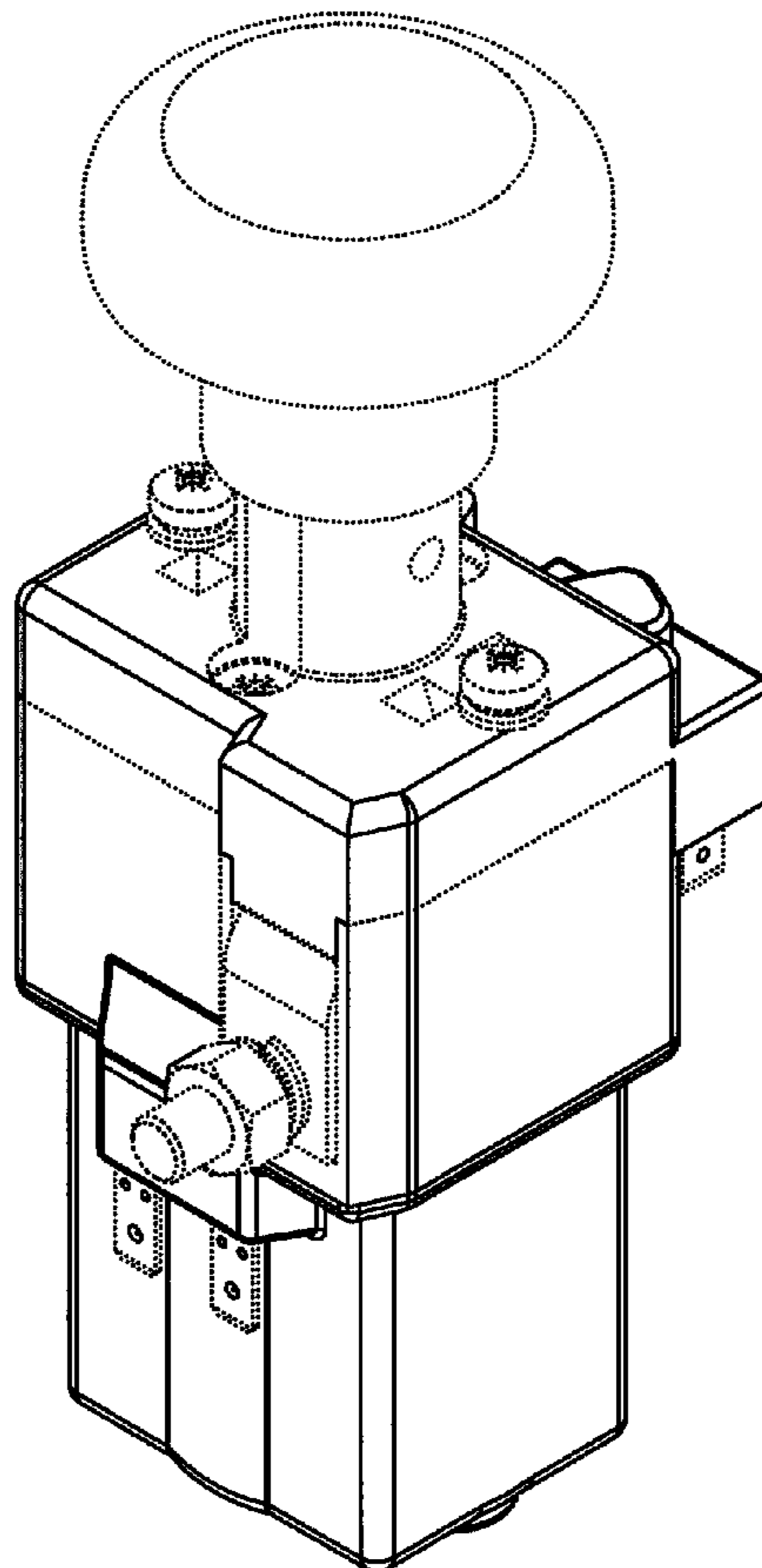
FIG. 5 is a right view taken from FIG. 1;

FIG. 6 is a top view taken from FIG. 1; and,

FIG. 7 is a bottom view taken from FIG. 1.

The broken lines are for illustrative purposes only and form no part of the claimed design.

**1 Claim, 7 Drawing Sheets**



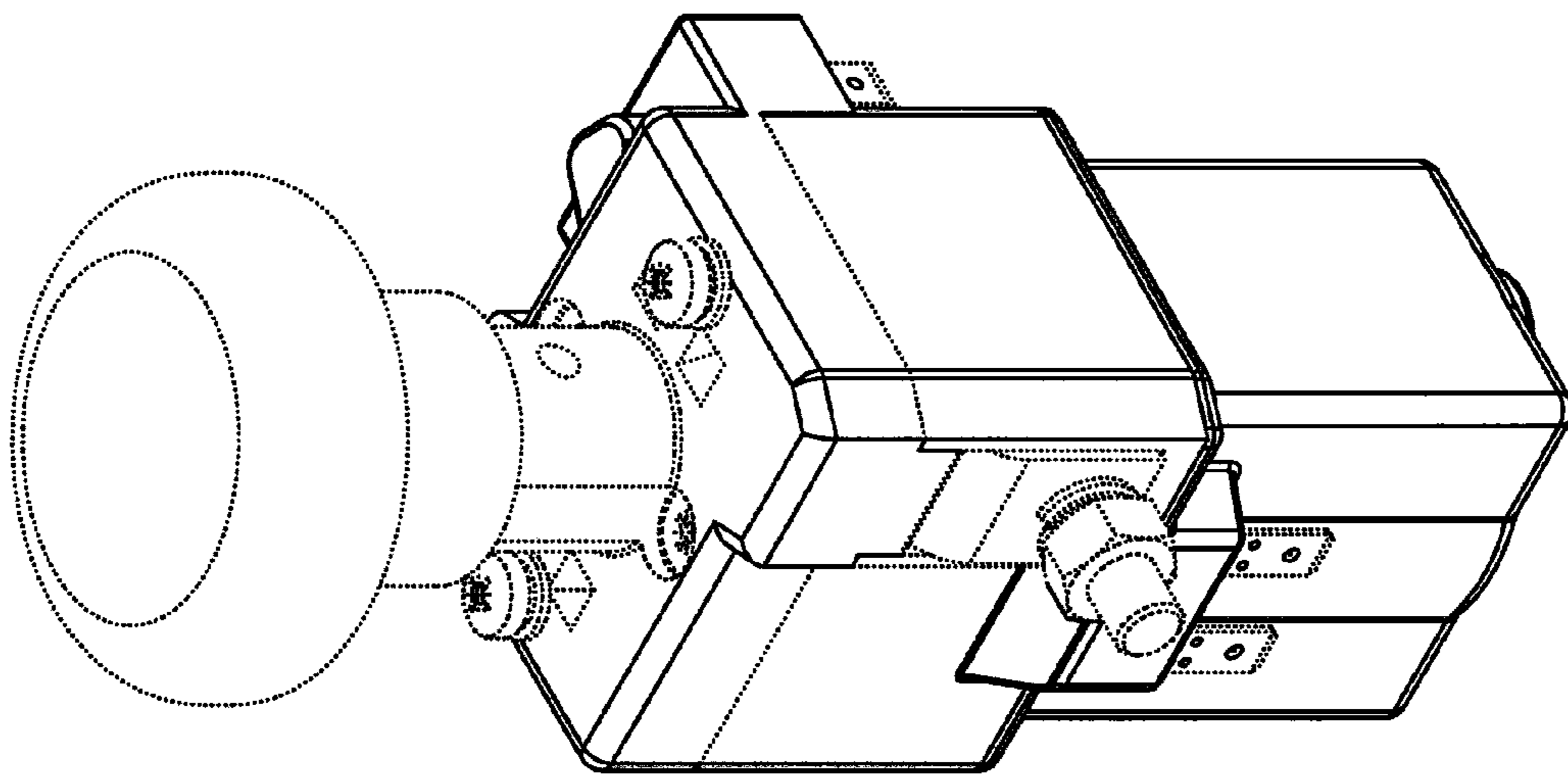


FIG 1

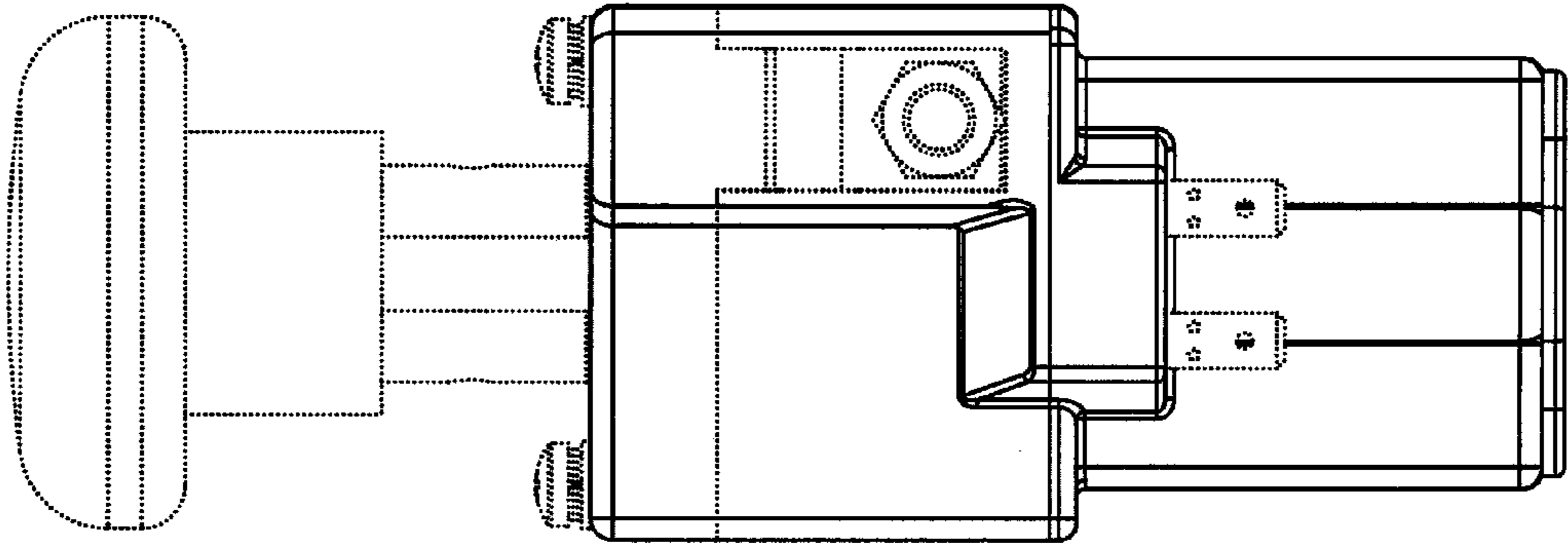


FIG 2

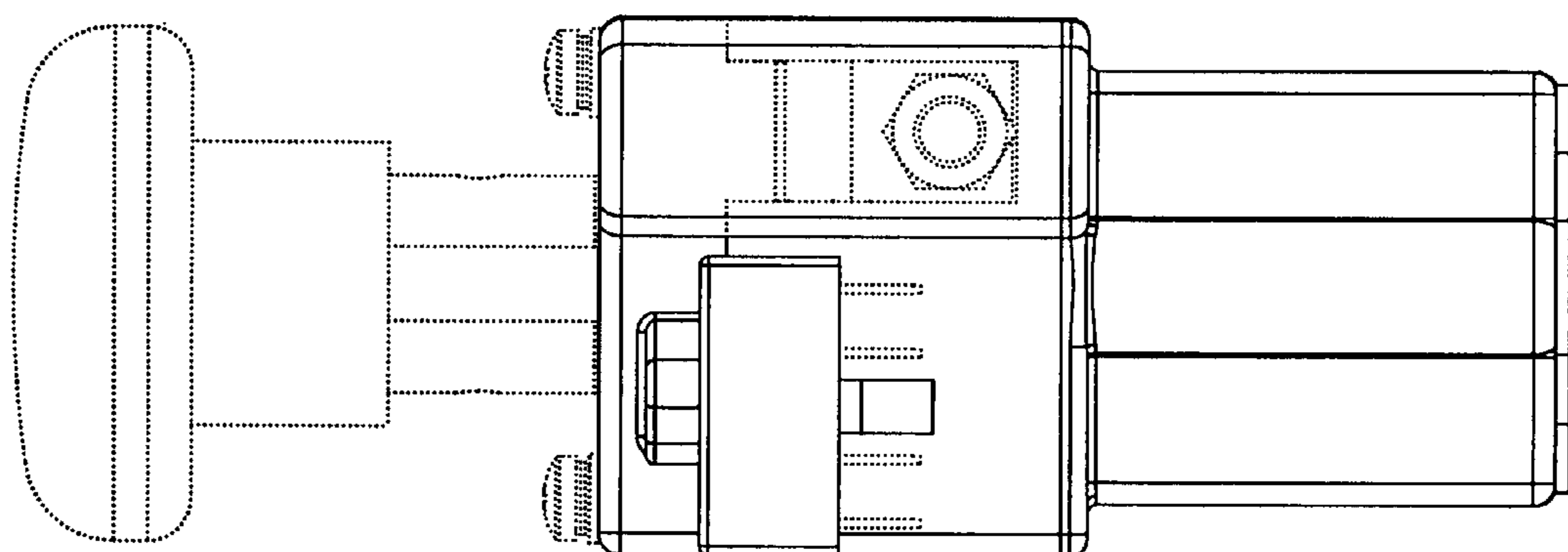


FIG 3

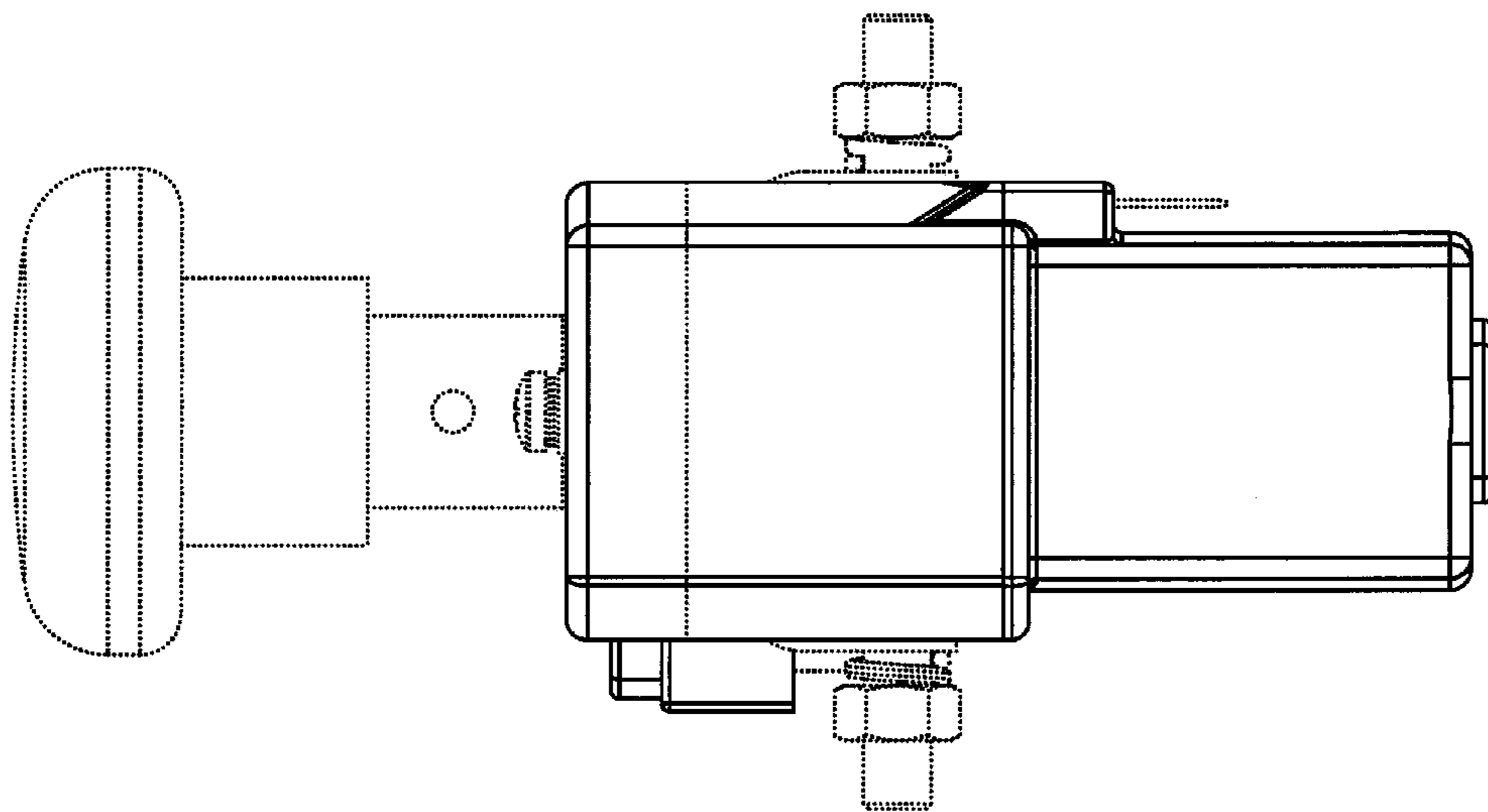


FIG 4

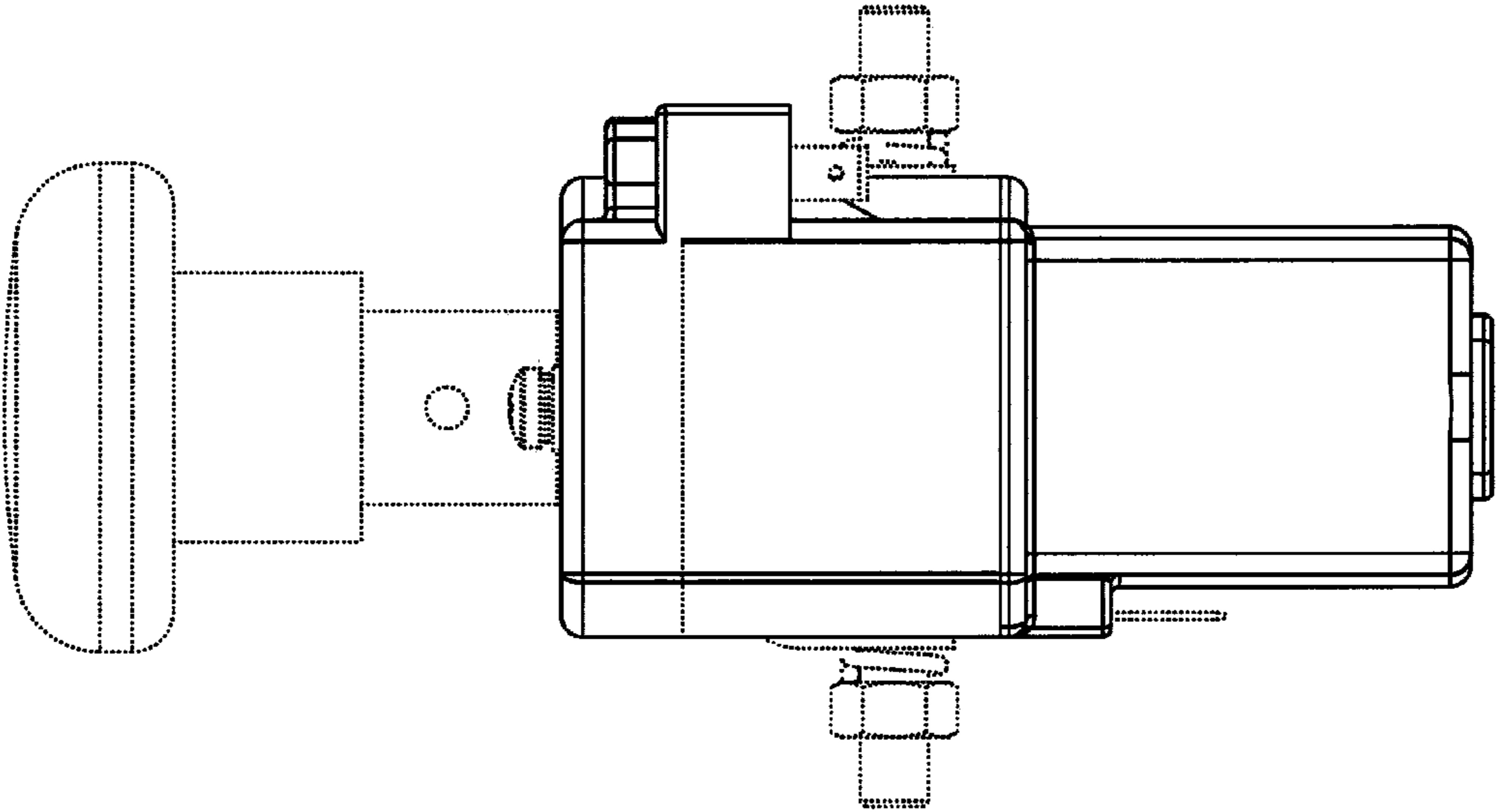


FIG 5

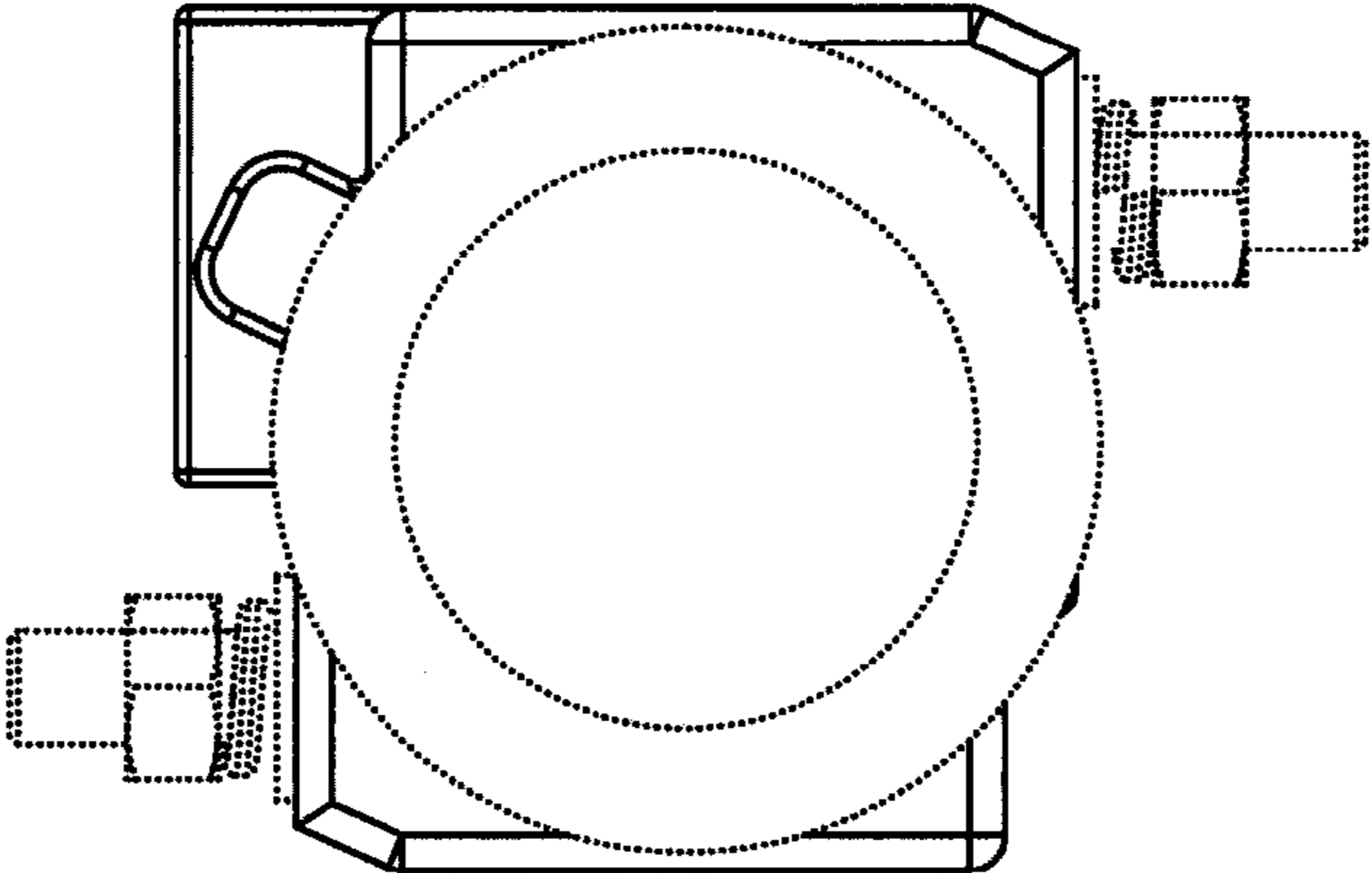


FIG 6

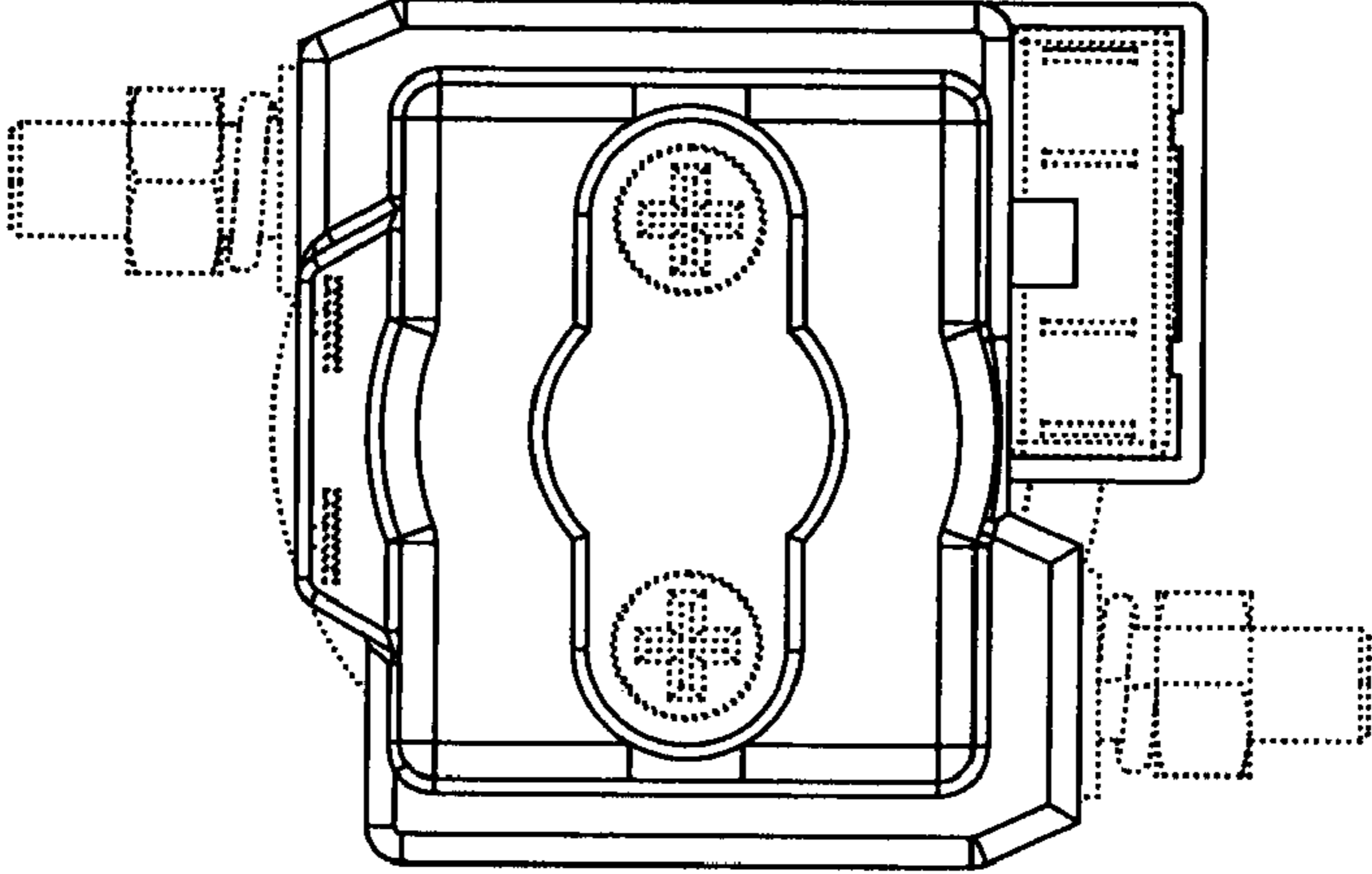


FIG 7