

US00D596138S

(12) **United States Design Patent**
Andersson

(10) **Patent No.:** **US D596,138 S**
(45) **Date of Patent:** **** Jul. 14, 2009**

(54) **POSITION SWITCH**

D521,457 S 5/2006 Laurent et al.

(75) Inventor: **Jan Andersson**, Erlangen (DE)

FOREIGN PATENT DOCUMENTS

(73) Assignee: **Siemens Aktiengesellschaft**, Munich (DE)

JP	D 1099790 A	2/2001
JP	D 1102740	3/2001
JP	D 1138436 A	4/2002
JP	D 1243718	6/2005
TW	D 502993	10/1990
TW	D 559491	4/1991
TW	D0572652	12/1991
TW	D0103562	10/1992

(**) Term: **14 Years**

(21) Appl. No.: **29/290,704**

(22) Filed: **Jan. 4, 2008**

OTHER PUBLICATIONS

Related U.S. Application Data

AS-Interface position switch; Seimens Energy & Automation Inc., Industrial Controls Catalog LV 10, Edition 2004; p. 14/20-14/22; Others; 2004; US.

(62) Division of application No. 29/270,684, filed on Jan. 3, 2007, now Pat. No. Des. 580,879.

Primary Examiner—Daniel D Bui

Assistant Examiner—Thomas J Johannes

(30) **Foreign Application Priority Data**

(74) *Attorney, Agent, or Firm*—Harness, Dickey & Pierce, P.L.C.

Jul. 3, 2006 (EM) 000560123

(51) **LOC (9) Cl.** **13-03**

(52) **U.S. Cl.** **D13/158**

(58) **Field of Classification Search** D13/110, D13/133, 160, 158; 174/50, 66, 65 R, 67, 174/70 R, 77 R, 77 S, 92; 200/5 R, 43.11, 200/43.14, 50.01, 50.15, 293, 293.1, 303, 200/401; 335/68, 132, 202; 361/42, 44, 361/45, 50, 71, 115, 118, 119, 679; 439/578, 439/638, 675, 687, 696, 825, 842, 844, 620
See application file for complete search history.

(57) **CLAIM**

The ornamental design for a position switch, as shown and described.

(56) **References Cited**

DESCRIPTION

U.S. PATENT DOCUMENTS

D313,971 S	1/1991	Rosenbaum et al.
D391,227 S	2/1998	Dickey
D401,908 S	12/1998	Cook
D418,482 S	1/2000	MacKay
D454,546 S	3/2002	MacKay
6,774,326 B2	8/2004	Rochard et al.
D519,937 S	5/2006	Laurent et al.

FIG. 1 is a front elevational view of a position switch showing my new design;
FIG. 2 is a rear elevational view thereof;
FIG. 3 is a top plan view thereof;
FIG. 4 is a bottom plan view thereof;
FIG. 5 is a left side elevational view thereof;
FIG. 6 is a right side elevational view thereof;
FIG. 7 is a perspective view thereof; and,
FIG. 8 is a second perspective view thereof.

The broken lines shown in the drawings are for illustrative purposes only and form no part of the claimed design.

1 Claim, 8 Drawing Sheets

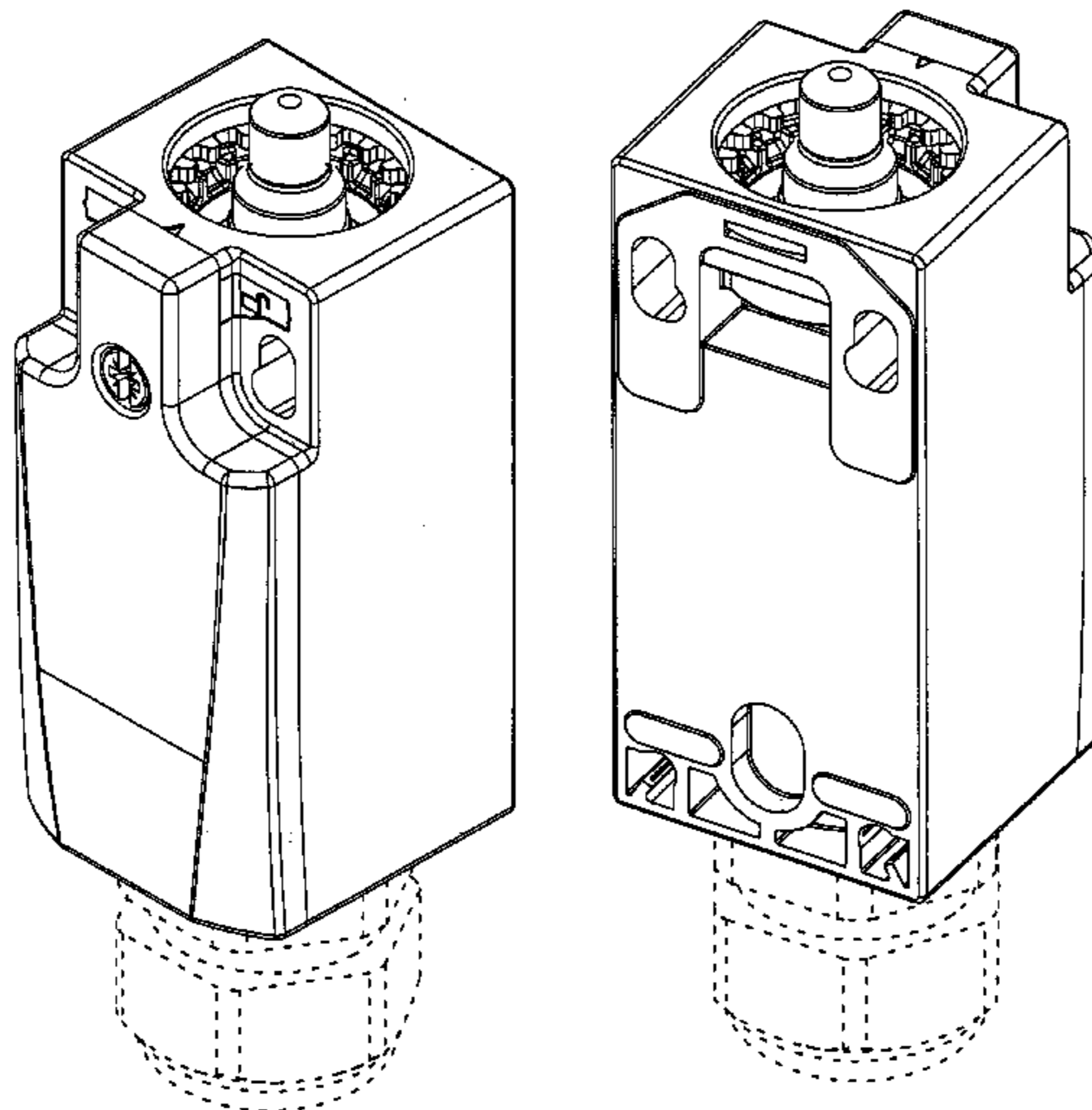


FIG 1

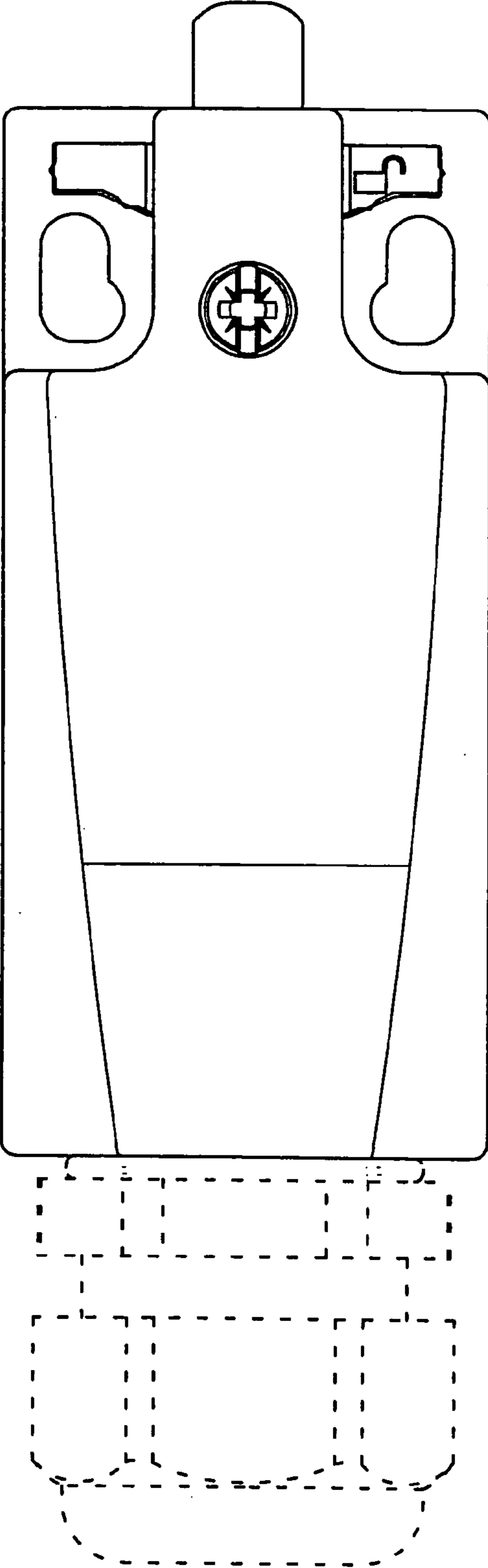


FIG 2

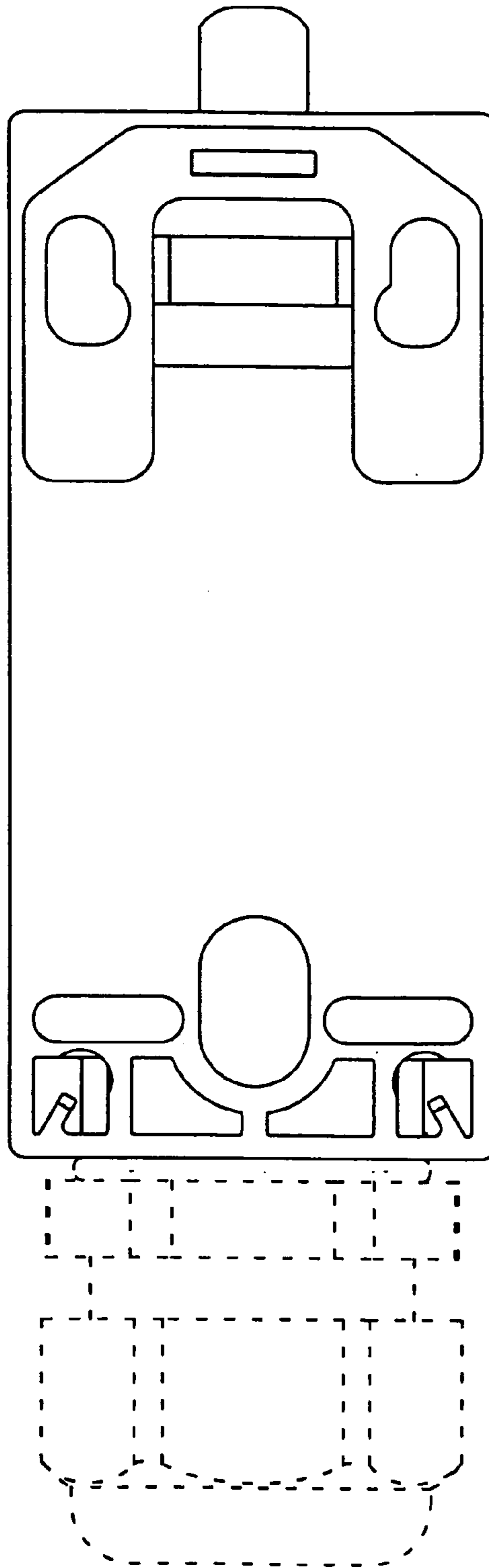


FIG 3

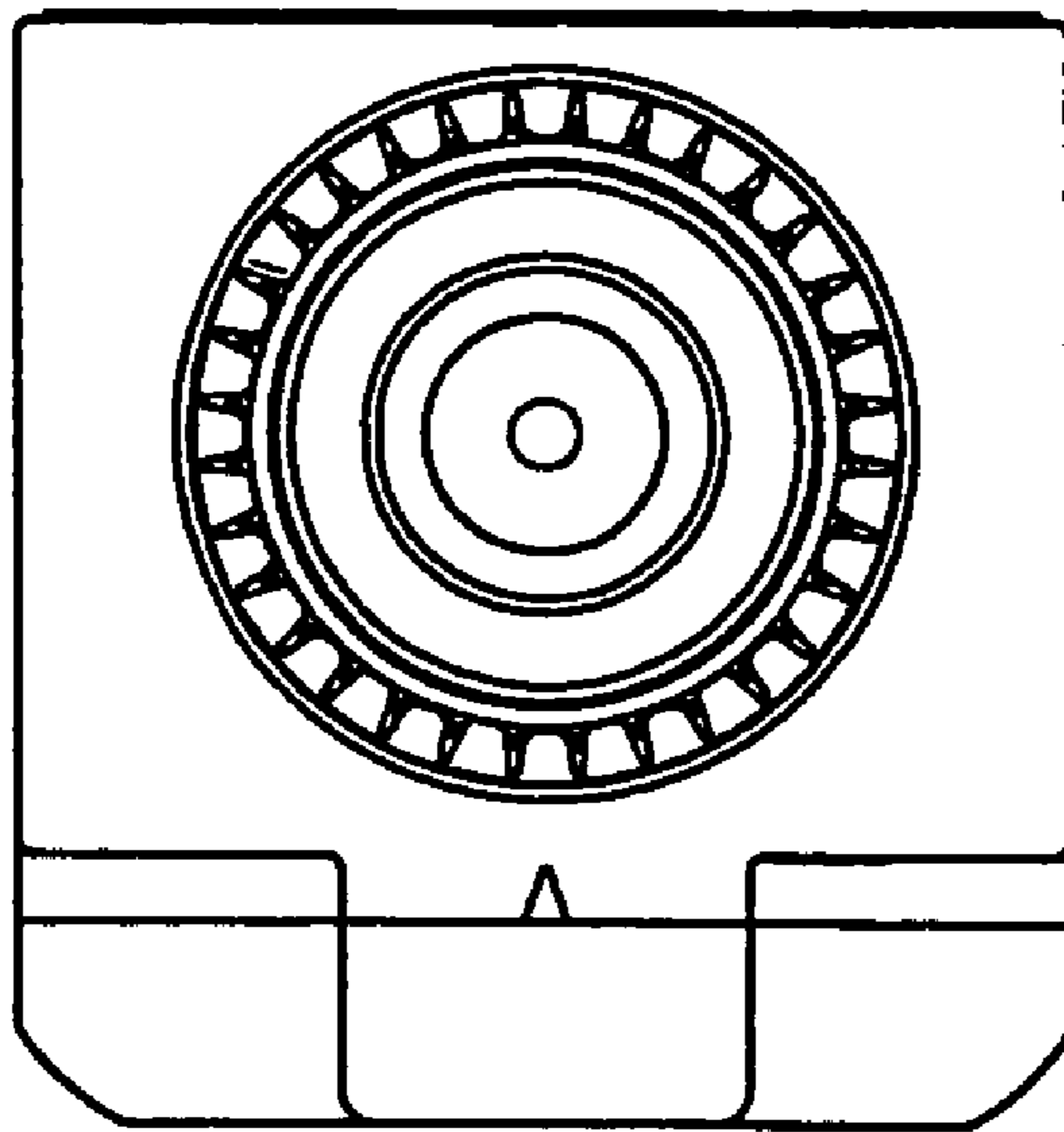


FIG 4

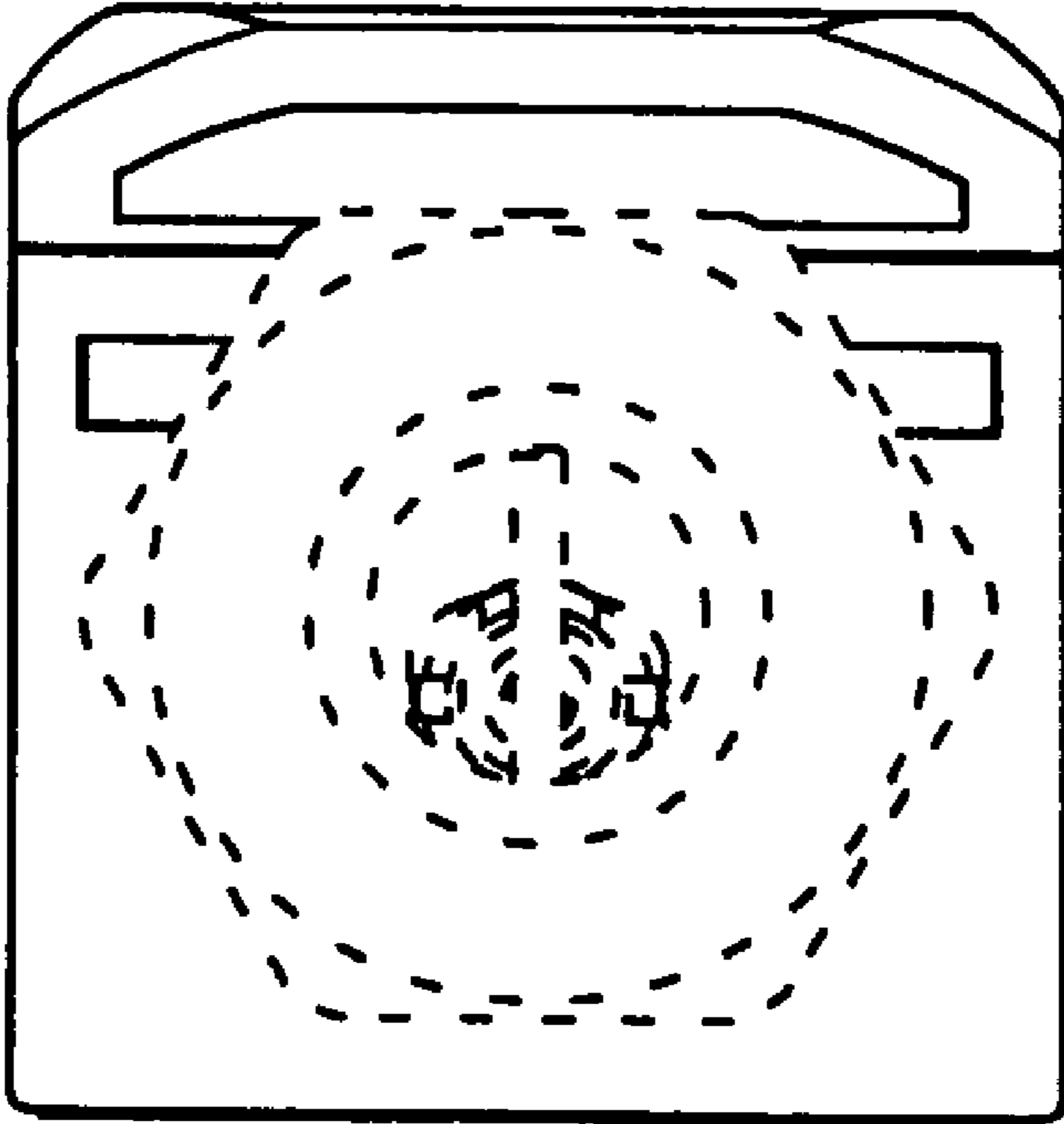


FIG 5

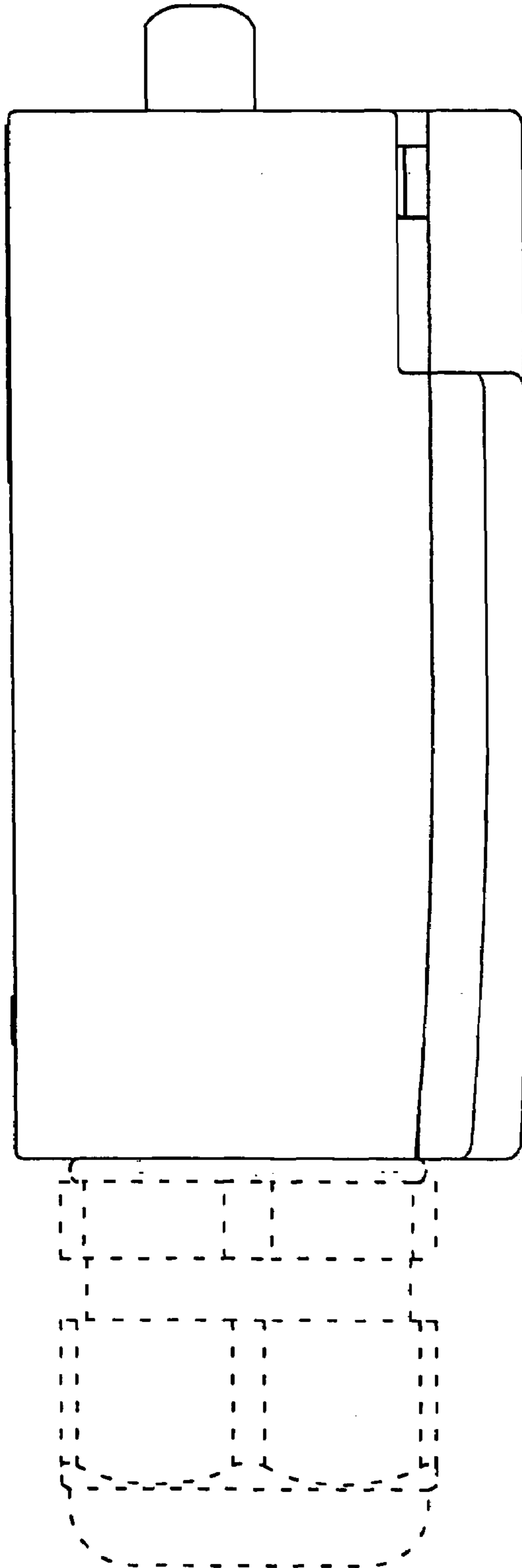


FIG 6

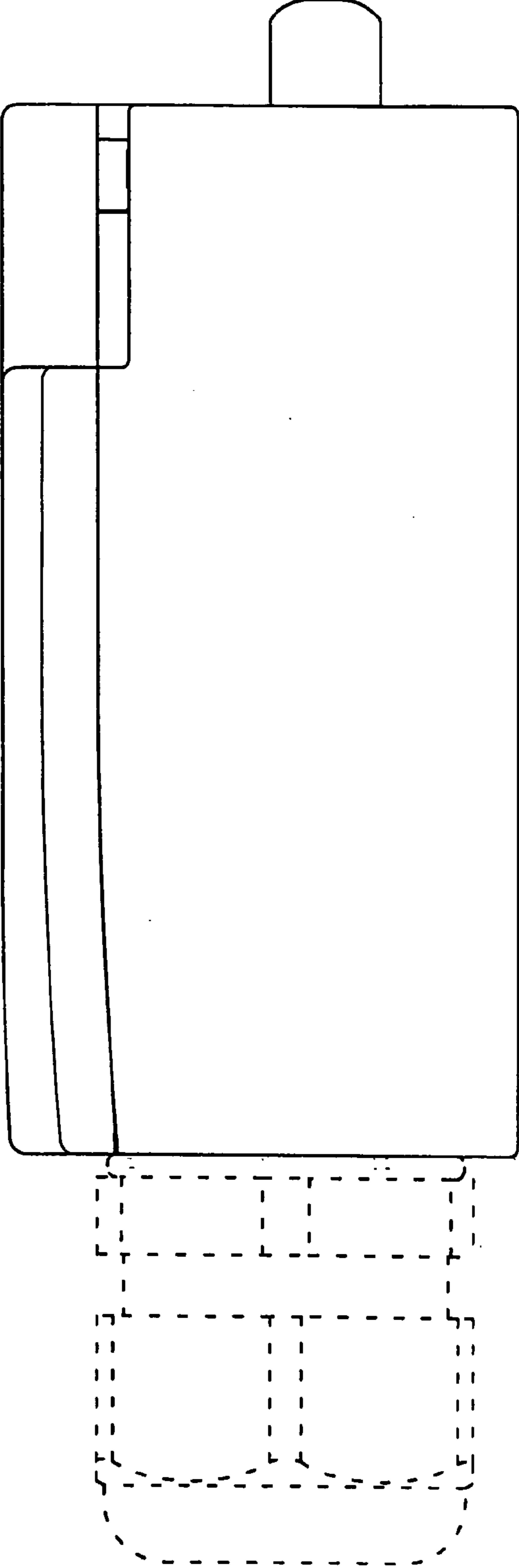


FIG 7

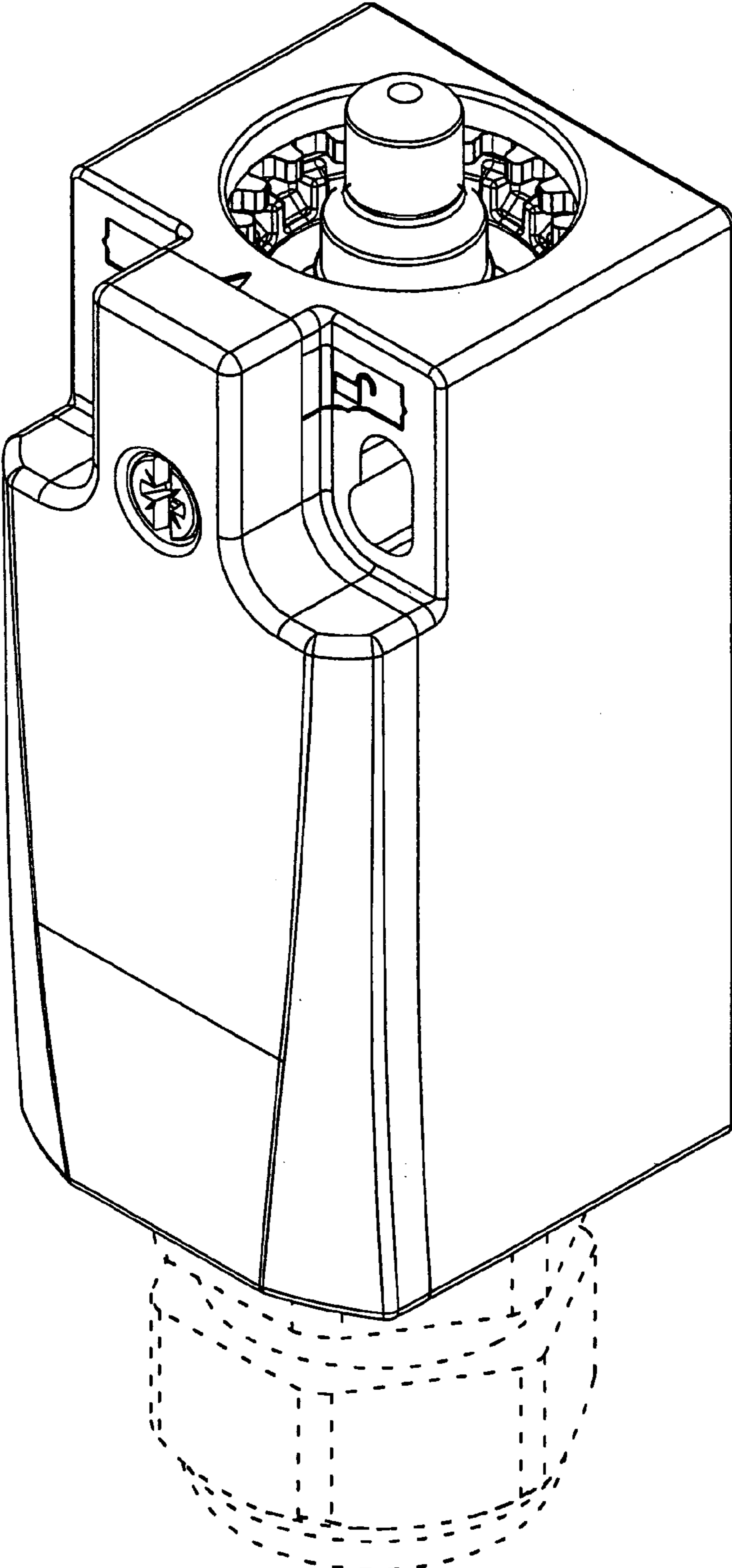


FIG 8

