



US00D596137S

(12) **United States Design Patent**
Sakamoto

(10) **Patent No.:** **US D596,137 S**
(45) **Date of Patent:** **** Jul. 14, 2009**

(54) **ELECTRICAL CONTACT**

(75) Inventor: **Tetsuma Sakamoto**, Tokyo (JP)

(73) Assignee: **Tyco Electronics AMP K.K.**,
Kanagawa-ken (JP)

(**) Term: **14 Years**

(21) Appl. No.: **29/327,923**

(22) Filed: **Nov. 14, 2008**

(30) **Foreign Application Priority Data**

Jun. 30, 2008 (JP) 2008-016732

(51) **LOC (9) Cl.** **13-03**

(52) **U.S. Cl.** **D13/154**

(58) **Field of Classification Search** D13/133,
D13/146-147, 154, 184; 439/578, 625, 675,
439/668-669, 732, 844, 851-852, 865-867,
439/872, 877, 884

See application file for complete search history.

(56) **References Cited**

U.S. PATENT DOCUMENTS

D372,222 S * 7/1996 Matthews D13/154
5,542,861 A * 8/1996 Anhalt et al. 439/578
D501,649 S * 2/2005 Yang et al. D13/133
D566,653 S * 4/2008 Sakamoto D13/133
2002/0058442 A1 * 5/2002 Walker 439/625

FOREIGN PATENT DOCUMENTS

JP 968560 11/1996
JP D1093167 12/2000
JP D1242037 6/2005
JP D1251048 9/2005
JP D1269829 5/2006

* cited by examiner

Primary Examiner—Daniel D Bui

(74) *Attorney, Agent, or Firm*—Barley Snyder LLC

(57) **CLAIM**

The ornamental design for an electrical contact, as shown and described.

DESCRIPTION

FIG. 1 is a front elevation view of an electrical contact, showing my new design;

FIG. 2 is a top plan view thereof;

FIG. 3 is a bottom plan view thereof;

FIG. 4 is a right side elevation view thereof;

FIG. 5 is a rear elevation view thereof;

FIG. 6 is a cross sectional view thereof; taken along line 6—6 in FIG. 1 thereof;

FIG. 7 is a top, front and right side perspective view thereof; and,

FIG. 8 is a bottom, rear and left side view thereof.

1 Claim, 8 Drawing Sheets

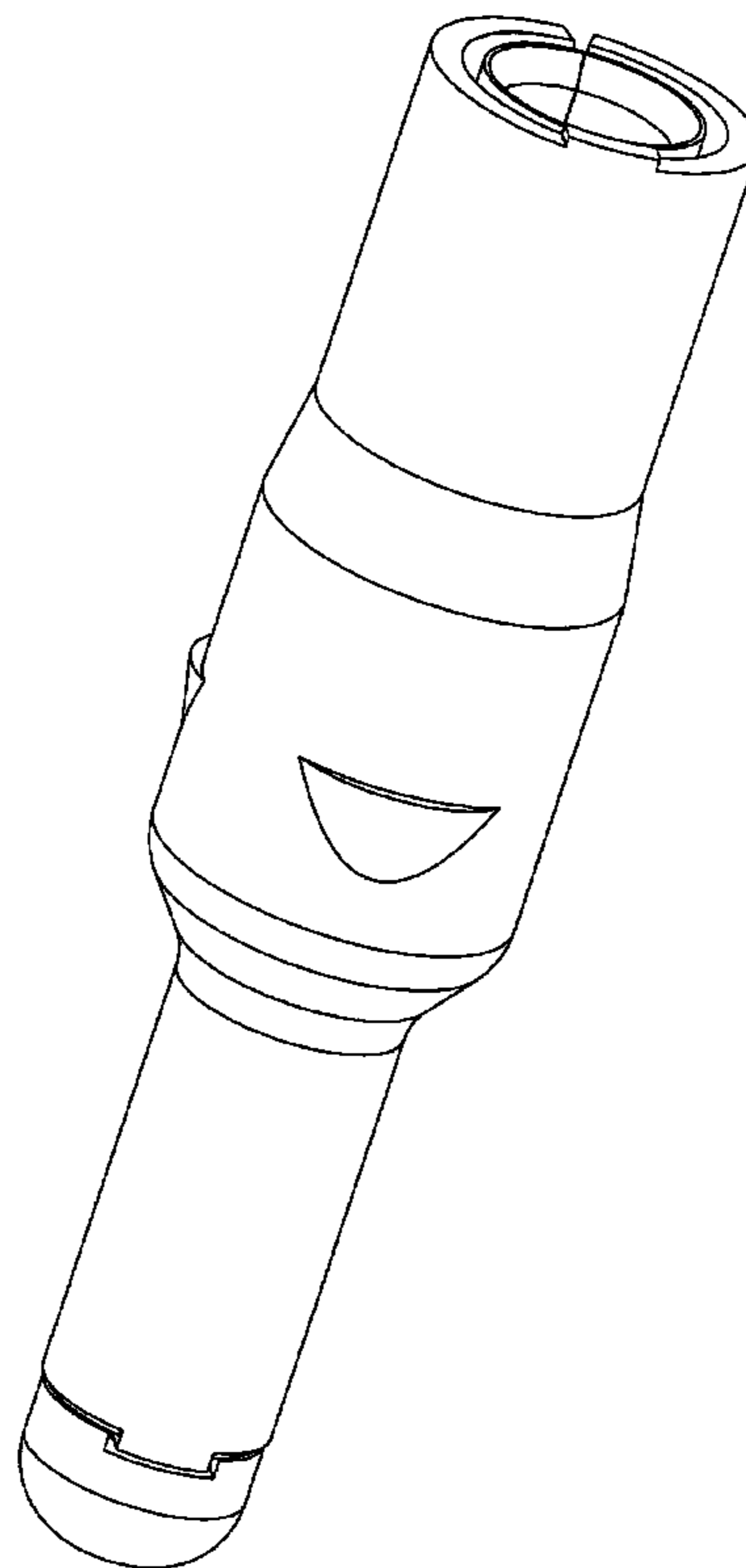
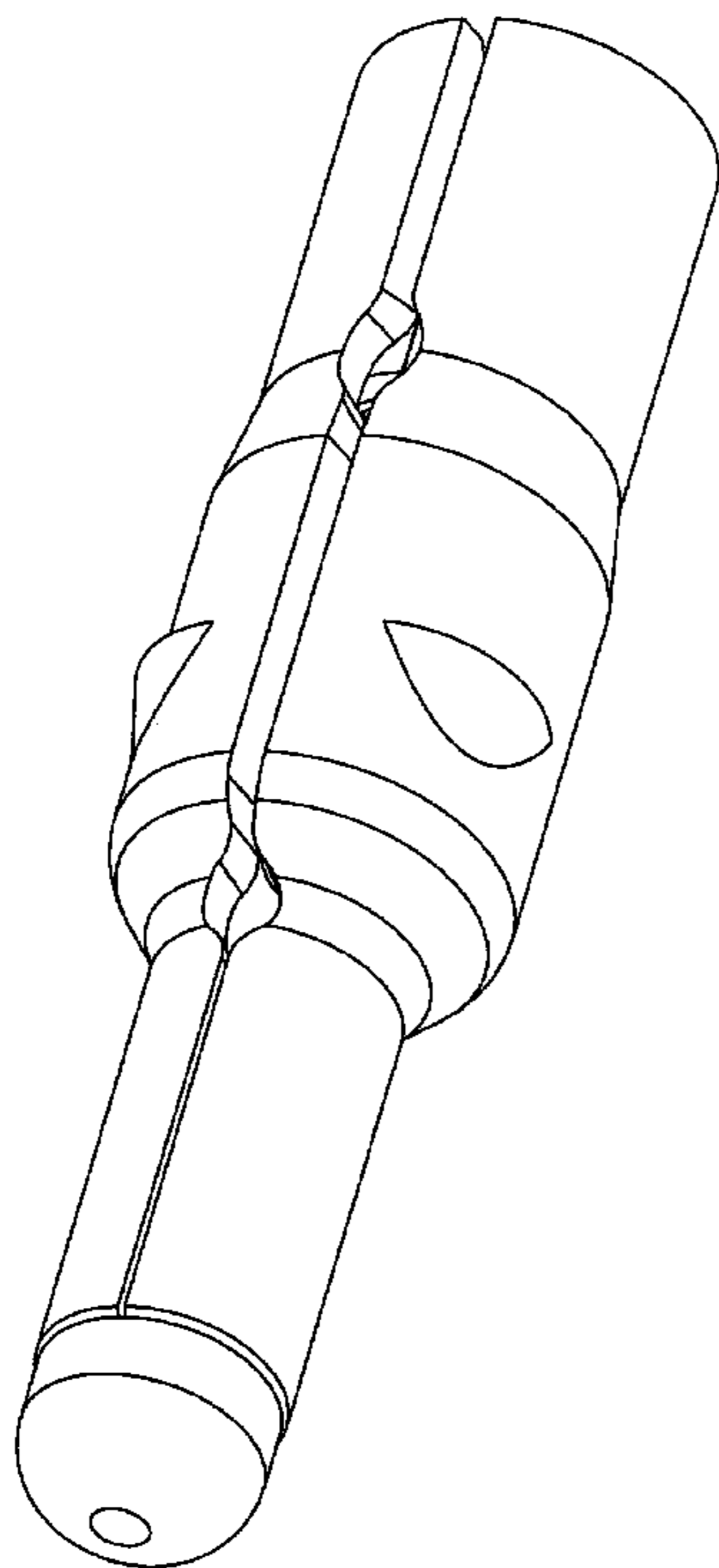


Figure 1

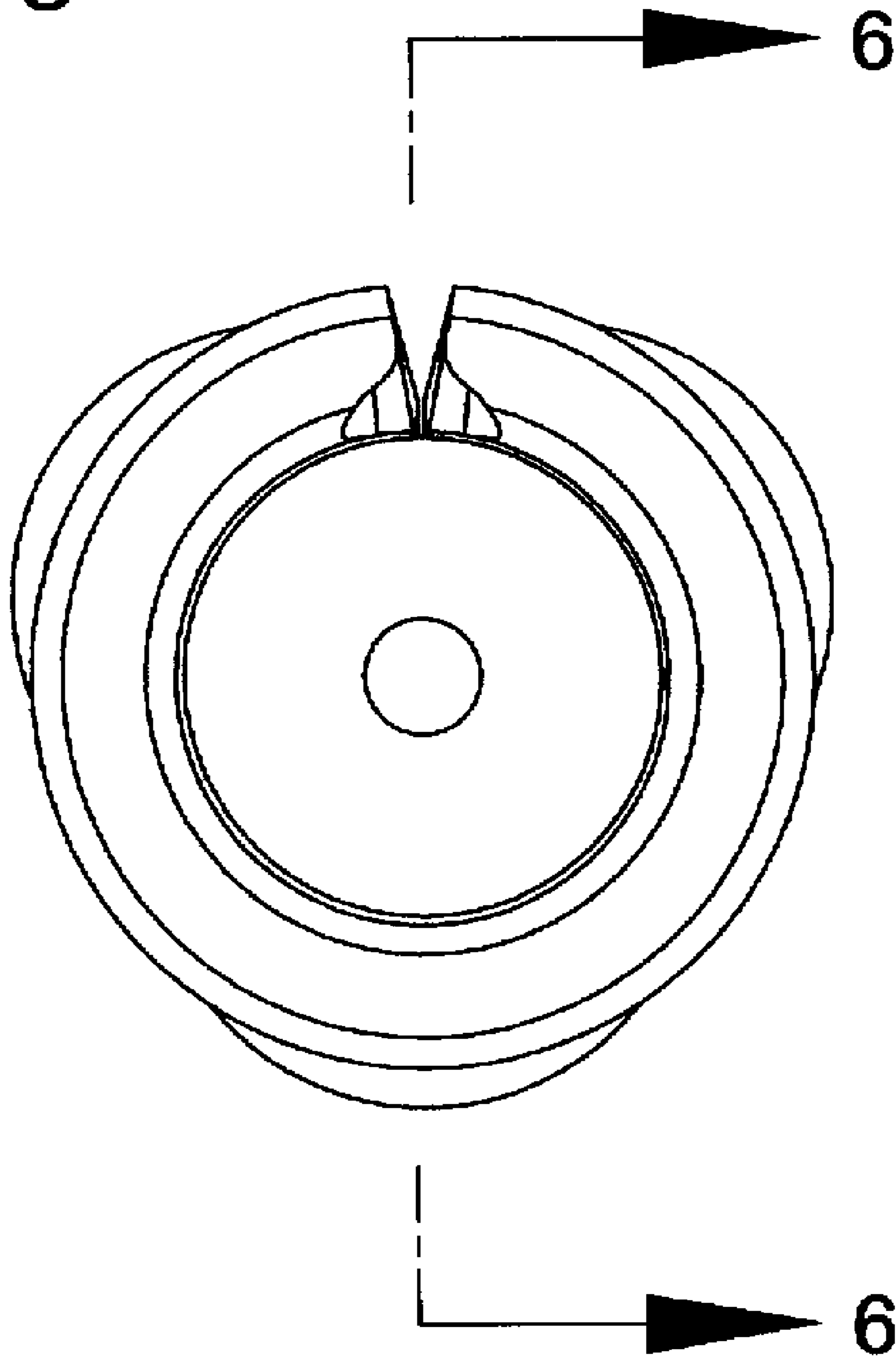


Figure 2

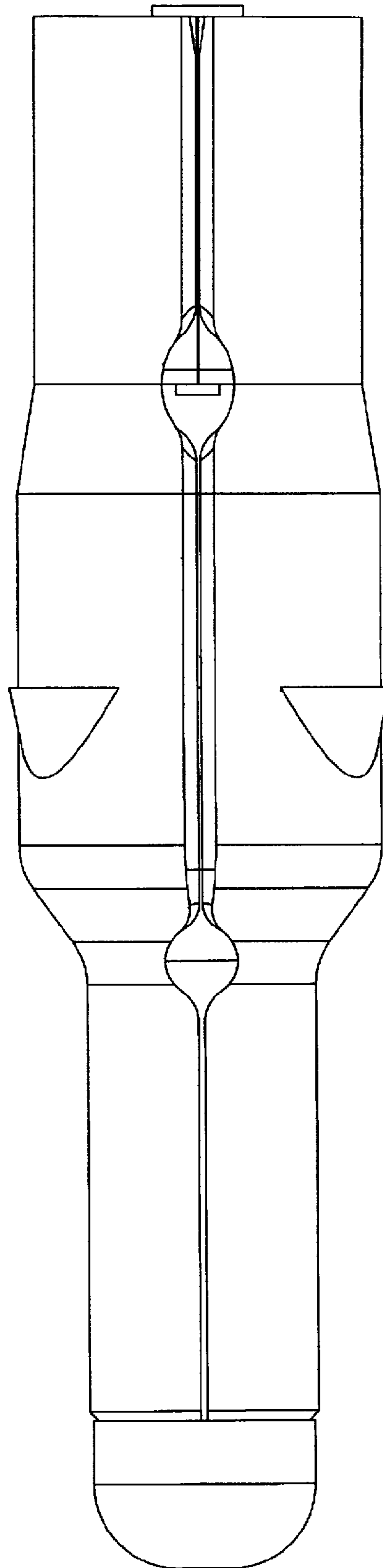


Figure 3

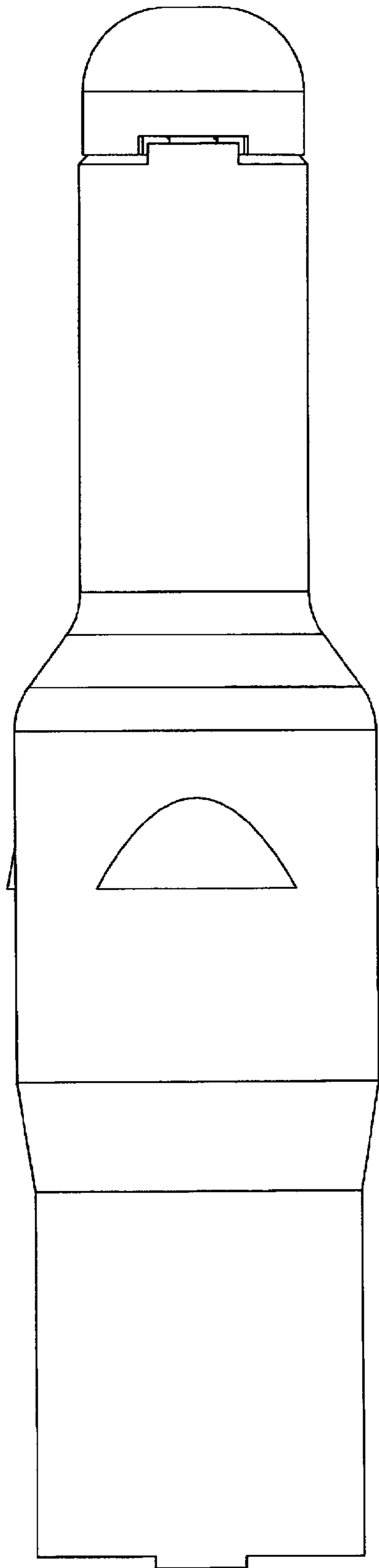


Figure 4

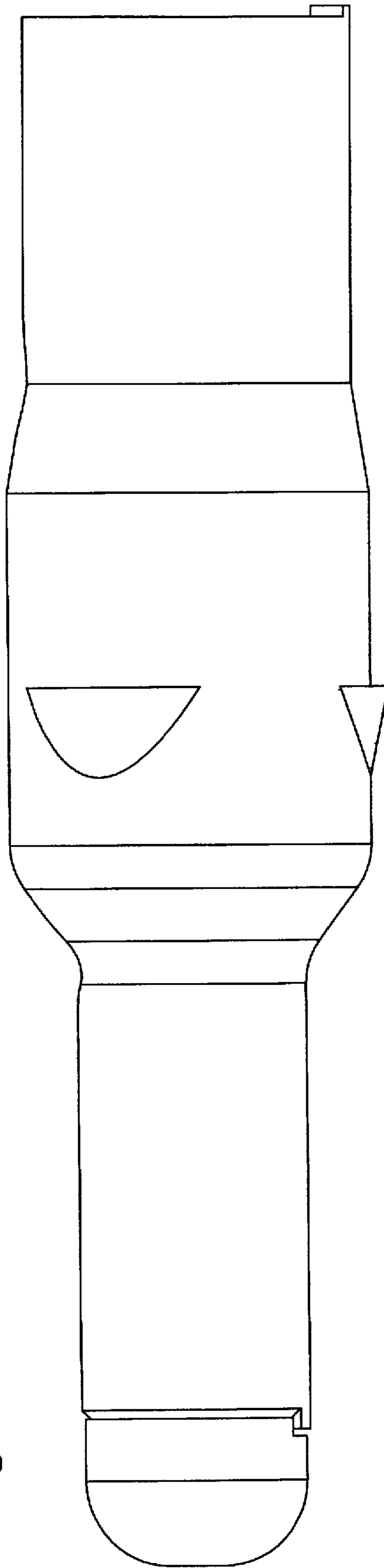
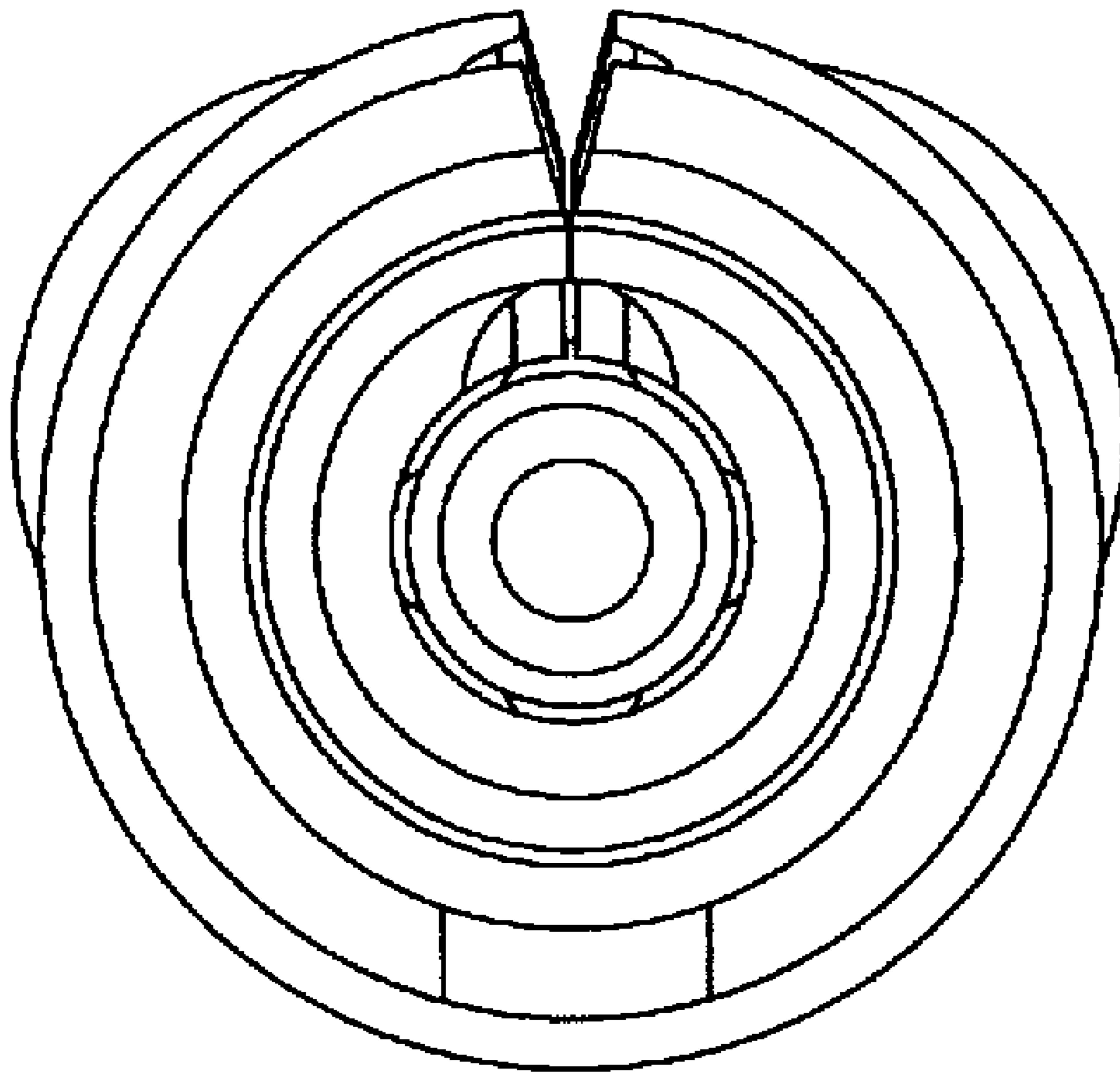


Figure 5



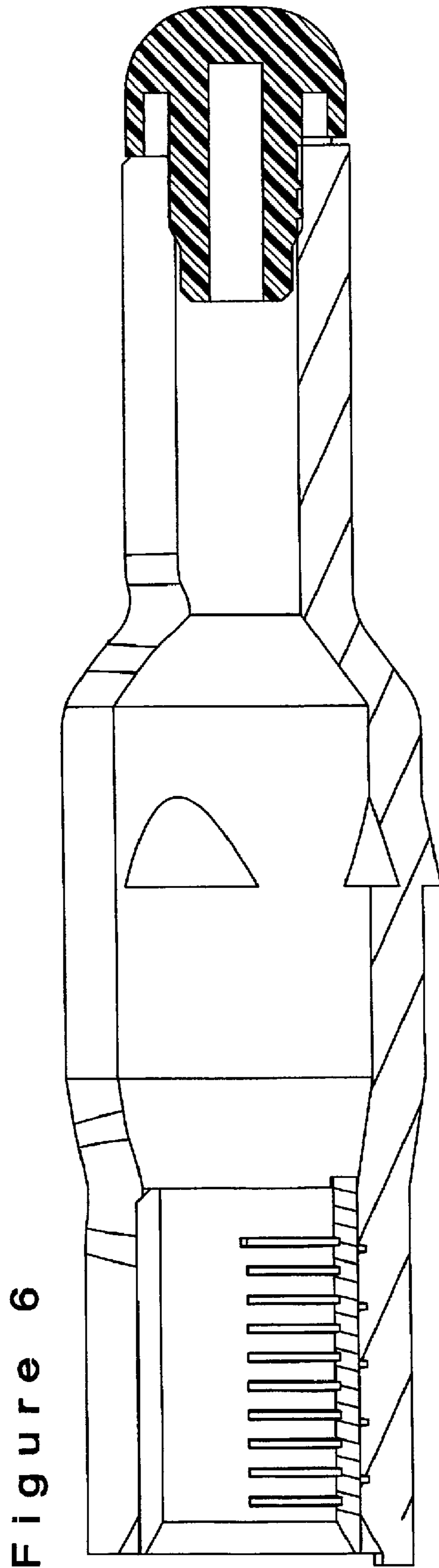


Figure 6

Figure 7

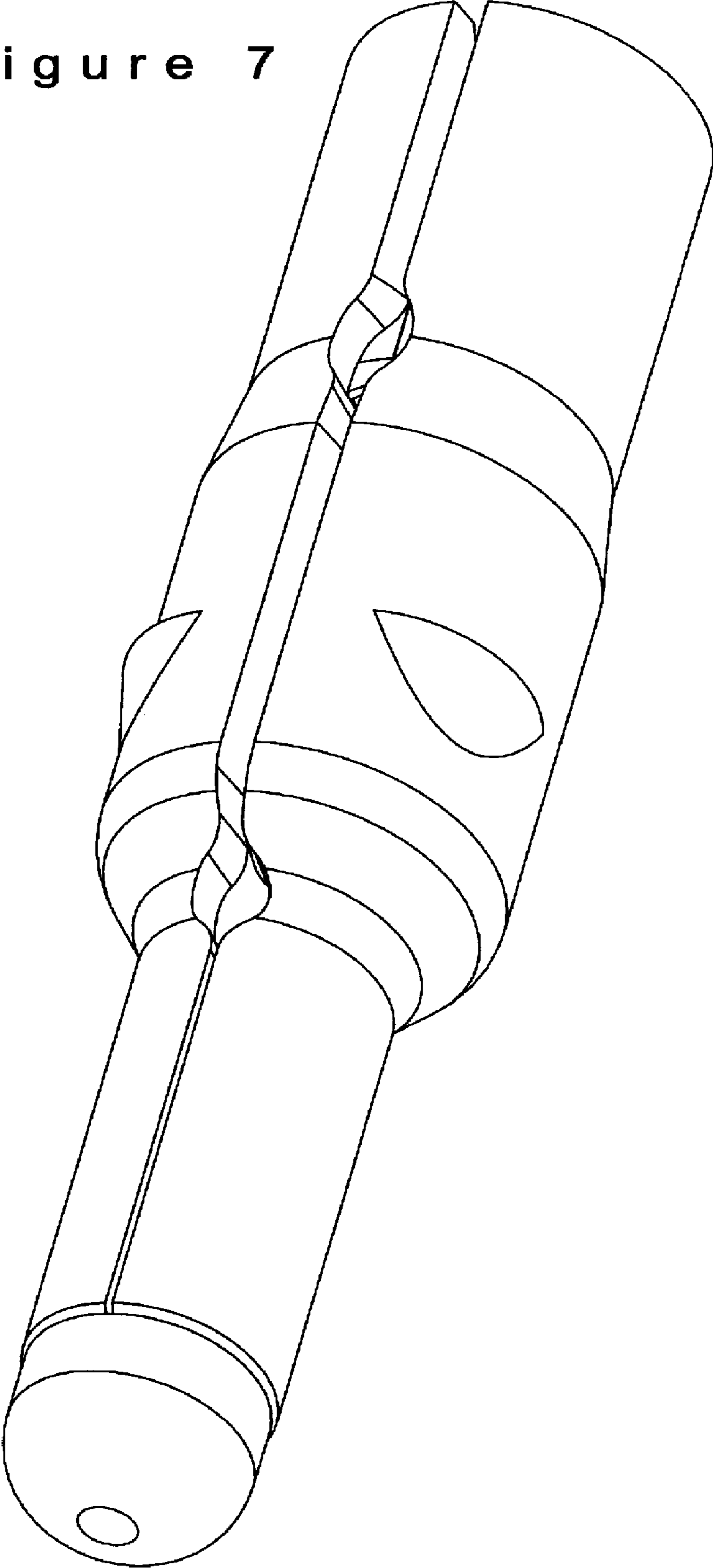


Figure 8

