

US00D596135S

(12) **United States Design Patent**
Sakamoto

(10) **Patent No.:** **US D596,135 S**
(45) **Date of Patent:** **** Jul. 14, 2009**

(54) **ELECTRICAL CONTACT**

(75) Inventor: **Tetsuma Sakamoto**, Tokyo (JP)

(73) Assignee: **Tyco Electronics AMP K.K.**,
Kanagawa-Ken (JP)

(**) Term: **14 Years**

(21) Appl. No.: **29/327,906**

(22) Filed: **Nov. 14, 2008**

(30) **Foreign Application Priority Data**

May 16, 2008 (JP) 2008-012219

(51) **LOC (9) Cl.** **13-03**

(52) **U.S. Cl.** **D13/154**

(58) **Field of Classification Search** D13/133,
D13/146-147, 154, 184; 439/578, 625, 675,
439/668-669, 732, 844, 851-852, 865-867,
439/872, 877, 884

See application file for complete search history.

(56) **References Cited**

U.S. PATENT DOCUMENTS

D372,222 S *	7/1996	Matthews	D13/154
D412,885 S *	8/1999	Toly	D13/154
D501,649 S *	2/2005	Yang et al.	D13/133
D566,653 S *	4/2008	Sakamoto	D13/133
D587,656 S *	3/2009	Shen et al.	D13/154

FOREIGN PATENT DOCUMENTS

JP	968560	11/1996
JP	D1093167	12/2000
JP	D124037	6/2005
JP	D1251048	9/2005
JP	D169829	5/2006

* cited by examiner

Primary Examiner—Daniel D Bui

(74) *Attorney, Agent, or Firm*—Barley Snyder LLC

(57) **CLAIM**

The ornamental design for an electrical contact, as shown and described.

DESCRIPTION

FIG. 1 is a front elevation view of an electrical contact, showing my new design;

FIG. 2 is a top plan view thereof;

FIG. 3 is a bottom plan view thereof;

FIG. 4 is a right side elevation view thereof;

FIG. 5 is a rear elevation view thereof;

FIG. 6 is a cross sectional view thereof; taken along line 6—6 in FIG. 1 thereof;

FIG. 7 is a top, front and right side perspective view thereof; and,

FIG. 8 is a bottom, rear and left side view thereof.

1 Claim, 8 Drawing Sheets

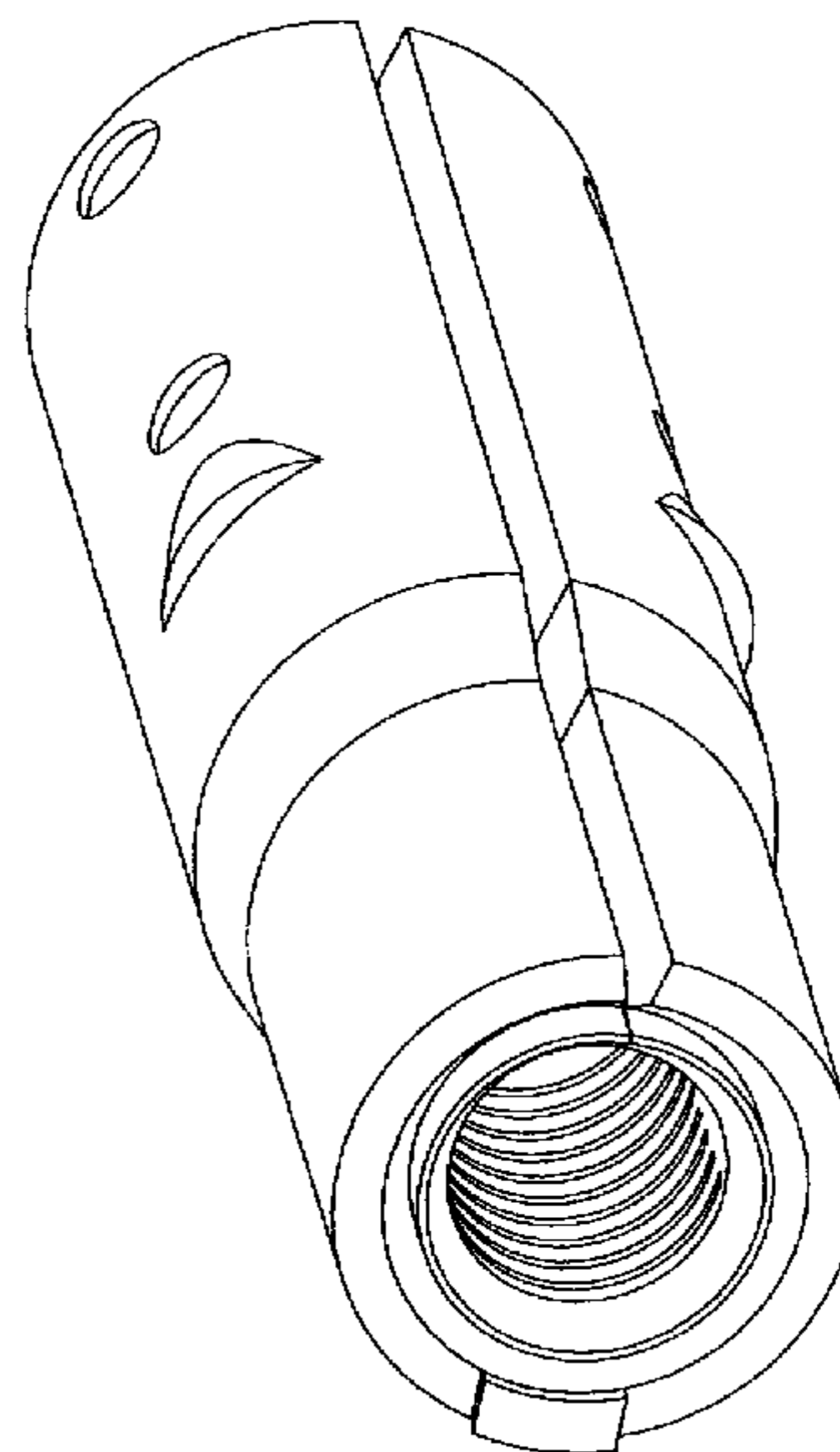
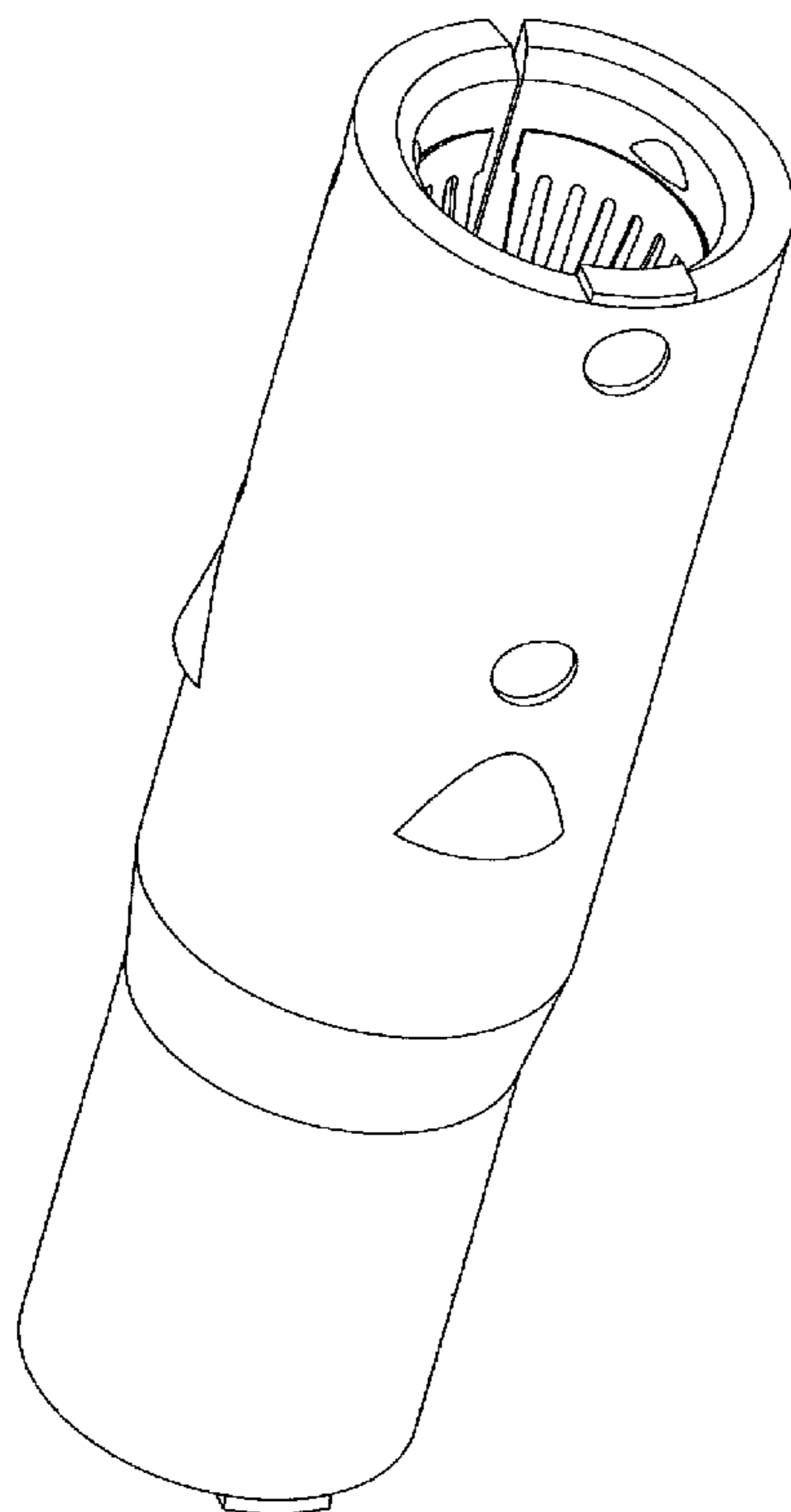


Fig. 1

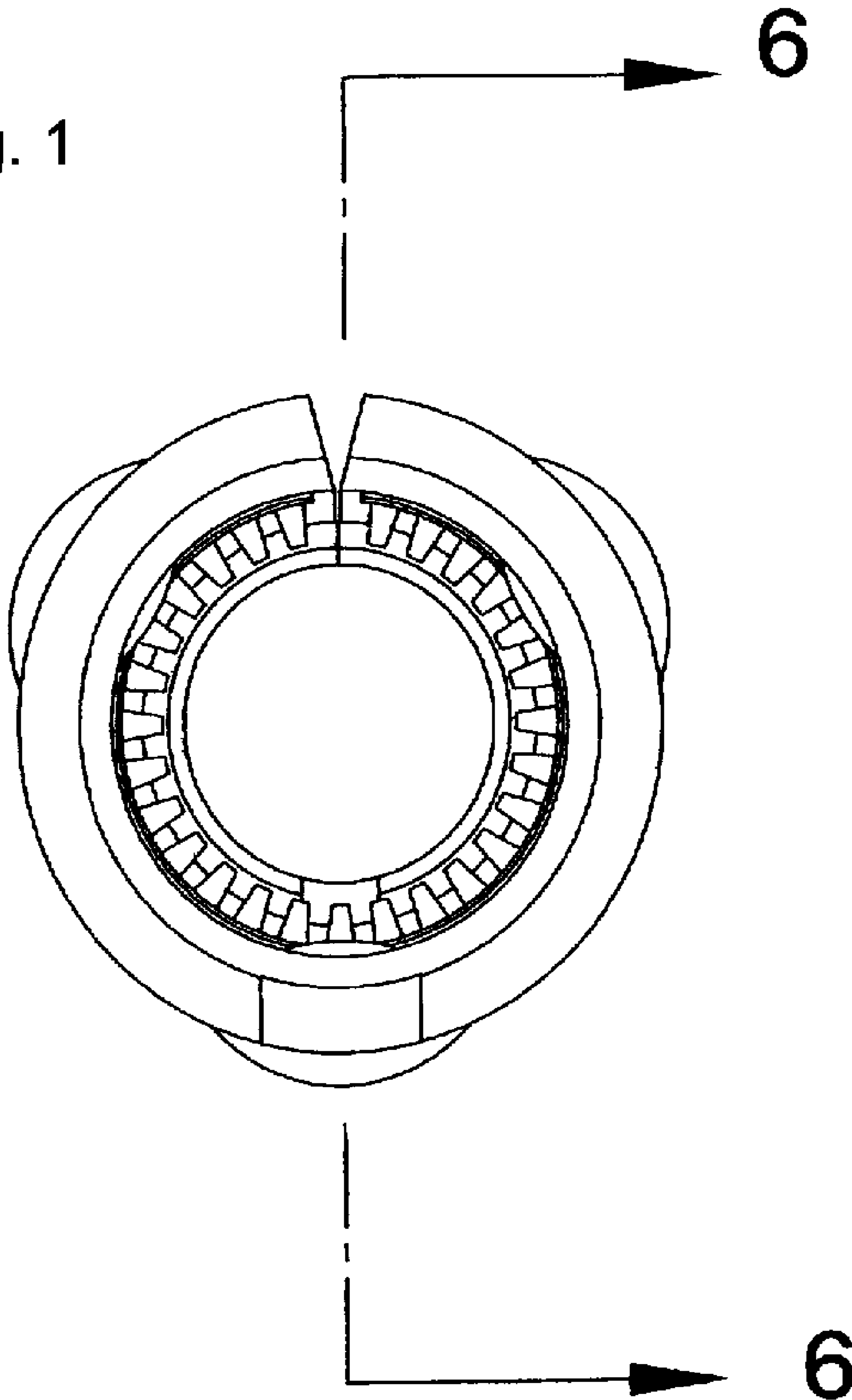


Fig. 2

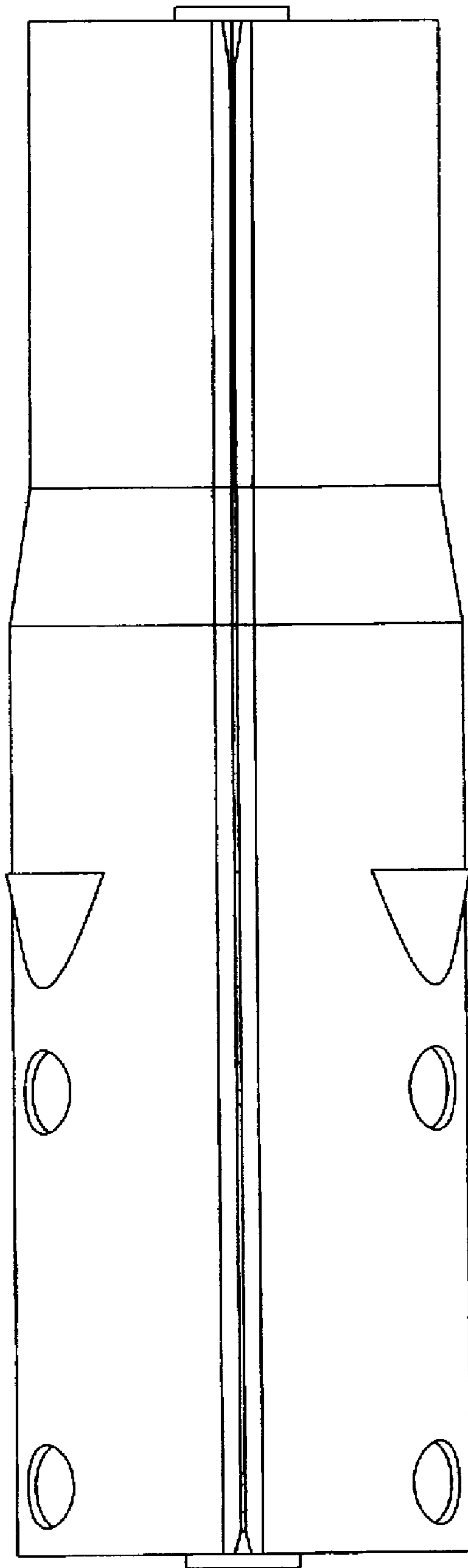


Fig. 3

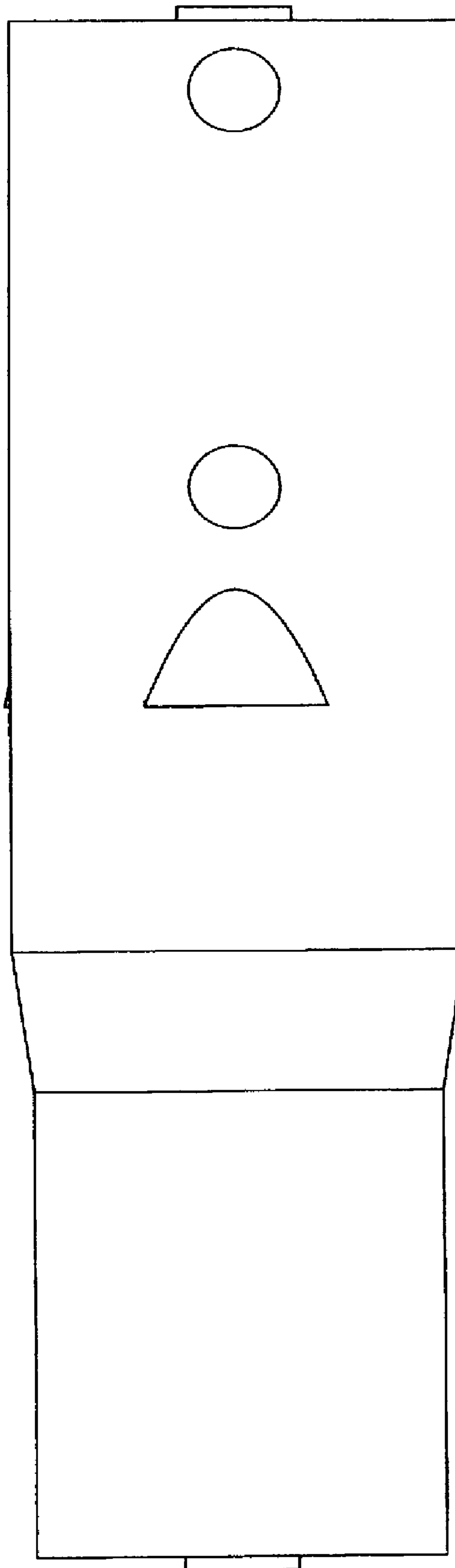


Fig. 4

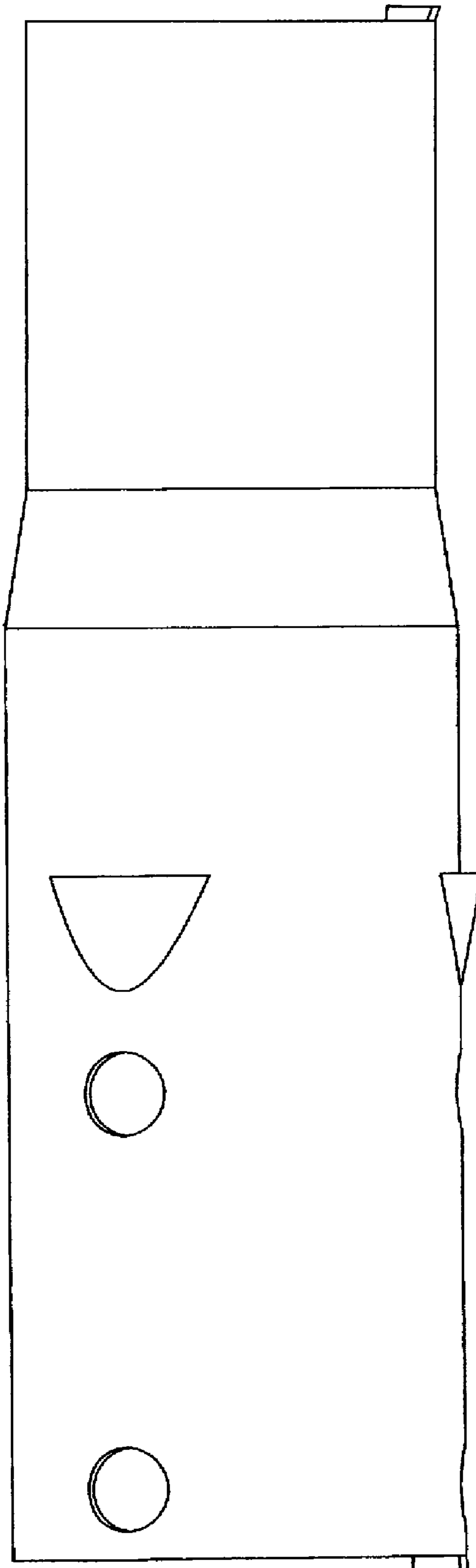


Fig. 5

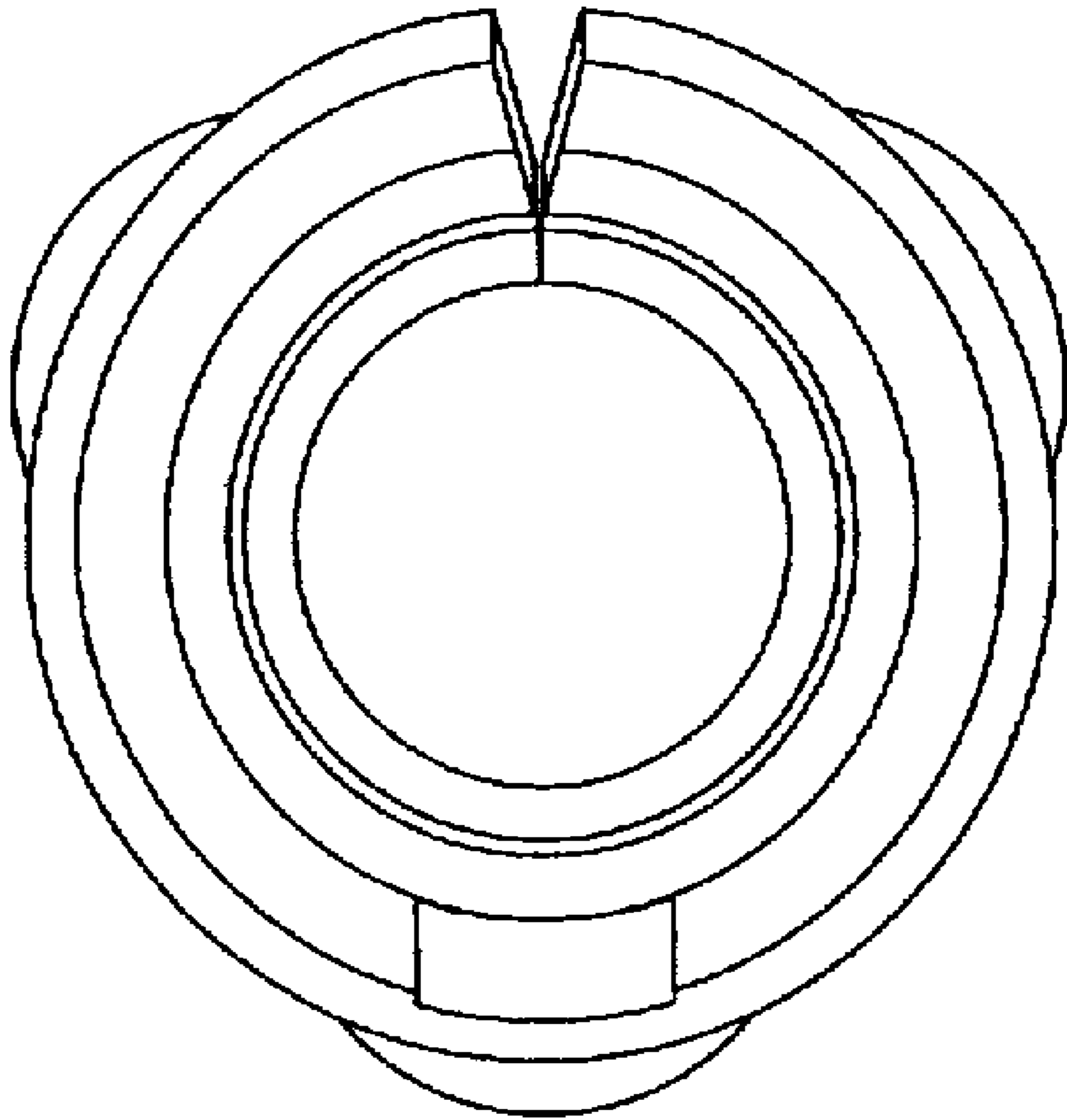


Fig. 6

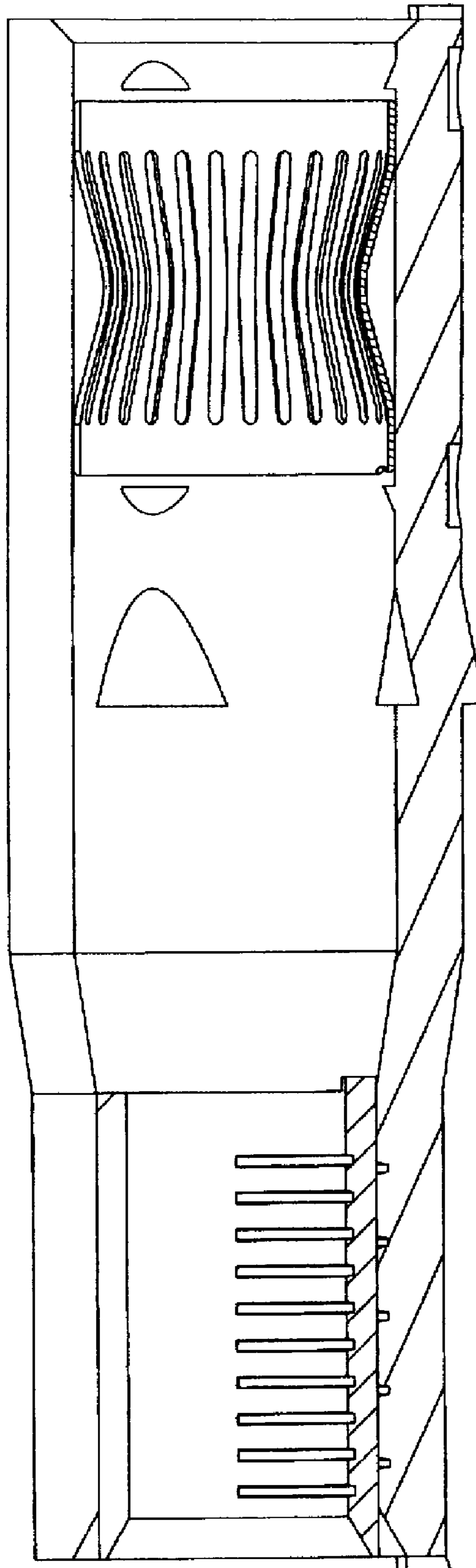


Fig. 7

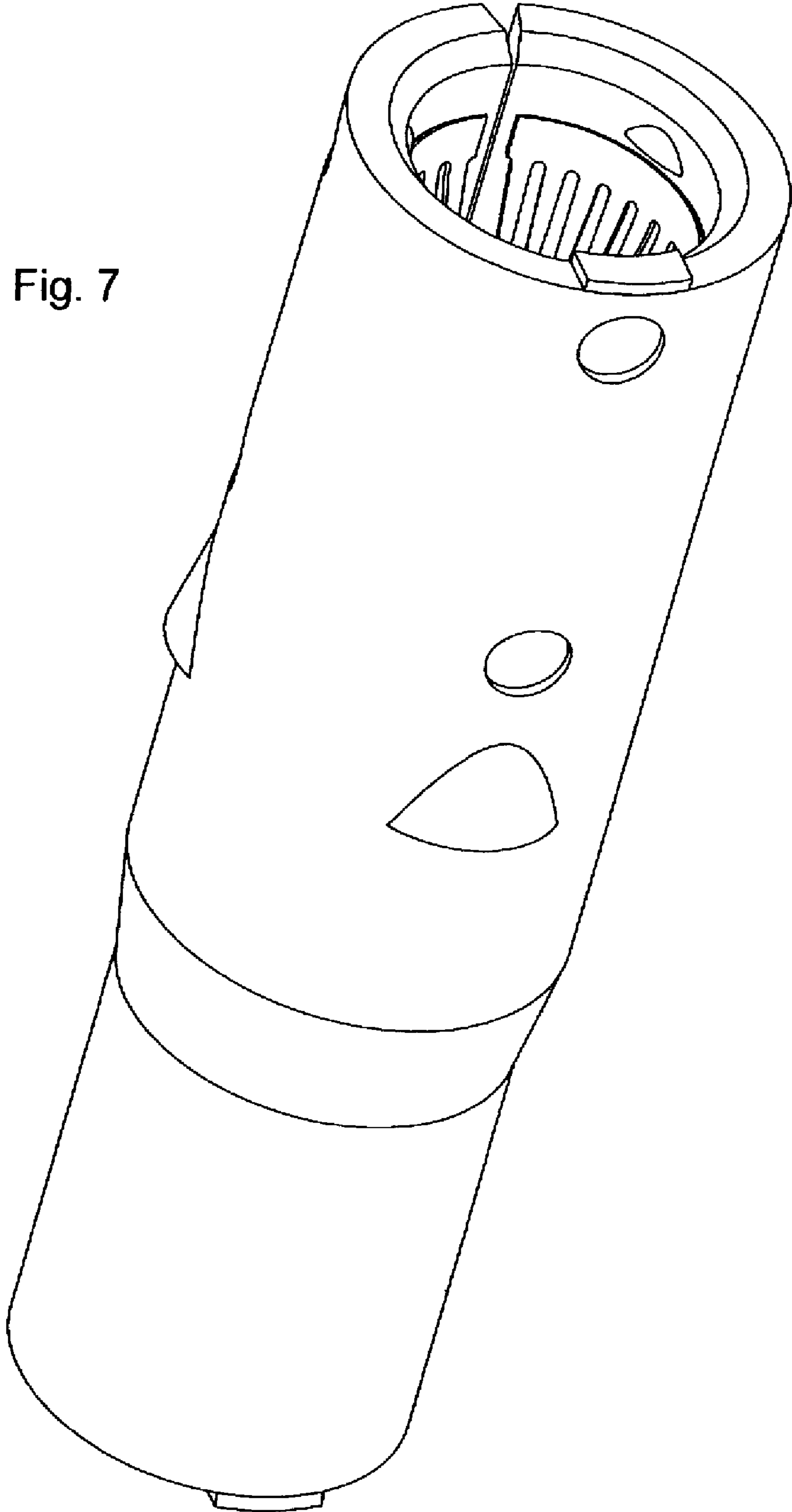


Fig. 8

