



US00D596134S

(12) **United States Design Patent**  
**Yu**

(10) **Patent No.:** **US D596,134 S**  
(45) **Date of Patent:** **\*\* Jul. 14, 2009**

(54) **CONNECTOR CONTACT**

(75) Inventor: **Sheng Nan Yu**, Tu-Cheng (TW)

(73) Assignee: **Cheng Uei Precision Industry Co., Ltd.**, Taipei Hsien (TW)

(\*\*) Term: **14 Years**

(21) Appl. No.: **29/309,852**

(22) Filed: **Oct. 28, 2008**

(51) **LOC (9) Cl.** ..... **13-03**

(52) **U.S. Cl.** ..... **D13/154**

(58) **Field of Classification Search** ..... D13/133,  
D13/146-147, 154, 184; 439/834, 845, 849-850,  
439/862, 884-885, 887

See application file for complete search history.

(56) **References Cited**

**U.S. PATENT DOCUMENTS**

D553,086 S *	10/2007	Peng et al.	.....	D13/133
D568,247 S *	5/2008	Ho et al.	.....	D13/133
7,435,122 B2 *	10/2008	Suzuki et al.	.....	439/260
7,448,893 B2 *	11/2008	Suzuki	.....	439/260

\* cited by examiner

*Primary Examiner*—Daniel D Bui

(74) *Attorney, Agent, or Firm*—Rosenberg, Klein & Lee

(57) **CLAIM**

The ornamental design for a connector contact, as shown and described.

**DESCRIPTION**

FIG. 1 is a perspective view of a connector contact showing my new design;

FIG. 2 is a front elevational view thereof;

FIG. 3 is a rear elevational view thereof;

FIG. 4 is a left side elevational view thereof;

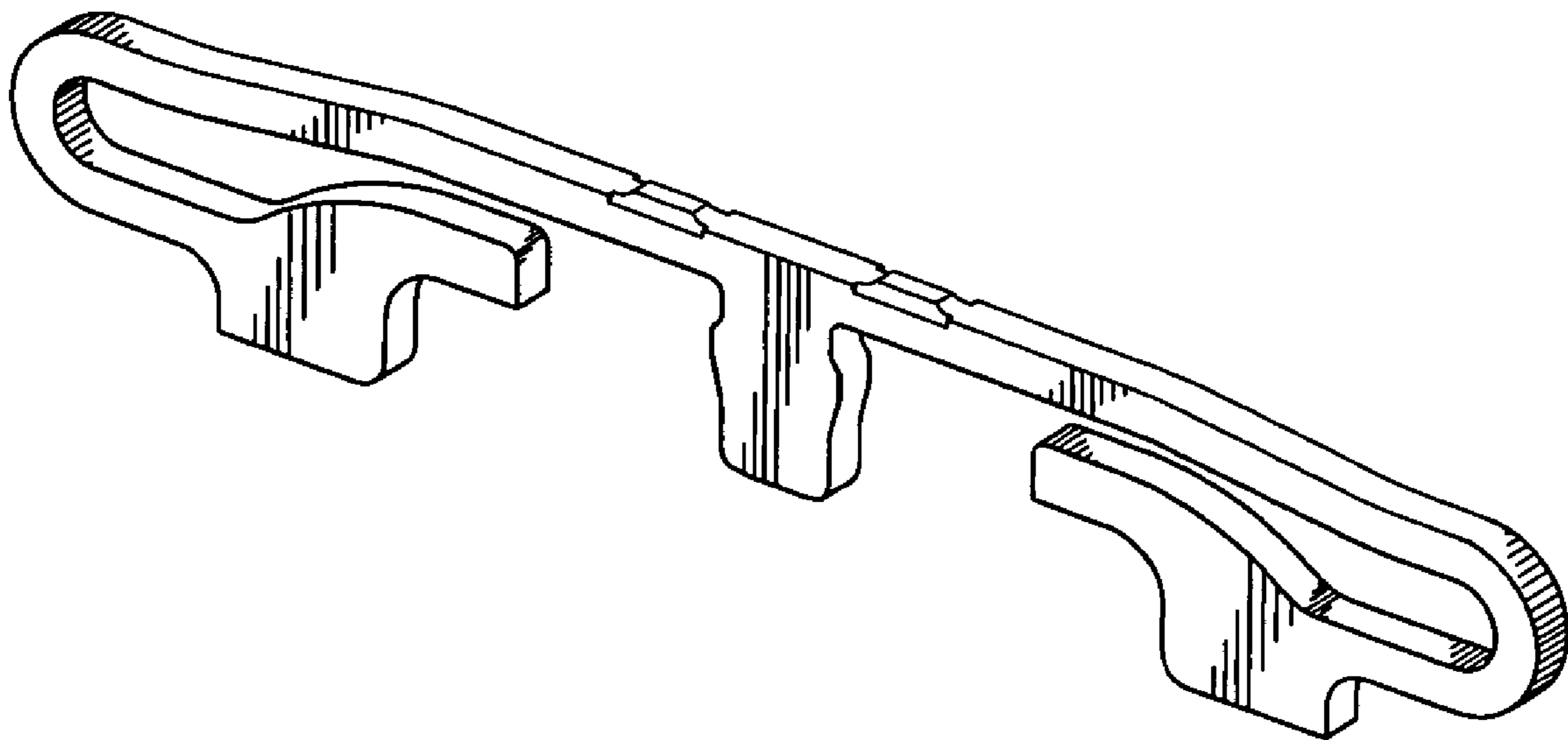
FIG. 5 is a right side elevational view thereof;

FIG. 6 is a top plan view thereof;

FIG. 7 is a bottom plan view thereof; and,

FIG. 8 is another perspective view of the connector contact showing our new design.

**1 Claim, 8 Drawing Sheets**



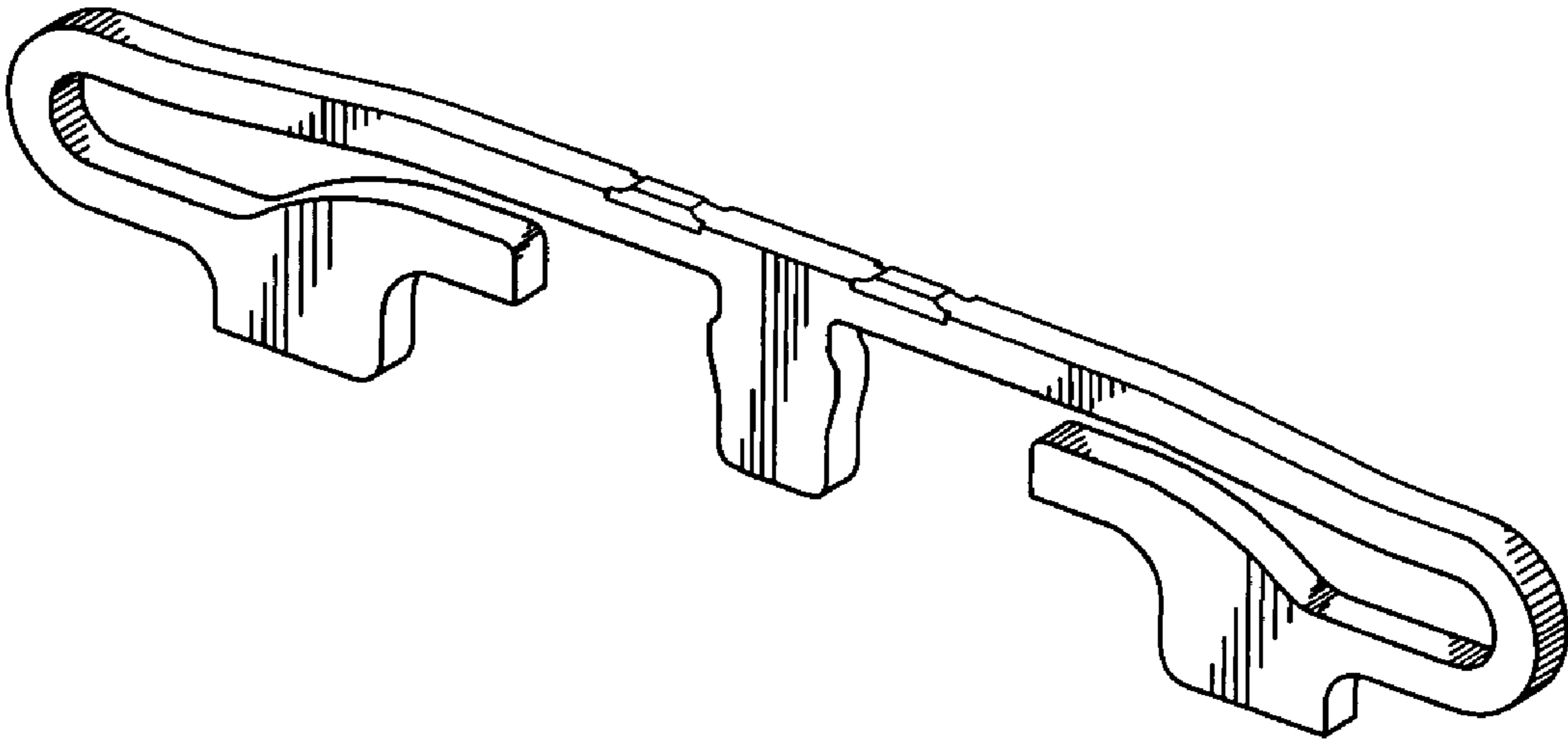


FIG. 1

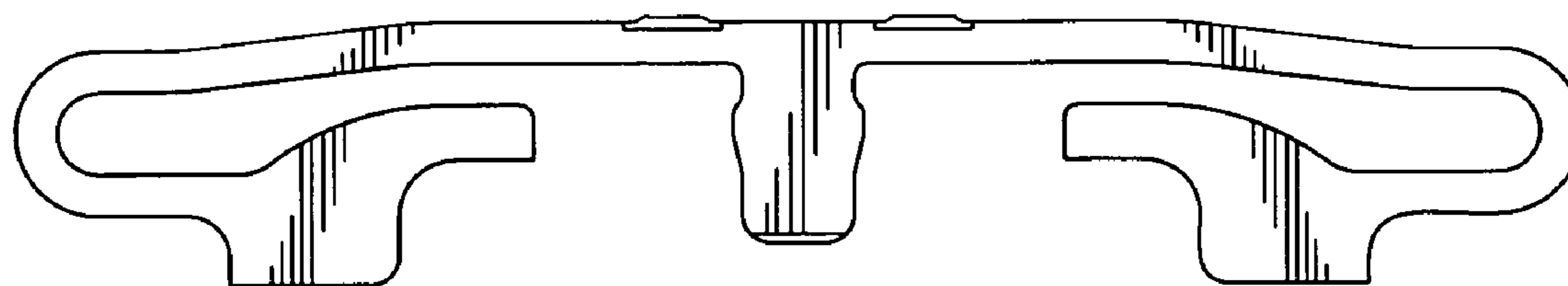


FIG. 2

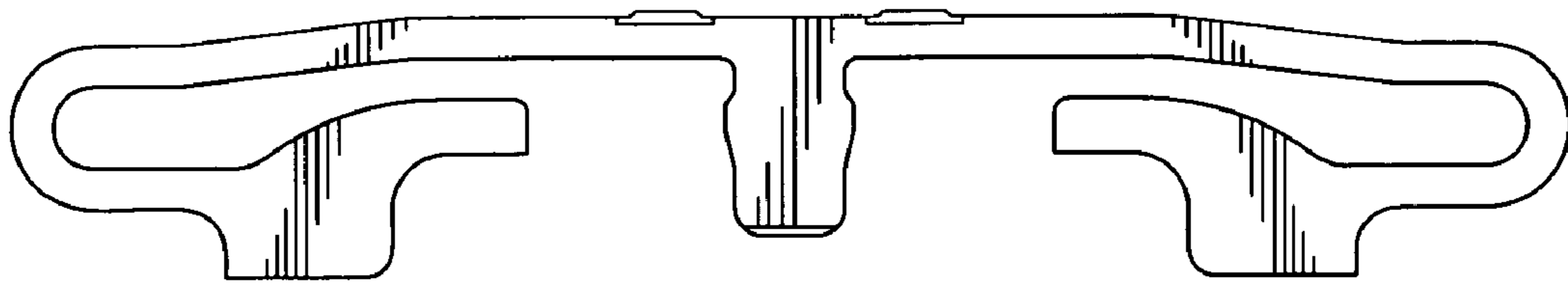


FIG. 3

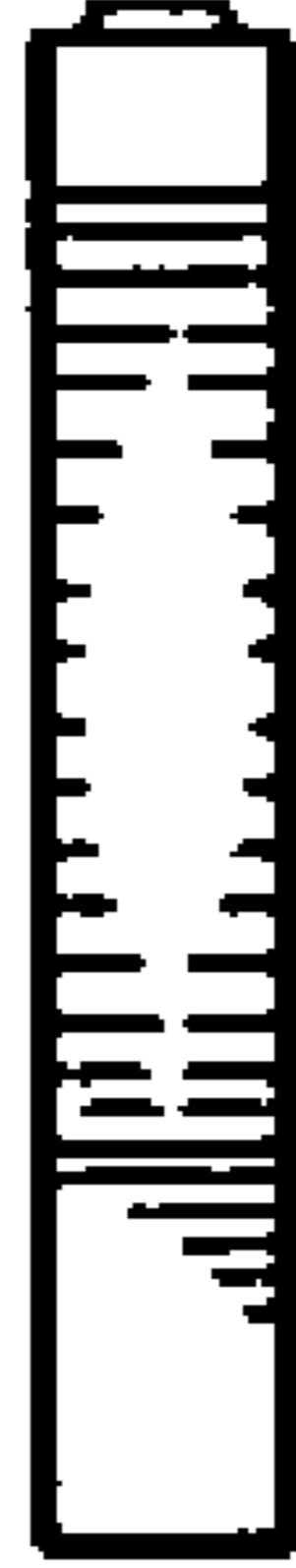


FIG. 4

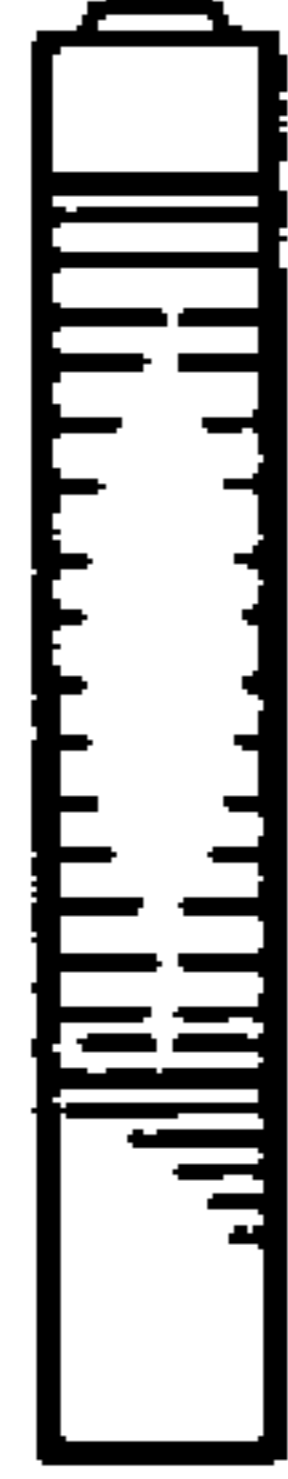


FIG. 5

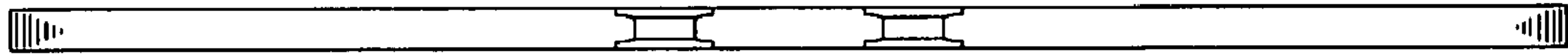


FIG. 6

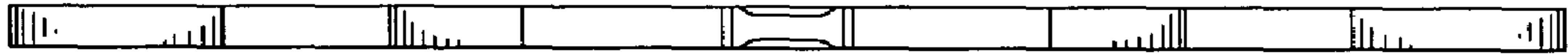


FIG. 7



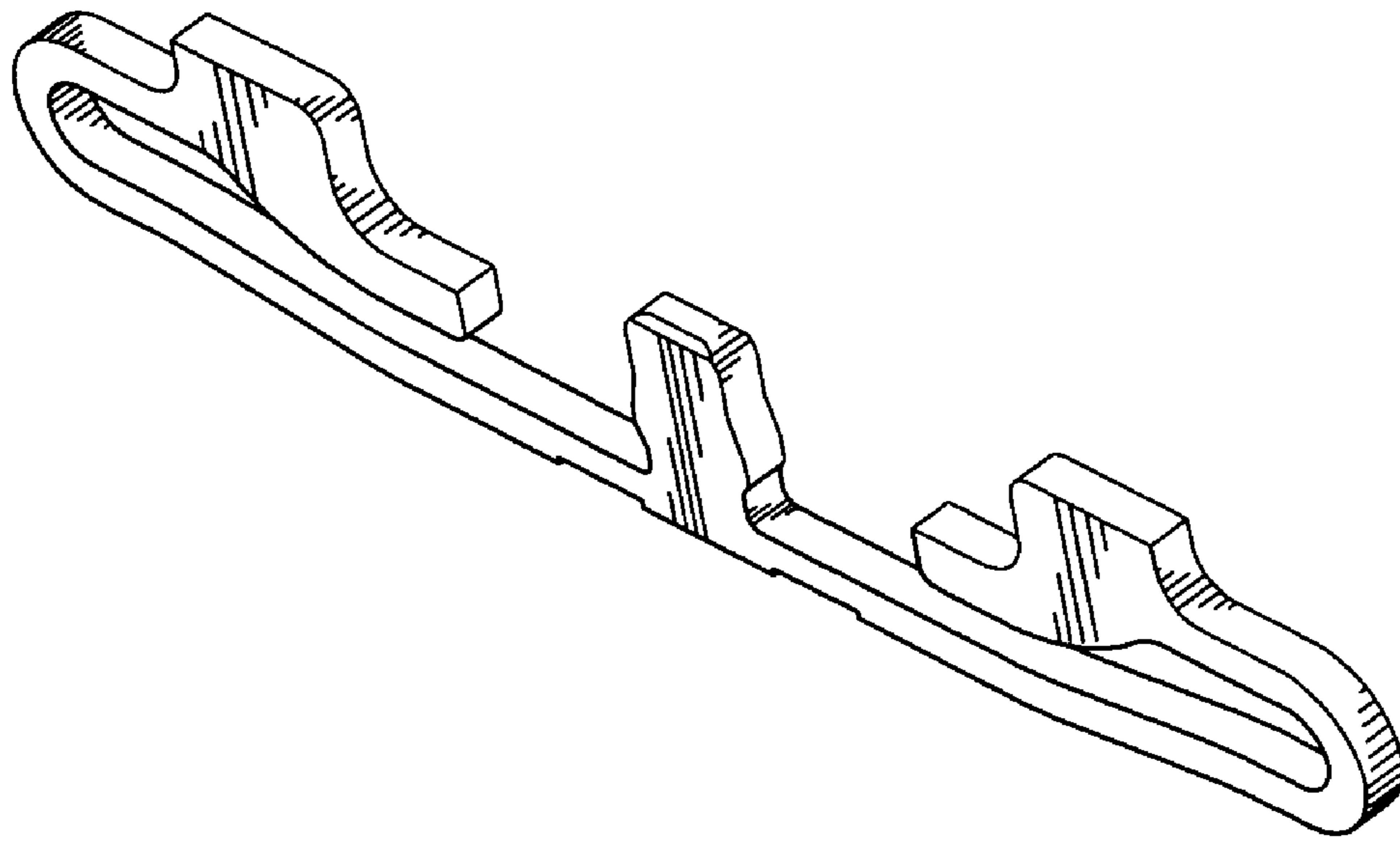


FIG. 8