



US00D596132S

(12) **United States Design Patent**  
**Matoba**

(10) **Patent No.:** **US D596,132 S**  
(45) **Date of Patent:** **\*\* Jul. 14, 2009**

(54) **CONNECTOR PIN**

(75) Inventor: **Masato Matoba**, Kyoto (JP)

(73) Assignee: **Omron Corporation**, Kyoto (JP)

(\*\*) Term: **14 Years**

(21) Appl. No.: **29/287,752**

(22) Filed: **Sep. 14, 2007**

(30) **Foreign Application Priority Data**

Mar. 19, 2007 (JP) ..... D 2007-006889

(51) **LOC (9) Cl.** ..... **13-03**

(52) **U.S. Cl.** ..... **D13/154**

(58) **Field of Classification Search** ..... D13/133,  
D13/146, 147, 154, 184; 439/834, 845, 849-850,  
439/862, 884-885, 887

See application file for complete search history.

(56) **References Cited**

**U.S. PATENT DOCUMENTS**

D504,665 S \* 5/2005 Lai et al. .... D13/154

D568,247 S \* 5/2008 Ho et al. .... D13/133

7,435,122 B2 \* 10/2008 Suzuki et al. .... 439/260

7,452,227 B2 \* 11/2008 Matoba et al. .... 439/260

\* cited by examiner

*Primary Examiner*—Daniel D Bui

(74) *Attorney, Agent, or Firm*—Harness, Dickey & Pierce,  
P.L.C.

(57) **CLAIM**

The ornamental design for a connector pin, as shown and described.

**DESCRIPTION**

FIG. 1 is a top, front and left perspective view of a connector pin showing my new design;

FIG. 2 is a bottom, rear and left perspective view thereof;

FIG. 3 is a front elevational view thereof;

FIG. 4 is a rear elevational view thereof;

FIG. 5 is a top plan view thereof;

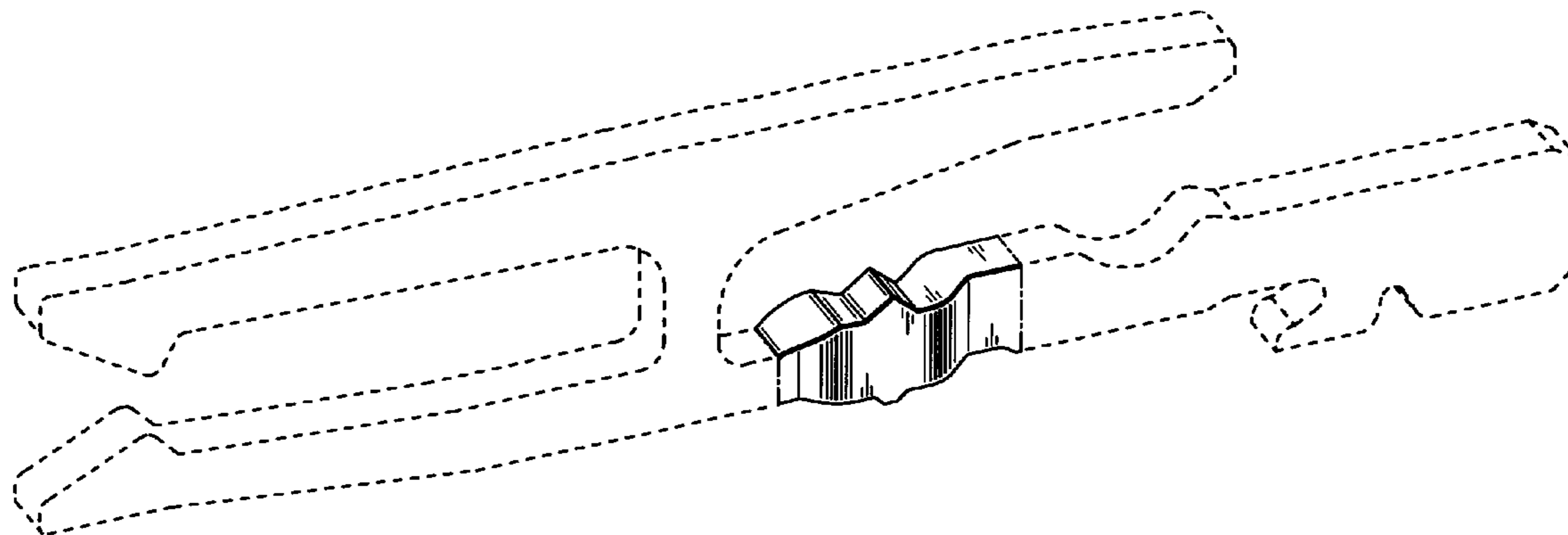
FIG. 6 is a bottom plan view thereof;

FIG. 7 is a left side view thereof; and,

FIG. 8 is a right side view thereof.

In the drawings, the dash-dot line represents the boundary of the claimed design, the broken line represents unclaimed subject matter only and forms no part of the claimed design.

**1 Claim, 4 Drawing Sheets**



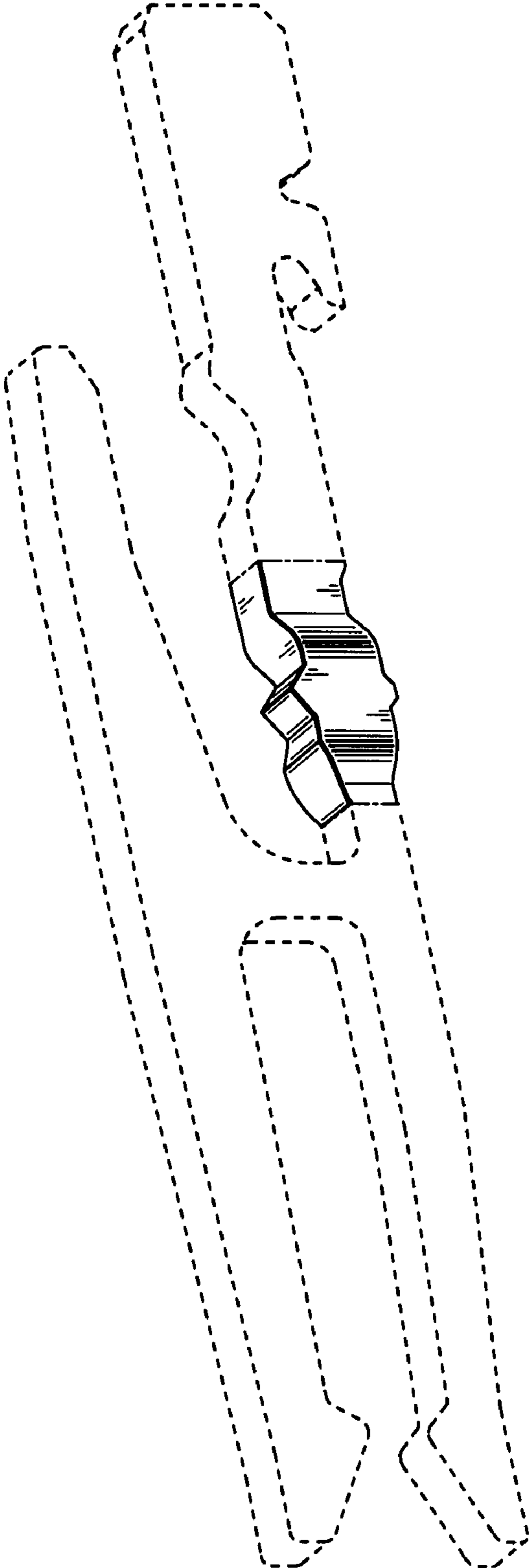


Fig. 1

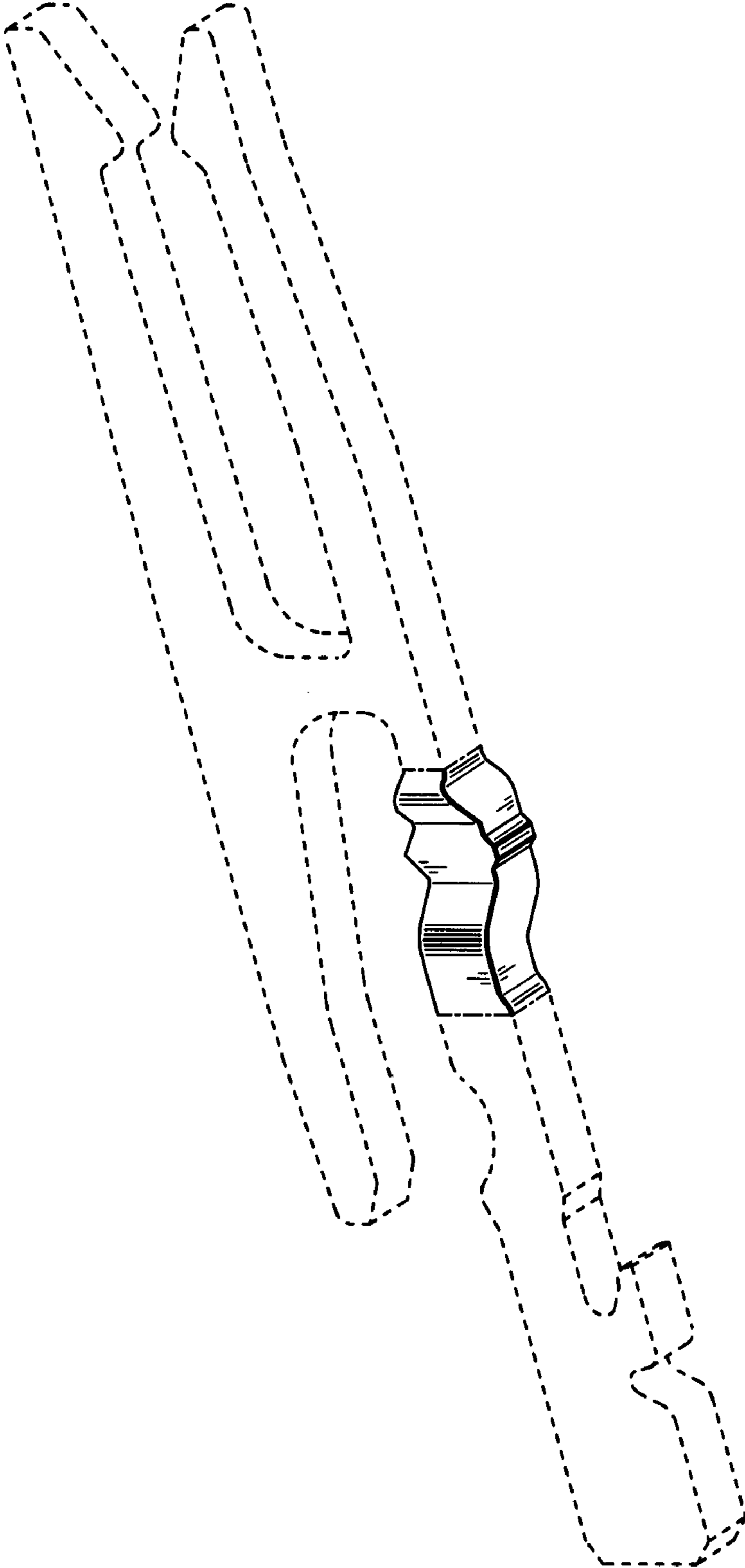


Fig. 2

Fig. 3

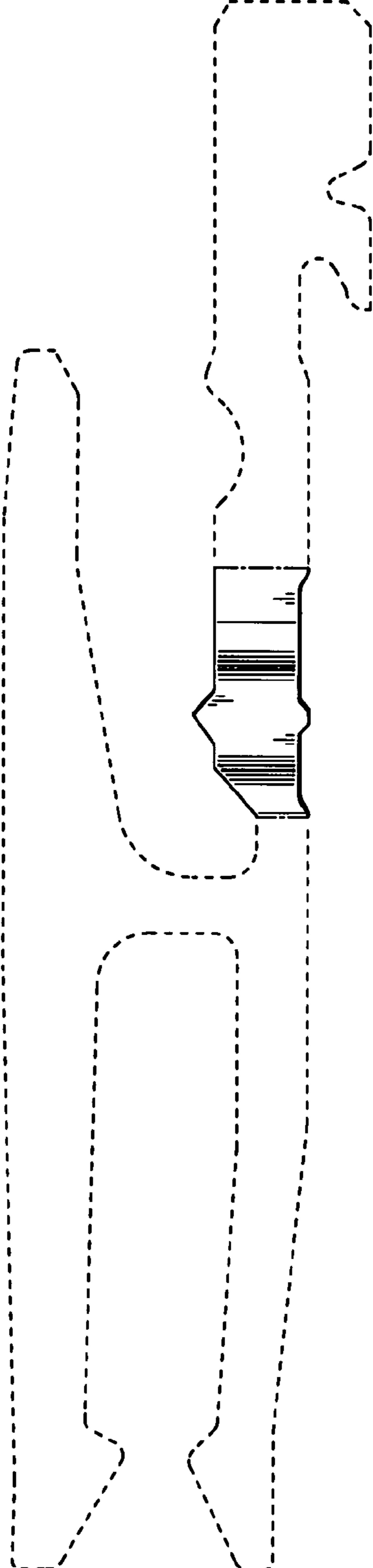


Fig. 4

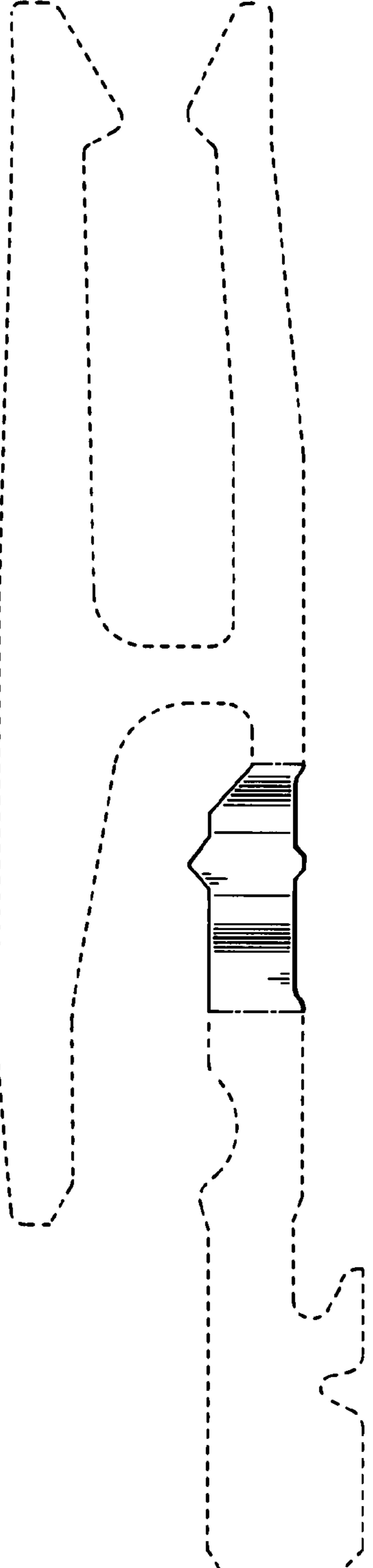


Fig. 5

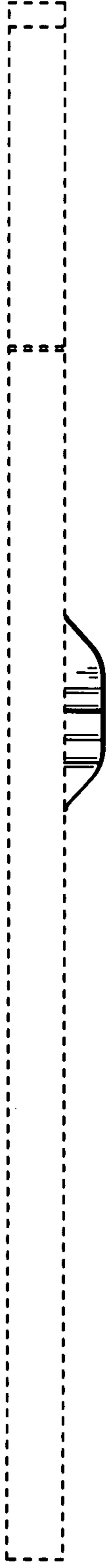


Fig. 6



Fig. 7

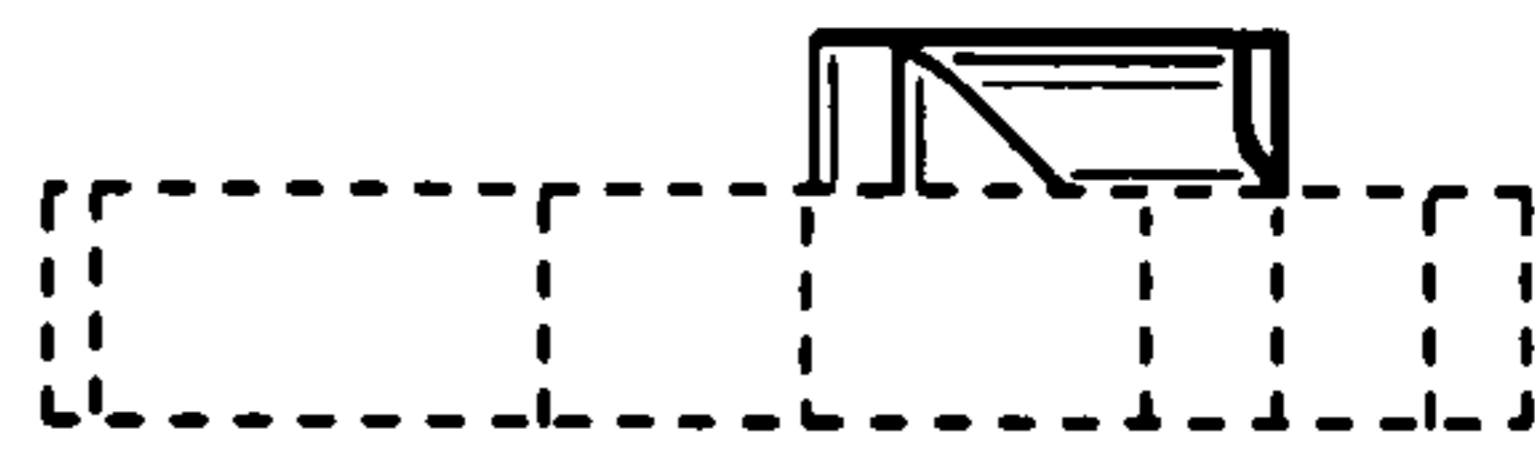


Fig. 8

