



US00D596129S

(12) **United States Design Patent**
Huang et al.

(10) **Patent No.:** **US D596,129 S**

(45) **Date of Patent:** **** Jul. 14, 2009**

(54) **CONNECTOR**

D576,949 S * 9/2008 Shen et al. D13/133

(75) Inventors: **Sheng Yuan Huang**, Tu-Cheng (TW);
Yung Chi Peng, Tu-Cheng (TW)

* cited by examiner

Primary Examiner—Daniel D Bui

(73) Assignee: **Cheng Uei Precision Industry Co., Ltd.**, Taipei Hsien (TW)

(74) *Attorney, Agent, or Firm*—Rosenberg, Klein & Lee

(**) Term: **14 Years**

(57) **CLAIM**

(21) Appl. No.: **29/309,208**

The ornamental design for a connector, as shown and described.

(22) Filed: **Jul. 8, 2008**

DESCRIPTION

(51) **LOC (9) Cl.** **13-03**

FIG. 1 is a perspective view of a connector showing our new design;

(52) **U.S. Cl.** **D13/147**

FIG. 2 is a front elevational view thereof;

(58) **Field of Classification Search** D13/147,
D13/154, 184; 439/354, 357–358, 374, 567,
439/607–610, 656, 676, 680

FIG. 3 is a rear elevational view thereof;

FIG. 4 is a left side elevational view thereof;

See application file for complete search history.

FIG. 5 is a right side elevational view thereof;

FIG. 6 is a top plan view thereof;

(56) **References Cited**

U.S. PATENT DOCUMENTS

FIG. 7 is a bottom plan view thereof; and,

FIG. 8 is another perspective view of the connector showing our new design.

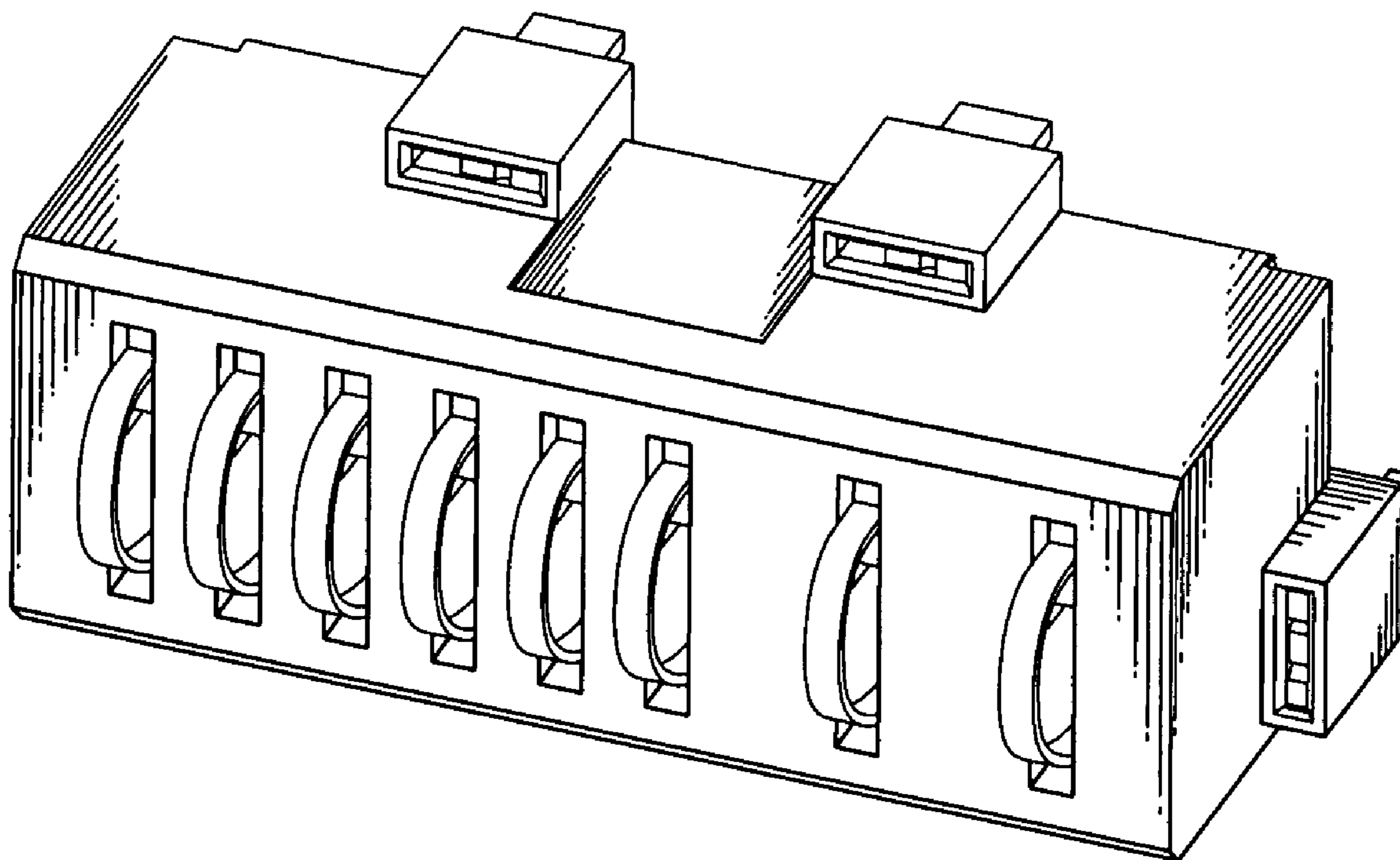
D529,443 S * 10/2006 Chien D13/147

D557,212 S * 12/2007 Huang et al. D13/120

D561,098 S * 2/2008 Kobayashi et al. D13/120

D570,785 S * 6/2008 Shen et al. D13/147

1 Claim, 8 Drawing Sheets



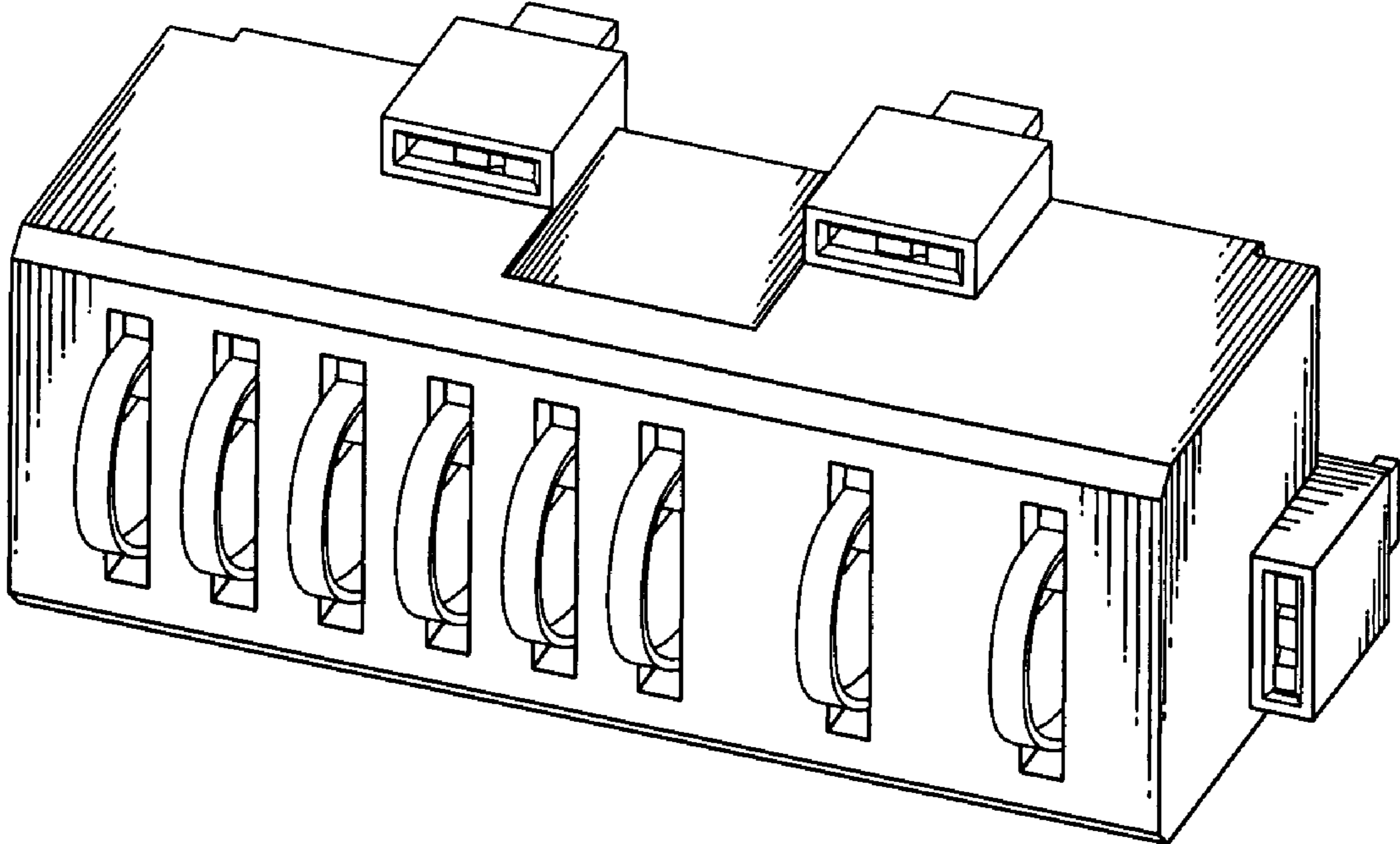


FIG. 1

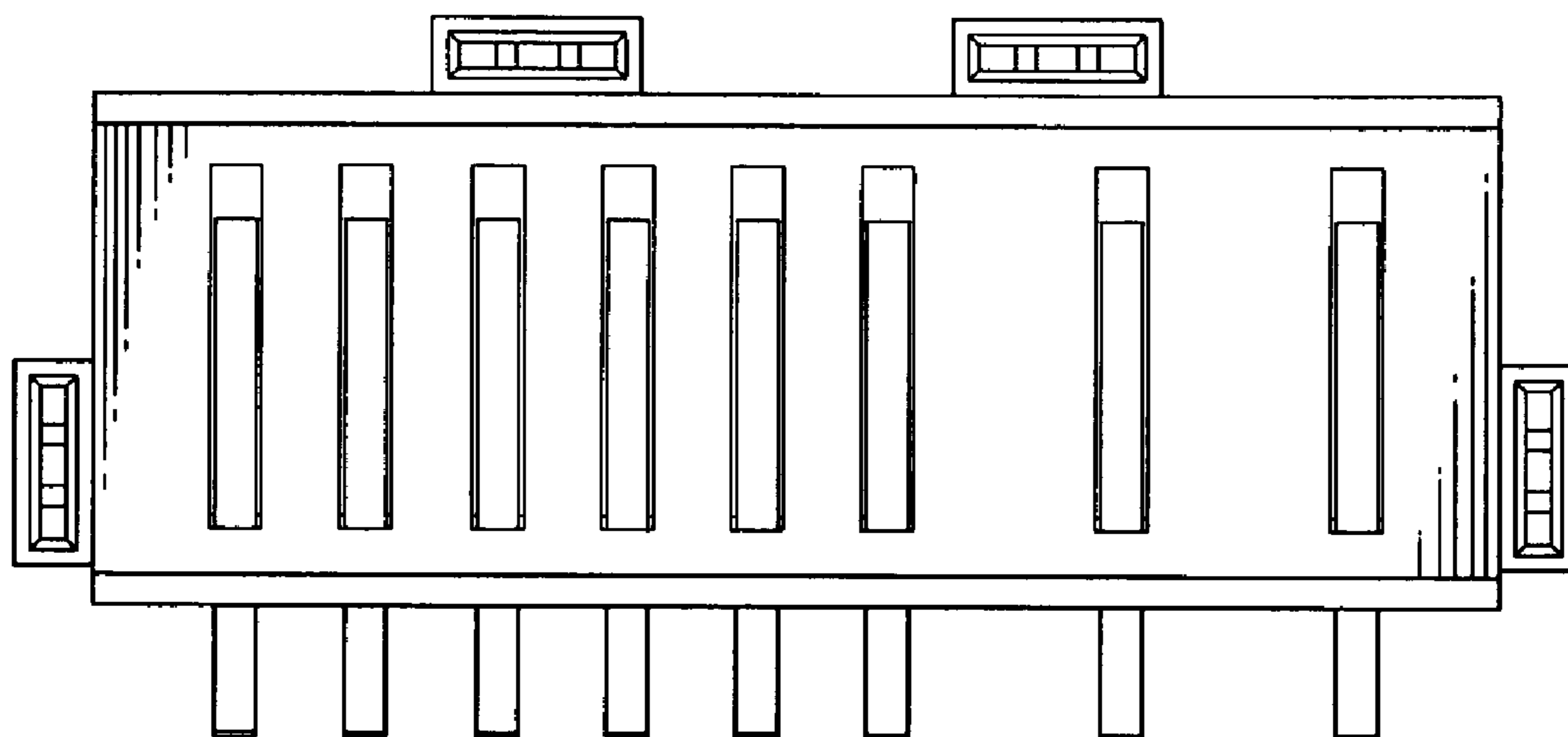


FIG. 2

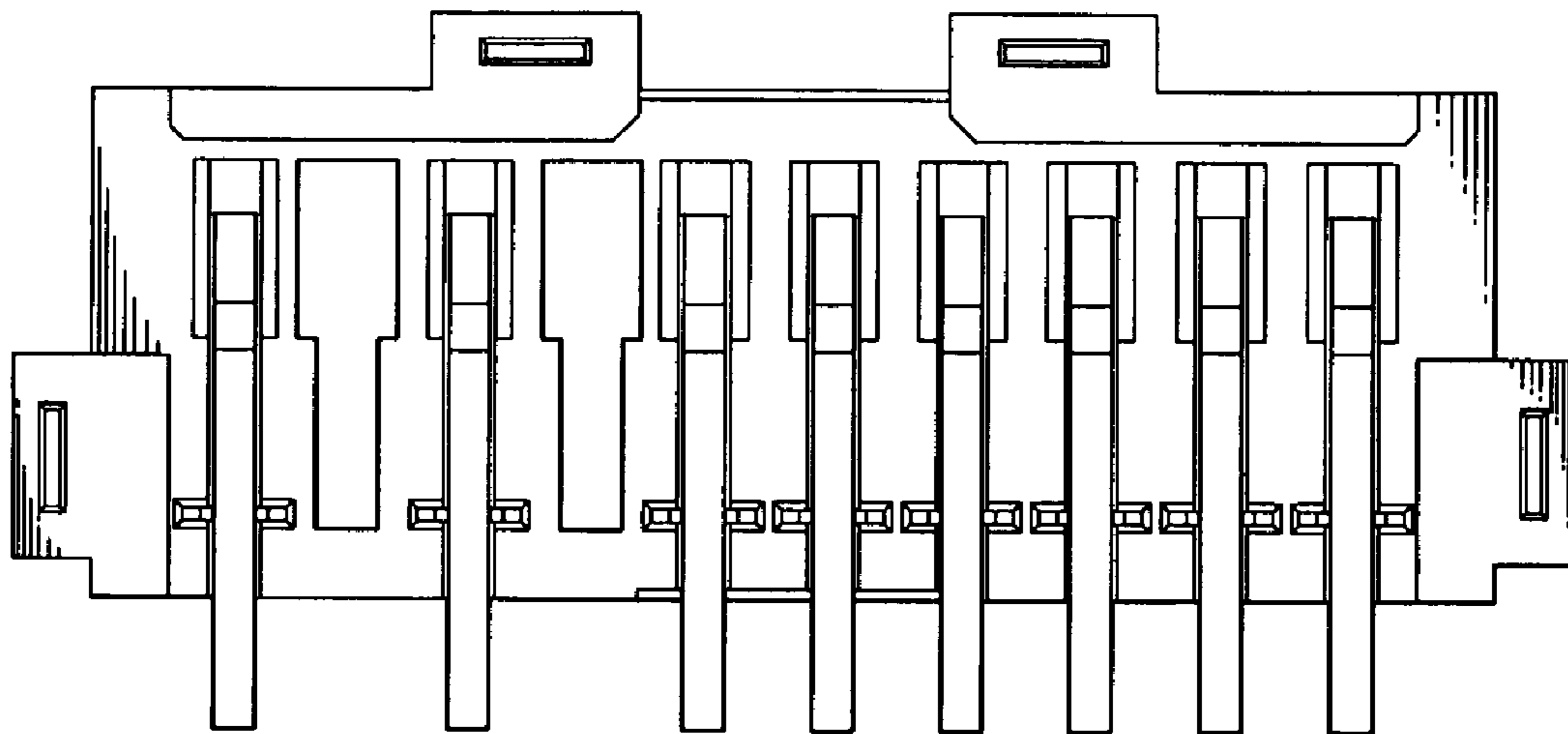


FIG. 3

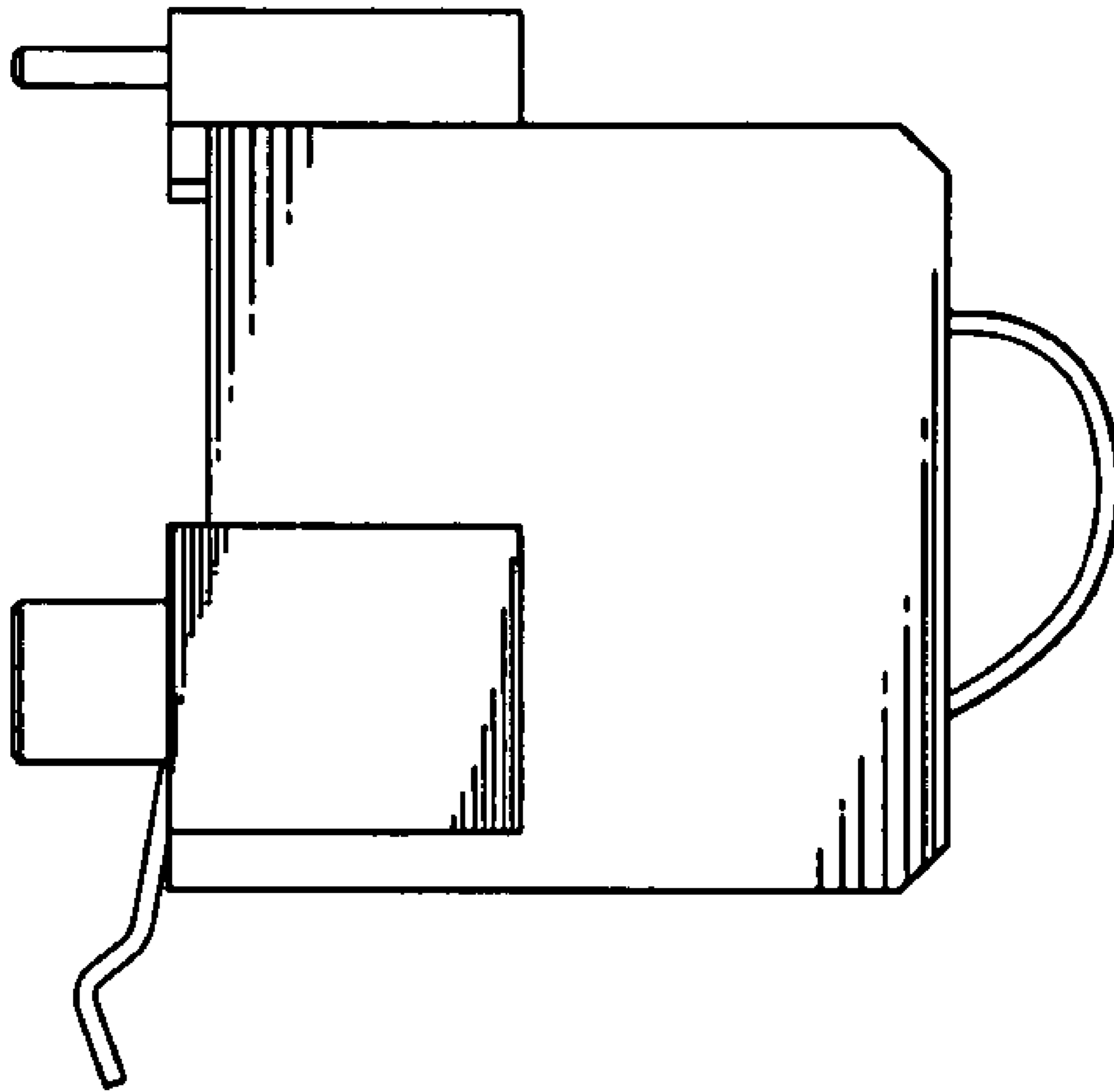


FIG. 4

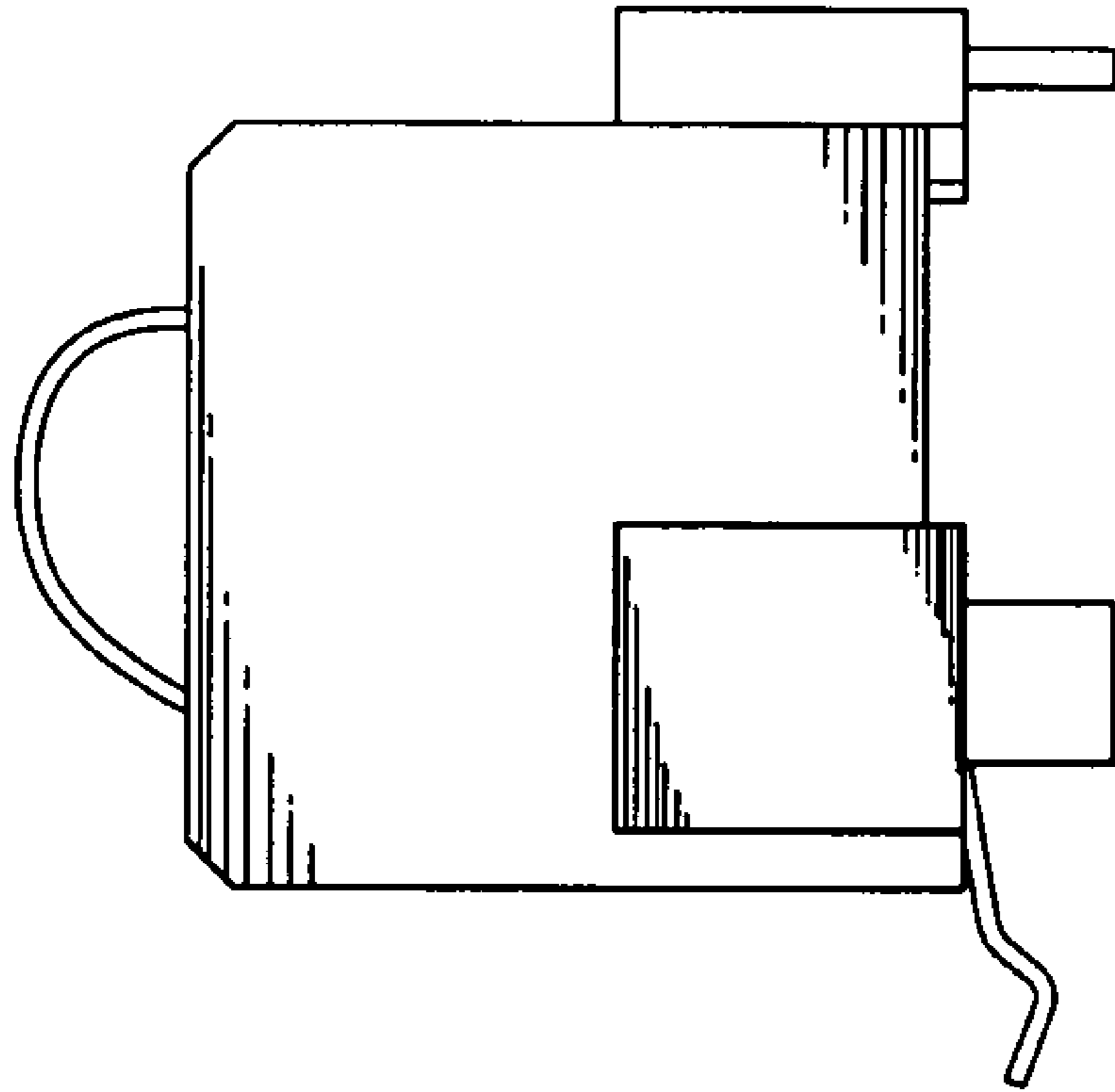


FIG. 5

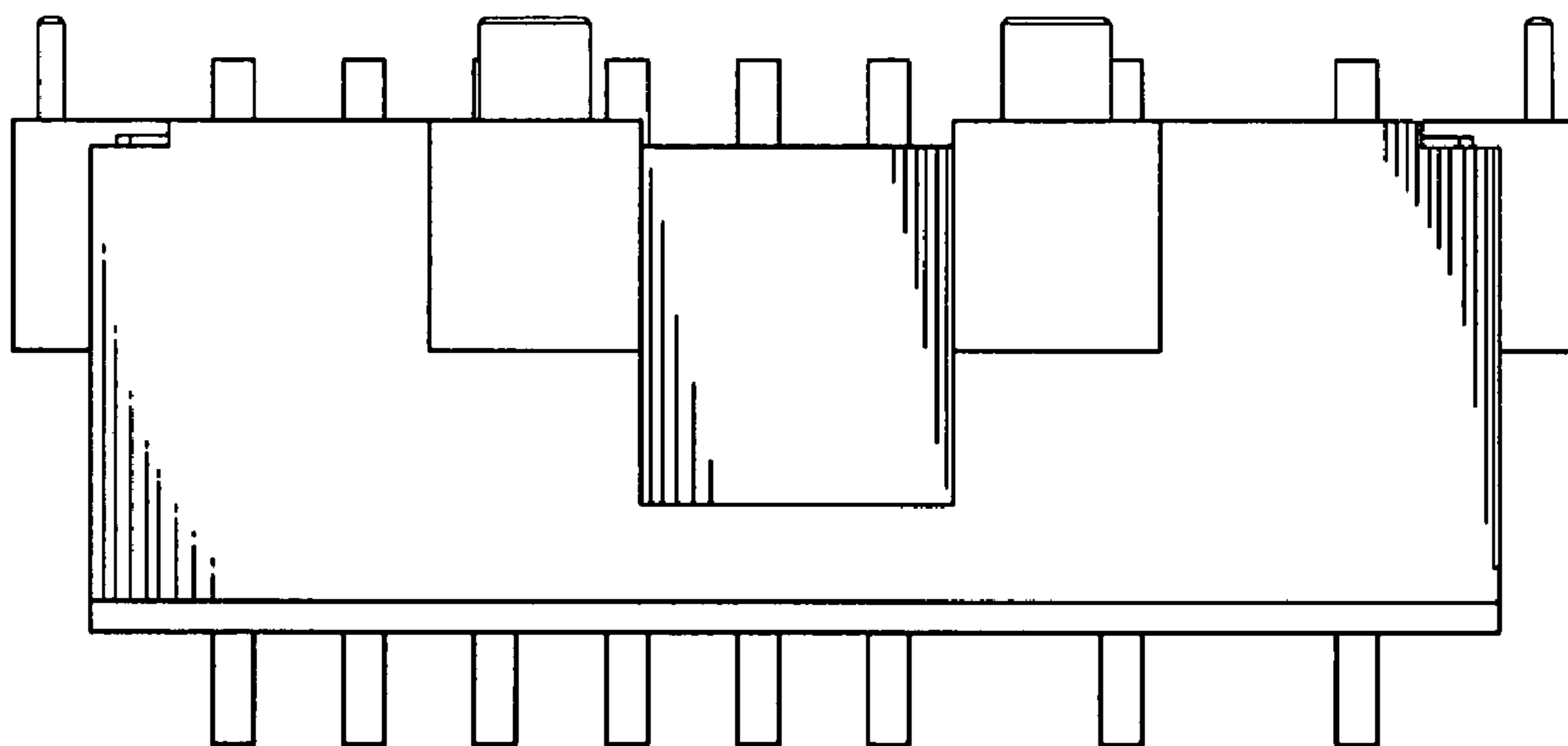


FIG. 6

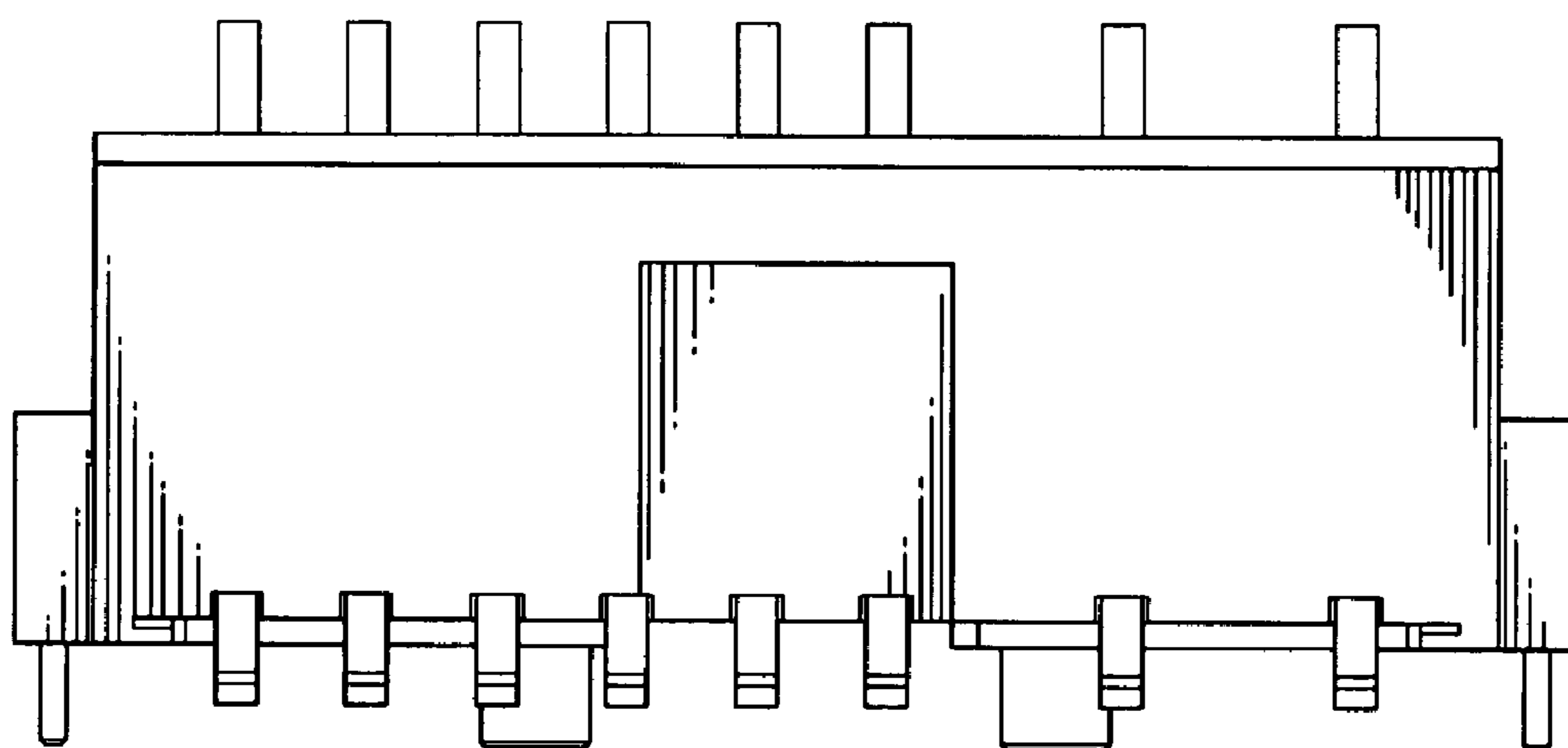


FIG. 7

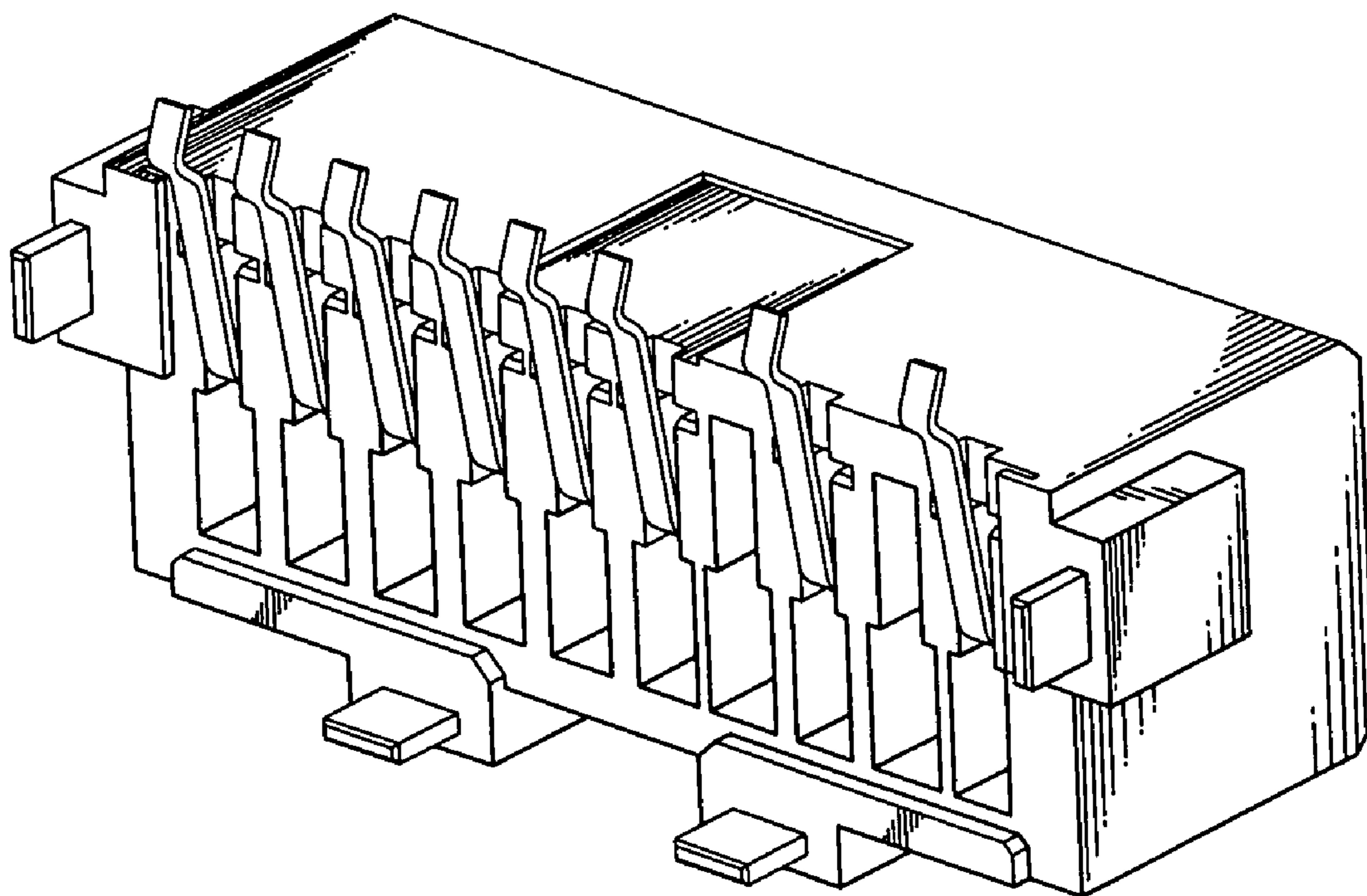


FIG. 8