



US00D596126S

(12) **United States Design Patent**
Norin et al.

(10) **Patent No.:** **US D596,126 S**
(45) **Date of Patent:** **** Jul. 14, 2009**

(54) **FEMALE ELECTRICAL CONNECTOR COMPONENT**

(75) Inventors: **Joakim Norin**, Stockholm (SE); **Tor Magnusson**, Stockholm (SE)

(73) Assignee: **CTEK Sweden AB**, Vikmanshyttan (SE)

(**) Term: **14 Years**

(21) Appl. No.: **29/317,233**

(22) Filed: **Apr. 24, 2008**

(51) **LOC (9) Cl.** **13-03**

(52) **U.S. Cl.** **D13/133**

(58) **Field of Classification Search** D13/101,
D13/107, 108, 110, 114, 118, 133, 146, 147,
D13/153, 154, 199; 320/110–115; 362/427,
362/404, 406, 804, 287; 363/146; 336/92;
439/489, 502, 505, 578, 607–610, 623, 680,
439/686

See application file for complete search history.

(56) **References Cited**

U.S. PATENT DOCUMENTS

D321,503 S *	11/1991	Ditzig	D13/133
D454,542 S *	3/2002	Nakashima et al.	D13/146
D487,147 S *	2/2004	Ellingboe et al.	D24/129
D503,925 S *	4/2005	Wu	D13/133
6,981,888 B2 *	1/2006	O’Keefe et al.	439/369
D516,032 S *	2/2006	Suckle et al.	D13/147
D520,459 S *	5/2006	Kent et al.	D13/156

D555,094 S *	11/2007	Victor	D13/133
7,452,233 B1 *	11/2008	Michelsen	439/369
D586,750 S *	2/2009	Li	D13/133
2006/0148287 A1 *	7/2006	Zahnen et al.	439/135

* cited by examiner

Primary Examiner—Daniel D Bui

Assistant Examiner—Thomas J Johannes

(74) *Attorney, Agent, or Firm*—Foley & Lardner LLP

(57) **CLAIM**

We claim the ornamental design for female electrical connector component, as shown and described.

DESCRIPTION

FIG. 1 is a top, front, right-side perspective view of a female electrical connector component showing our new design;

FIG. 2 is a right side view of a thereof;

FIG. 3 is a left side view of a thereof;

FIG. 4 is a front view of a thereof;

FIG. 5 is a rear view of a thereof;

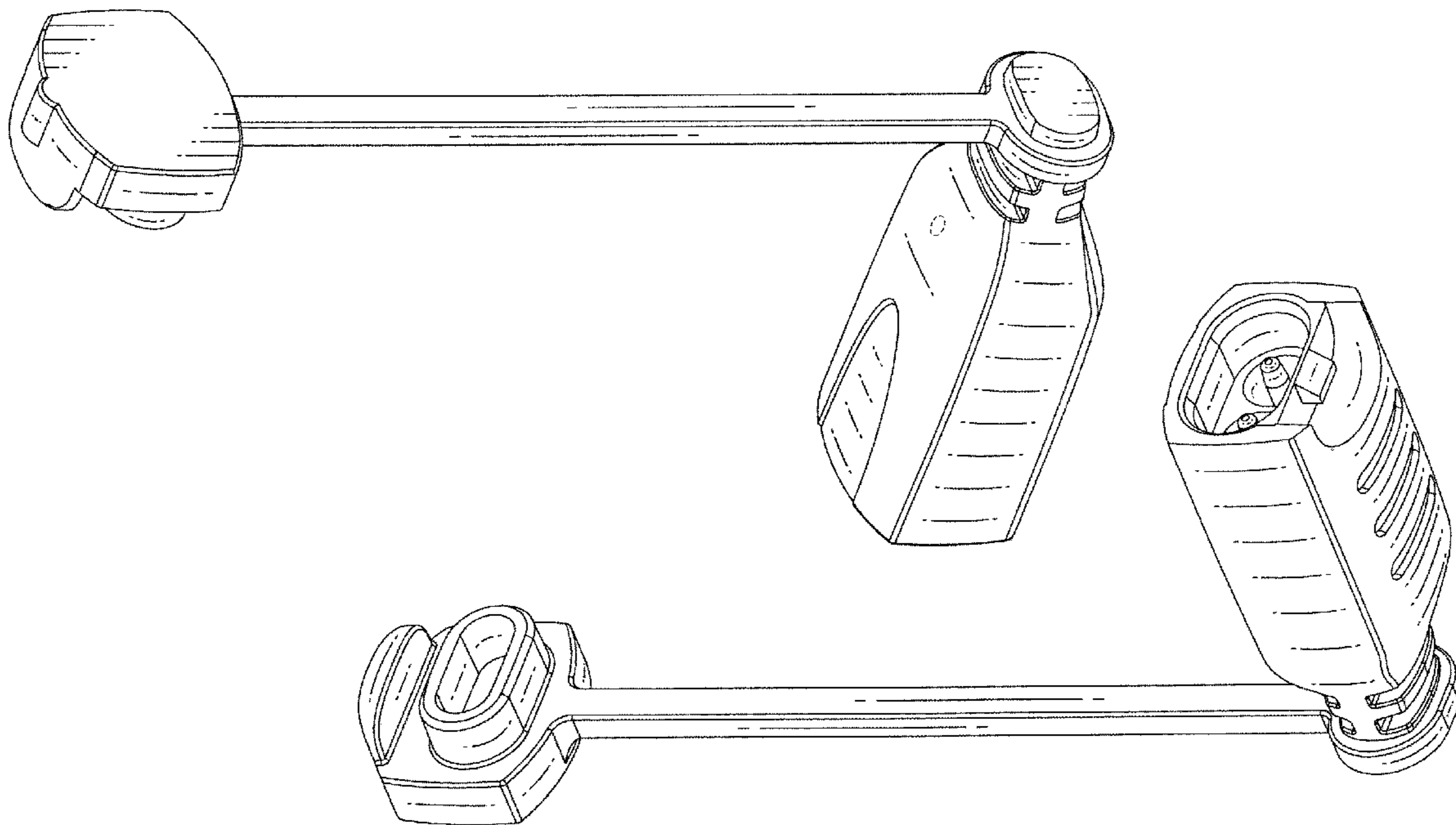
FIG. 6 is a top view of a thereof;

FIG. 7 is a bottom view of a thereof; and,

FIG. 8 is a bottom, rear, left side perspective view of a thereof.

The broken line portion of the figure drawings is included to show unclaimed subject matter only and forms no part of the claimed design.

1 Claim, 8 Drawing Sheets



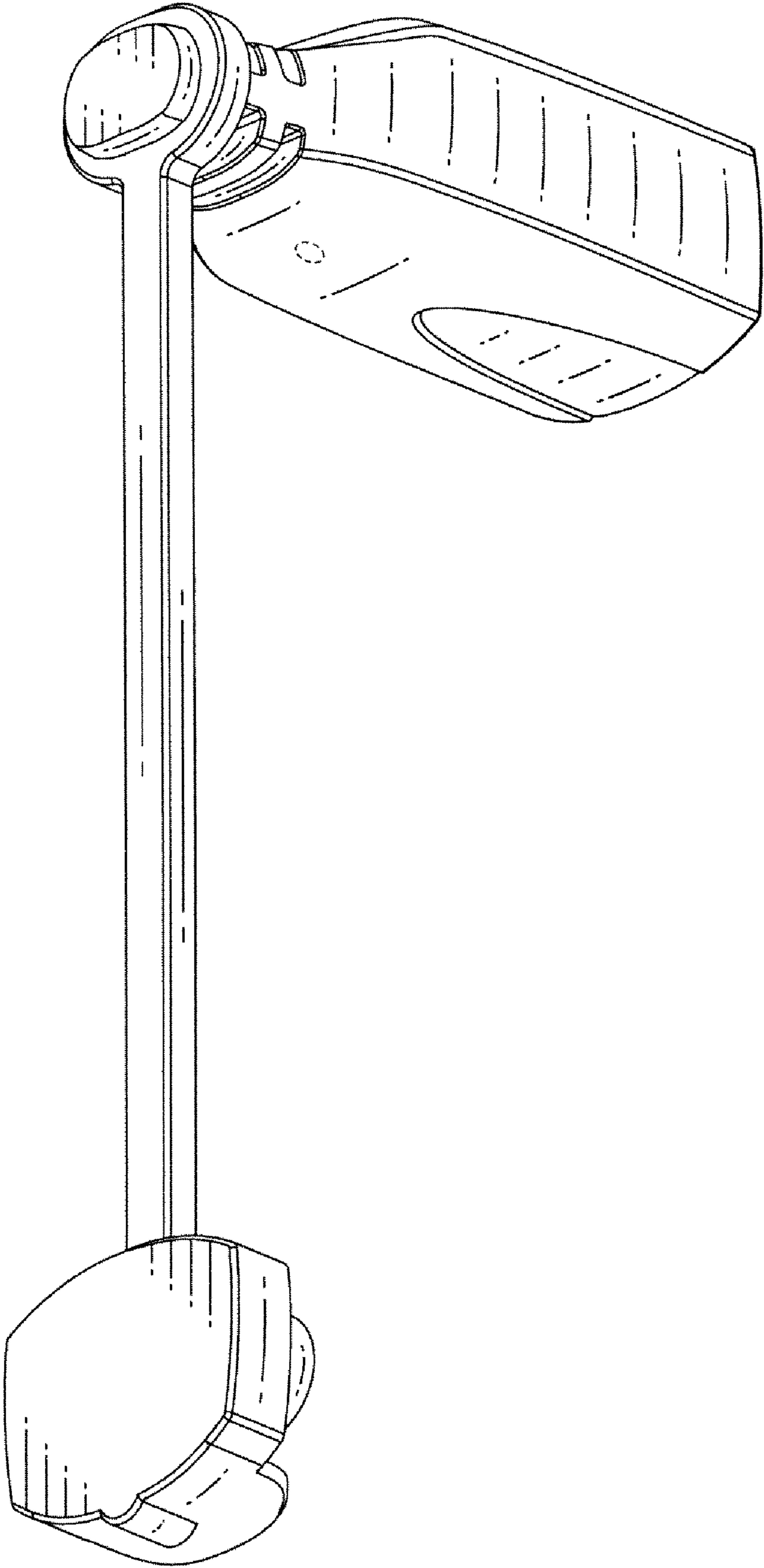


FIG. 1

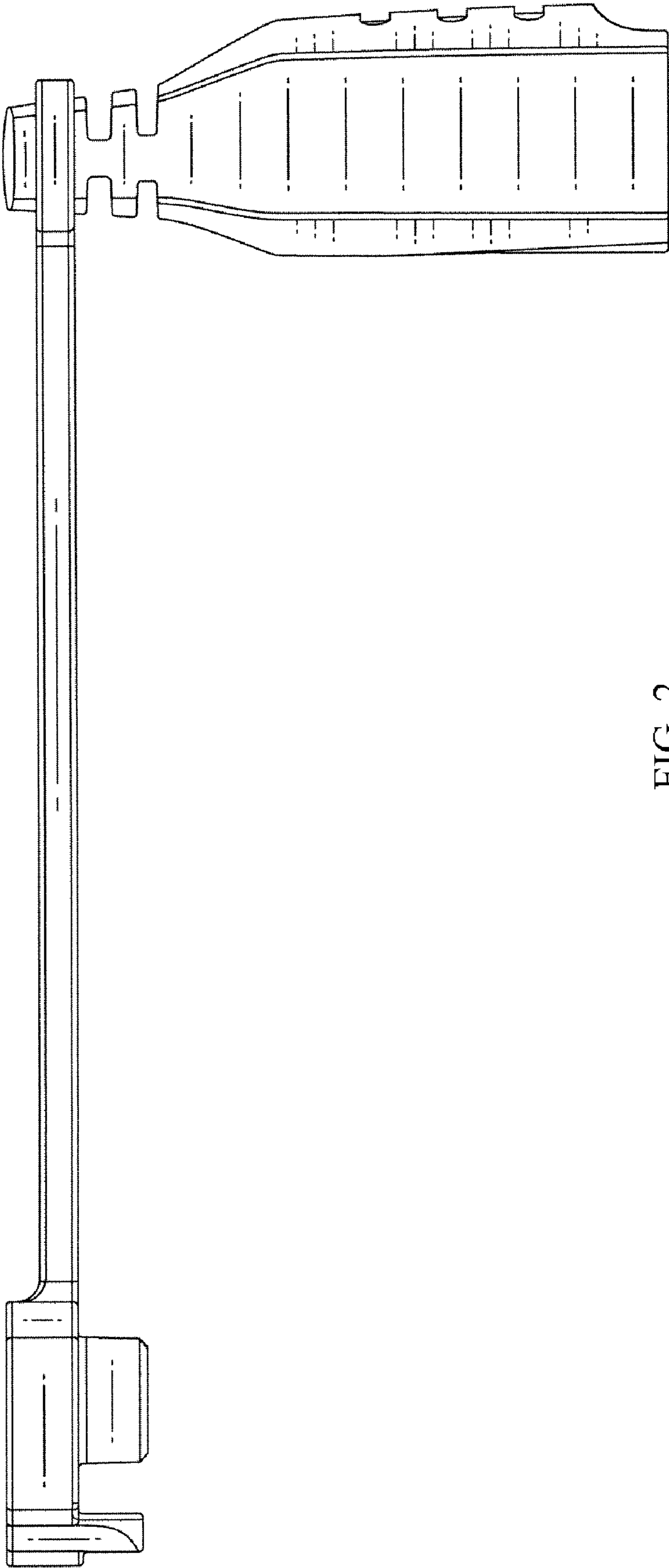


FIG. 2

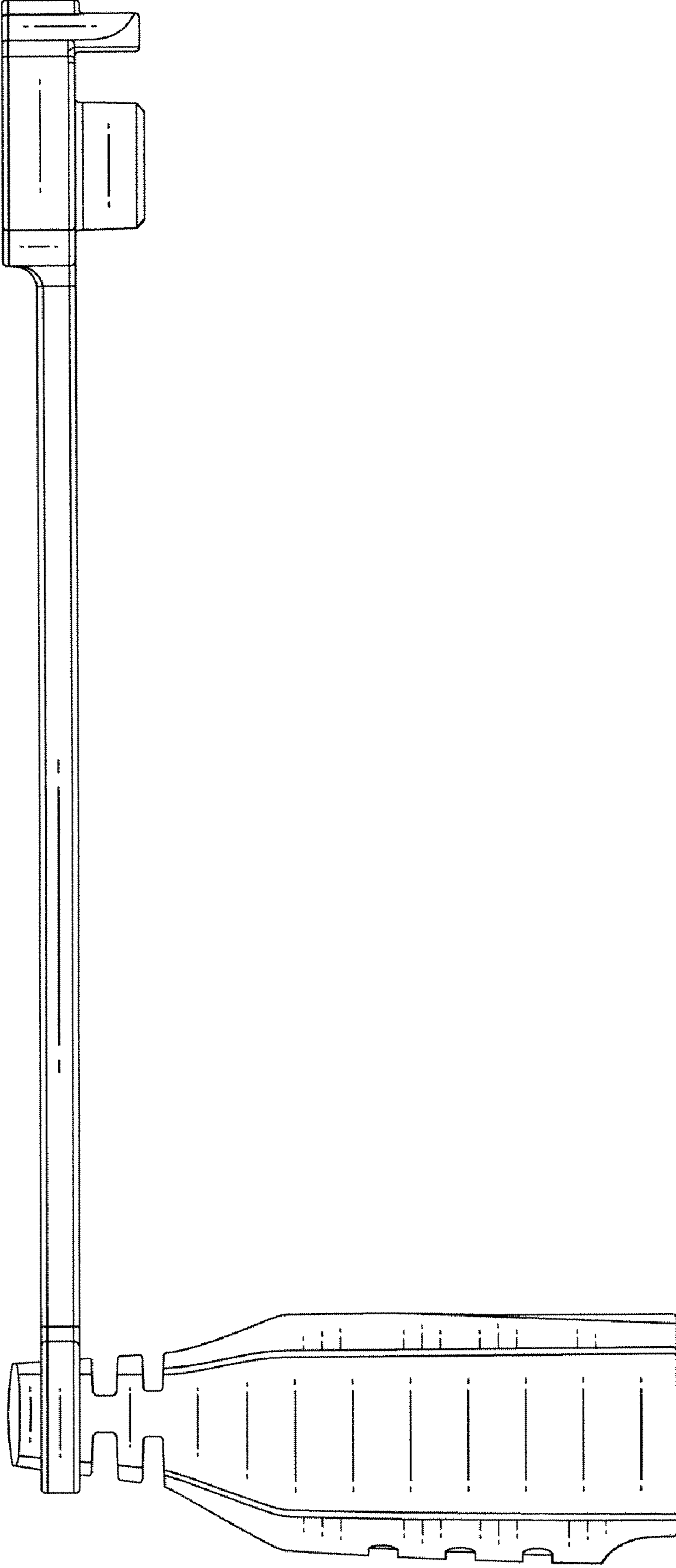


FIG. 3

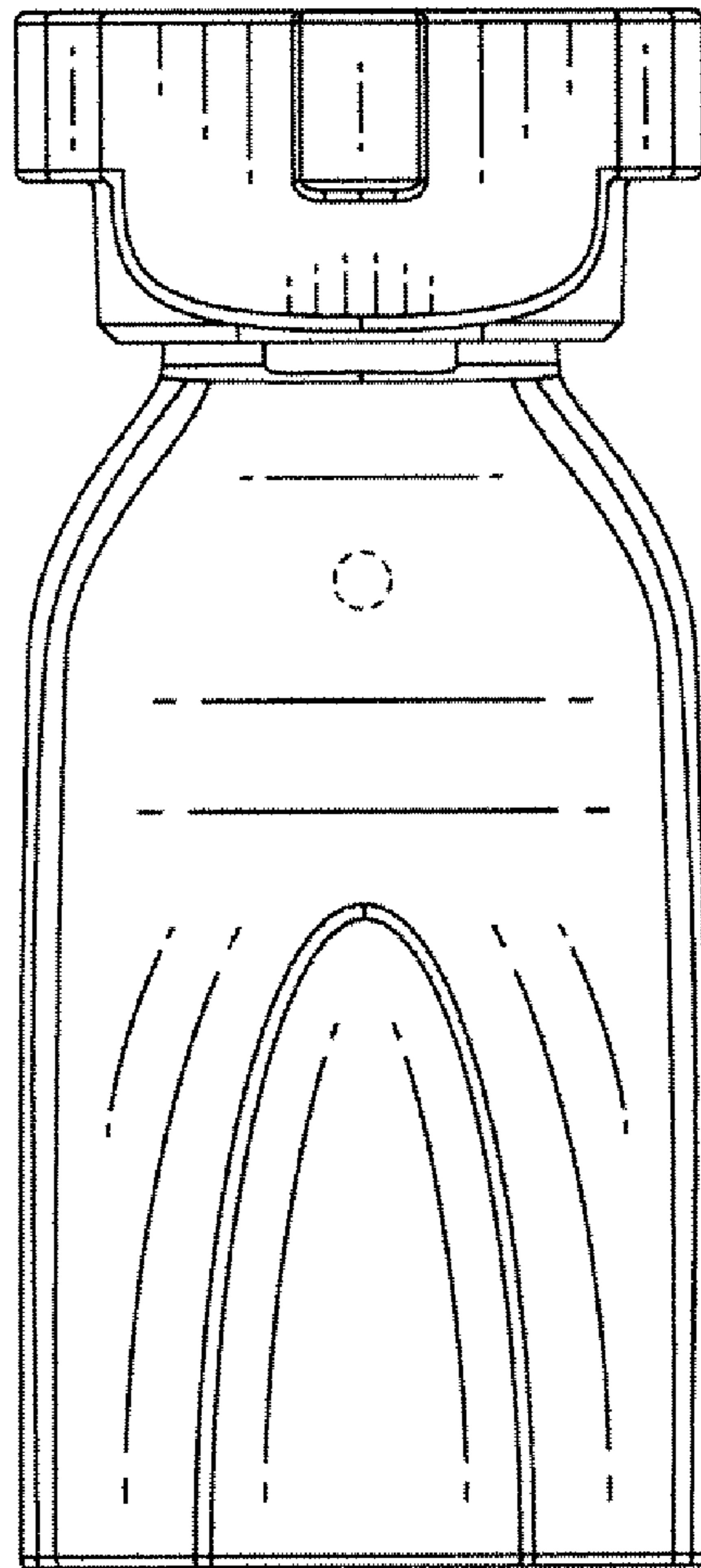


FIG. 4

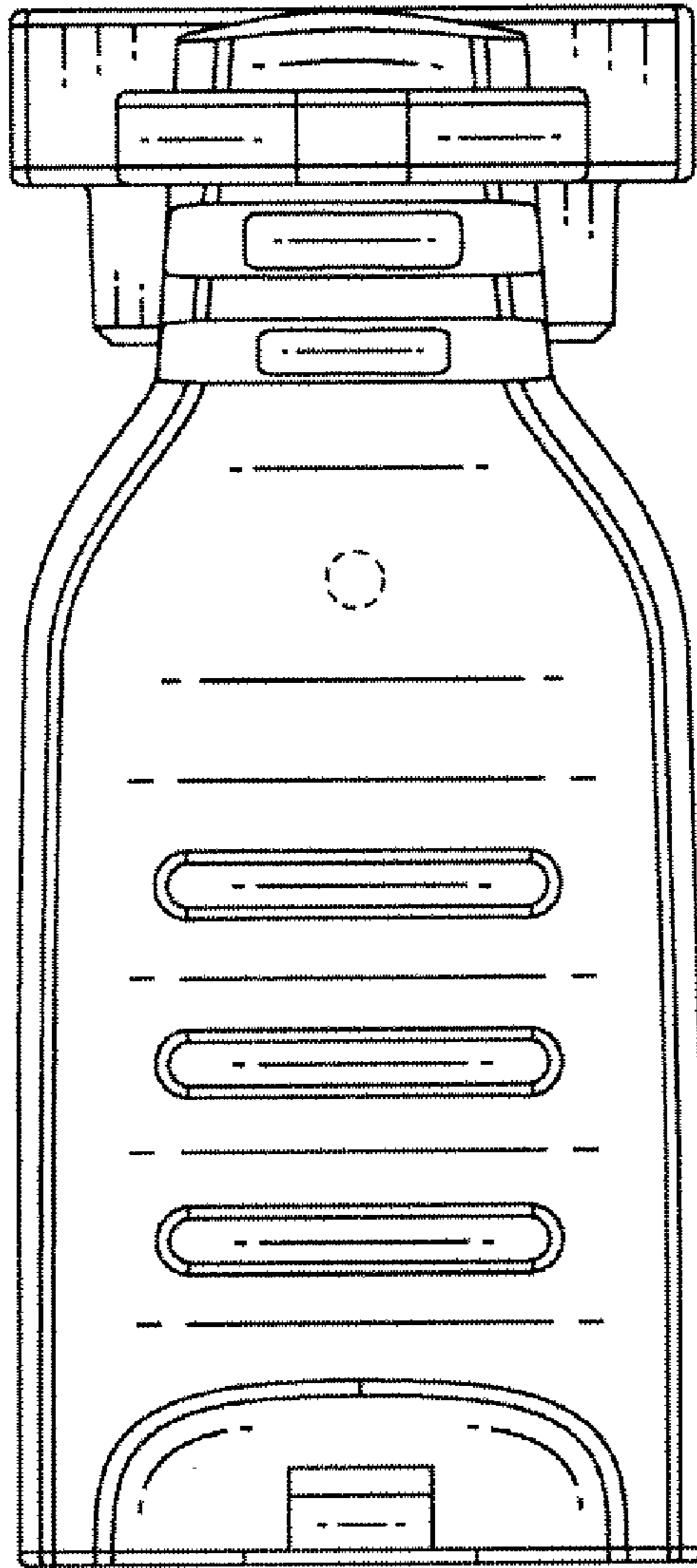


FIG. 5

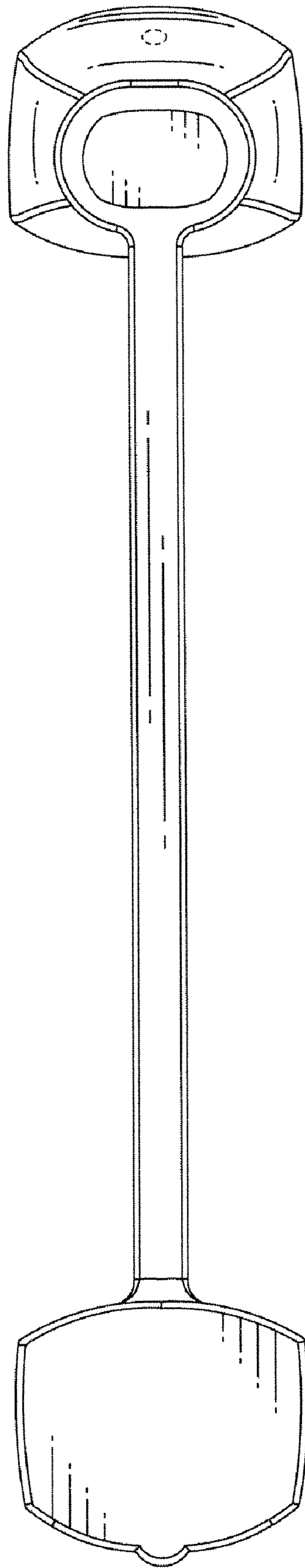


FIG. 6

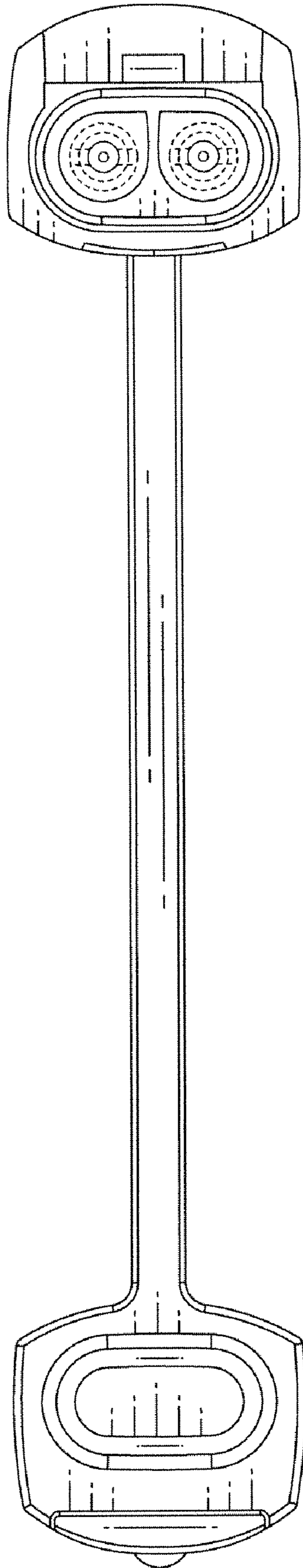


FIG. 7

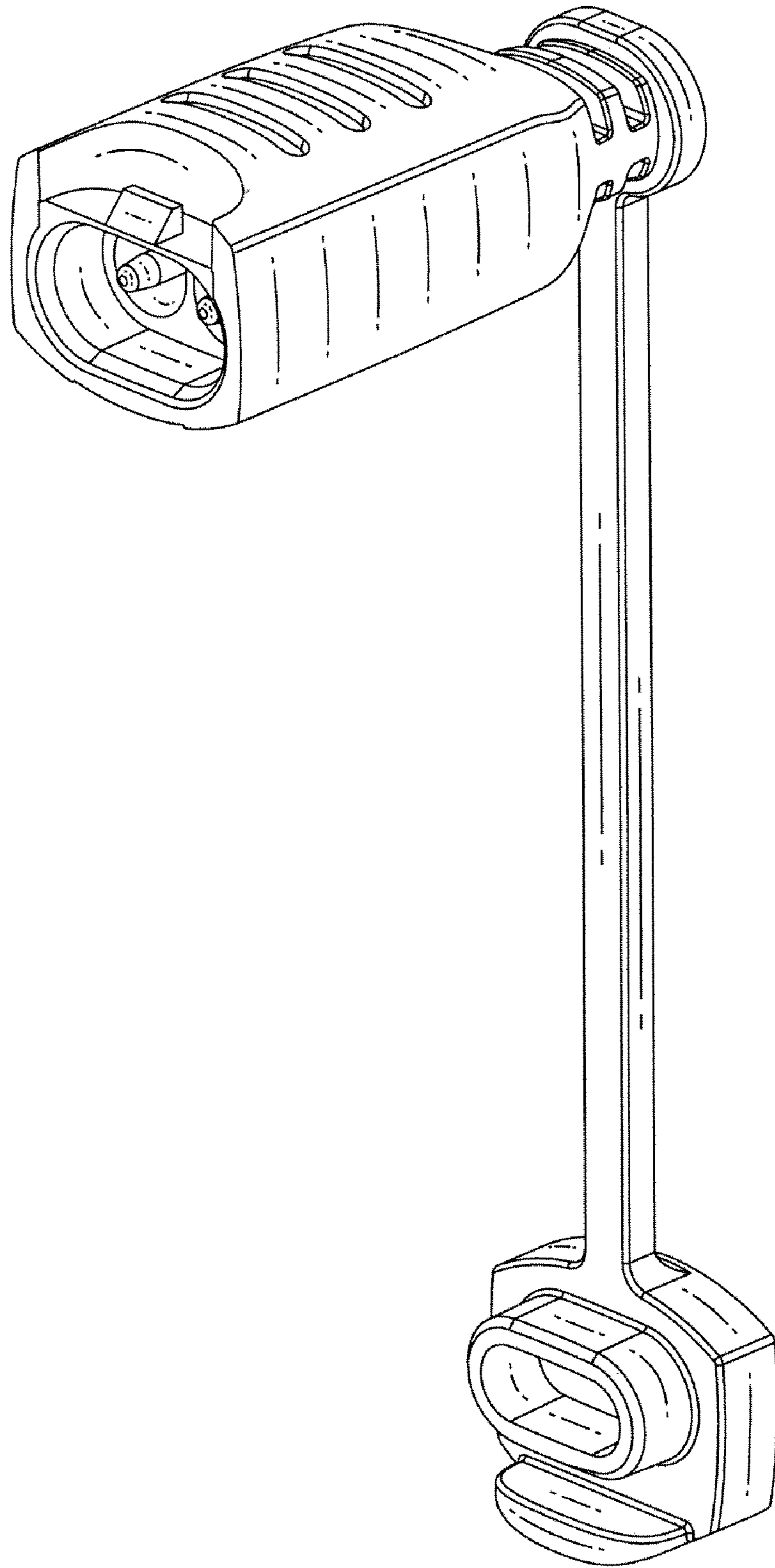


FIG. 8