



US00D596124S

(12) **United States Design Patent**
Ma et al.

(10) **Patent No.:** **US D596,124 S**
(45) **Date of Patent:** **** Jul. 14, 2009**

(54) **ELECTRICAL CONNECTOR**

(75) Inventors: **Hao-Yun Ma**, Tu-cheng (TW);
Cheng-Chi Yeh, Tu-cheng (TW)

(73) Assignee: **Hon Hai Precision Ind. Co., Ltd.**,
Taipei Hsien (TW)

(**) Term: **14 Years**

(21) Appl. No.: **29/307,780**

(22) Filed: **May 12, 2008**

(51) **LOC (9) Cl.** **13-03**

(52) **U.S. Cl.** **D13/133**

(58) **Field of Classification Search** D13/123,
D13/133, 146, 147, 154, 184, 199; 439/73,
439/135, 342, 526

See application file for complete search history.

(56) **References Cited**

U.S. PATENT DOCUMENTS

D505,921 S * 6/2005 Ma D13/149
D509,476 S * 9/2005 Ma et al. D13/149
6,957,973 B1 * 10/2005 McHugh et al. 439/331

7,234,955 B1 * 6/2007 Ho 439/331
7,473,121 B2 * 1/2009 Fan et al. 439/342
2005/0153582 A1 * 7/2005 Ma 439/73
2005/0191890 A1 * 9/2005 Taylor et al. 439/342

* cited by examiner

Primary Examiner—Daniel D Bui

Assistant Examiner—Thomas J Johannes

(74) *Attorney, Agent, or Firm*—Wei Te Chung

(57) **CLAIM**

The ornamental design for an electrical connector, as shown.

DESCRIPTION

FIG. 1 is a top, front and left side perspective view of an electrical connector;

FIG. 2 is a front elevational view thereof;

FIG. 3 is a rear elevational view thereof;

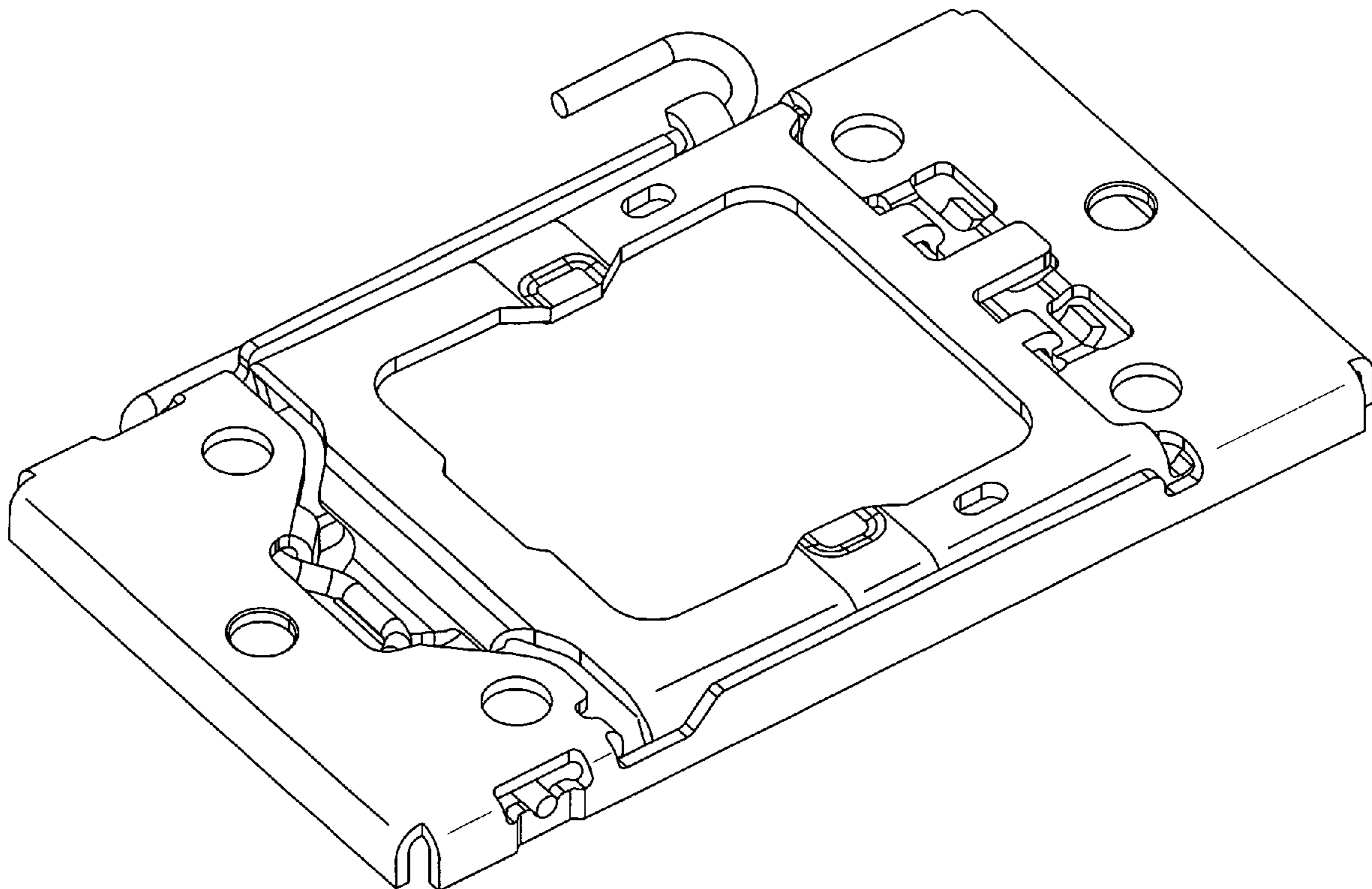
FIG. 4 is a left side elevational view thereof;

FIG. 5 is a right side elevational view thereof;

FIG. 6 is a top plan view thereof; and,

FIG. 7 is a bottom plan view thereof.

1 Claim, 7 Drawing Sheets



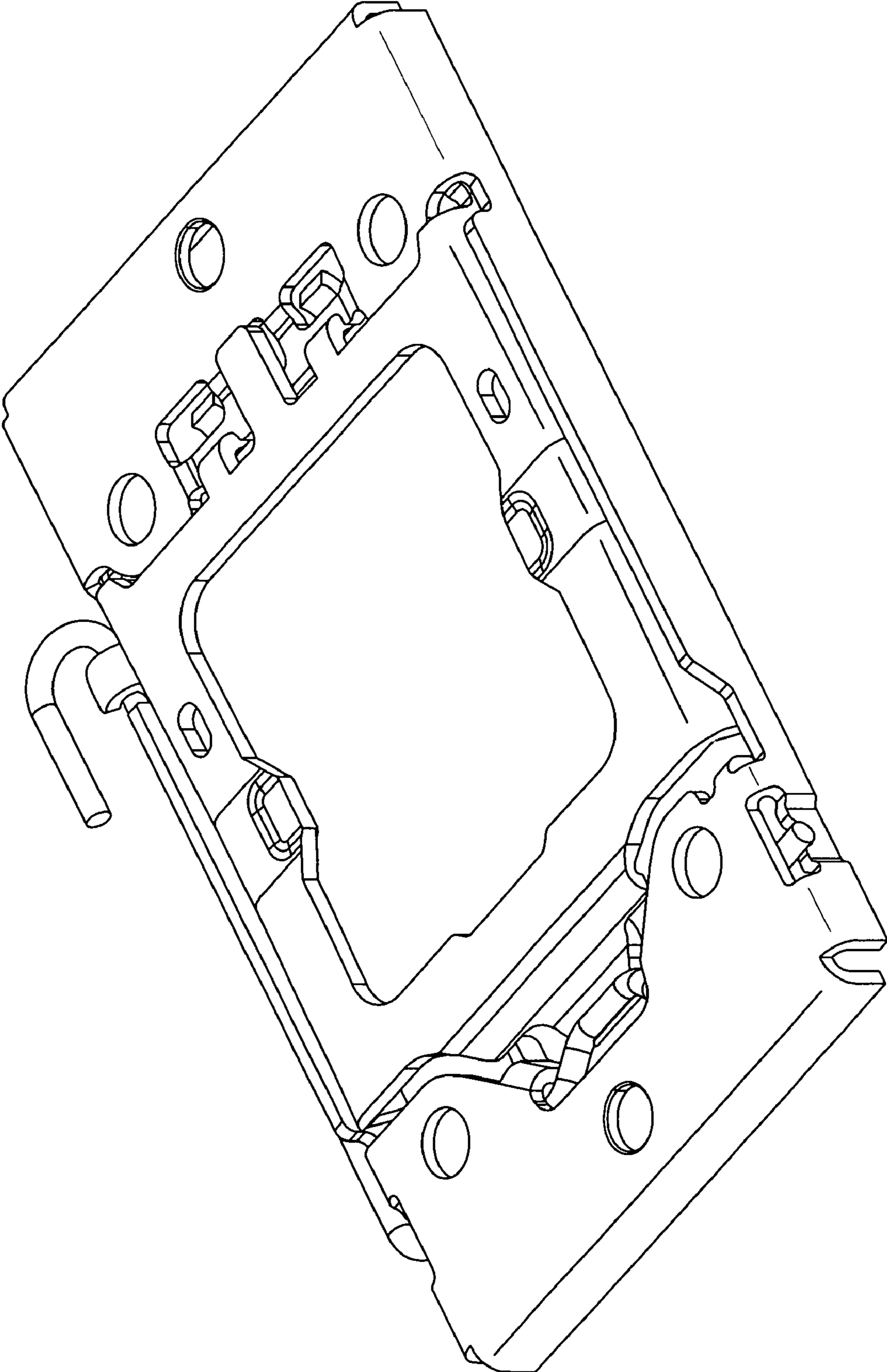


FIG. 1



FIG. 2

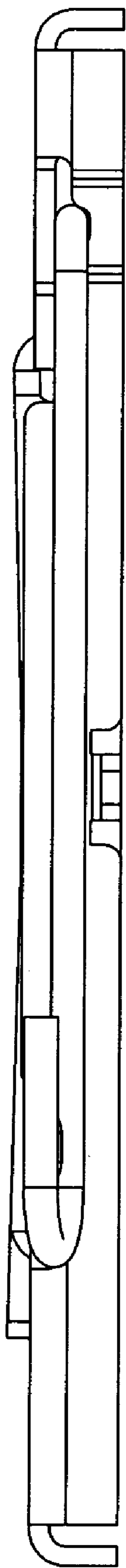


FIG. 3

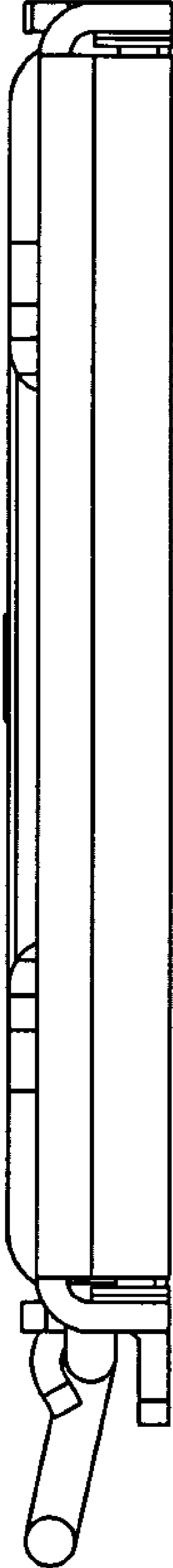


FIG. 4

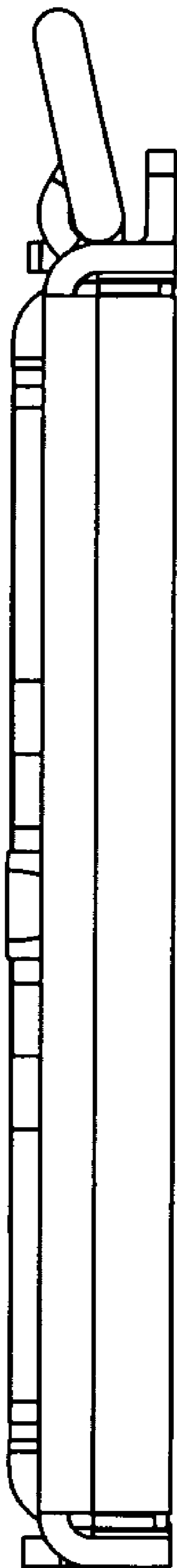


FIG. 5

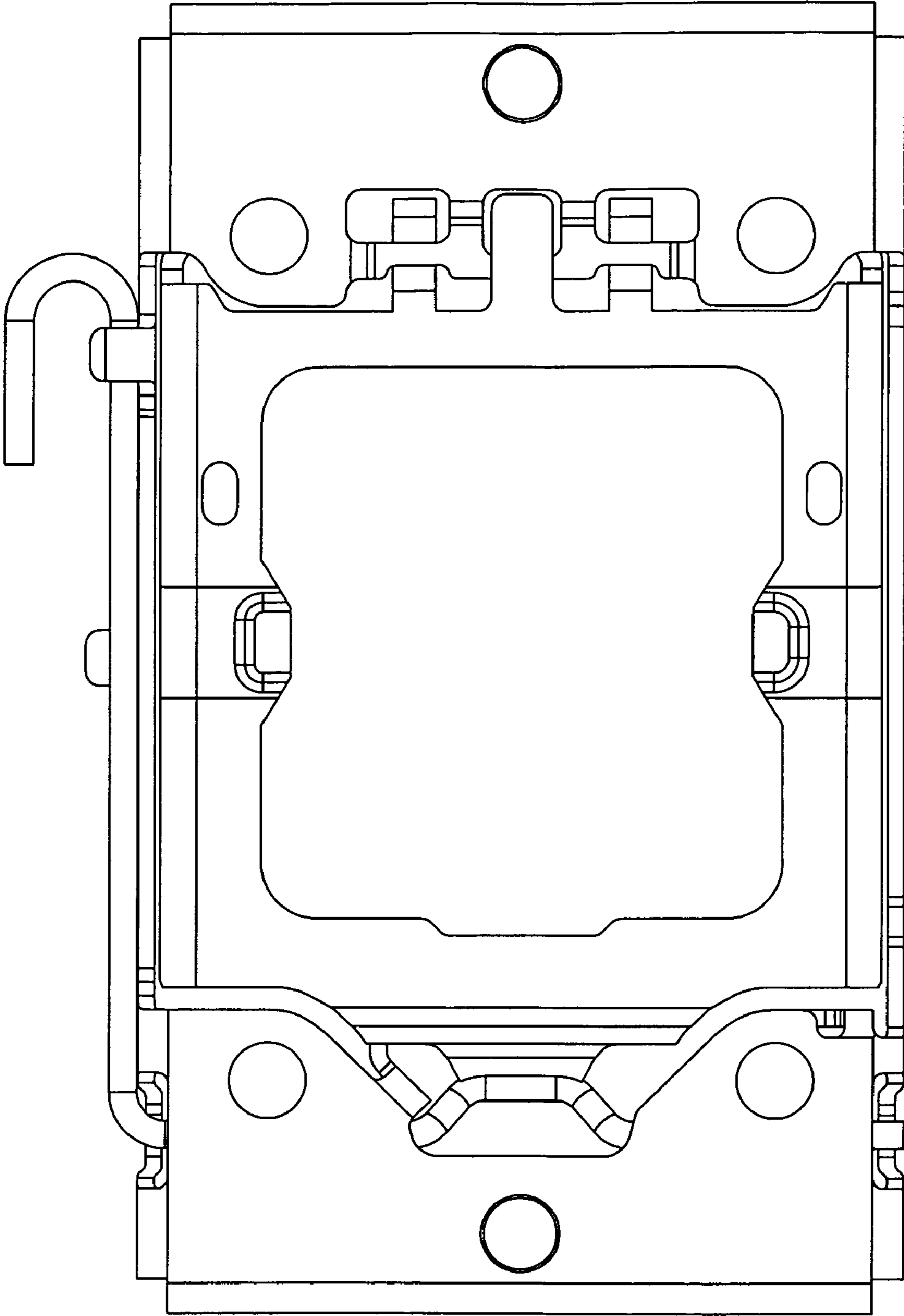


FIG. 6

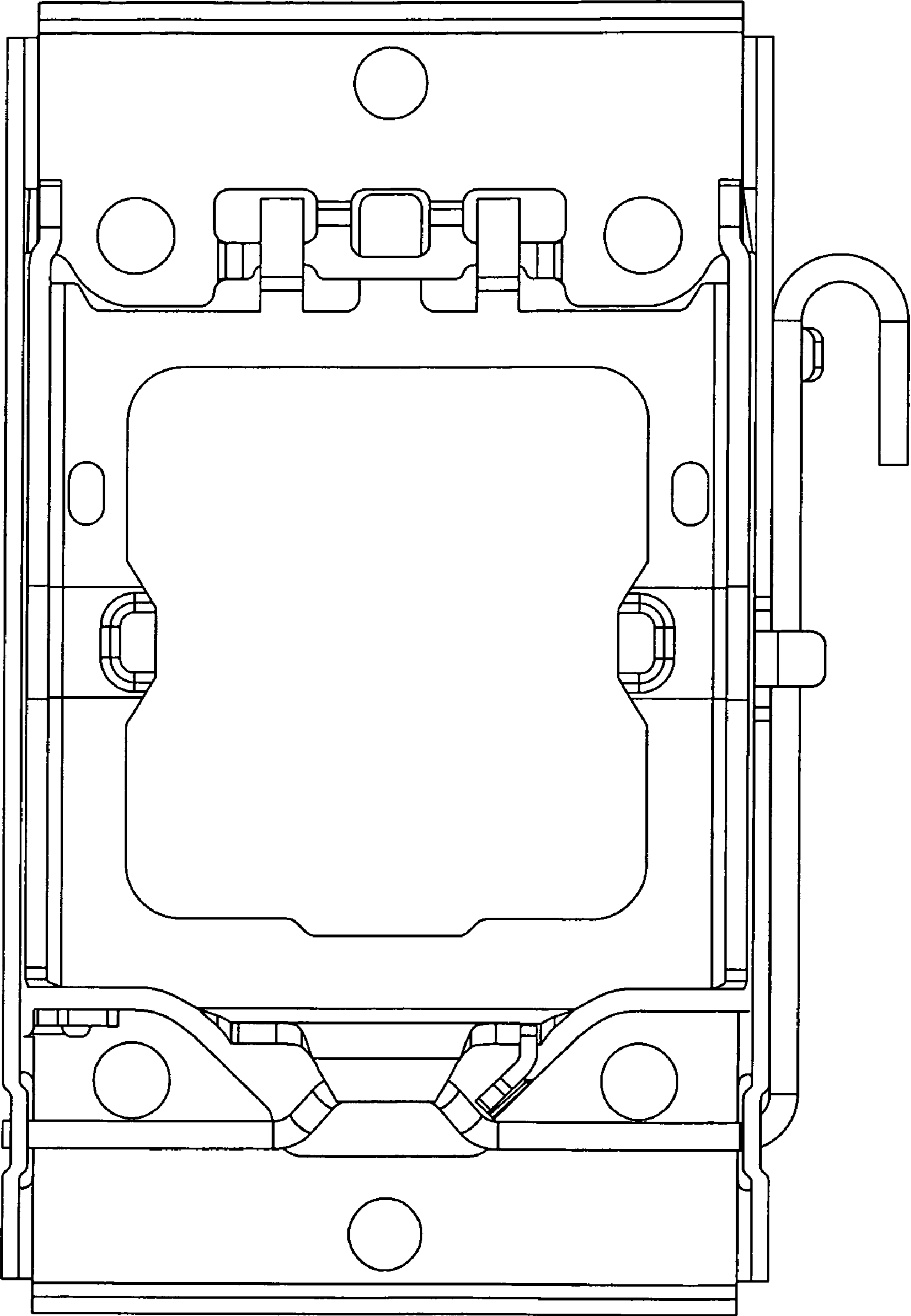


FIG. 7