



US00D596123S

(12) **United States Design Patent**
Yang

(10) **Patent No.:** **US D596,123 S**
(45) **Date of Patent:** **** Jul. 14, 2009**

(54) **ELECTRICAL CONNECTOR**

(75) Inventor: **Meng-Huan Yang**, Tu-Cheng (TW)

(73) Assignee: **Hon Hai Precision Ind. Co., Ltd.**,
Taipei Hsien (TW)

(**) Term: **14 Years**

(21) Appl. No.: **29/293,625**

(22) Filed: **Dec. 4, 2007**

(30) **Foreign Application Priority Data**

Jun. 4, 2007 (CN) 200730036714.9

(51) **LOC (9) Cl.** **13-03**

(52) **U.S. Cl.** **D13/133**

(58) **Field of Classification Search** D13/123,
D13/133, 146, 147, 154, 184, 199; 439/71-73,
439/83, 638, 330, 331, 607-610, 625, 626,
439/629-631, 680, 876; D14/432, 433, 435,
D14/436, 439; D16/200, 218

See application file for complete search history.

(56) **References Cited**

U.S. PATENT DOCUMENTS

6,393,698 B1 * 5/2002 Kuriyama et al. 29/883
6,939,172 B2 * 9/2005 Lu 439/607
D524,749 S * 7/2006 Wang et al. D13/147
7,077,680 B1 * 7/2006 Wang et al. 439/331
7,086,902 B1 * 8/2006 Yang 439/607

D540,261 S * 4/2007 Yang D13/147
D541,219 S * 4/2007 Yang D13/147
D541,749 S * 5/2007 Li D13/147
D549,658 S * 8/2007 Asai et al. D13/147
7,255,600 B2 * 8/2007 Ma 439/607
7,281,954 B1 * 10/2007 Hashiguchi 439/660

* cited by examiner

Primary Examiner—Daniel D Bui

Assistant Examiner—Thomas J Johannes

(74) *Attorney, Agent, or Firm*—Wei Te Chung

(57) **CLAIM**

The ornamental design for an electrical connector, as shown and described.

DESCRIPTION

FIG. 1 is a left, top and front side perspective view of an electrical connector showing my new design;

FIG. 2 is a front elevational view thereof;

FIG. 3 is a rear elevational view thereof;

FIG. 4 is a left side elevational view thereof;

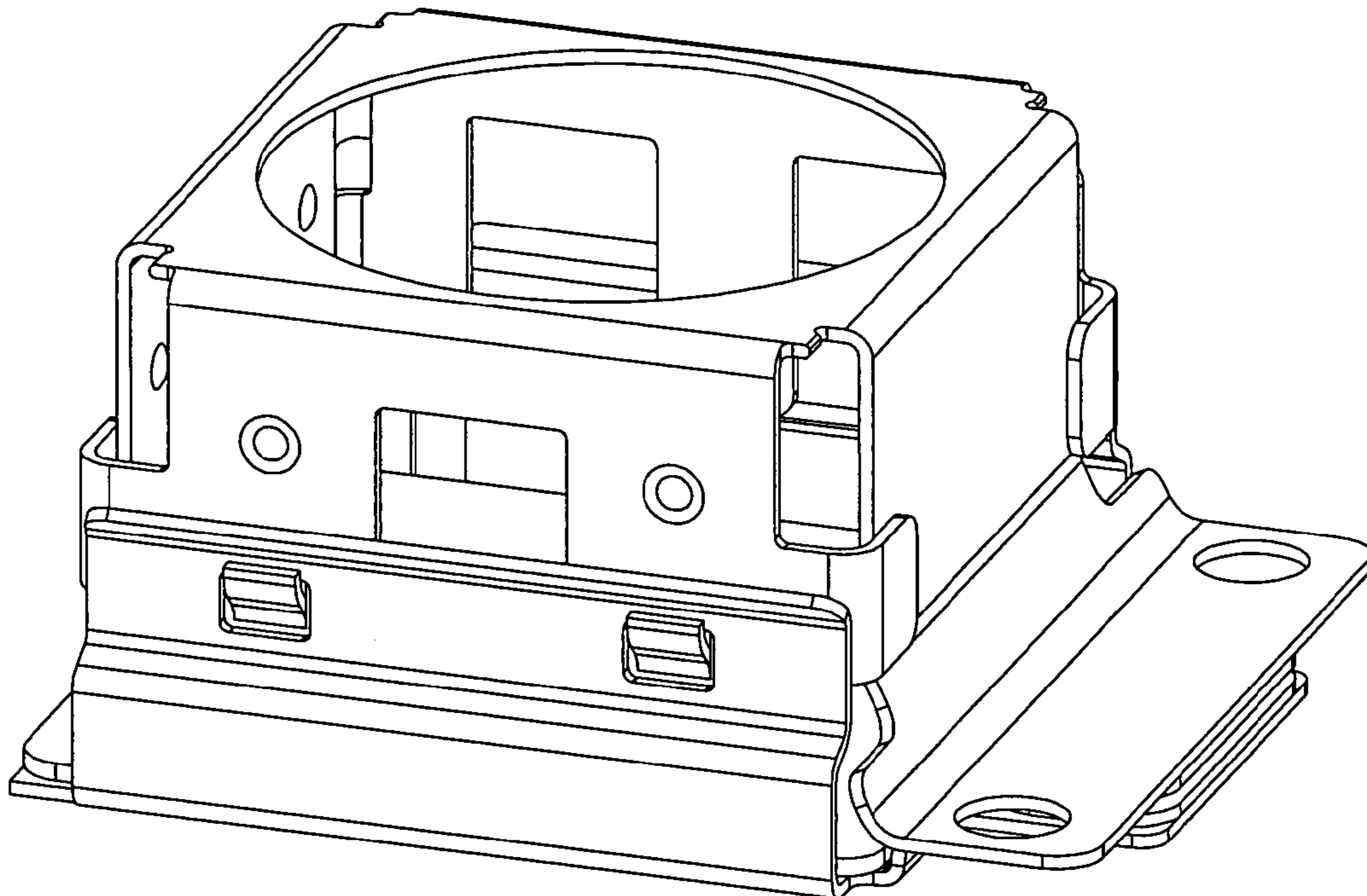
FIG. 5 is a right side elevational view thereof;

FIG. 6 is a top plan view thereof; and,

FIG. 7 is a bottom plan view thereof.

The broken line portion of the figure drawings in FIG. 7 is included to show unclaimed subject matter only and forms no part of the claimed design.

1 Claim, 7 Drawing Sheets



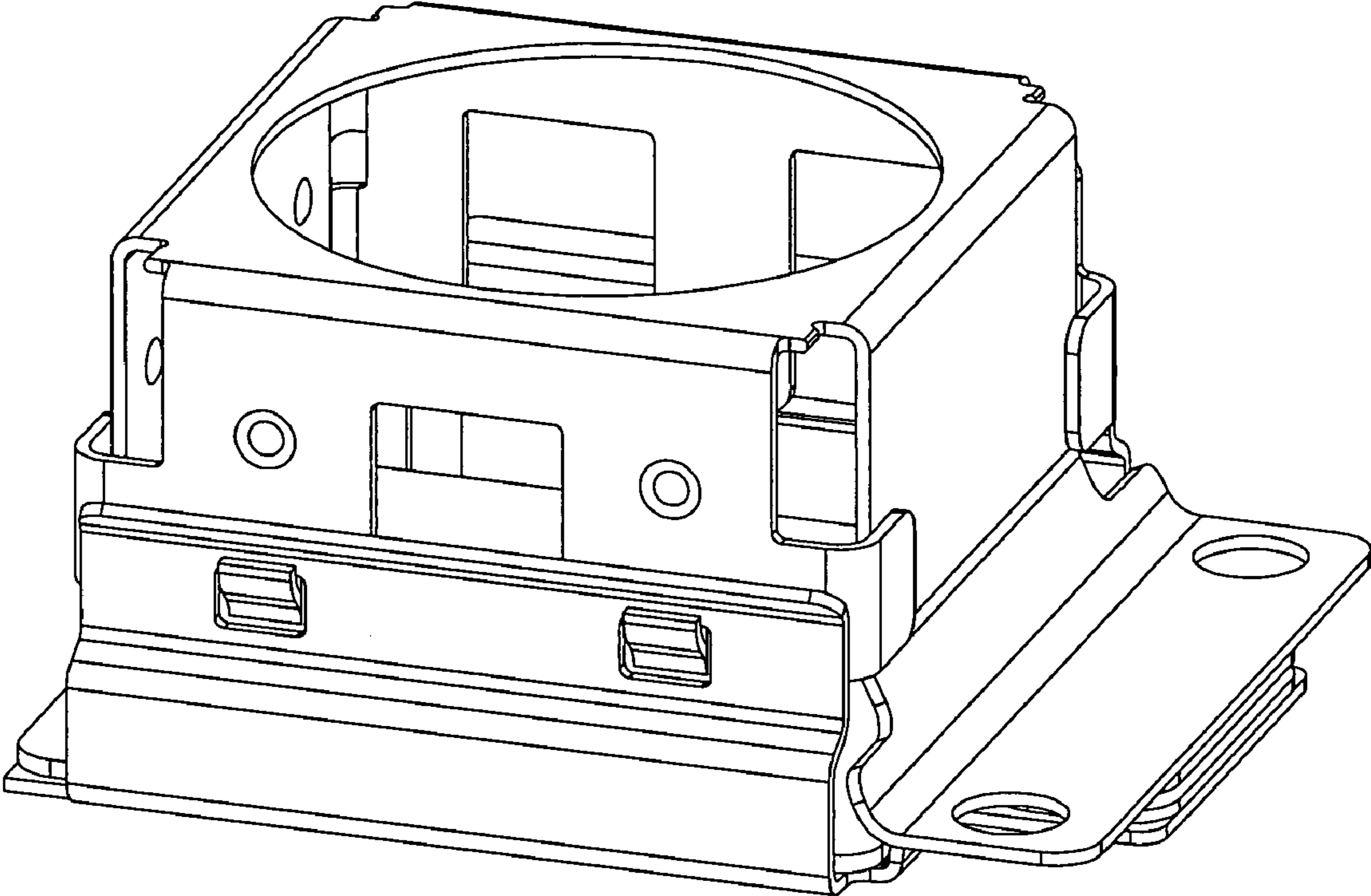


FIG. 1

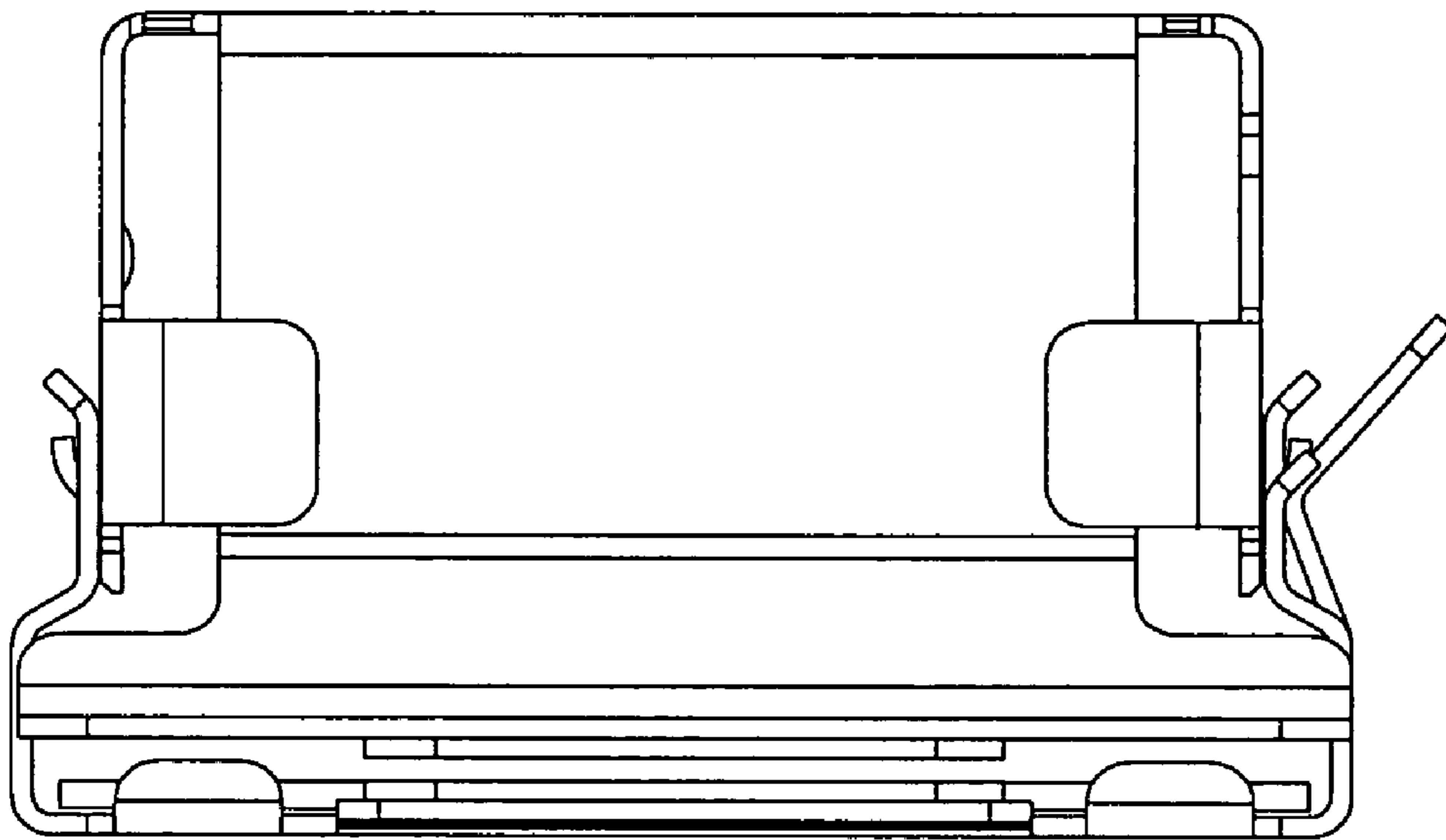


FIG. 2

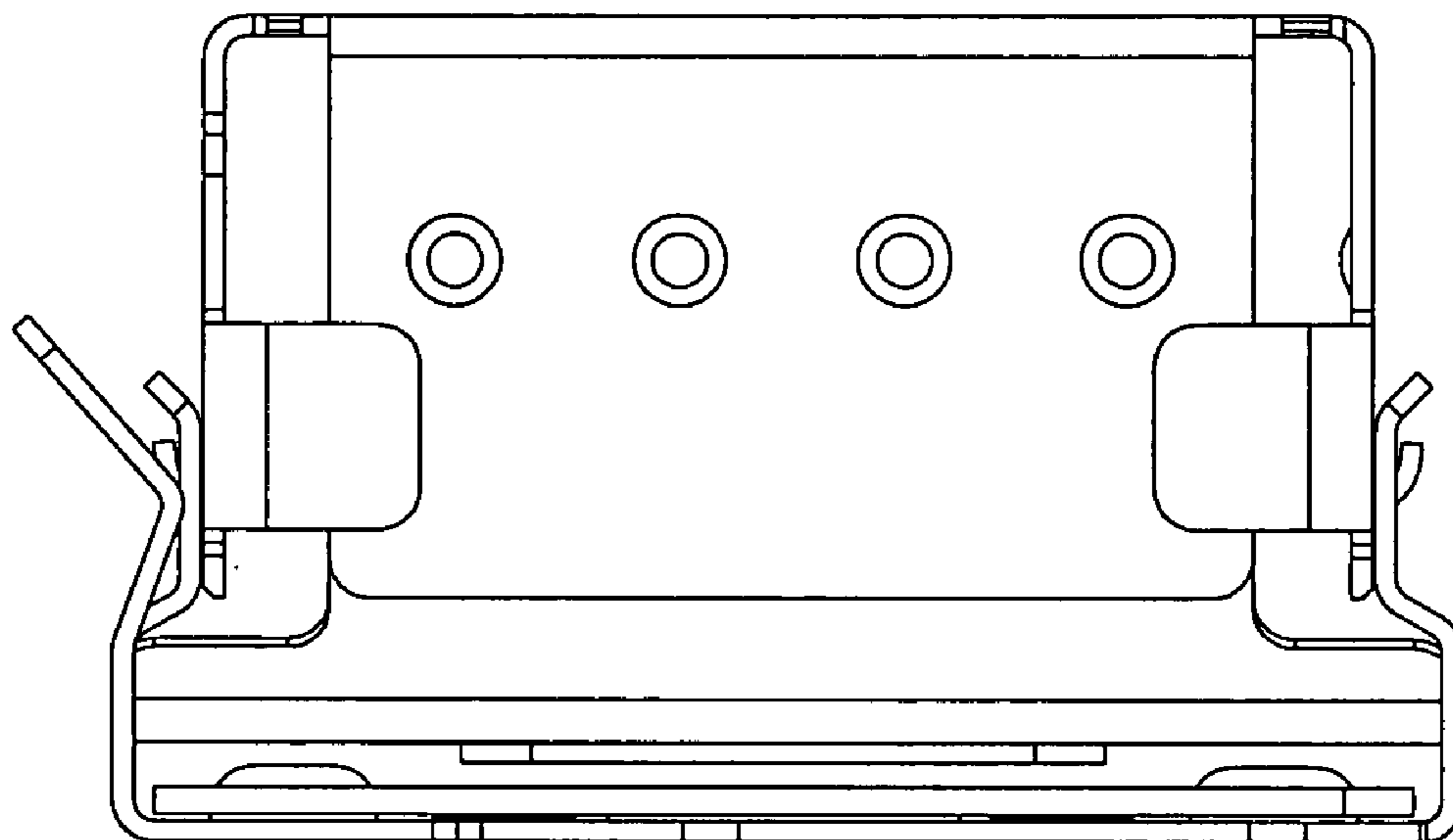


FIG. 3

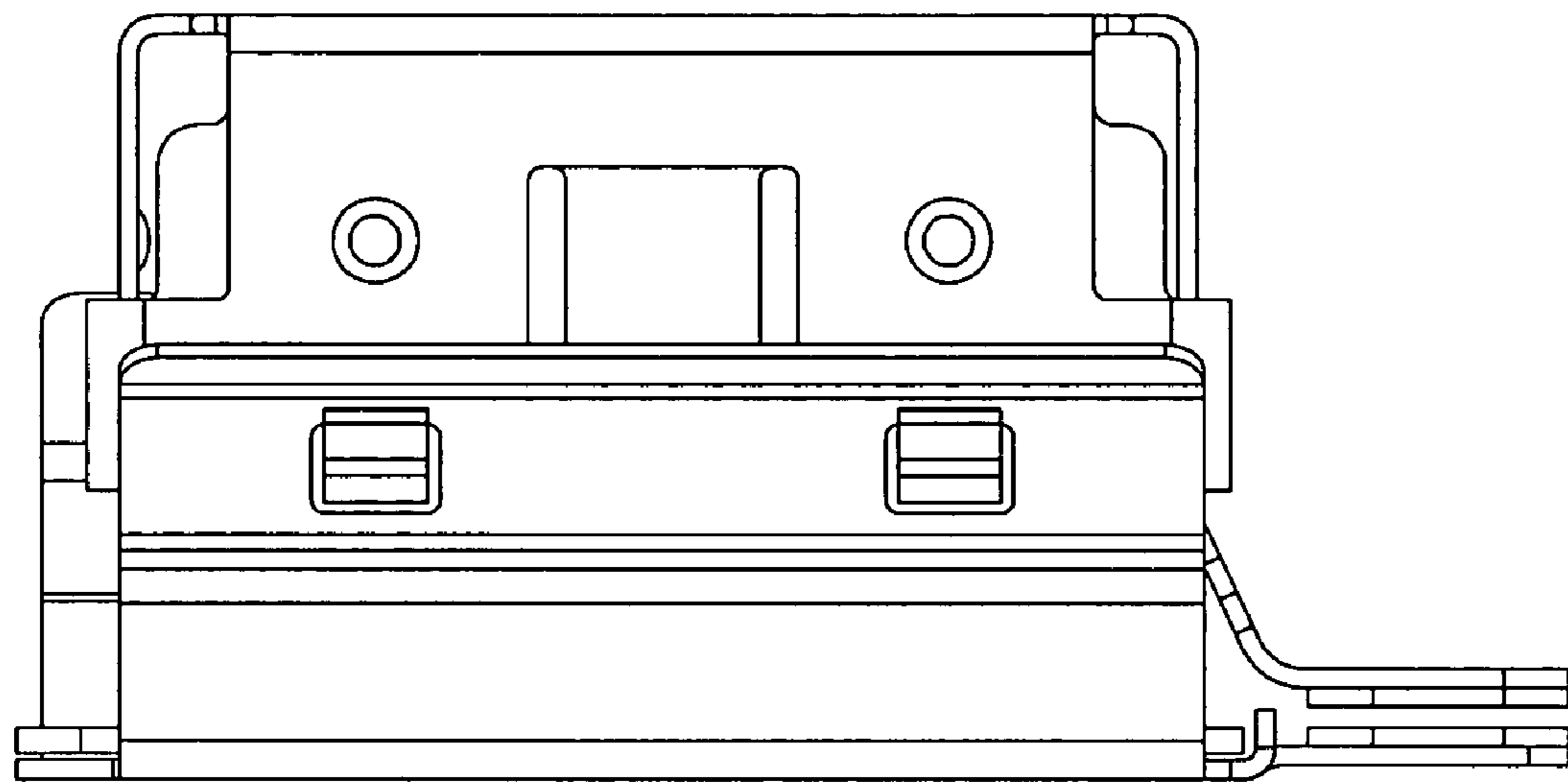


FIG. 4

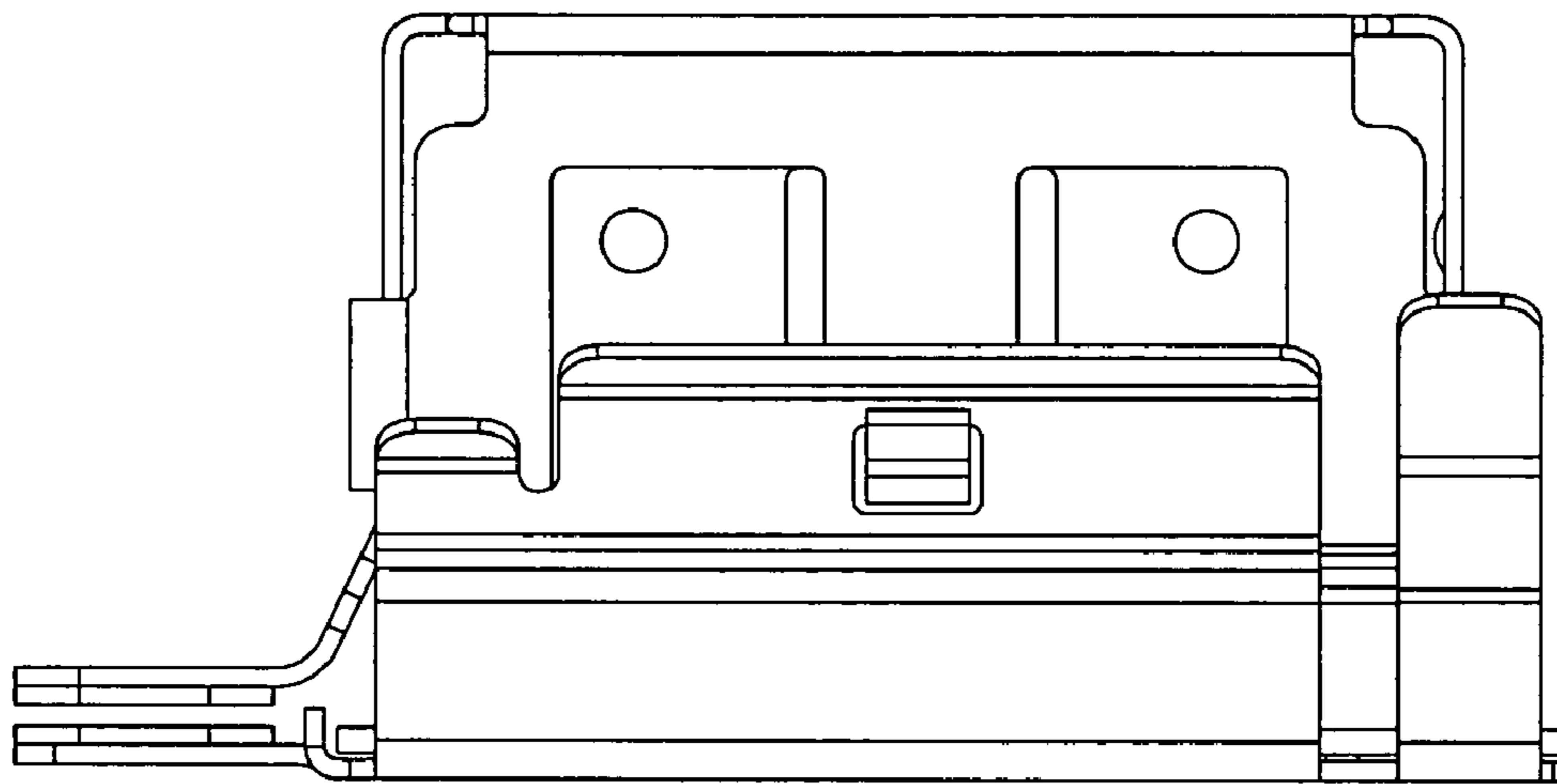


FIG. 5

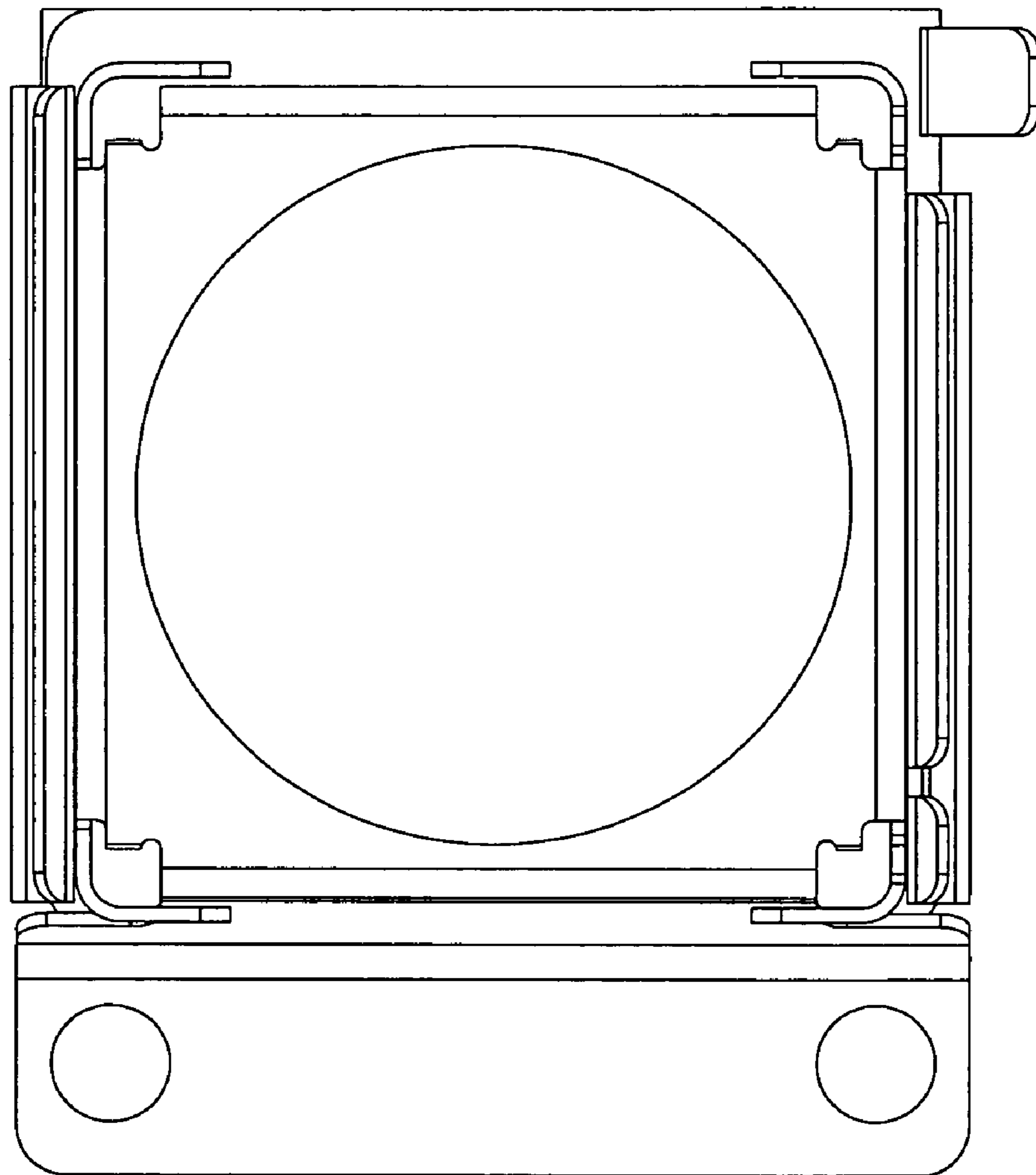


FIG. 6

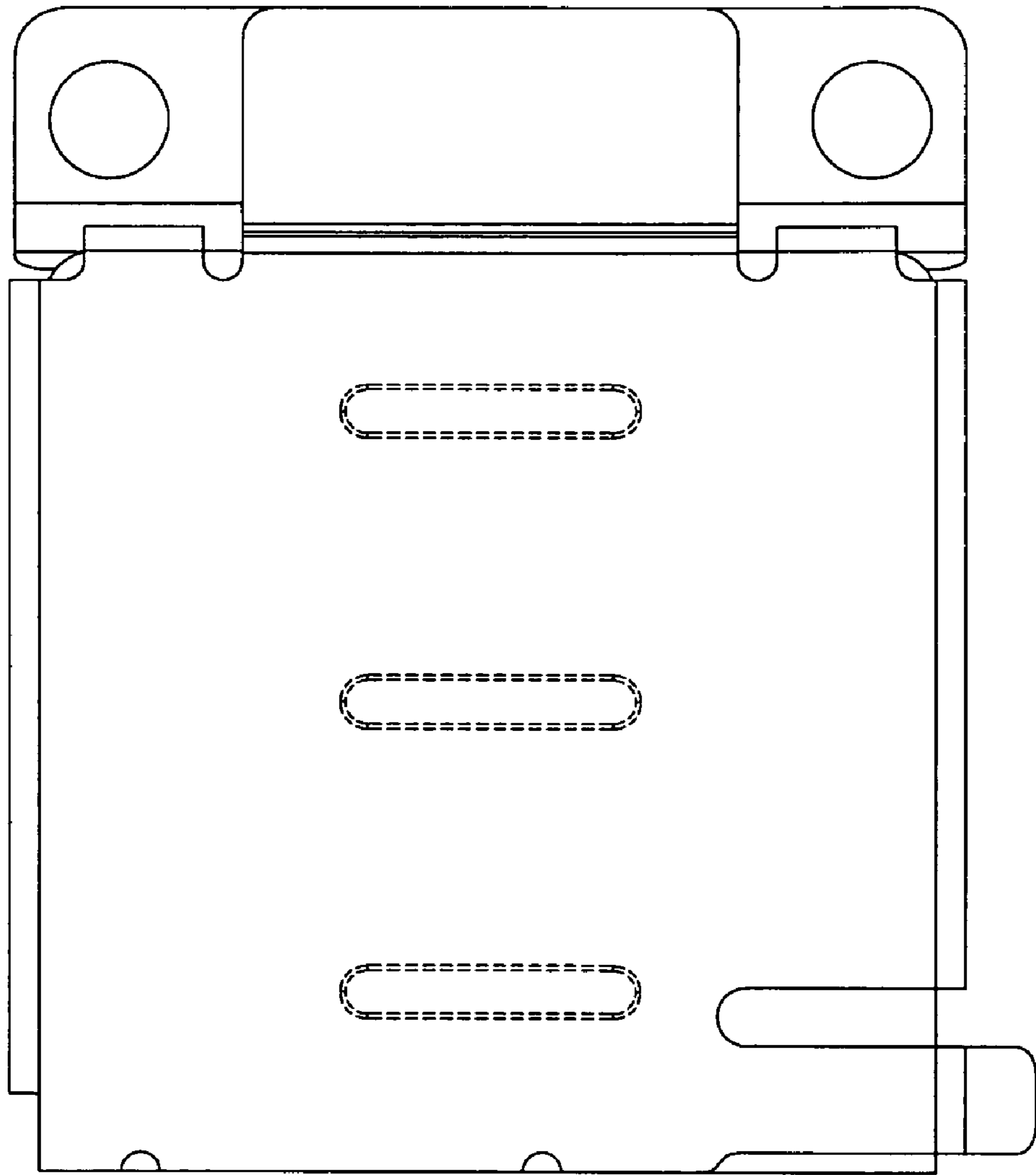


FIG. 7