



US00D596122S

(12) **United States Design Patent**
Imai

(10) **Patent No.:** **US D596,122 S**
(45) **Date of Patent:** **** Jul. 14, 2009**

(54) **SOUNDPROOFING COVER FOR ENGINE GENERATOR**

(75) Inventor: **Shuhei Imai**, Wako (JP)

(73) Assignee: **Honda Motor Co., Ltd.**, Tokyo (JP)

(**) Term: **14 Years**

(21) Appl. No.: **29/300,777**

(22) Filed: **May 8, 2008**

(30) **Foreign Application Priority Data**

Nov. 9, 2007 (JP) 2007-031038

(51) **LOC (9) Cl.** **13-01**

(52) **U.S. Cl.** **D13/122**

(58) **Field of Classification Search** D13/122,
D13/112, 114, 184, 199; D12/126, 216,
D12/410; D15/5; 290/1 A; 310/88, 89,
310/91, 272, 273; 322/100

See application file for complete search history.

(56) **References Cited**

U.S. PATENT DOCUMENTS

- 3,114,061 A * 12/1963 Michel et al. 310/60 R
- D276,997 S * 1/1985 Mikado D13/116
- D396,478 S * 7/1998 Hubbach D15/5
- D489,327 S * 5/2004 Imai D13/116
- D516,507 S * 3/2006 Nushart et al. D13/112
- D519,923 S * 5/2006 Imai D13/116
- D530,278 S * 10/2006 Lyle et al. D13/122

D540,928 S * 4/2007 Matel et al. D23/364

* cited by examiner

Primary Examiner—Prabhakar Deshmukh

Assistant Examiner—Derrick Holland

(74) *Attorney, Agent, or Firm*—Birch, Stewart, Kolasch & Birch, LLP

(57) **CLAIM**

The ornamental design for a soundproofing cover for engine generator, as shown and described.

DESCRIPTION

FIG. 1 is a perspective view of a soundproofing cover for engine generator showing our new design

FIG. 2 is a second perspective view thereof.

FIG. 3 is a front elevation view thereof.

FIG. 4 is a rear elevation view thereof.

FIG. 5 is a top plan view thereof.

FIG. 6 is a bottom plan view thereof.

FIG. 7 is a left side elevation view thereof.

FIG. 8 is a right side elevation view thereof; and,

FIG. 9 is a third perspective view thereof, shown in use.

The matter shown in broken lines is for illustrative purposes and forms

The portion of the article shown in broken lines is for illustrative purpose only and forms no part of the claimed design. no part of the claimed design.

1 Claim, 9 Drawing Sheets

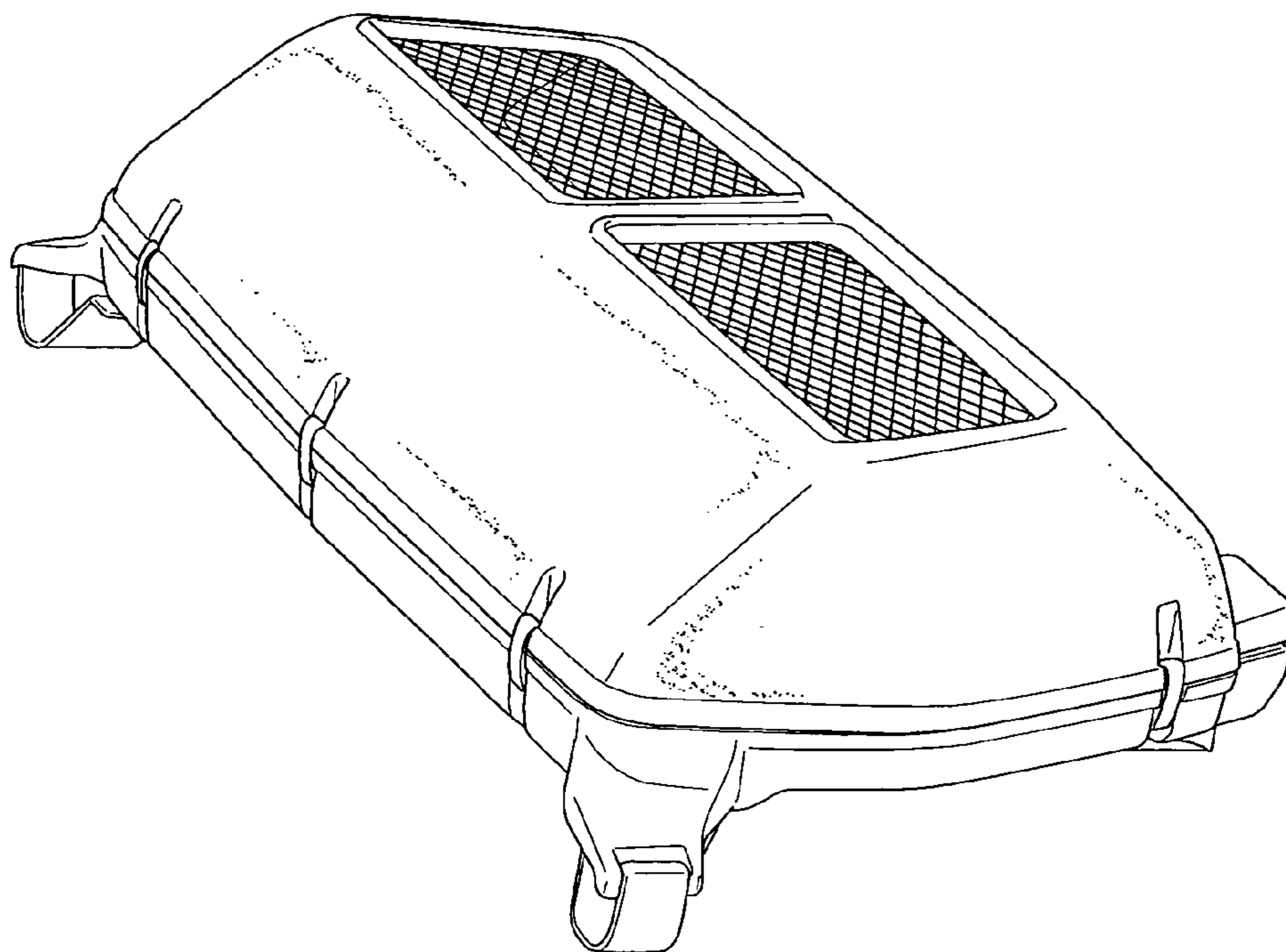


FIG. 1

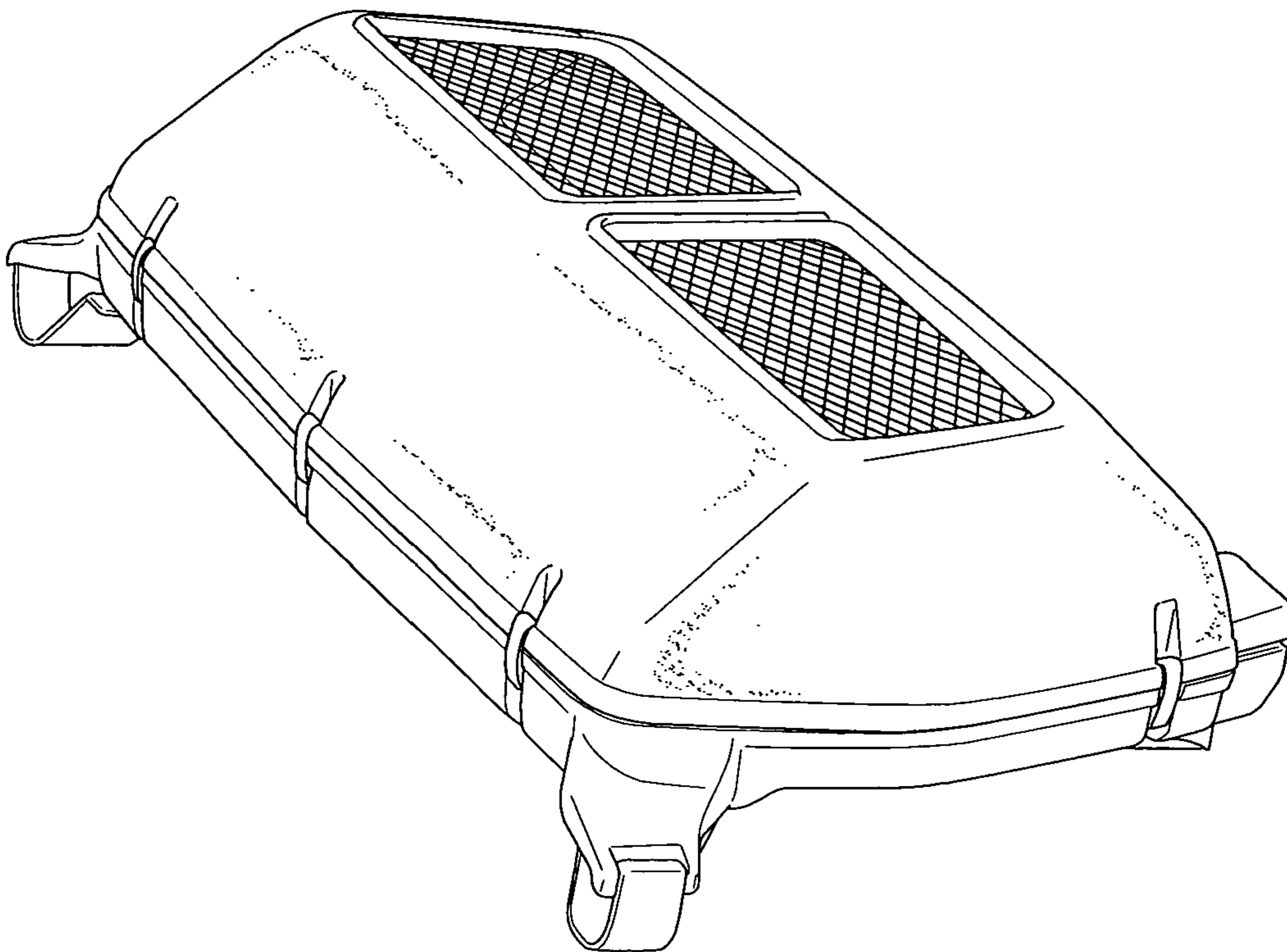


FIG. 2

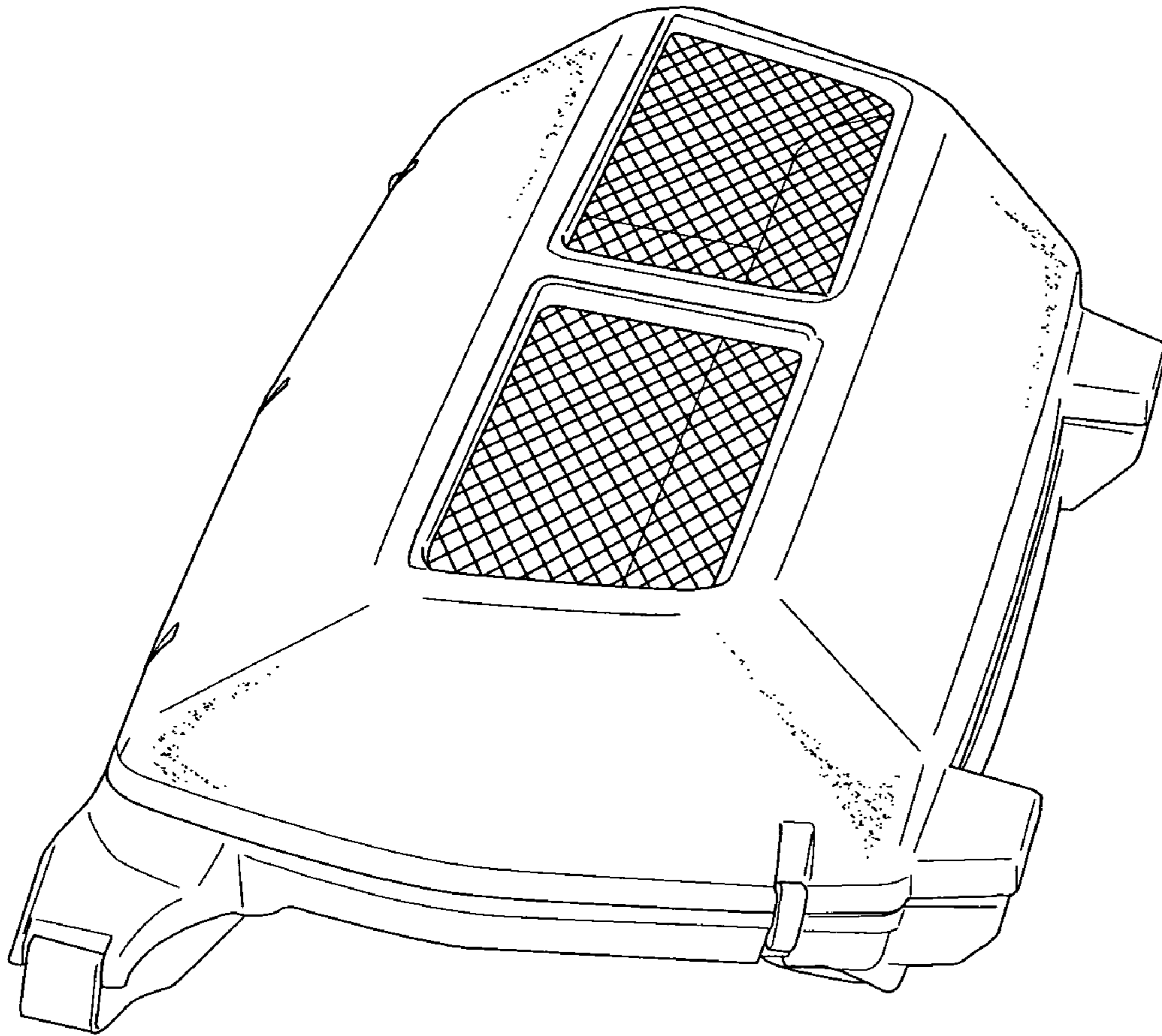


FIG. 3

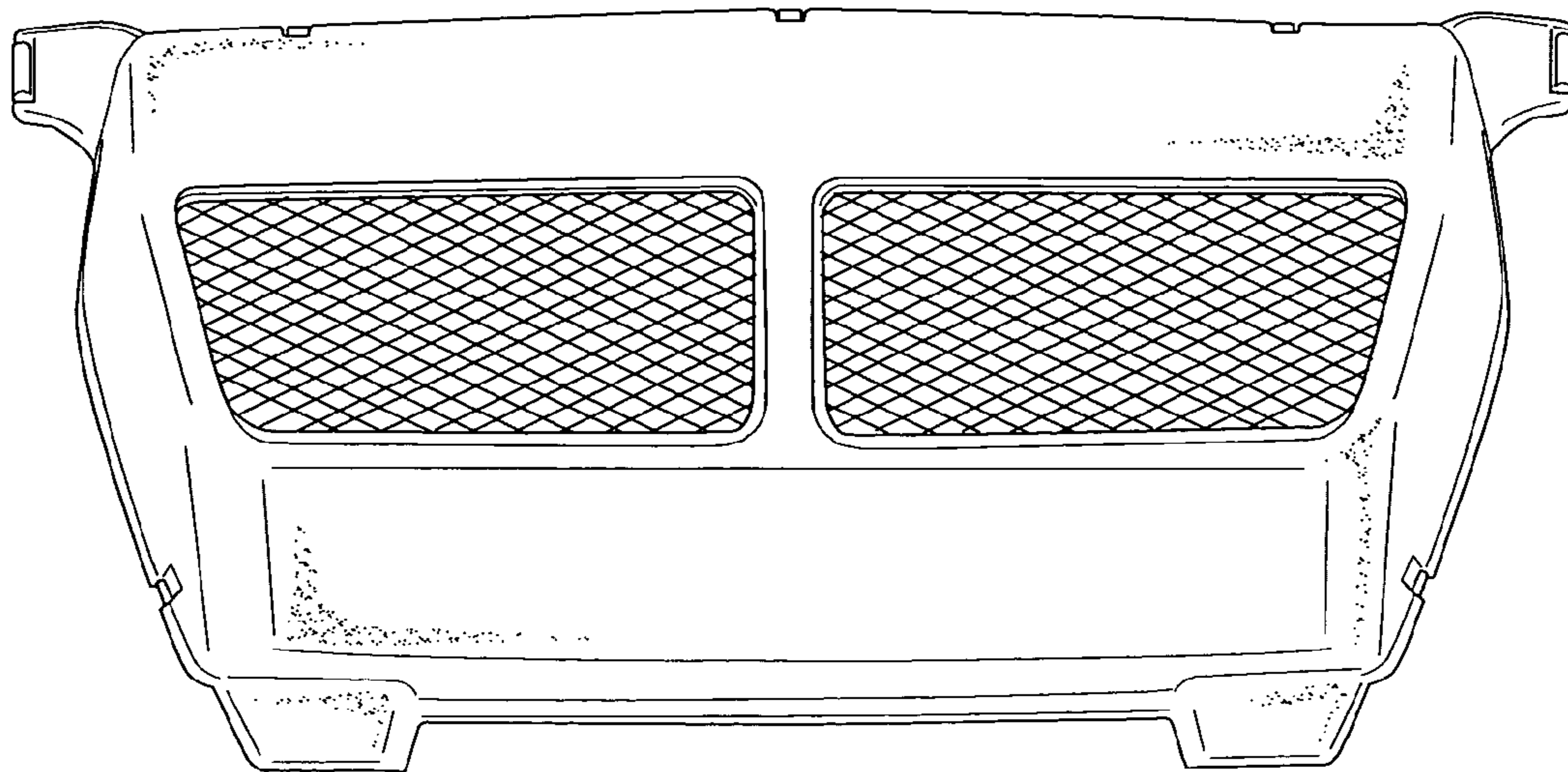


FIG. 4

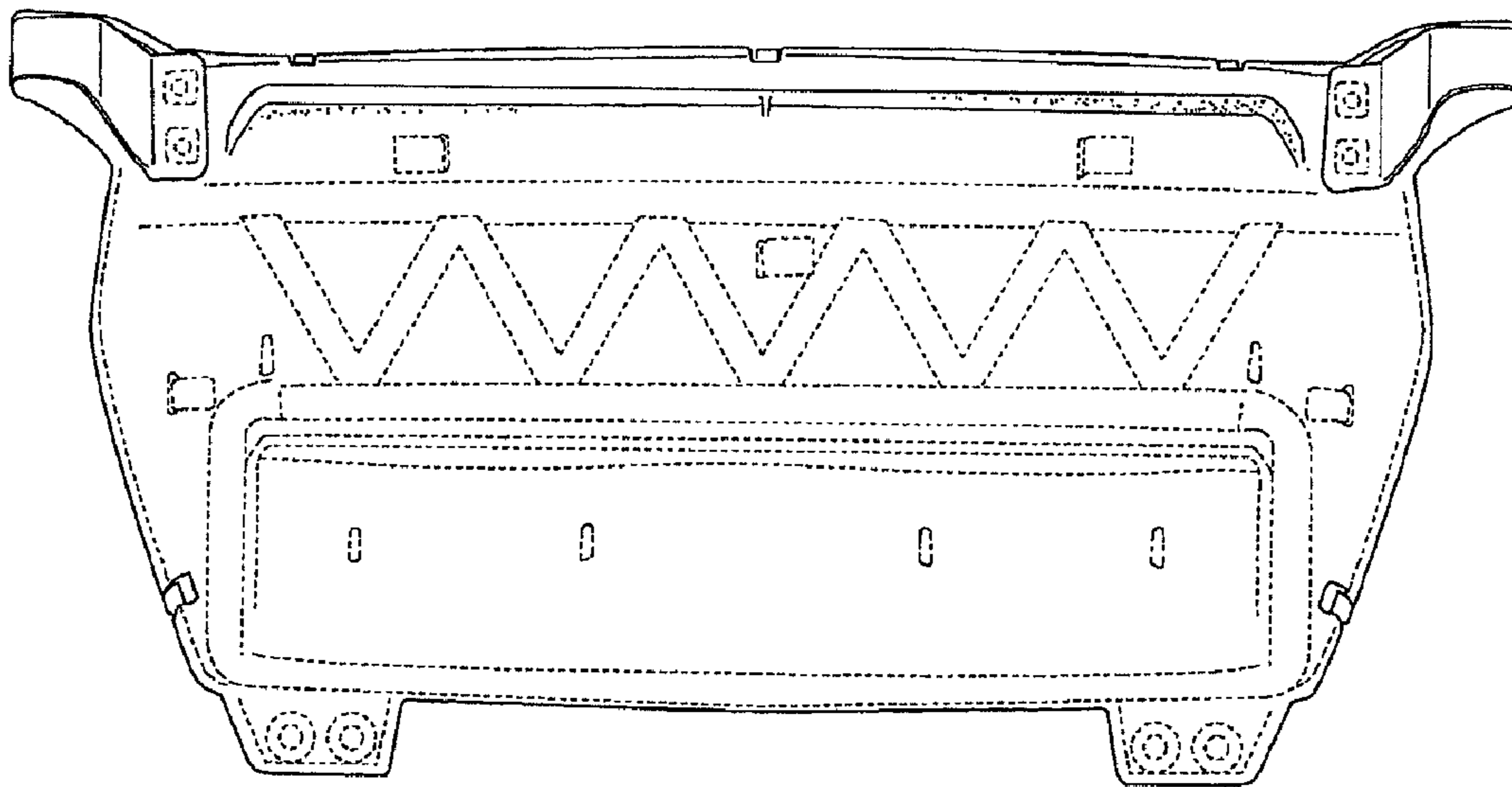


FIG. 5

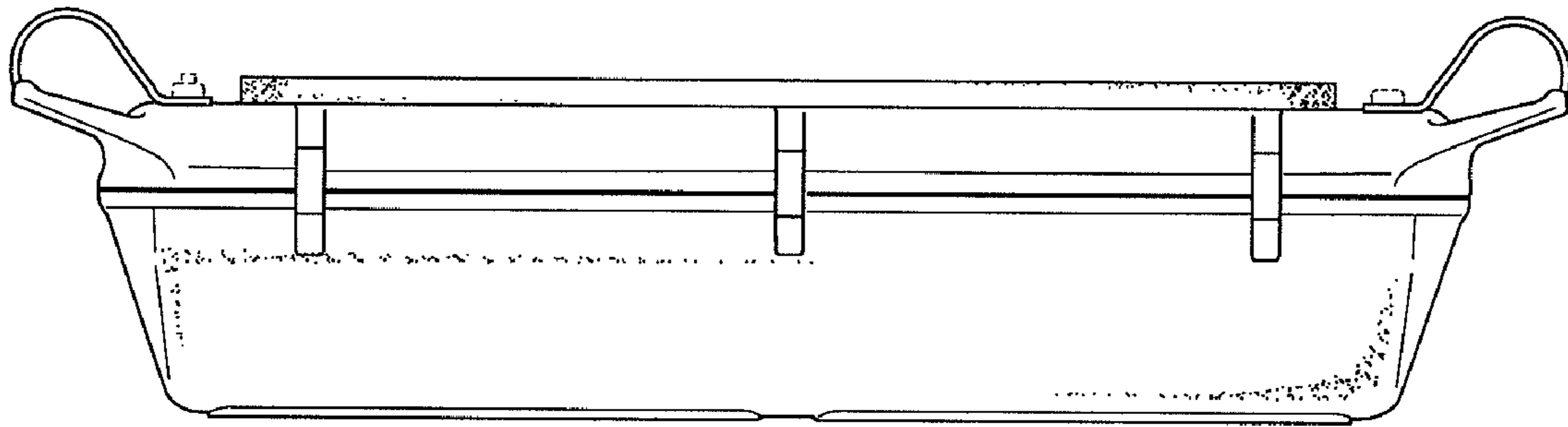


FIG. 6

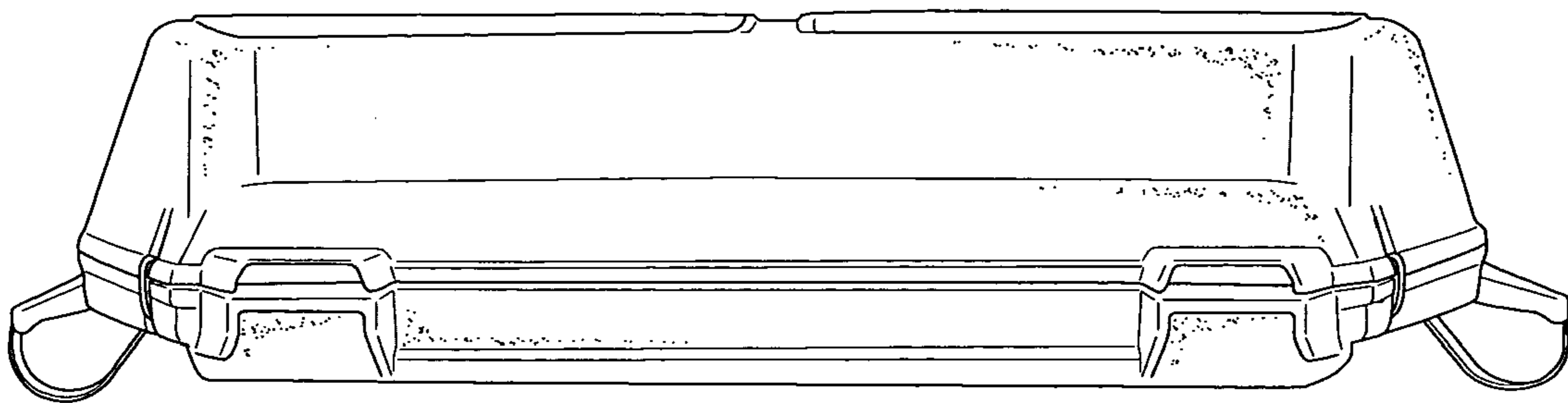


FIG. 7

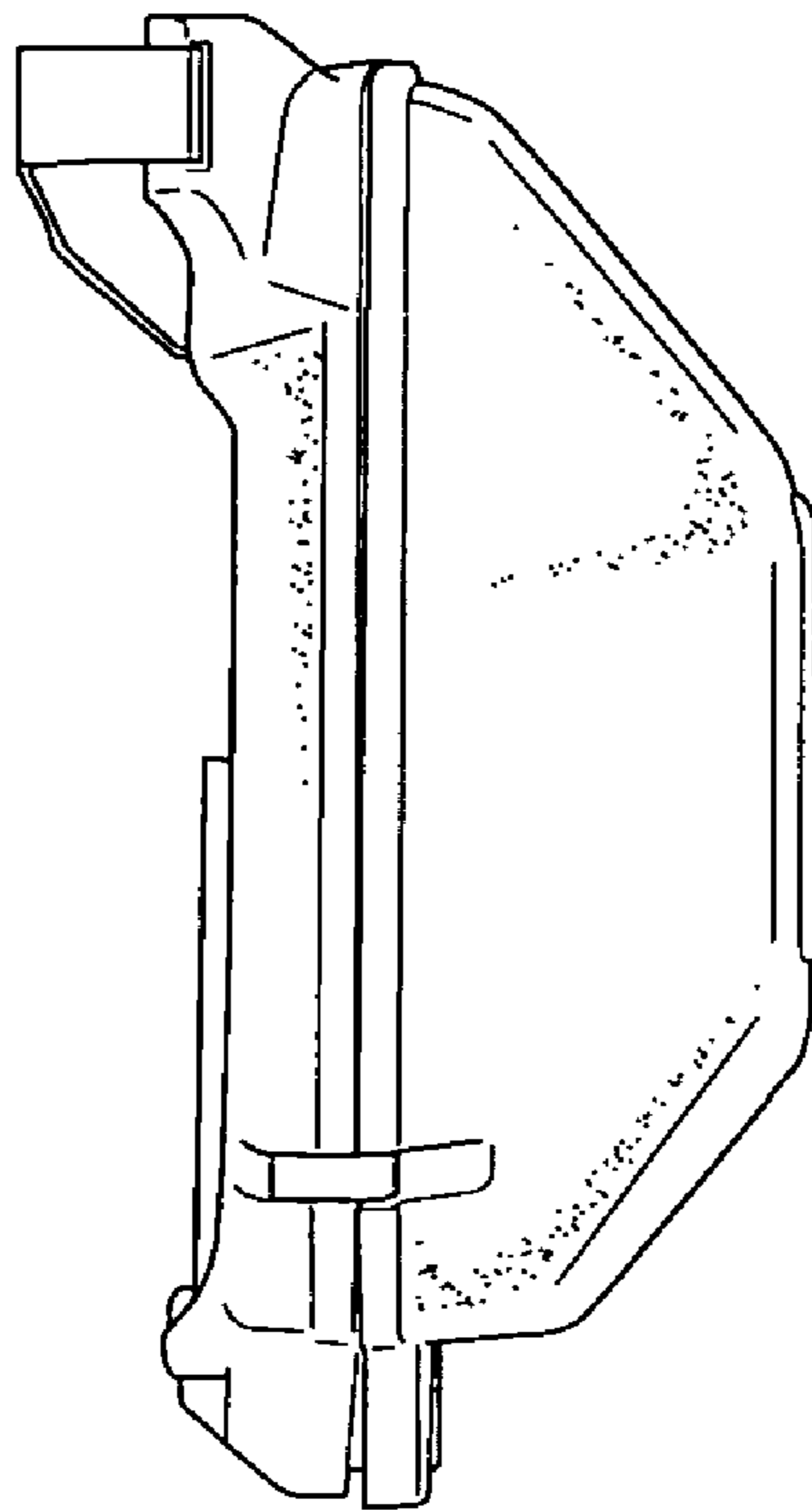


FIG. 8

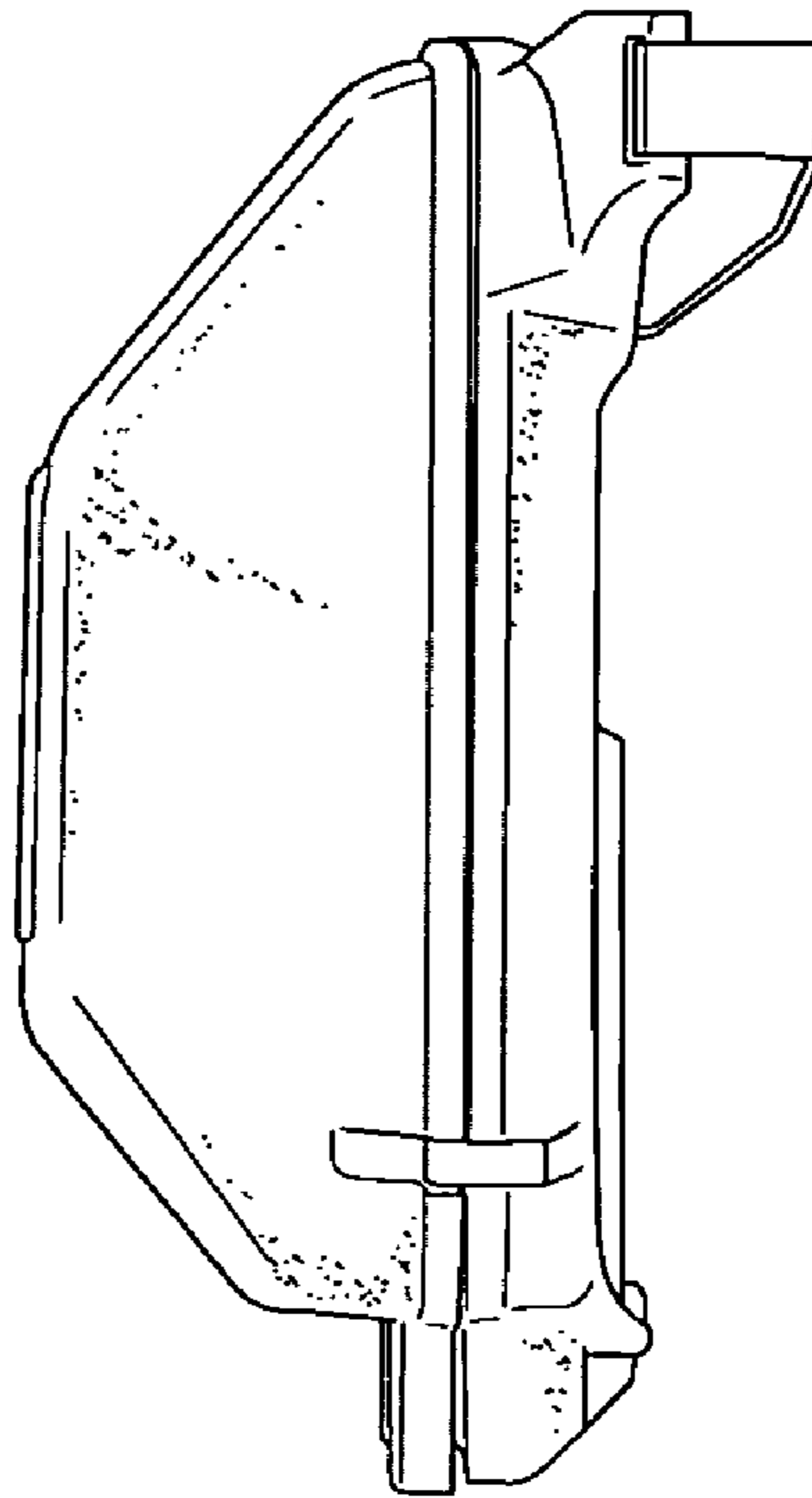


FIG. 9

