



US00D596120S

(12) **United States Design Patent**  
**Miyaji et al.**

(10) **Patent No.:** **US D596,120 S**  
(45) **Date of Patent:** **\*\* Jul. 14, 2009**

(54) **ROTATOR FOR VEHICLE ALTERNATOR**

(75) Inventors: **Wakaki Miyaji**, Tokyo (JP); **Kenji Nakao**, Tokyo (JP); **Shogo Okamoto**, Tokyo (JP)

(73) Assignee: **Mitsubishi Denki Kabushiki Kaisha**, Tokyo (JP)

(\*\*) Term: **14 Years**

(21) Appl. No.: **29/284,210**

(22) Filed: **Sep. 4, 2007**

(30) **Foreign Application Priority Data**

May 25, 2007 (JP) ..... 2007-013875

(51) **LOC (9) Cl.** ..... **13-01**

(52) **U.S. Cl.** ..... **D13/122**

(58) **Field of Classification Search** ..... D13/122,  
D13/113, 114, 117, 118, 199; D15/5, 199;  
29/596; 290/1 C, 39, 46, 49; 310/68 C, 68 D,  
310/125, 156.07, 179, 180, 191, 217, 218,  
310/258

See application file for complete search history.

(56) **References Cited**

**U.S. PATENT DOCUMENTS**

4,546,280 A \* 10/1985 Pfluger ..... 310/68 D  
5,274,292 A \* 12/1993 Lemmer et al. .... 310/233  
D354,476 S \* 1/1995 Ehrhart ..... D13/122

D425,020 S \* 5/2000 Becker et al. .... D13/114  
6,278,214 B1 \* 8/2001 Suzuki et al. .... 310/217  
6,848,165 B1 \* 2/2005 Furuse ..... 29/596  
D502,917 S \* 3/2005 Bird et al. .... D13/114  
6,943,478 B2 \* 9/2005 Zepp et al. .... 310/191  
D525,196 S \* 7/2006 Rose et al. .... D13/122

**FOREIGN PATENT DOCUMENTS**

JP 1190607 S 11/2003

\* cited by examiner

*Primary Examiner*—Prabhakar Deshmukh

*Assistant Examiner*—Derrick Holland

(74) *Attorney, Agent, or Firm*—Sughrue Mion, PLLC

(57) **CLAIM**

The ornamental design for a rotator for vehicle alternator, as shown.

**DESCRIPTION**

FIG. 1 is a perspective view of the top, front, and left side of the rotator for vehicle alternator showing our new design;

FIG. 2 is a front elevational view thereof;

FIG. 3 is a rear elevational view thereof;

FIG. 4 is a top plan view;

FIG. 5 is a bottom plan view;

FIG. 6 is a right side elevational view thereof; and,

FIG. 7 is a left side elevational view thereof.

**1 Claim, 7 Drawing Sheets**

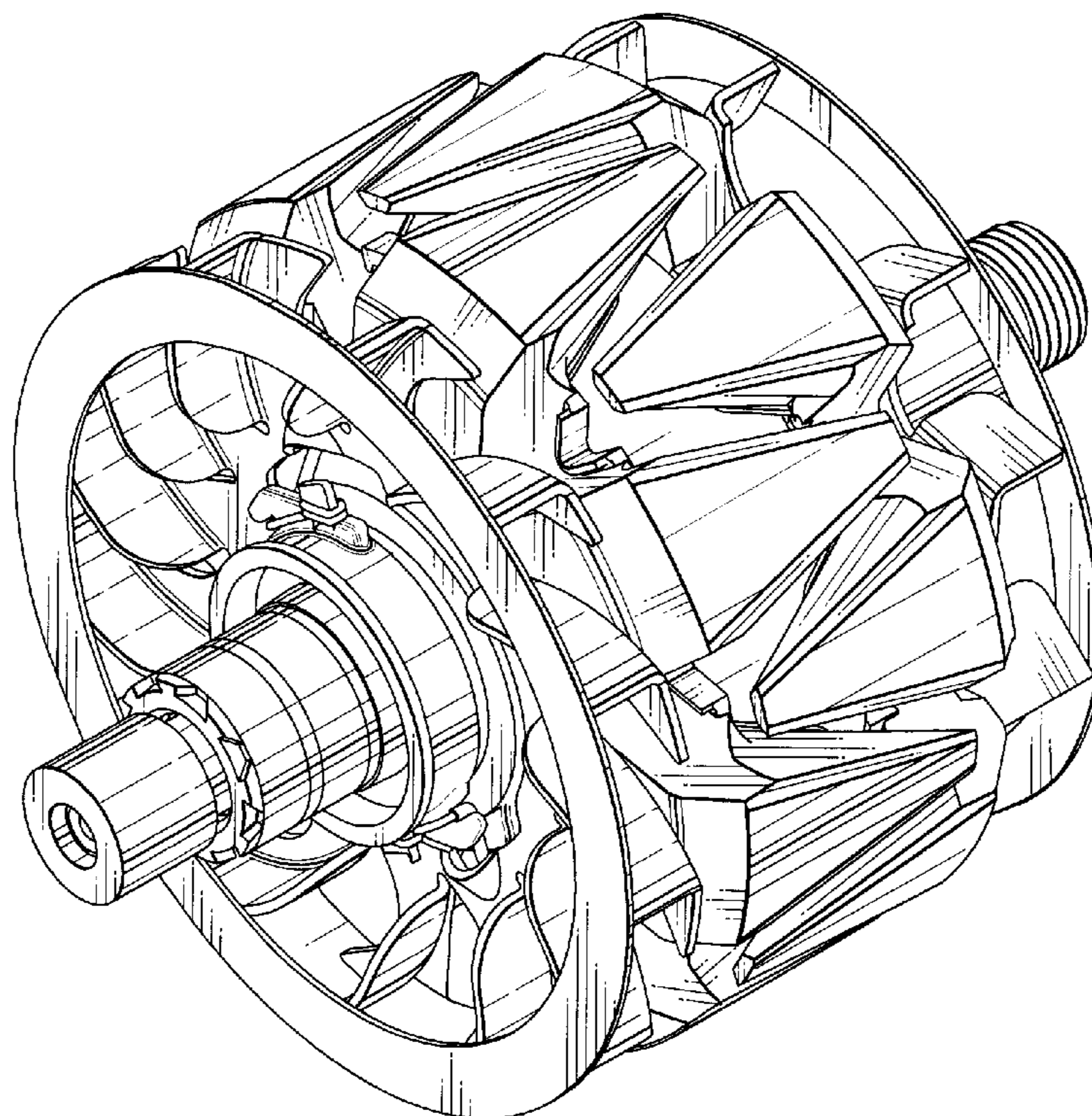


FIG. 1

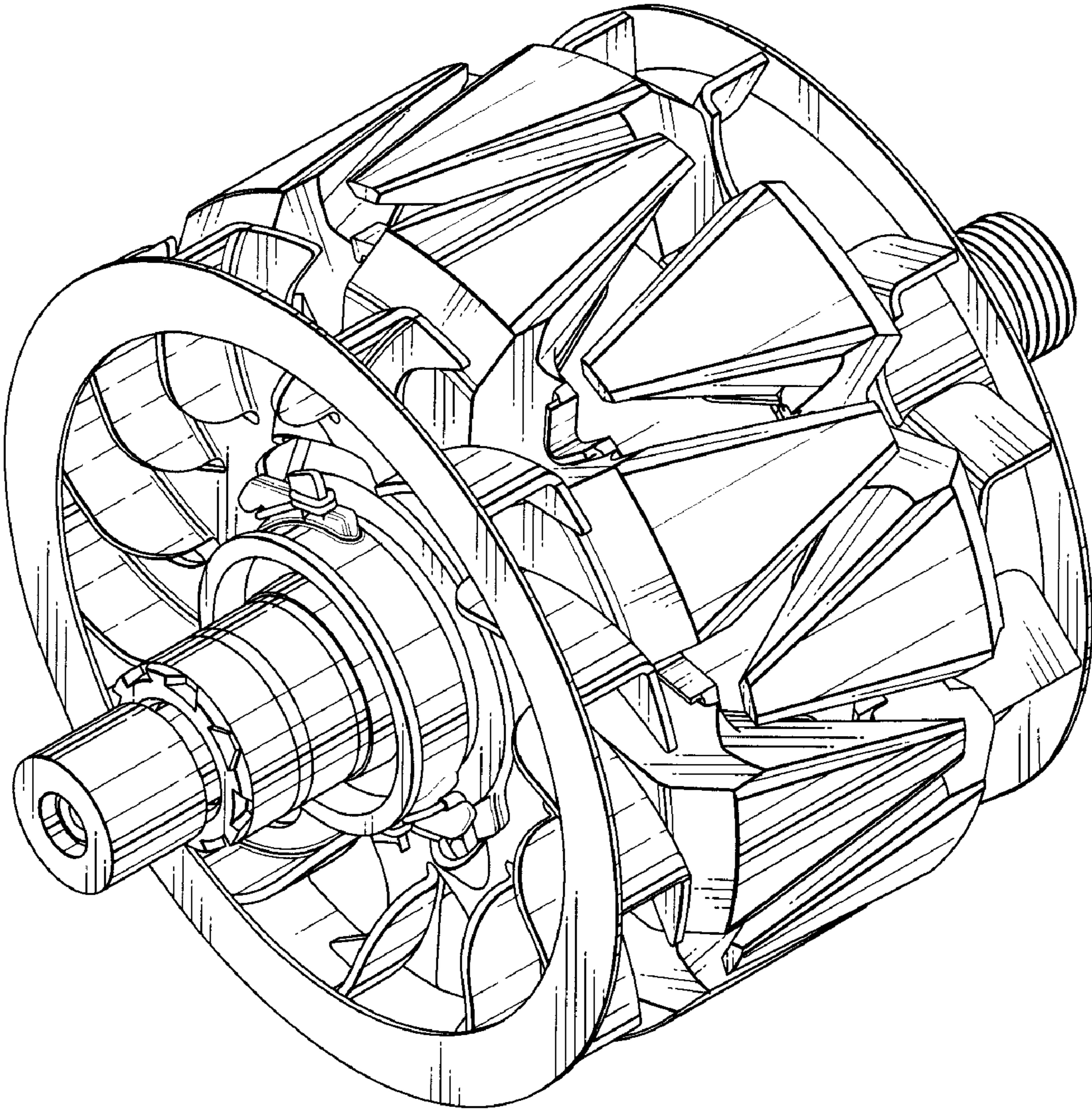


FIG.2

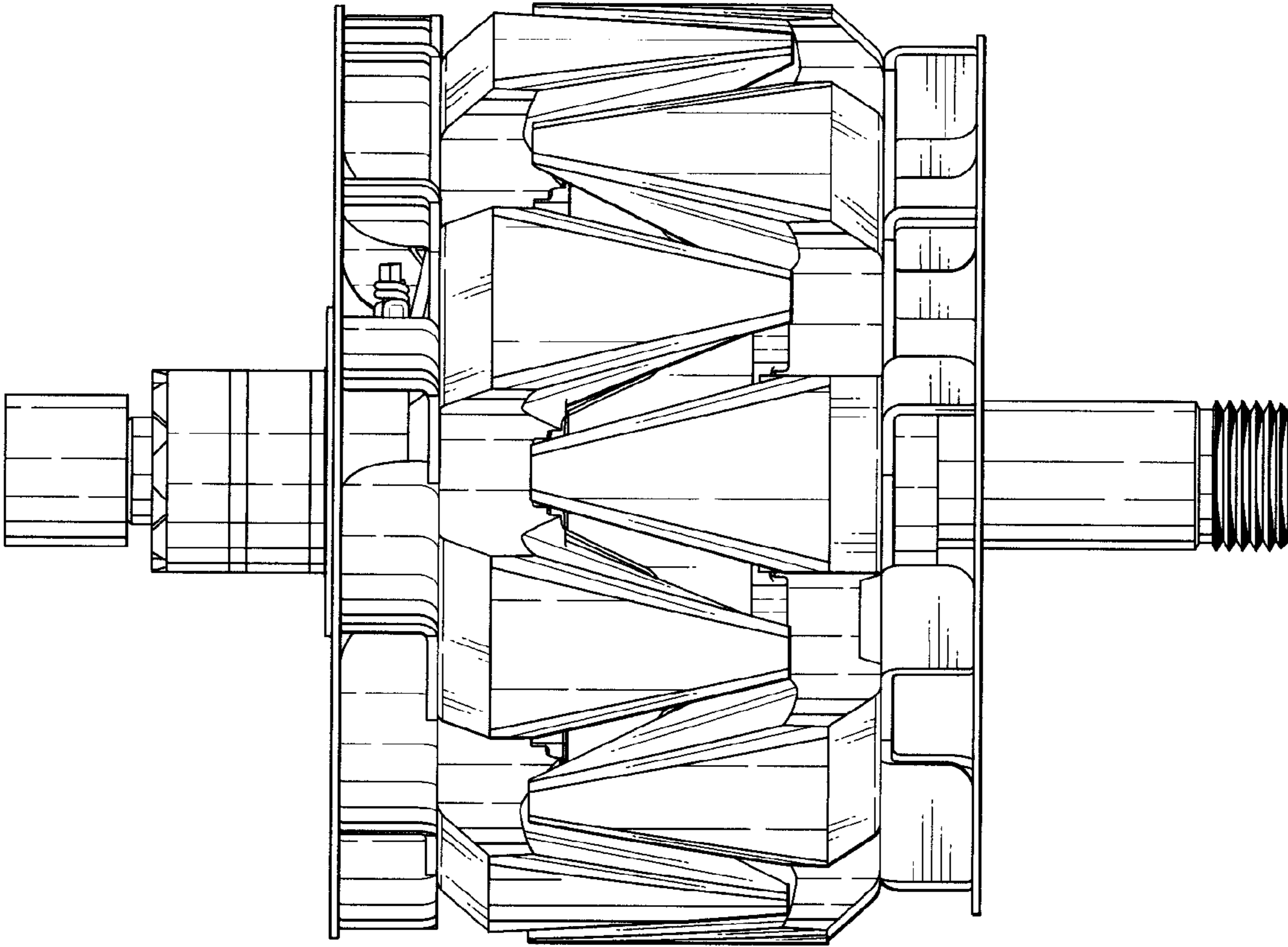


FIG.3

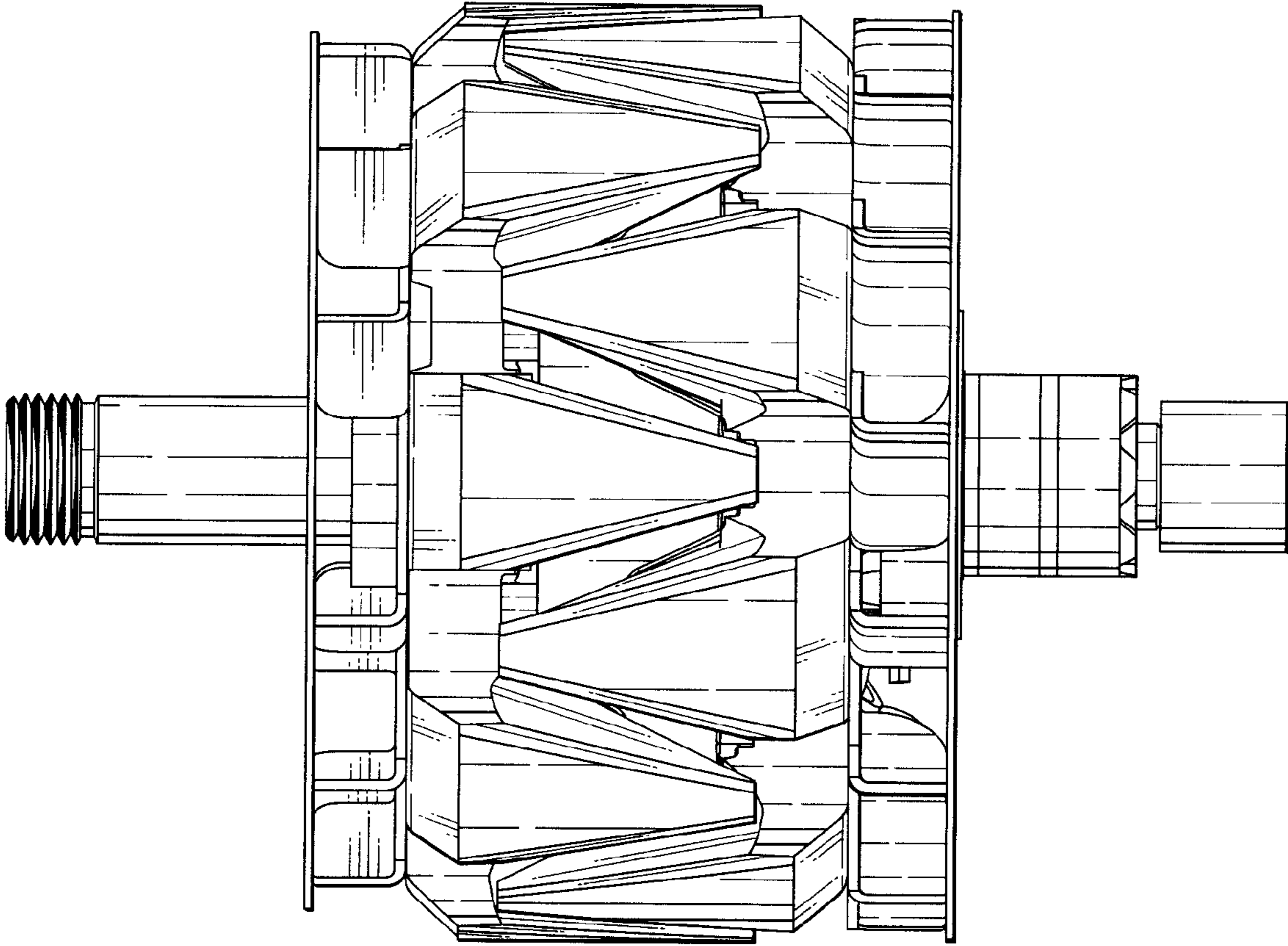


FIG.4

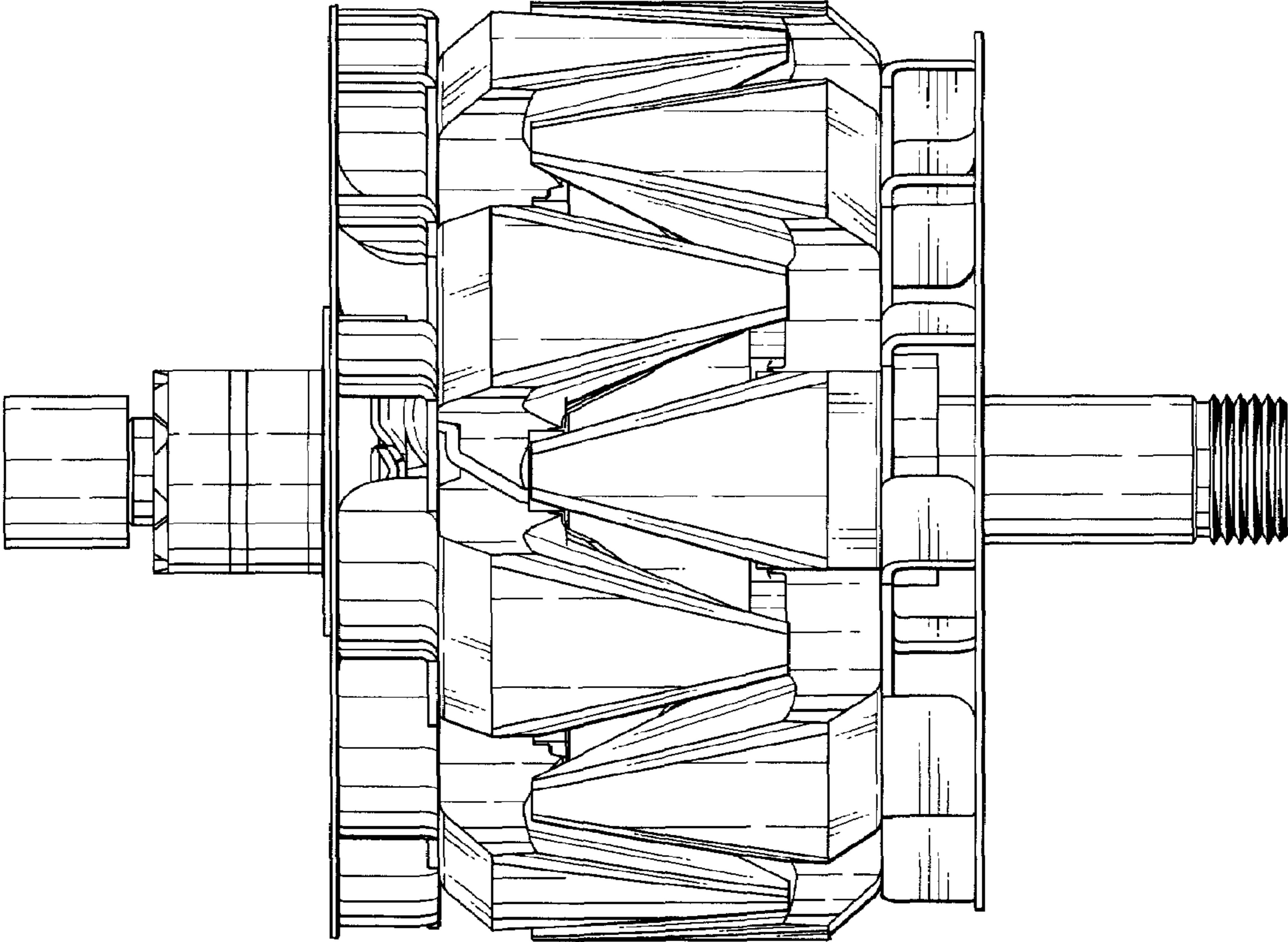


FIG.5

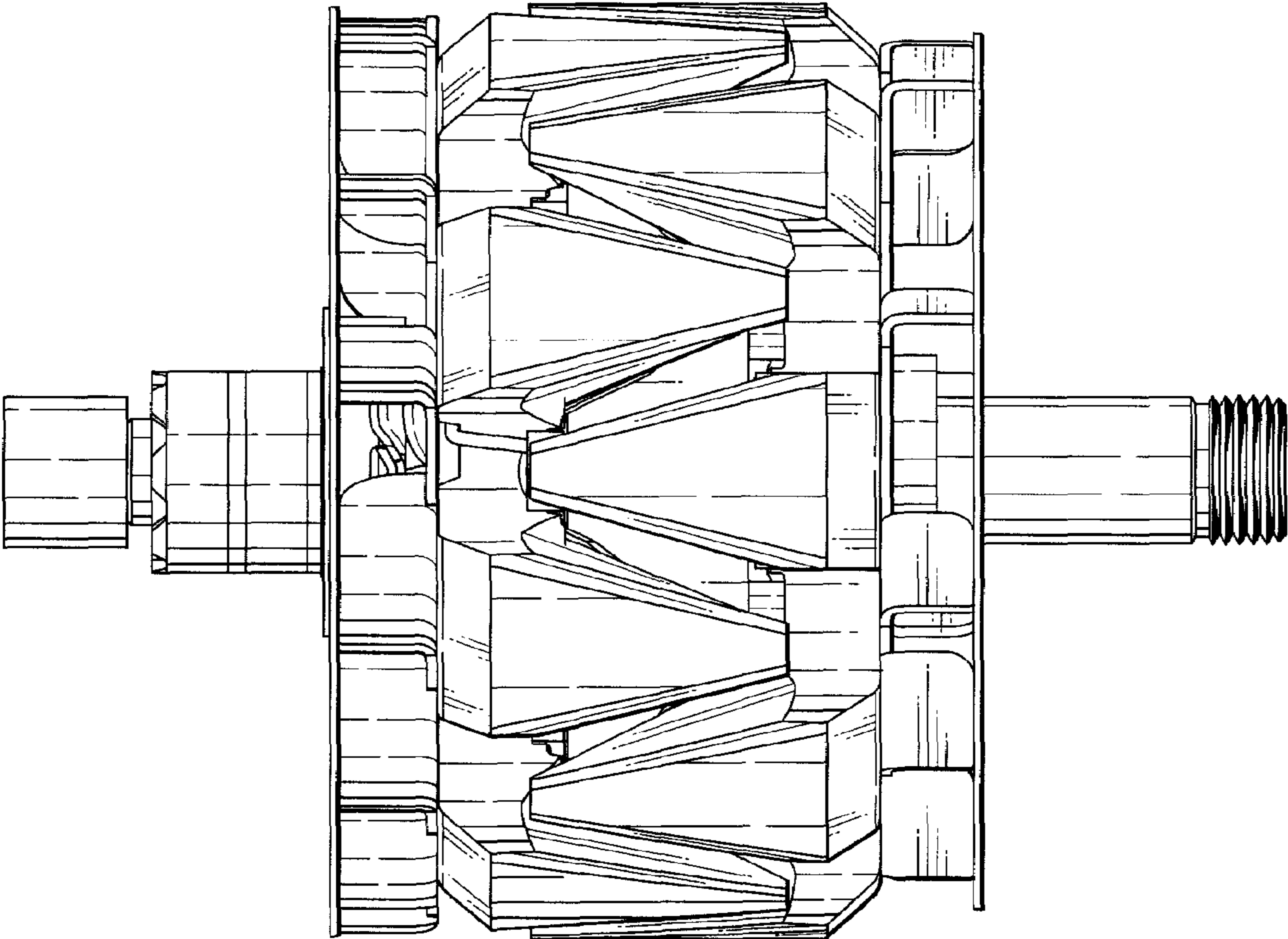


FIG.6

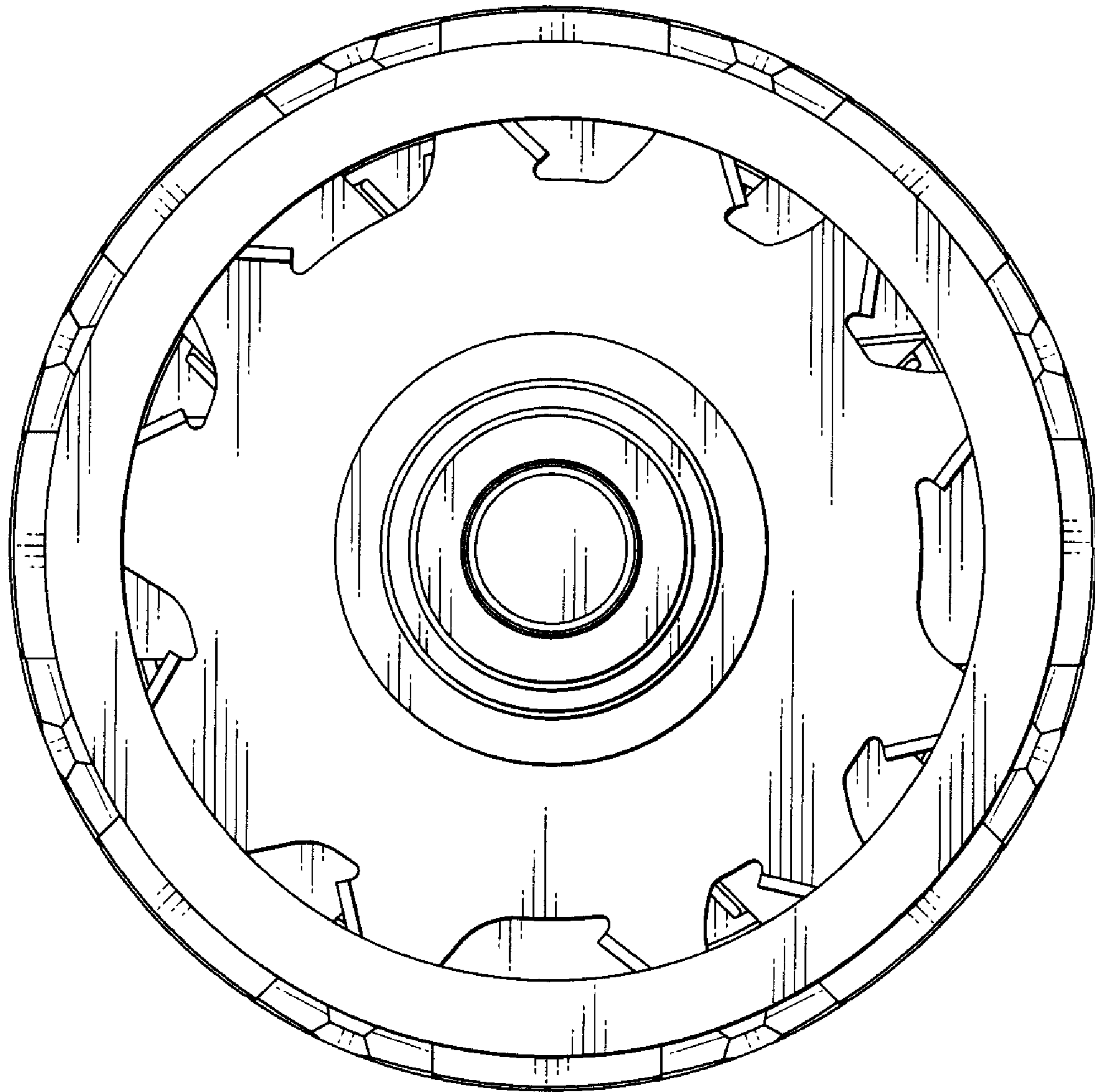


FIG.7

