



US00D596117S

(12) **United States Design Patent**  
**Yonetsu**

(10) **Patent No.:** **US D596,117 S**  
(45) **Date of Patent:** **\*\* \*Jul. 14, 2009**

(54) **AUTOMOBILE TIRE**

JP D1171775 S 4/2003

(75) Inventor: **Isao Yonetsu**, Osaka (JP)

\* cited by examiner

(73) Assignee: **Toyo Tire & Rubber Co., Ltd.**,  
Osaka-shi (JP)

*Primary Examiner*—Stacia Cadmus

(74) *Attorney, Agent, or Firm*—Westerman, Hattori, Daniels  
& Adrian, LLP.

(\*) Notice: This patent is subject to a terminal disclaimer.

(57) **CLAIM**

(\*\*) Term: **14 Years**

The ornamental design for an automobile tire, as shown and described.

(21) Appl. No.: **29/327,824**

(22) Filed: **Nov. 13, 2008**

**DESCRIPTION**

(30) **Foreign Application Priority Data**

Oct. 27, 2008 (JP) ..... 2008-027537

FIG. 1 is a front, elevation view of the automobile tire;  
FIG. 2 is a rear, elevation view of the automobile tire;  
FIG. 3 is a left-side, elevation view of the automobile tire;  
FIG. 4 is a top, plan view of the automobile tire;  
FIG. 5 is a perspective view of the automobile tire;  
FIG. 6 is an enlarged view of the part A1—B1 in FIG. 1;  
FIG. 7 is an enlarged cross-section view taken along the line E1—E1 of FIG. 6, in the part C1—C1 of FIG. 4 and the part D—D of FIG. 6.  
FIG. 8 is an enlarged view of the part A2—B2 in FIG. 1; and,  
FIG. 9 is an enlarged cross-section view taken along the line G1—G1 of FIG. 8, in the part C1—C1 of FIG. 4 and the part F—F on FIG. 6.  
The broken line showing of the tire is included for the purpose of illustrating environment and forms no part of the claimed design.

(51) **LOC (9) Cl.** ..... **12-15**  
(52) **U.S. Cl.** ..... **D12/605**  
(58) **Field of Classification Search** ..... D12/500–501,  
D12/544, 579, 600, 605; 152/523–524, DIG. 12,  
152/555; D7/570–576  
See application file for complete search history.

(56) **References Cited**

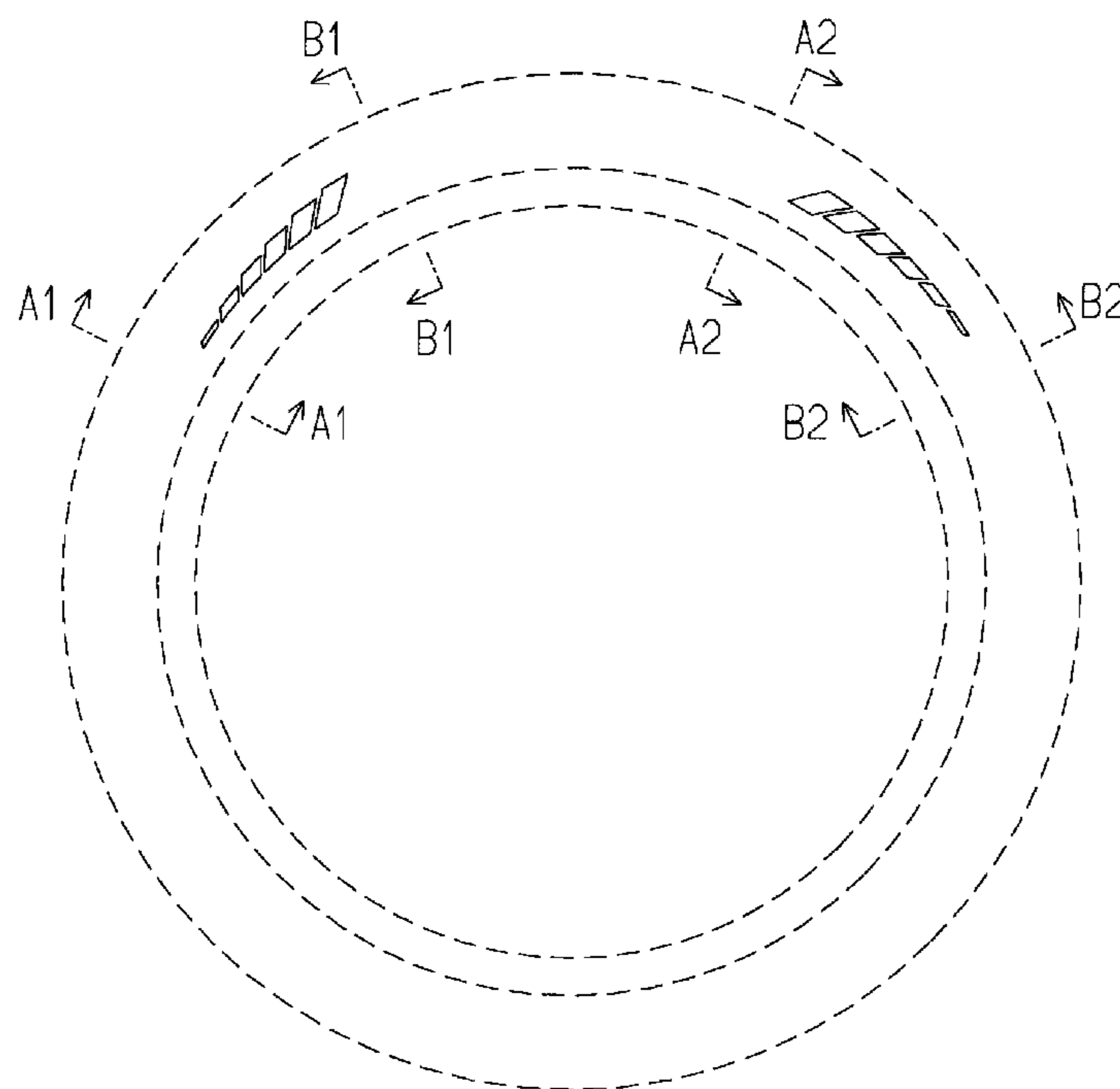
**U.S. PATENT DOCUMENTS**

D569,336 S \* 5/2008 Onoe ..... D12/605  
D569,791 S \* 5/2008 Iwabuchi et al. .... D12/605  
D574,766 S \* 8/2008 Iwabuchi et al. .... D12/605  
D576,544 S \* 9/2008 Onoe ..... D12/605

**FOREIGN PATENT DOCUMENTS**

JP D1137214 S 3/2002

**1 Claim, 9 Drawing Sheets**



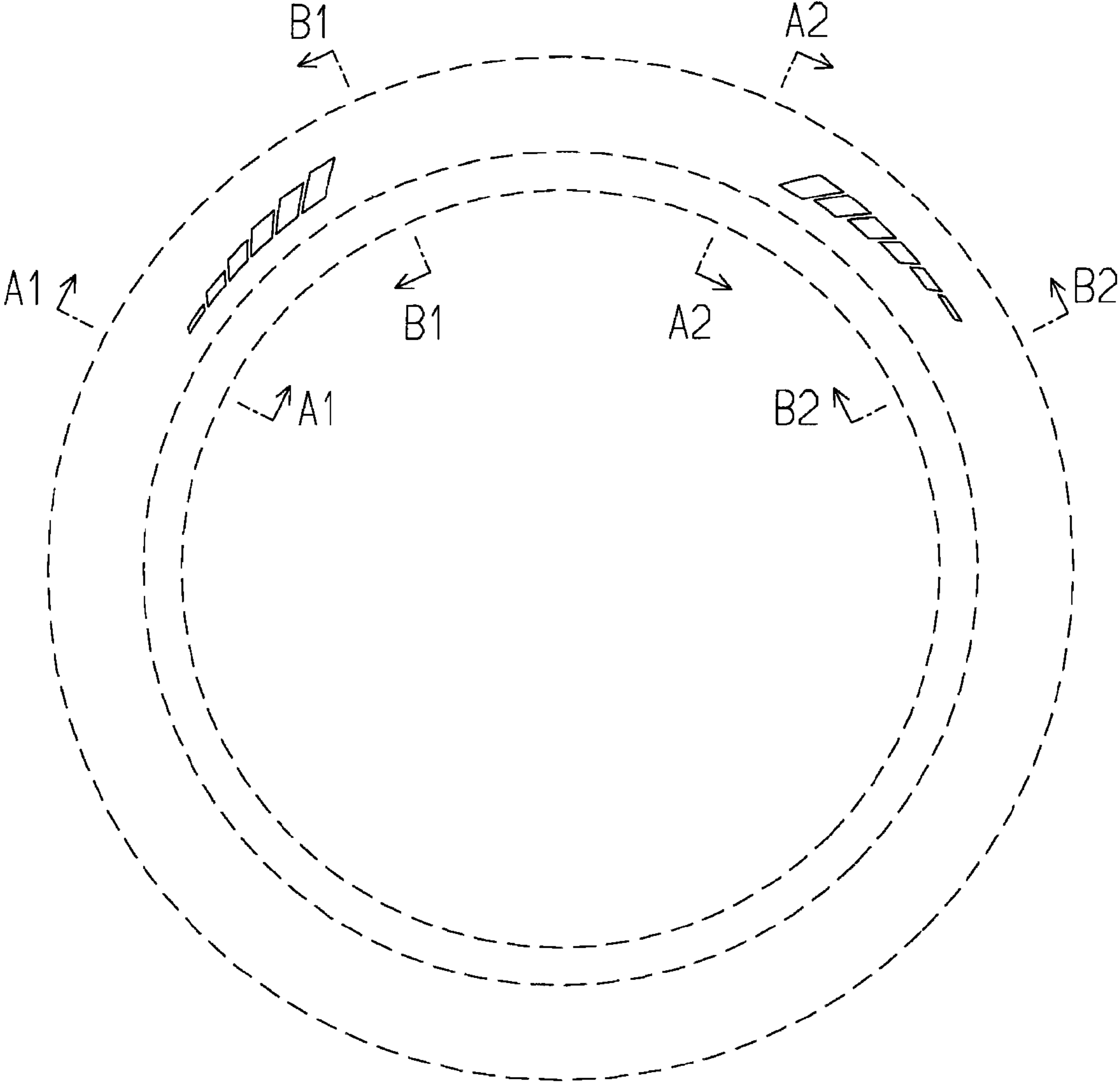


FIG.1

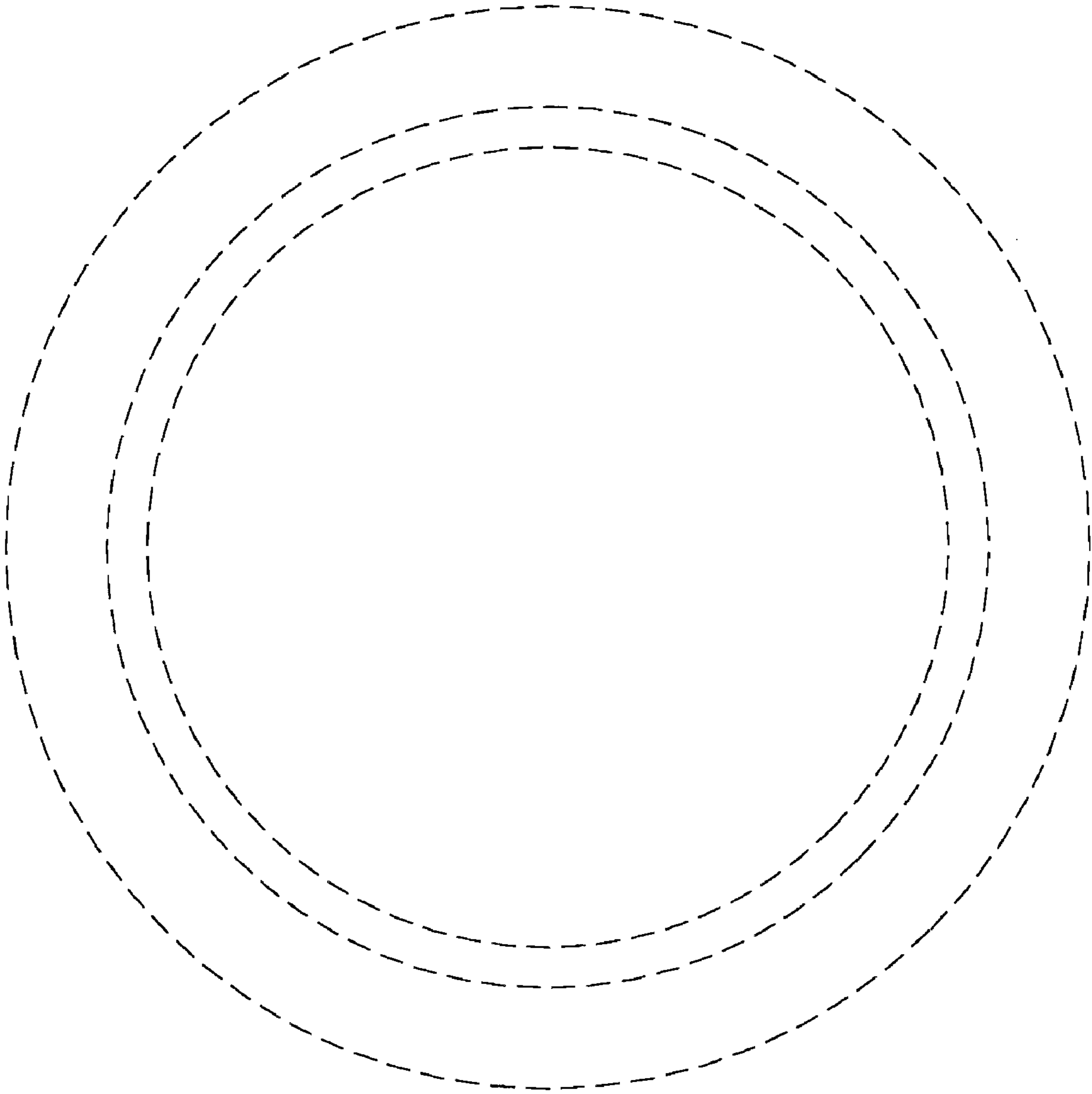


FIG.2

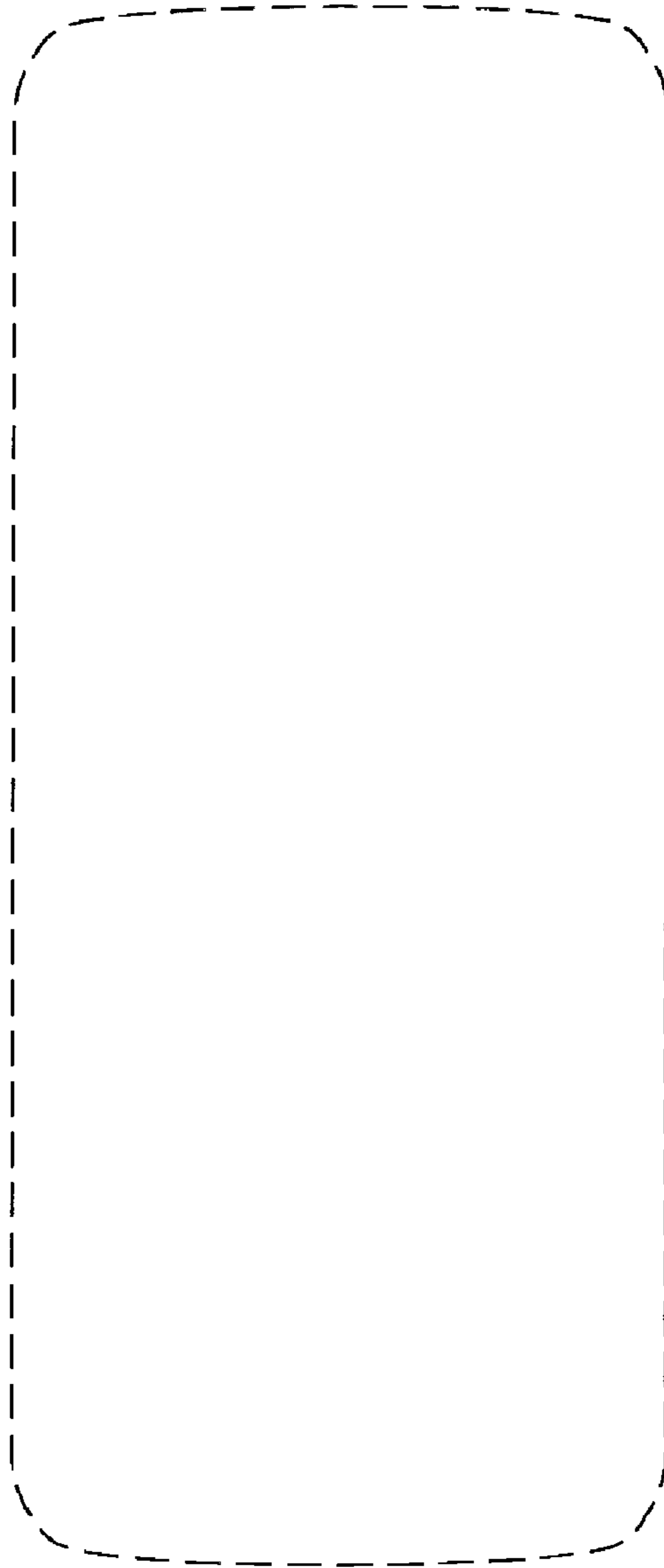


FIG.3

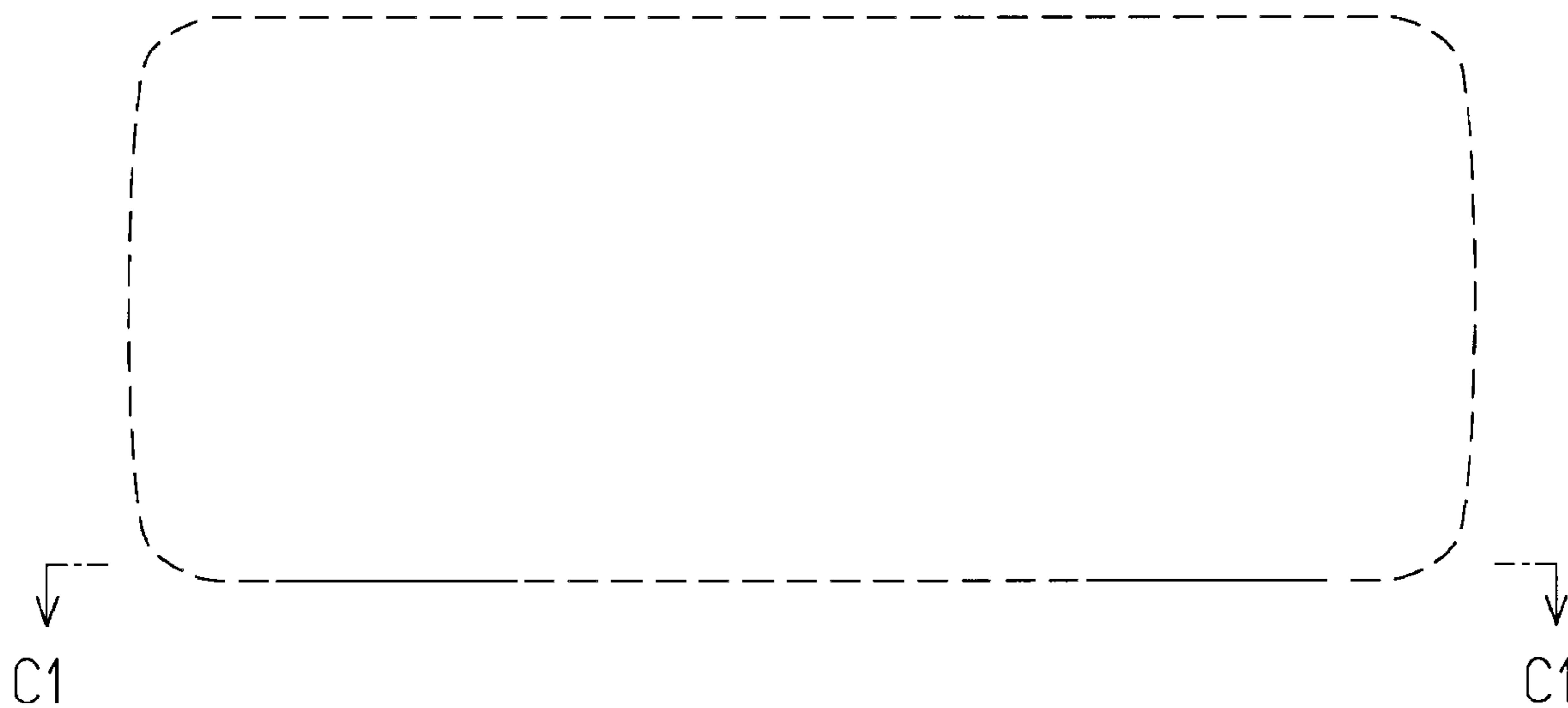


FIG.4

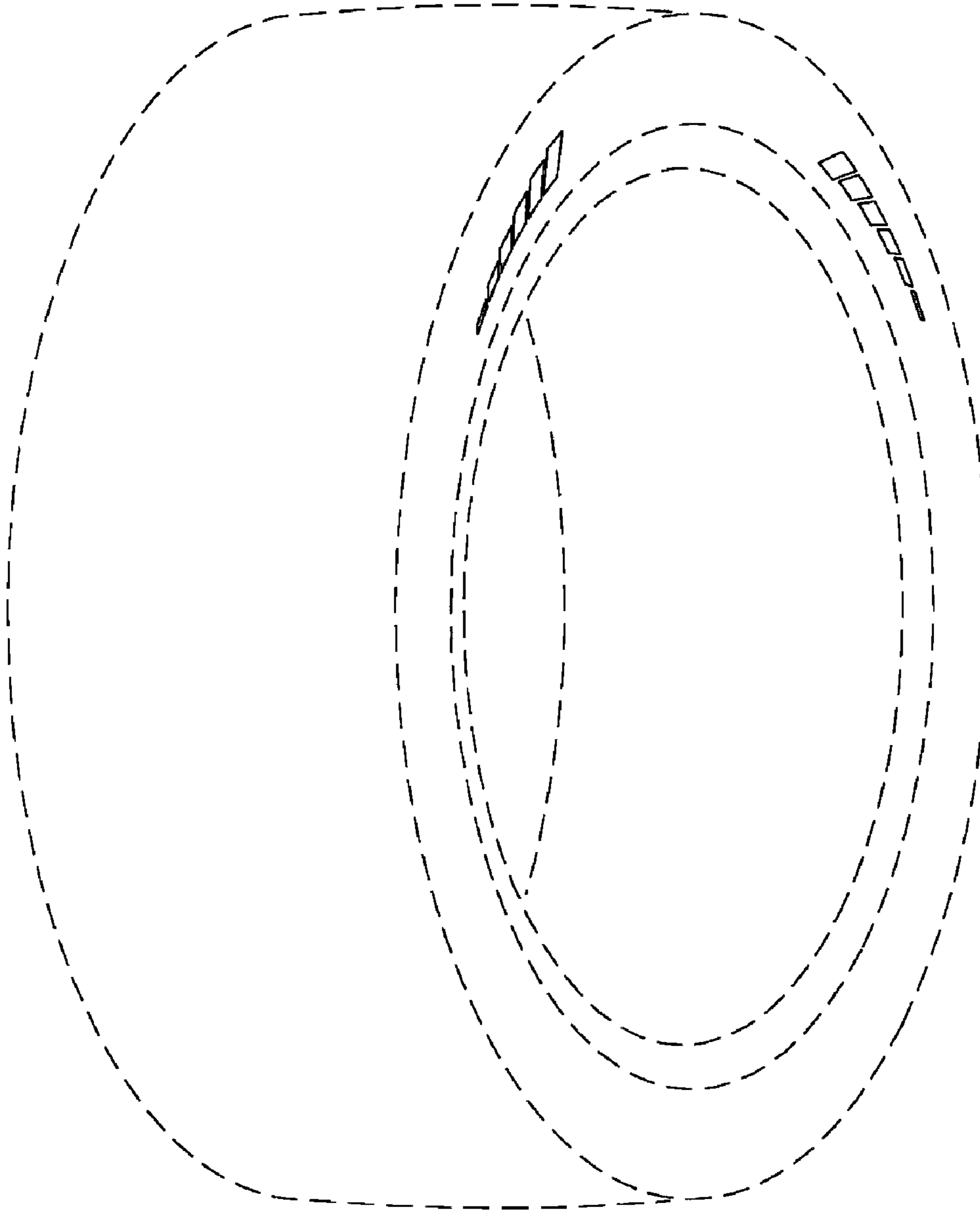


FIG.5

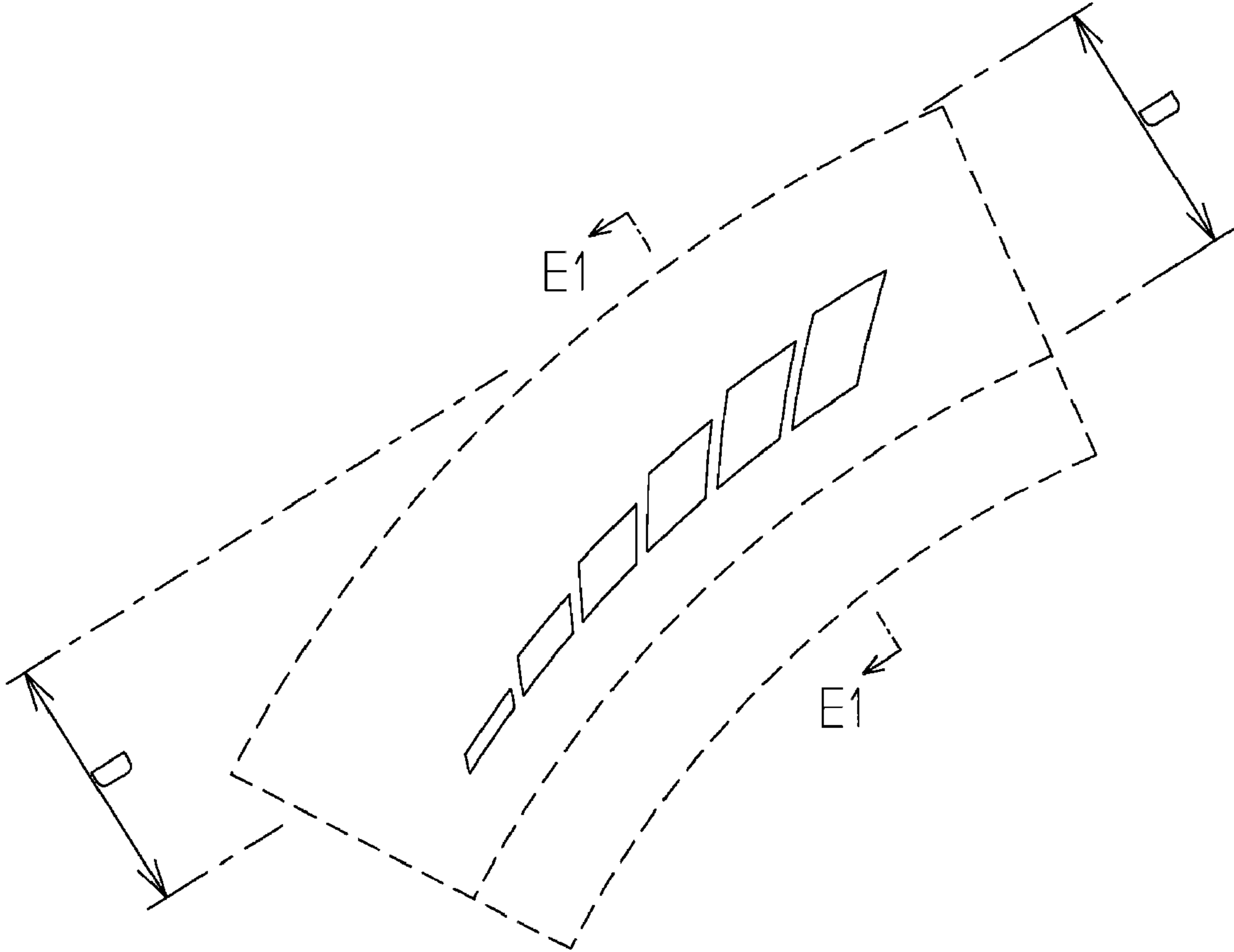


FIG.6

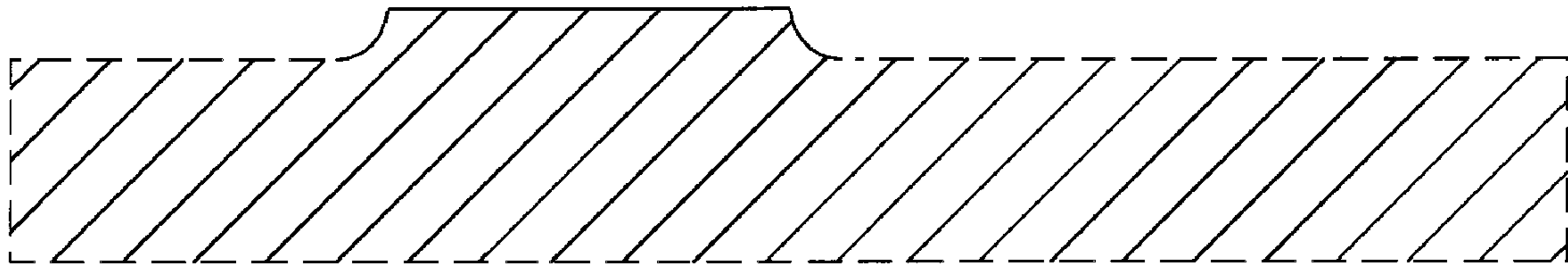


FIG.7



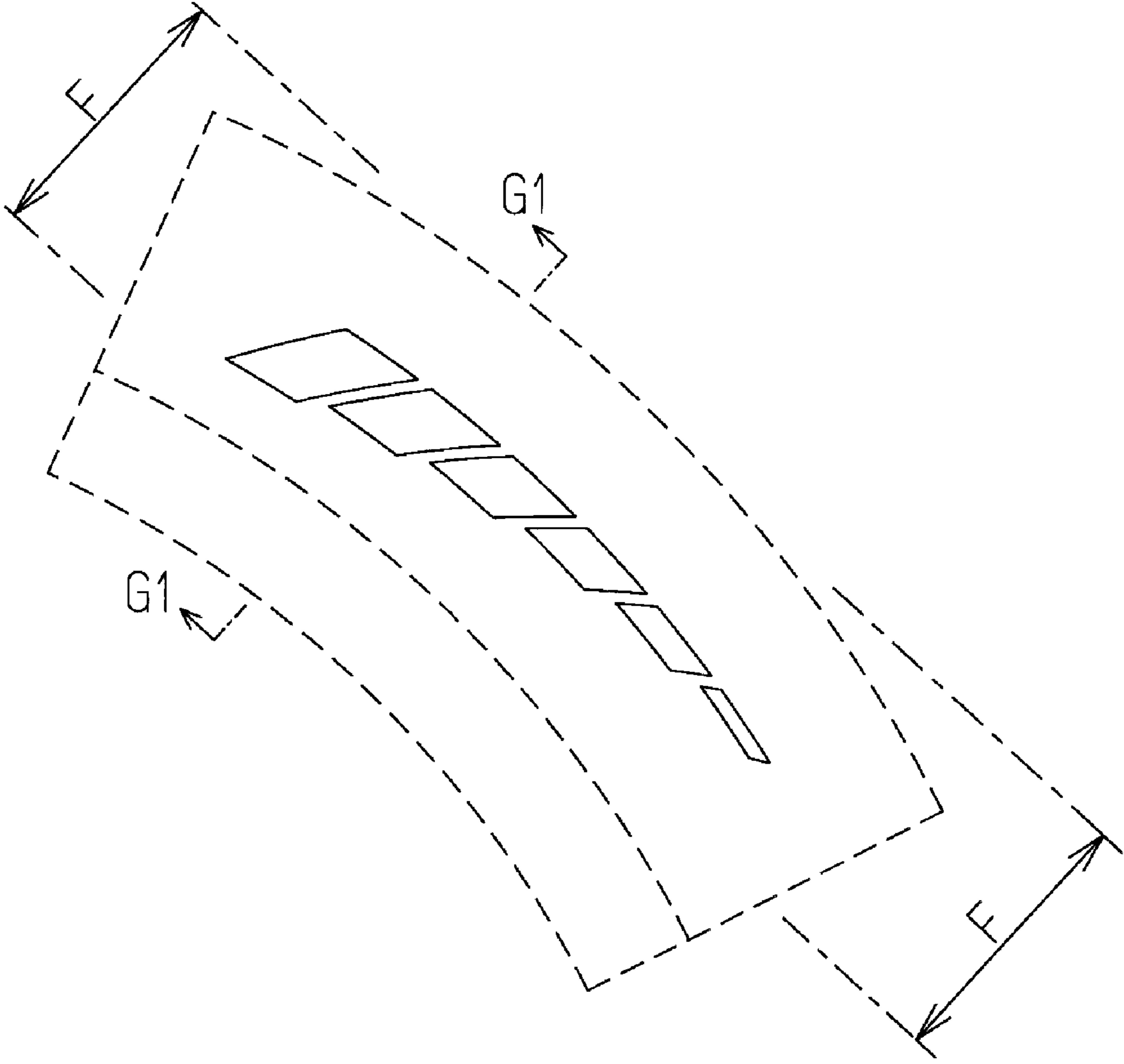


FIG.8

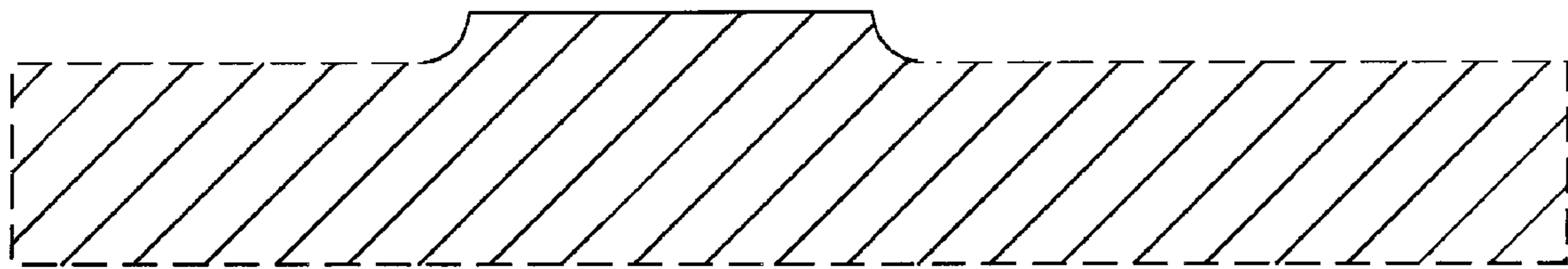


FIG.9