



US00D596116S

(12) **United States Design Patent**
Fujita

(10) **Patent No.:** **US D596,116 S**
(45) **Date of Patent:** **** Jul. 14, 2009**

(54) **TIRE SIDEWALL**

D575,222 S * 8/2008 Fujita D12/605
D584,682 S * 1/2009 Tanaka D12/605

(75) Inventor: **Shungo Fujita**, Tokyo (JP)

* cited by examiner

(73) Assignee: **Bridgestone Corporation**, Tokyo (JP)

Primary Examiner—Stacia Cadmus

(**) Term: **14 Years**

(74) *Attorney, Agent, or Firm*—Sughrue Mion, PLLC

(21) Appl. No.: **29/319,713**

(57) **CLAIM**

(22) Filed: **Jun. 13, 2008**

The ornamental design for a tire sidewall, as shown and described.

(51) **LOC (9) Cl.** **12-15**

(52) **U.S. Cl.** **D12/605**

(58) **Field of Classification Search** D12/500–501,
D12/544, 579, 600, 605, 604; 152/523–524,
152/DIG. 12, 555

See application file for complete search history.

DESCRIPTION

(56) **References Cited**

U.S. PATENT DOCUMENTS

- D449,576 S * 10/2001 Kajikawa D12/605
- D452,203 S * 12/2001 Kajikawa D12/605
- D504,867 S * 5/2005 Maxwell et al. D12/605
- D546,273 S * 7/2007 Dumigan D12/605
- D549,166 S * 8/2007 Lee D12/605
- D553,076 S * 10/2007 Miyasaka D12/605
- D554,577 S * 11/2007 Miyazaki D12/605
- D569,792 S * 5/2008 Holden et al. D12/605

FIG. 1 is a perspective view of the tire sidewall showing my new design;

FIG. 2 is a front view thereof;

FIG. 3 is a left side view thereof;

FIG. 4 is a top plan view thereof;

FIG. 5 is a fragmentary enlarged view showing the details of the left side portion thereof; and,

FIG. 6 is a sectional view taken along line A—A in FIG. 5.

The broken line showing of the tire is included for the purpose of illustrating environment and forms no part of the claimed design.

1 Claim, 6 Drawing Sheets

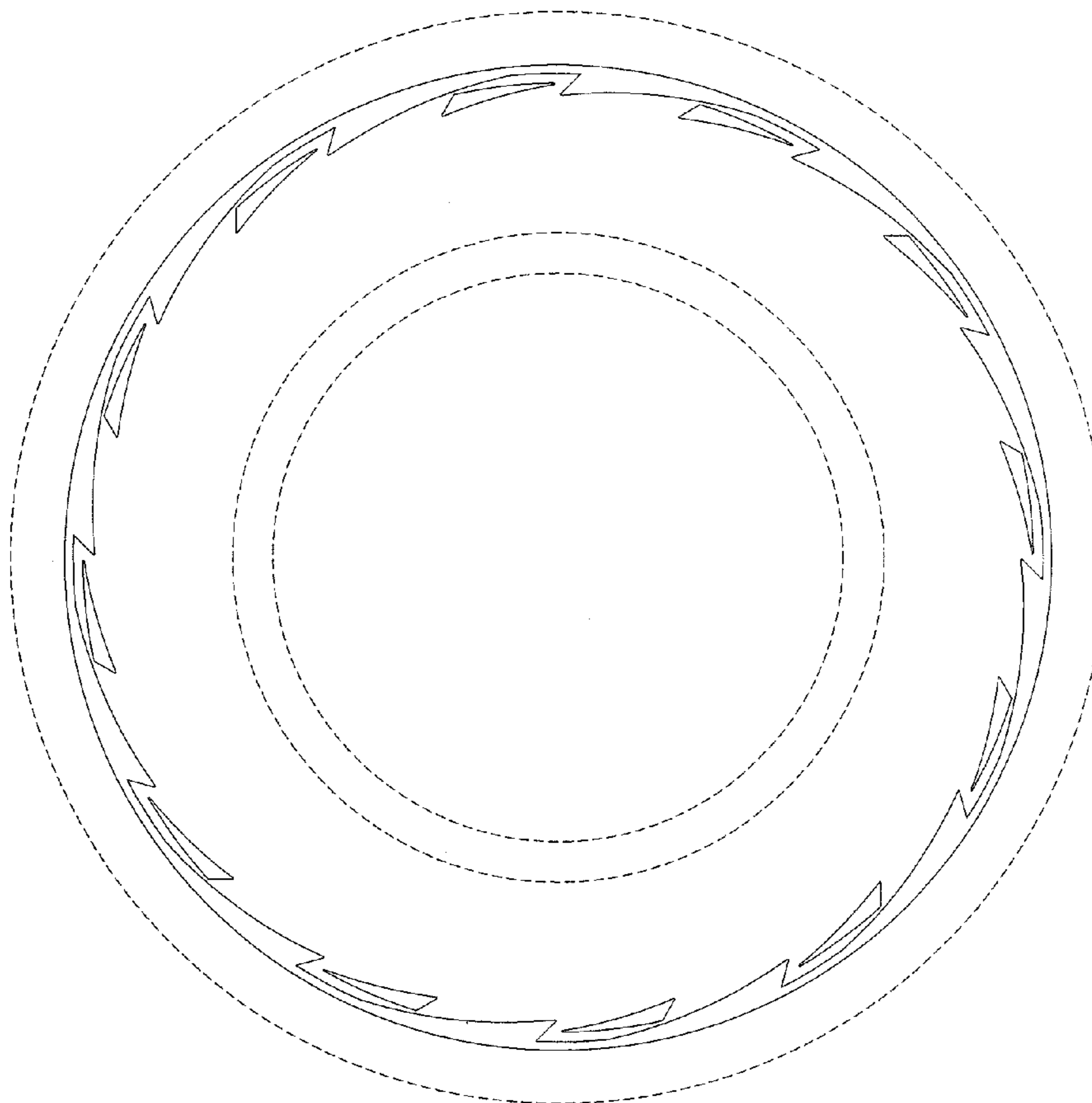


FIG. 1

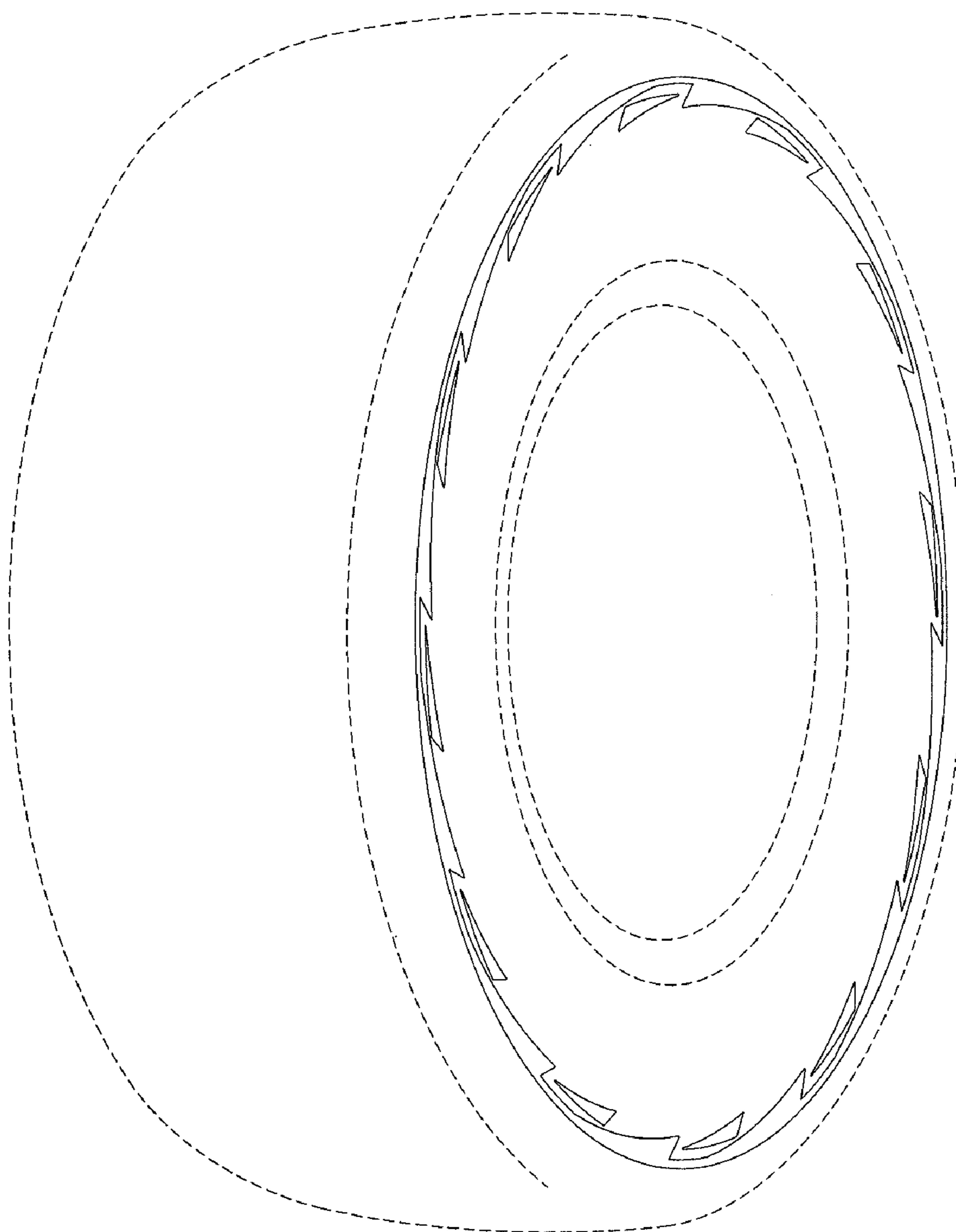


FIG. 2

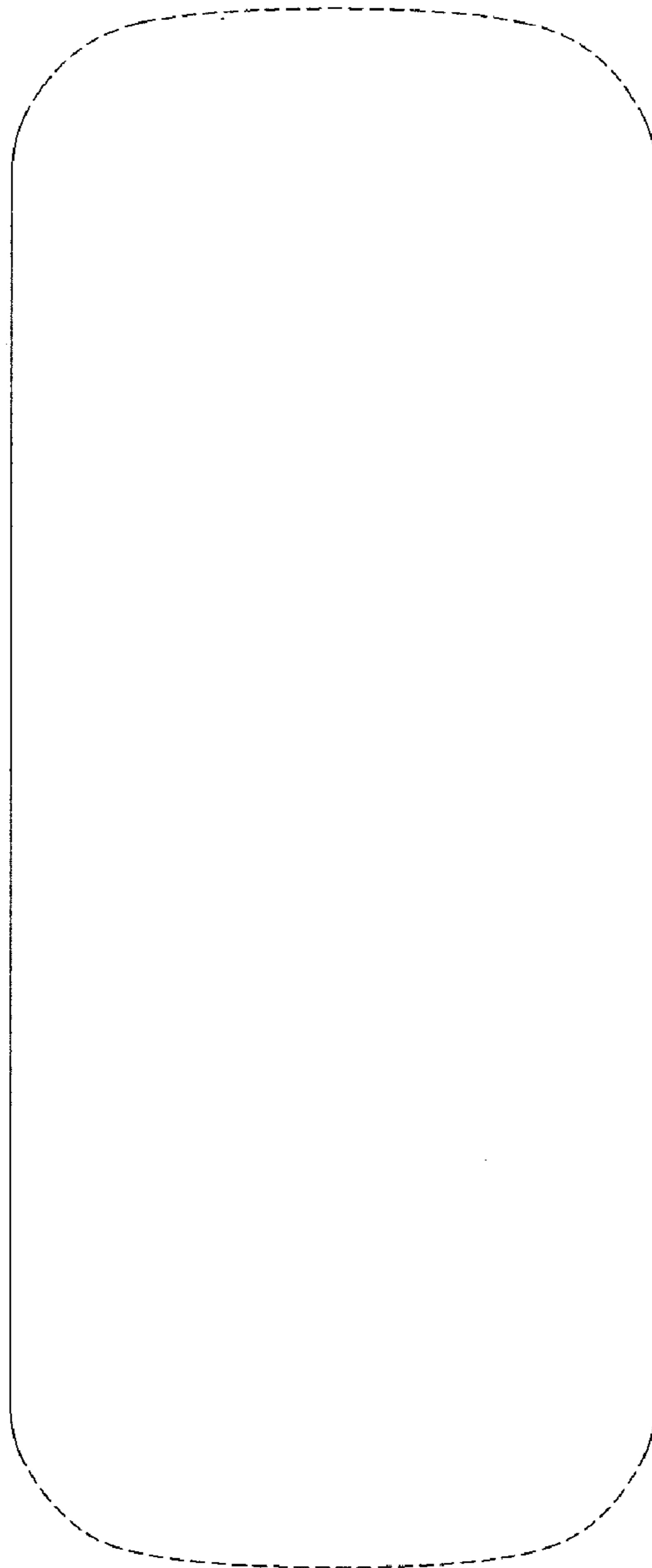


FIG. 3

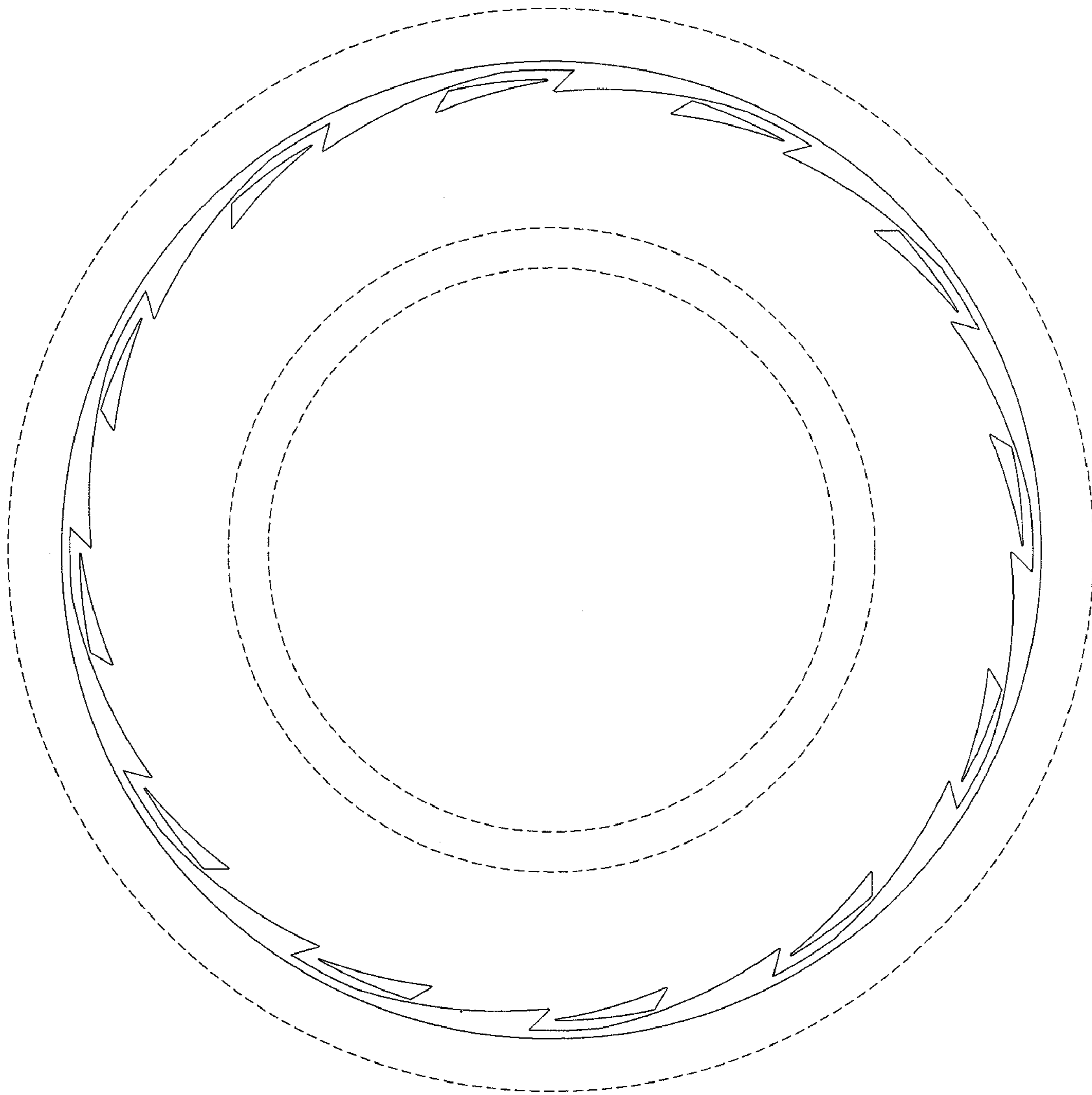


FIG. 4

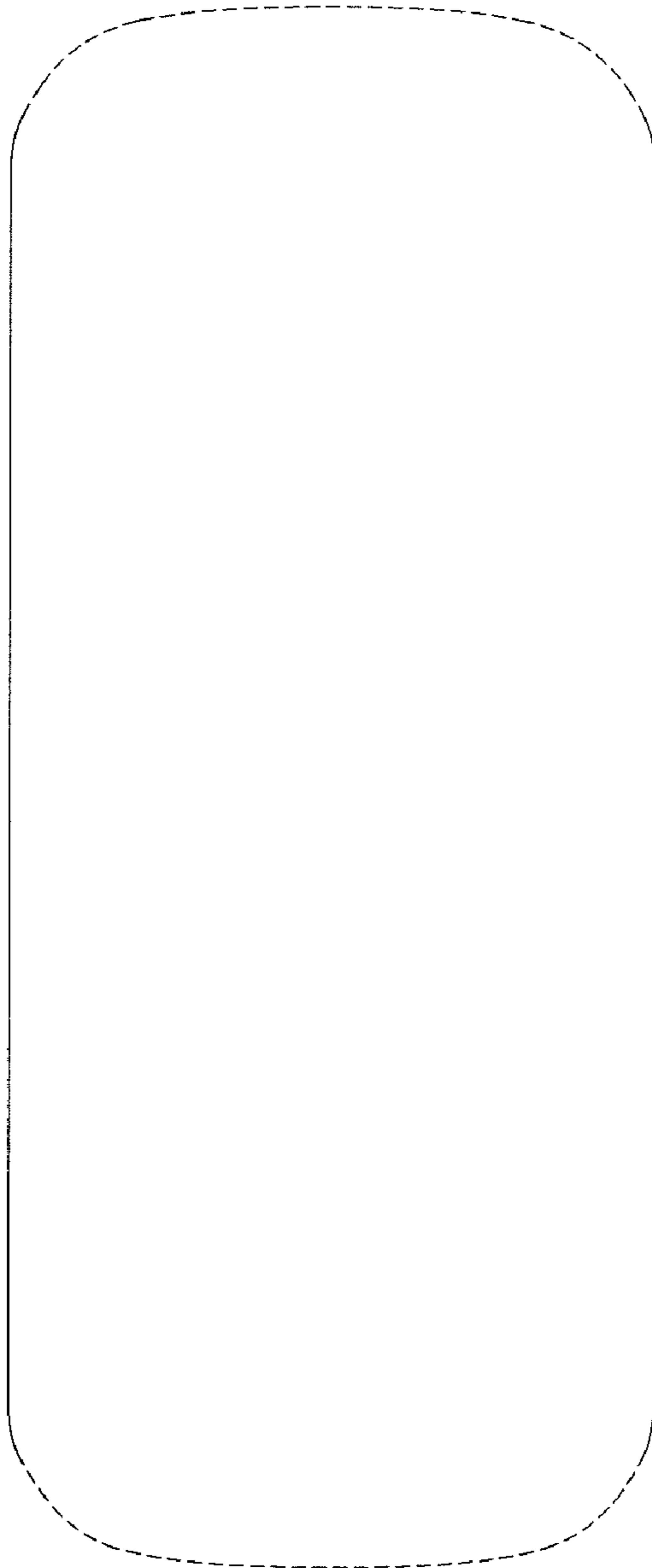


FIG. 5

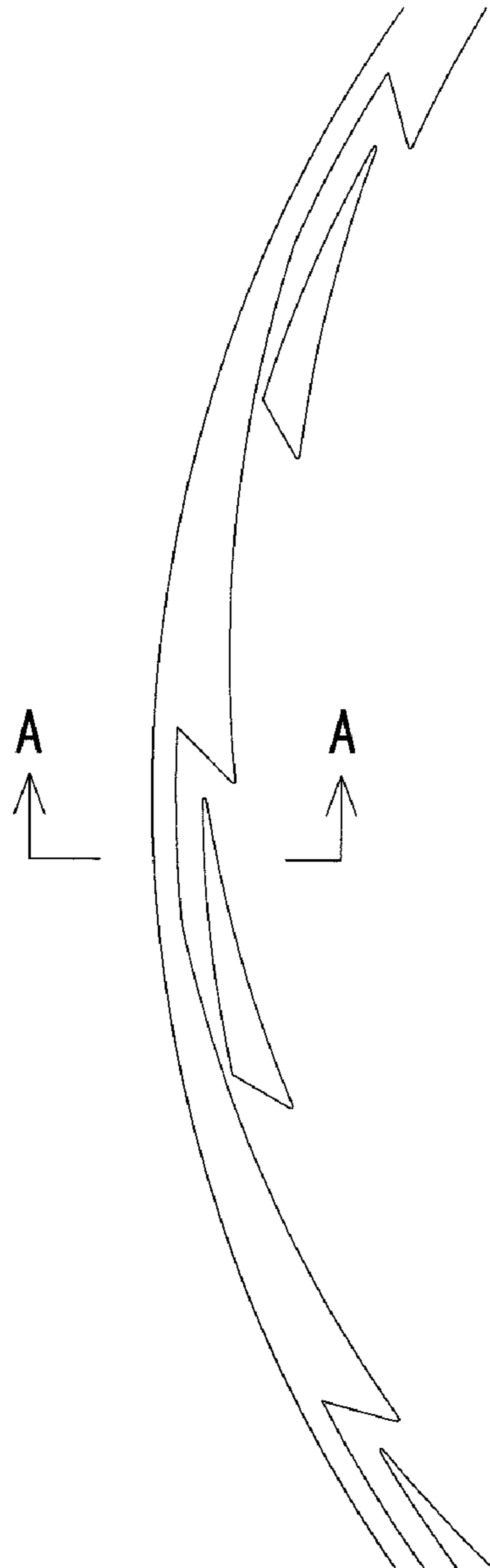


FIG. 6

