



US00D596104S

(12) **United States Design Patent**
Kim

(10) **Patent No.:** **US D596,104 S**

(45) **Date of Patent:** **** Jul. 14, 2009**

(54) **WIPER FOR AUTOMOBILES**

(75) Inventor: **In-Kyu Kim**, Ansan-si (KR)

(73) Assignee: **ADM21 Co., Ltd.**, Gyeonggi-do (KR)

(**) Term: **14 Years**

(21) Appl. No.: **29/319,918**

(22) Filed: **Jun. 17, 2008**

(51) **LOC (9) Cl.** **12-16**

(52) **U.S. Cl.** **D12/219**

(58) **Field of Classification Search** D12/219-220;
15/246, 247, 250.001, 250.4, 250.361, 250.19,
15/250.48, 250.31-250.33, 250.351, 250.38,
15/250.201, 250.451, 250.458, 250.04, 250.07,
15/250.44

See application file for complete search history.

(56) **References Cited**

U.S. PATENT DOCUMENTS

D487,047 S *	2/2004	Kim	D12/219
2002/0050017 A1 *	5/2002	Huang	15/250.41
2005/0211272 A1 *	9/2005	Javaruski et al.	134/6
2006/0282972 A1 *	12/2006	Huang	15/250.201
2008/0083081 A1 *	4/2008	Rhodes et al.	15/250.02

* cited by examiner

Primary Examiner—Caron Veynar
Assistant Examiner—Katrina A Kile

(74) *Attorney, Agent, or Firm*—Woodcock Washburn LLP

(57) **CLAIM**

The ornamental design for a wiper for automobiles, as shown and described.

DESCRIPTION

FIG. 1 is a perspective view of the wiper for automobiles.

FIG. 2 is a front view thereof.

FIG. 3 is a rear view thereof.

FIG. 4 is a left side view thereof.

FIG. 5 is a right side view thereof.

FIG. 6 is a top plan view thereof.

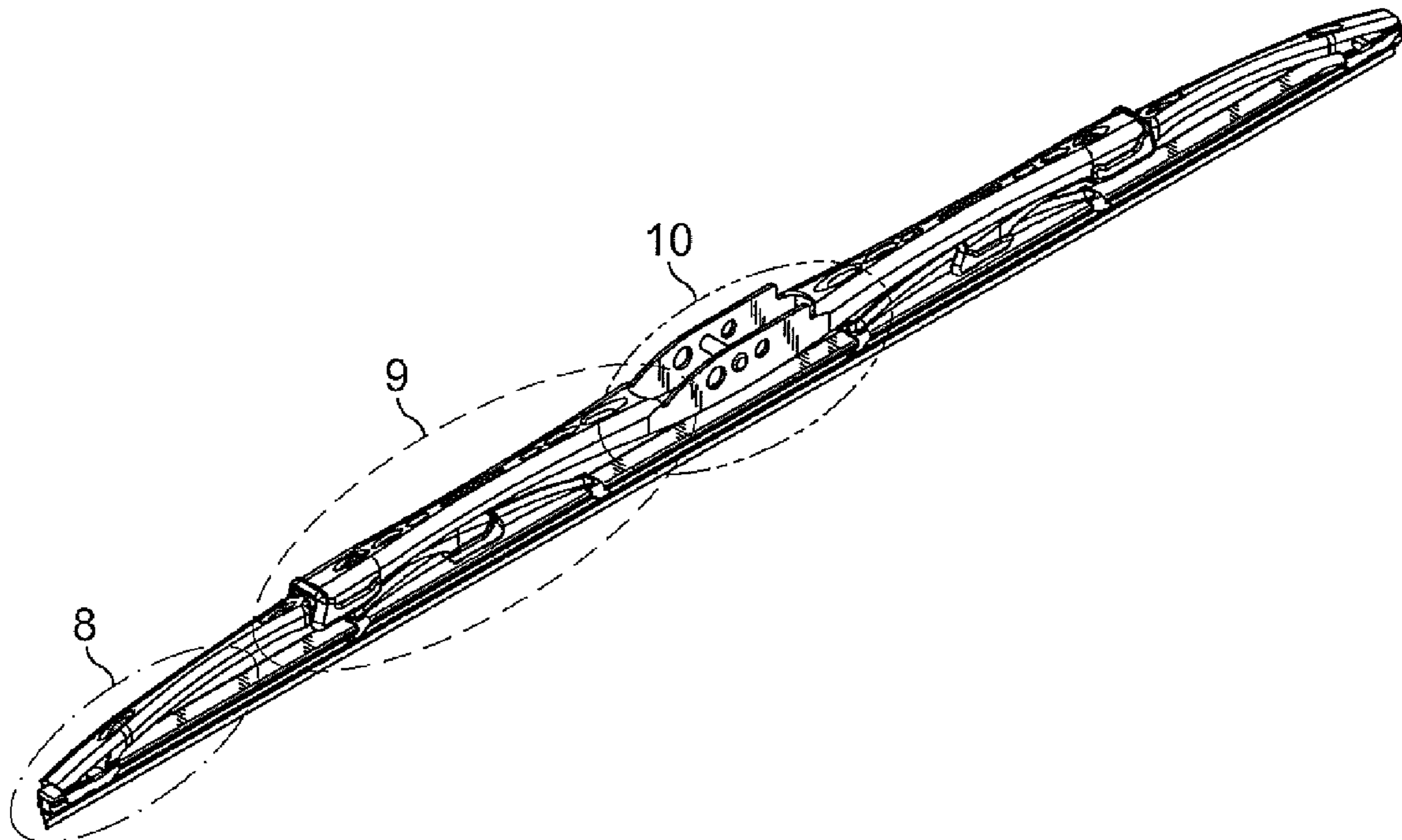
FIG. 7 is a bottom plan view thereof.

FIG. 8 is an enlargement of the portion of the wiper indicated as 8 in FIG. 1.

FIG. 9 is an enlargement of the portion of the wiper indicated as 9 in FIG. 1; and,

FIG. 10 is an enlargement of the portion of the wiper indicated as 10 in FIG. 1.

1 Claim, 6 Drawing Sheets



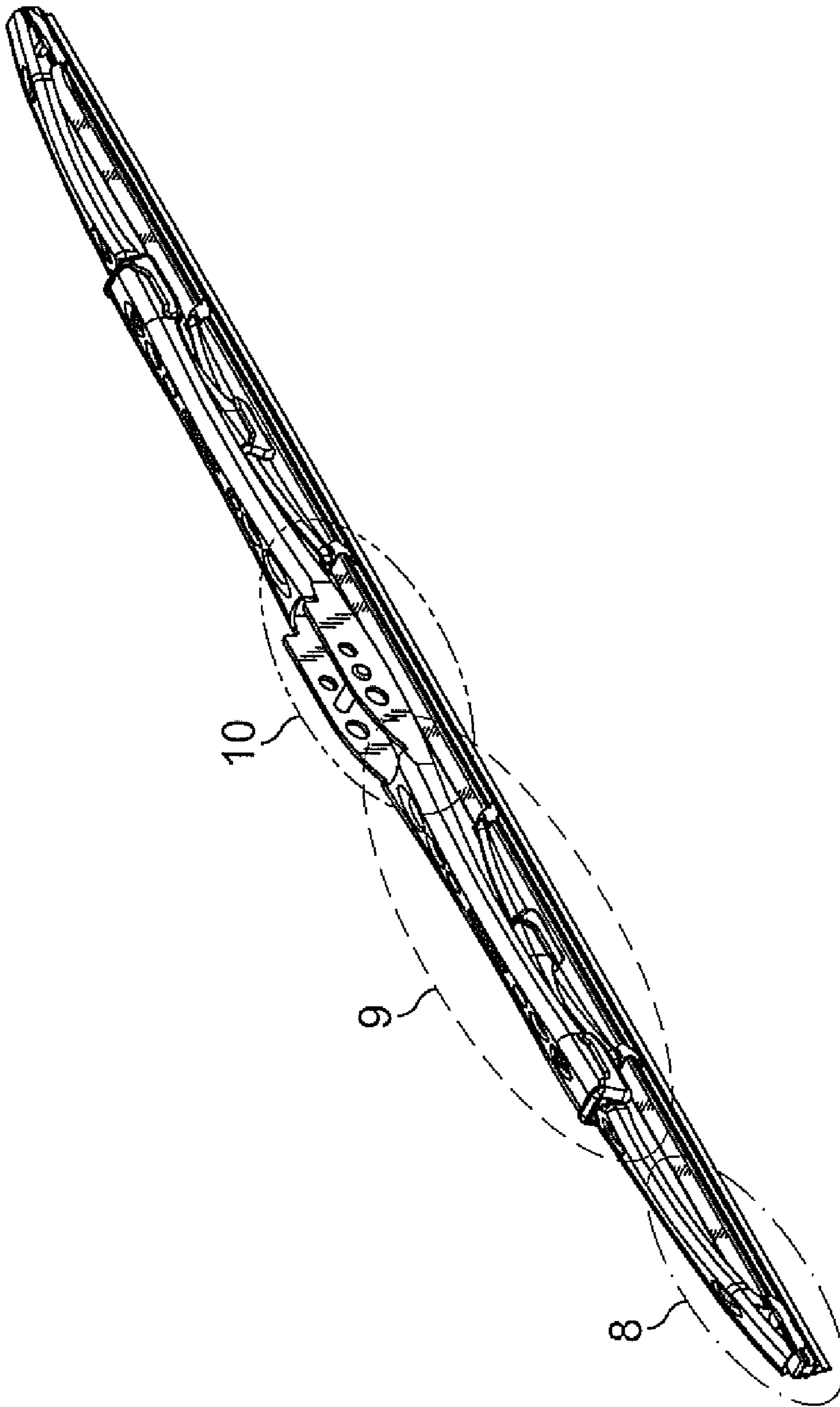


Fig. 1

Fig. 2

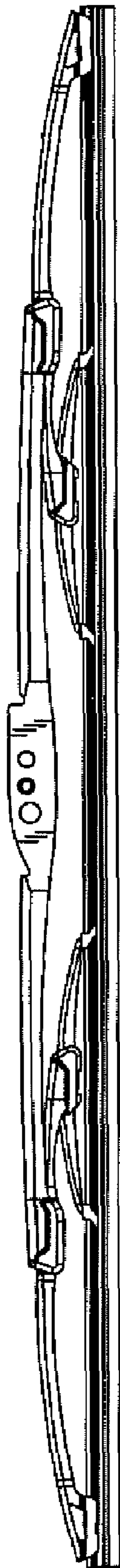


Fig. 3

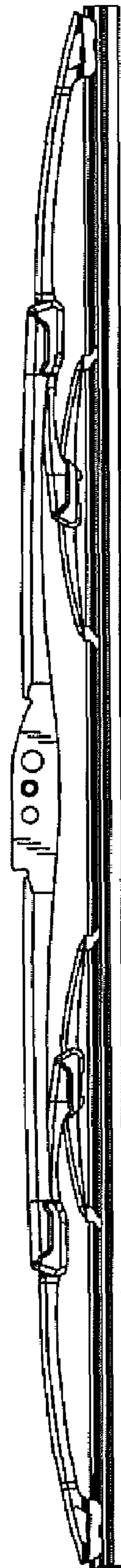


Fig. 4

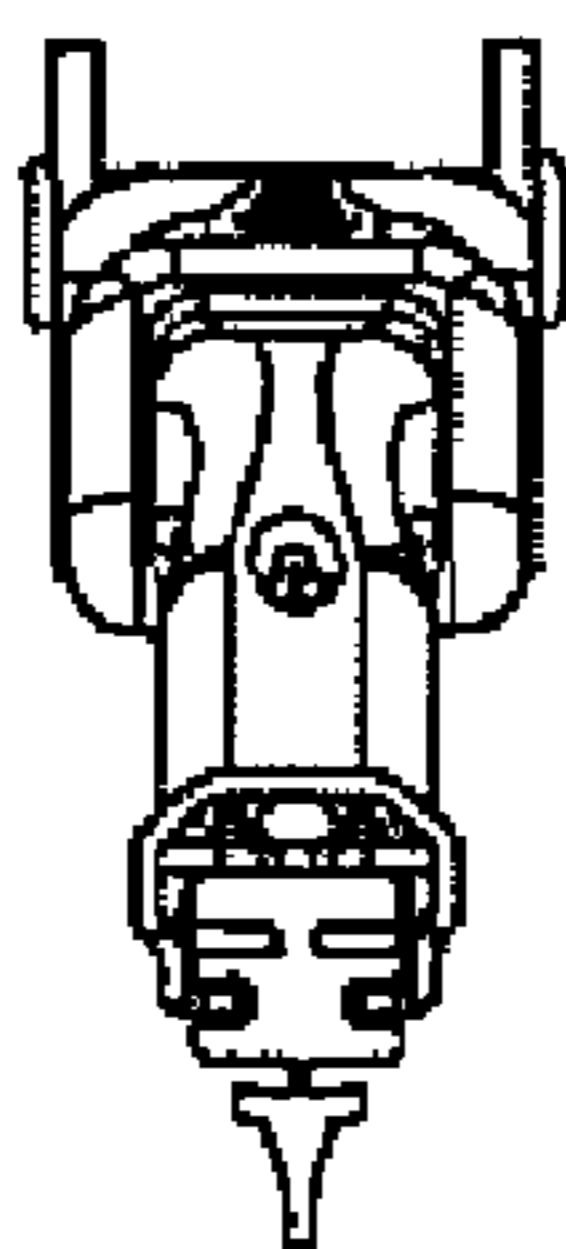


Fig. 5

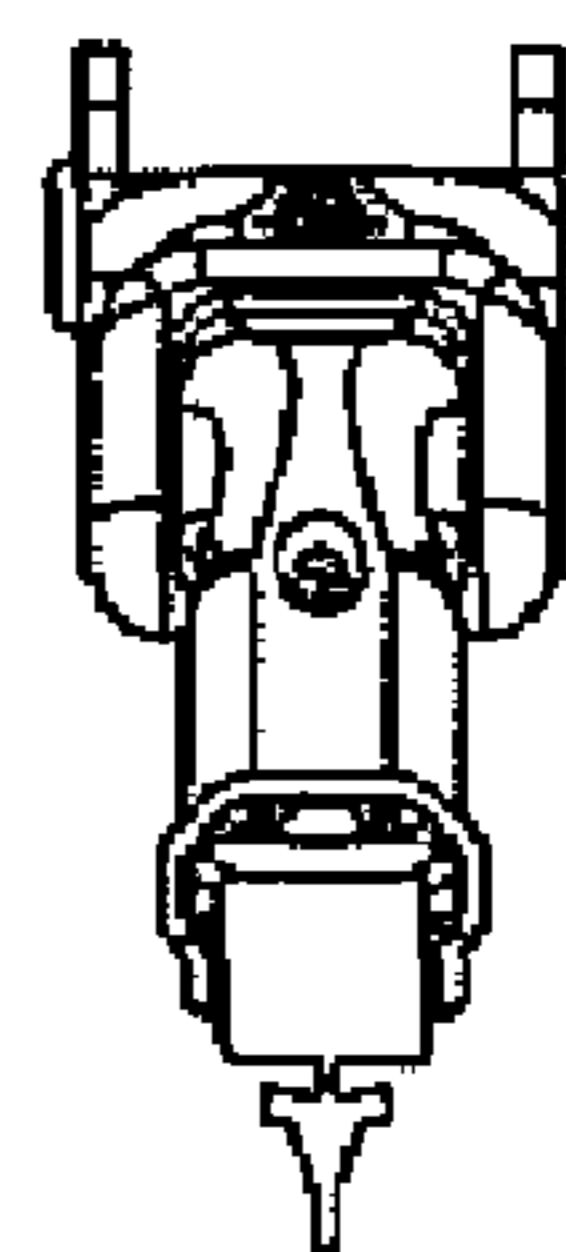


Fig. 6



Fig. 7



Fig. 8

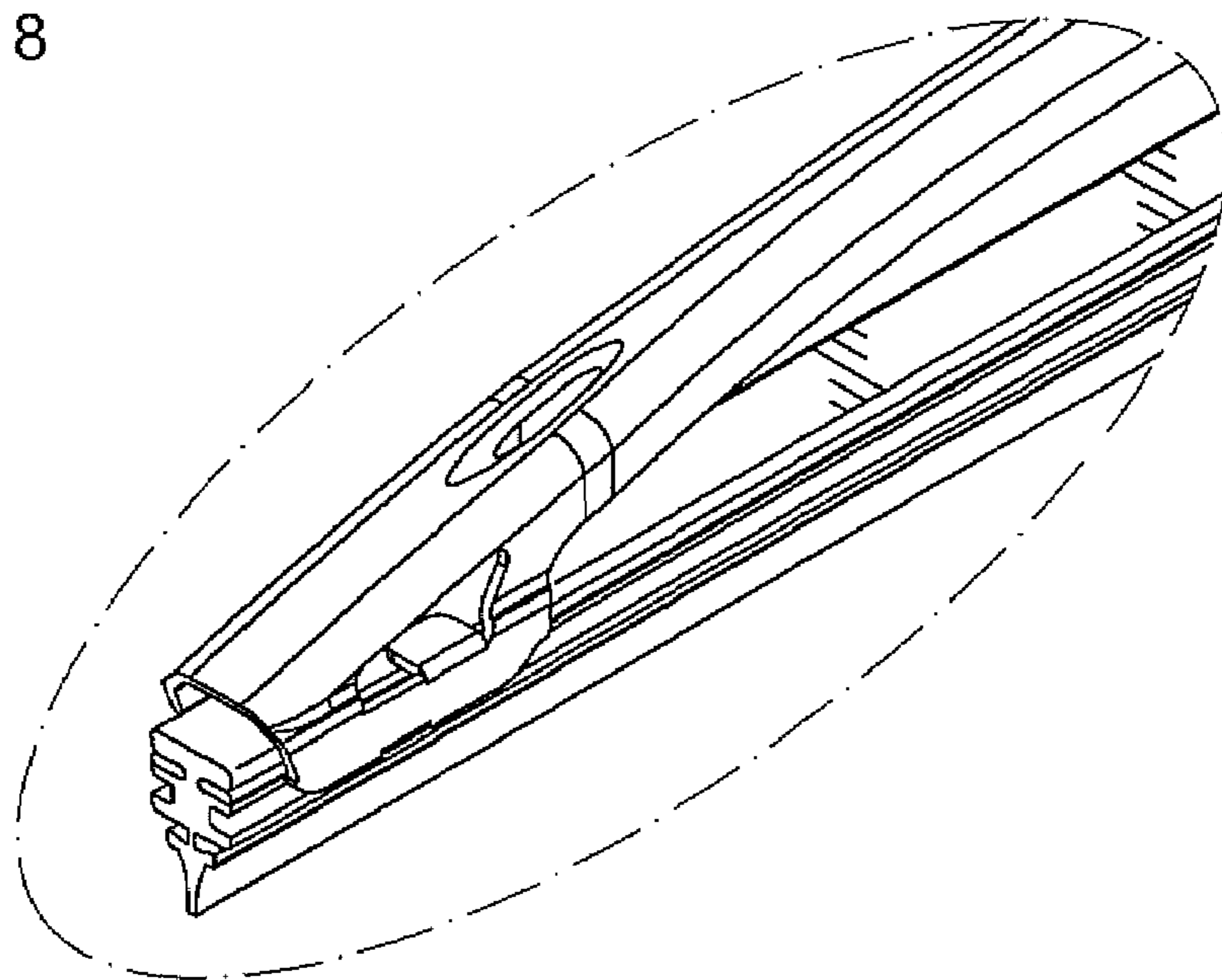


Fig. 9

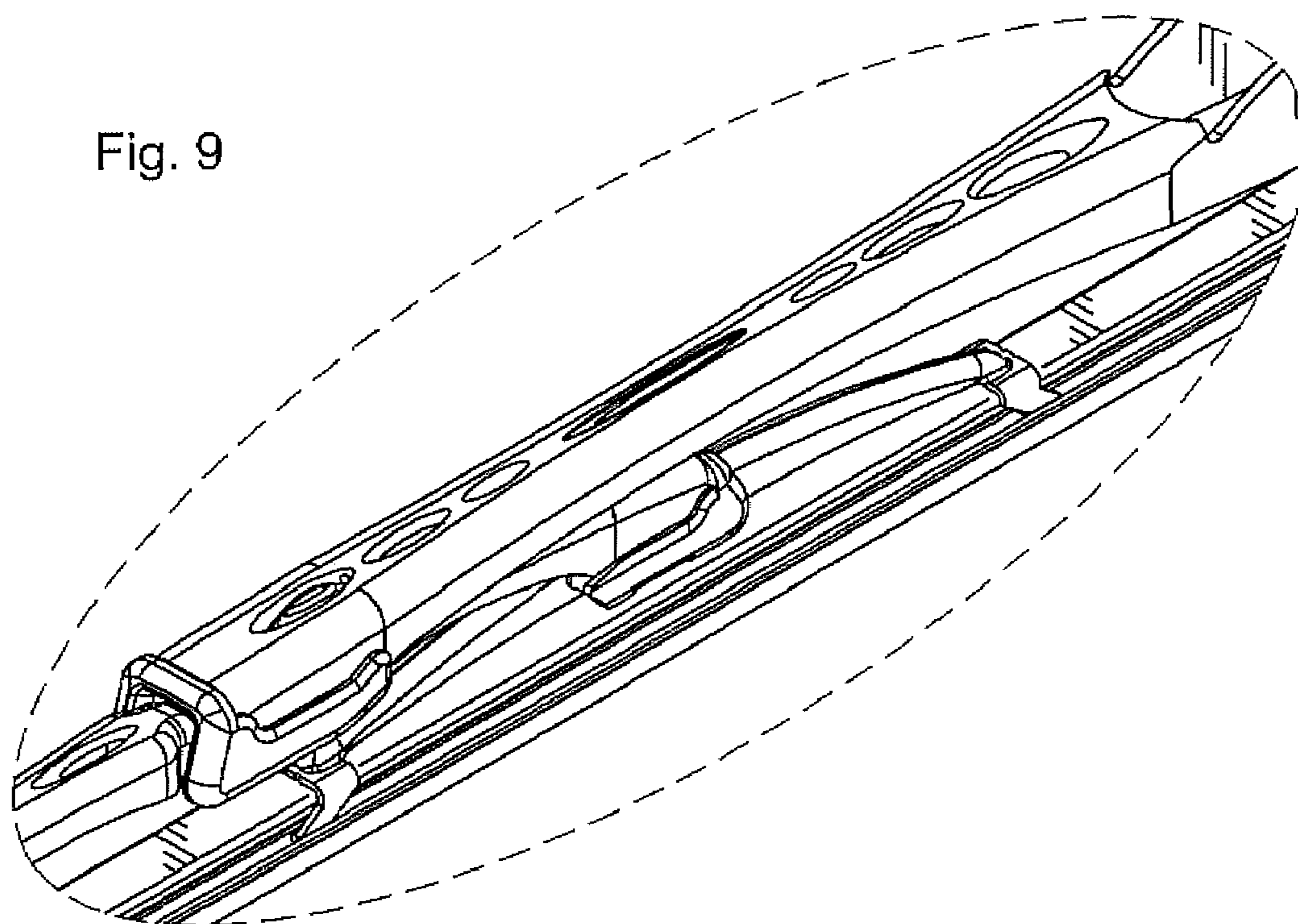


Fig. 10

