

US00D596100S

(12) **United States Design Patent**
Aroney

(10) **Patent No.:** **US D596,100 S**

(45) **Date of Patent:** **** Jul. 14, 2009**

(54) **WHEEL**

(76) Inventor: **Michael Aroney**, P.O. Box 267, New Buffalo, MI (US) 49117

(**) Term: **14 Years**

(21) Appl. No.: **29/304,625**

(22) Filed: **Mar. 5, 2008**

(51) **LOC (9) Cl.** **12-16**

(52) **U.S. Cl.** **D12/211**

(58) **Field of Classification Search** D12/204–213;
301/37.101, 64.101, 65

See application file for complete search history.

(56) **References Cited**

U.S. PATENT DOCUMENTS

D214,620 S	7/1969	Barris	
D361,547 S	* 8/1995	Weld D12/211
D417,427 S	12/1999	Brown	
D436,339 S	1/2001	Fitzgerald	
D449,267 S	10/2001	Fitzgerald	
D456,757 S	5/2002	Schroeder	
D457,849 S	5/2002	Kataoka	
D459,691 S	7/2002	Takechi	
D460,941 S	7/2002	Muzzarelli	
D461,155 S	8/2002	Takechi	
D465,758 S	11/2002	Plessing	
D467,857 S	12/2002	Chung	
D468,678 S	1/2003	Oh	
D471,500 S	3/2003	Kataoka	
D471,503 S	3/2003	Baumgartner	
D474,141 S	5/2003	Foose	
D475,962 S	6/2003	Chung	
D478,306 S	8/2003	Brown et al.	
D480,037 S	* 9/2003	Takechi D12/211
D481,346 S	10/2003	Vian	
D481,347 S	10/2003	Kang	

D484,083 S	12/2003	Tai
D484,084 S	12/2003	Tai
D486,114 S	2/2004	Lai
D487,882 S	3/2004	Cahyono
D488,116 S	4/2004	Chung
D488,422 S	4/2004	Hartanto
D488,762 S	4/2004	Cahyono

(Continued)

Primary Examiner—Elizabeth A Albert
Assistant Examiner—Kelley A Donnelly

(74) *Attorney, Agent, or Firm*—Garcia-Zamor IP Law; Ruy M. Garcia-Zamor

(57) **CLAIM**

I claim an ornamental design for a wheel, as shown and described.

DESCRIPTION

FIG. 1 is a perspective view of a wheel according to a first embodiment of my new design.

FIG. 2 is a front elevational view of the wheel of FIG. 1;

FIG. 3 is a left side elevational view of the wheel of FIG. 1; the right side elevational view of the wheel of FIG. 1 being a mirror image of FIG. 3;

FIG. 4 is a top plan view of the wheel of FIG. 1;

FIG. 5 is a bottom plan view of the wheel of FIG. 1;

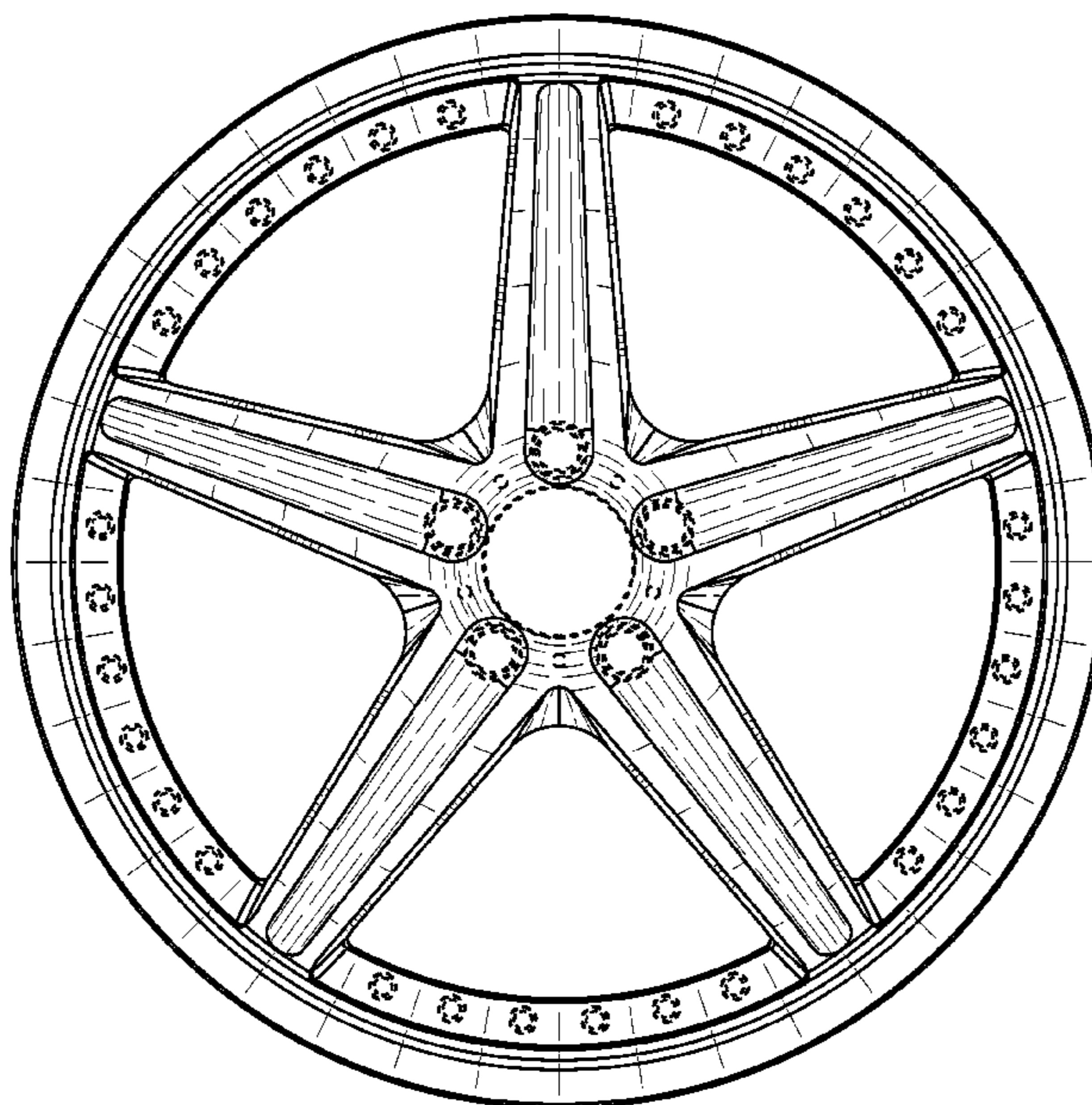
FIG. 6 is a rear elevational view of the wheel of FIG. 1;

FIG. 7 is a perspective view of a wheel according to a second embodiment of my new design; and,

FIG. 8 is a front elevational view of the wheel of FIG. 7.

The broken lines showing portions of the rim in FIGS. 1–8 are for environmental purposes only and form no part of the claimed design.

1 Claim, 8 Drawing Sheets



US D596,100 S

Page 2

U.S. PATENT DOCUMENTS

D488,763 S	4/2004	Takechi	D505,651 S	5/2005	Arellano et al.	
D490,040 S	5/2004	Foose	D506,429 S	6/2005	Arellano et al.	
D492,234 S	6/2004	Kataoka	D507,222 S	7/2005	Arellano et al.	
D492,240 S	6/2004	Suciu	D513,726 S	1/2006	Kamimura	
D493,406 S	7/2004	Kataoka	D527,699 S	9/2006	Kiesel	
D494,523 S	8/2004	Koenigsberg	D527,700 S *	9/2006	Guevara	D12/211
D495,285 S	8/2004	Phillips	D531,953 S *	11/2006	Aoki	D12/211
D497,133 S	10/2004	Cheng	D546,265 S *	7/2007	Young	D12/211
D497,134 S	10/2004	Anerson et al.	D546,266 S *	7/2007	Young	D12/211
D497,139 S	10/2004	Anderson et al.	D555,568 S *	11/2007	Hetrick	D12/211
D499,060 S	11/2004	Cahyono	D583,292 S *	12/2008	Chung	D12/211
D504,099 S	4/2005	Boyer				

* cited by examiner

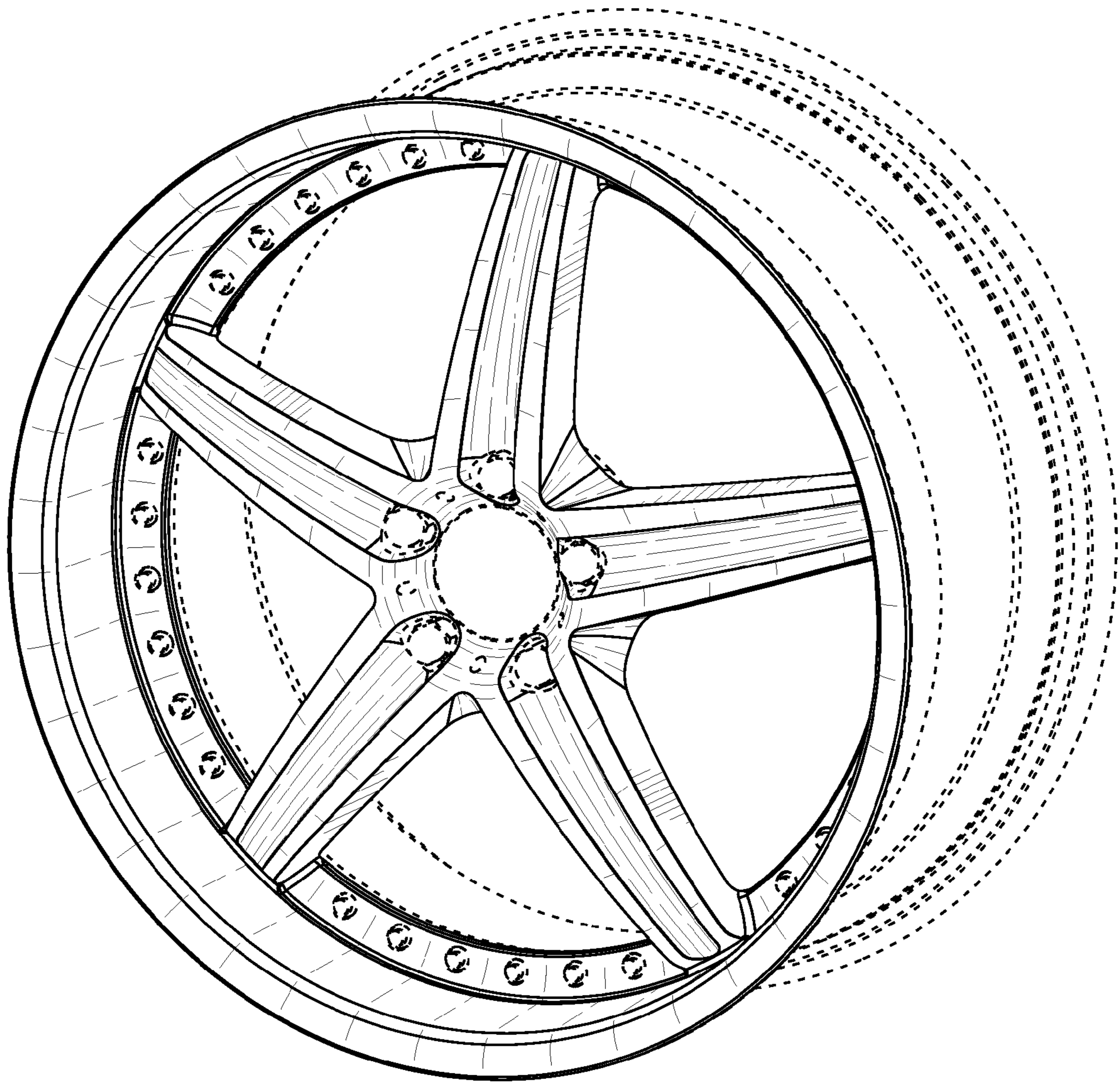


FIG. 1

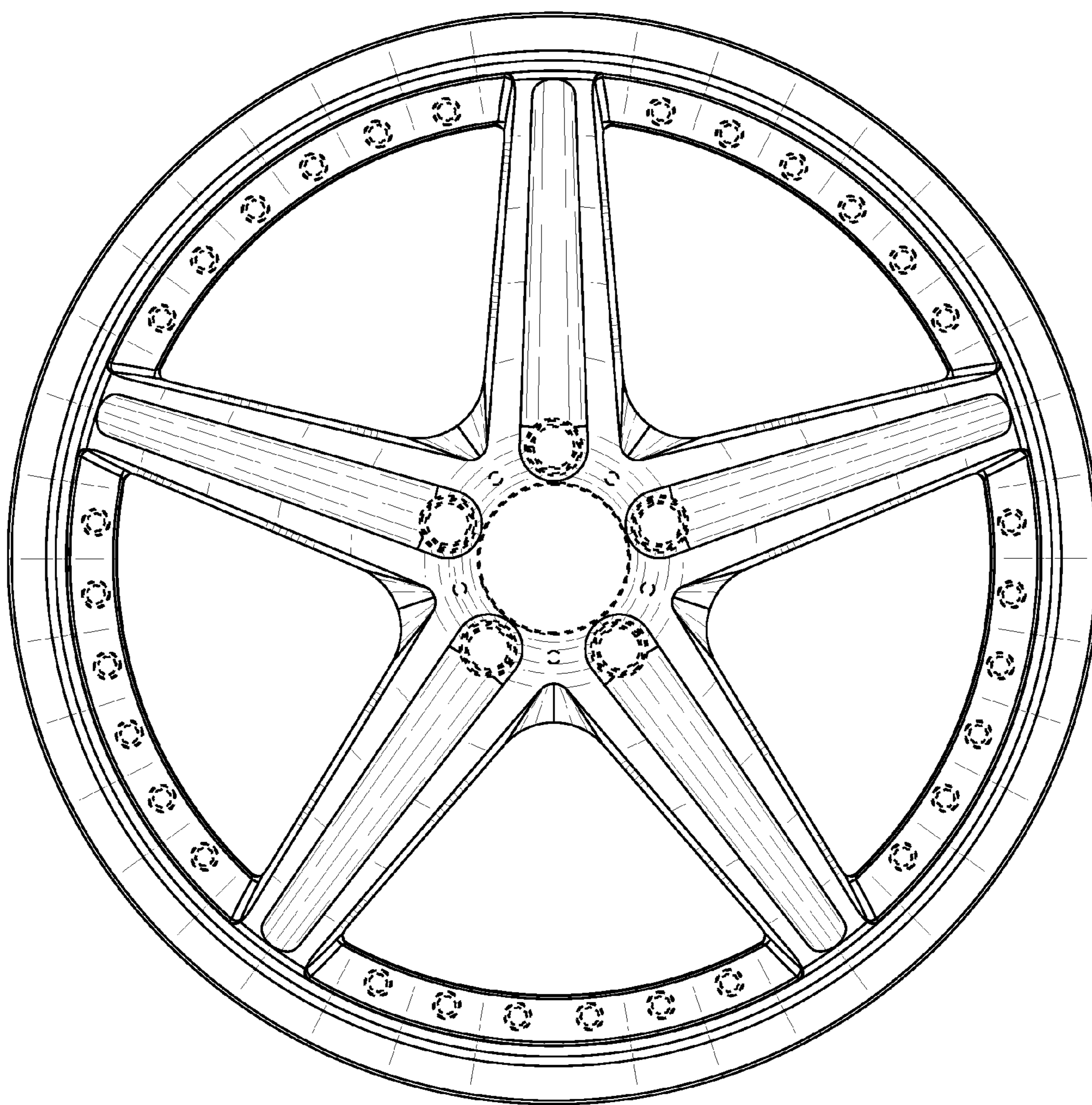


FIG. 2

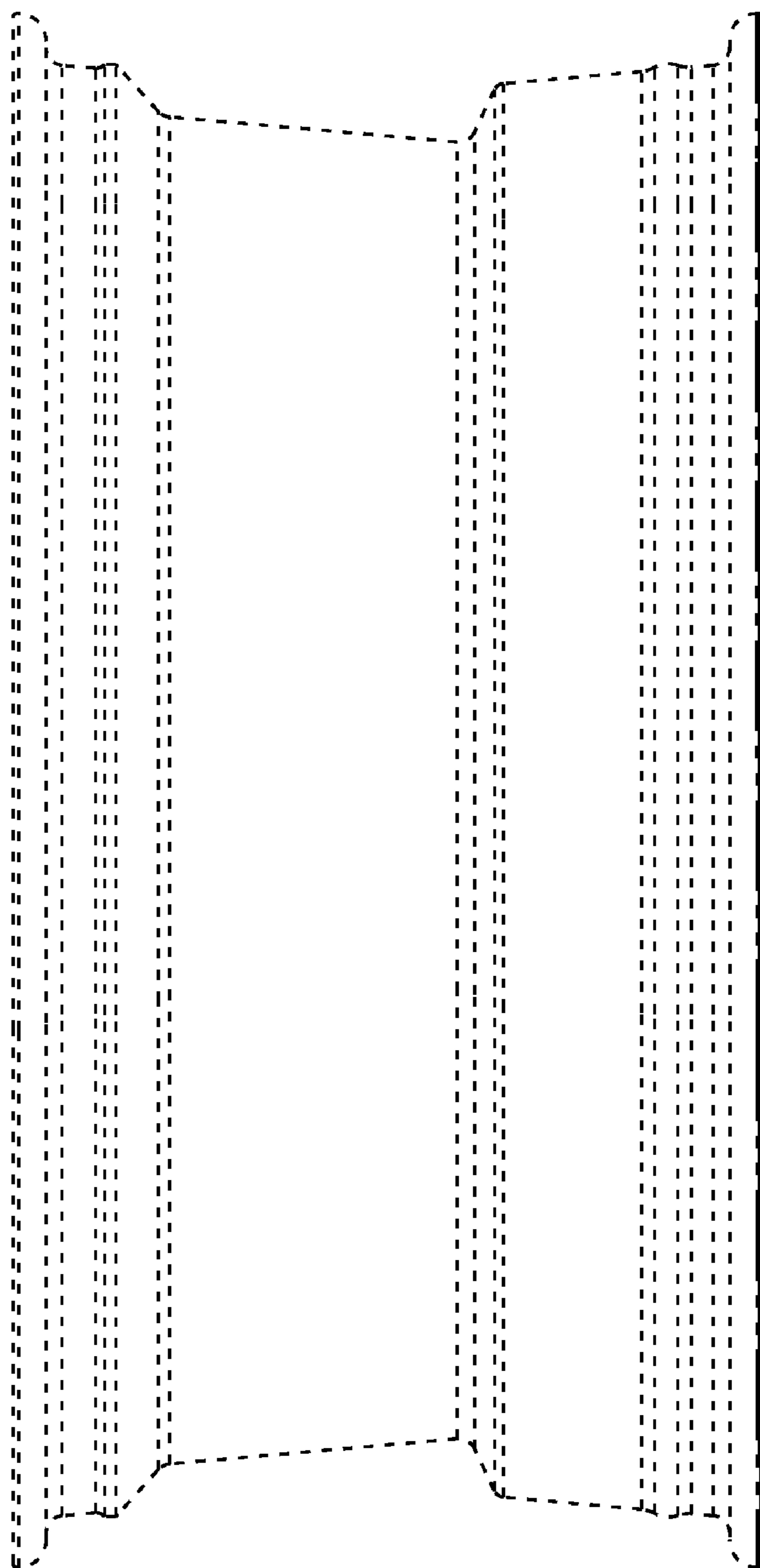


FIG. 3

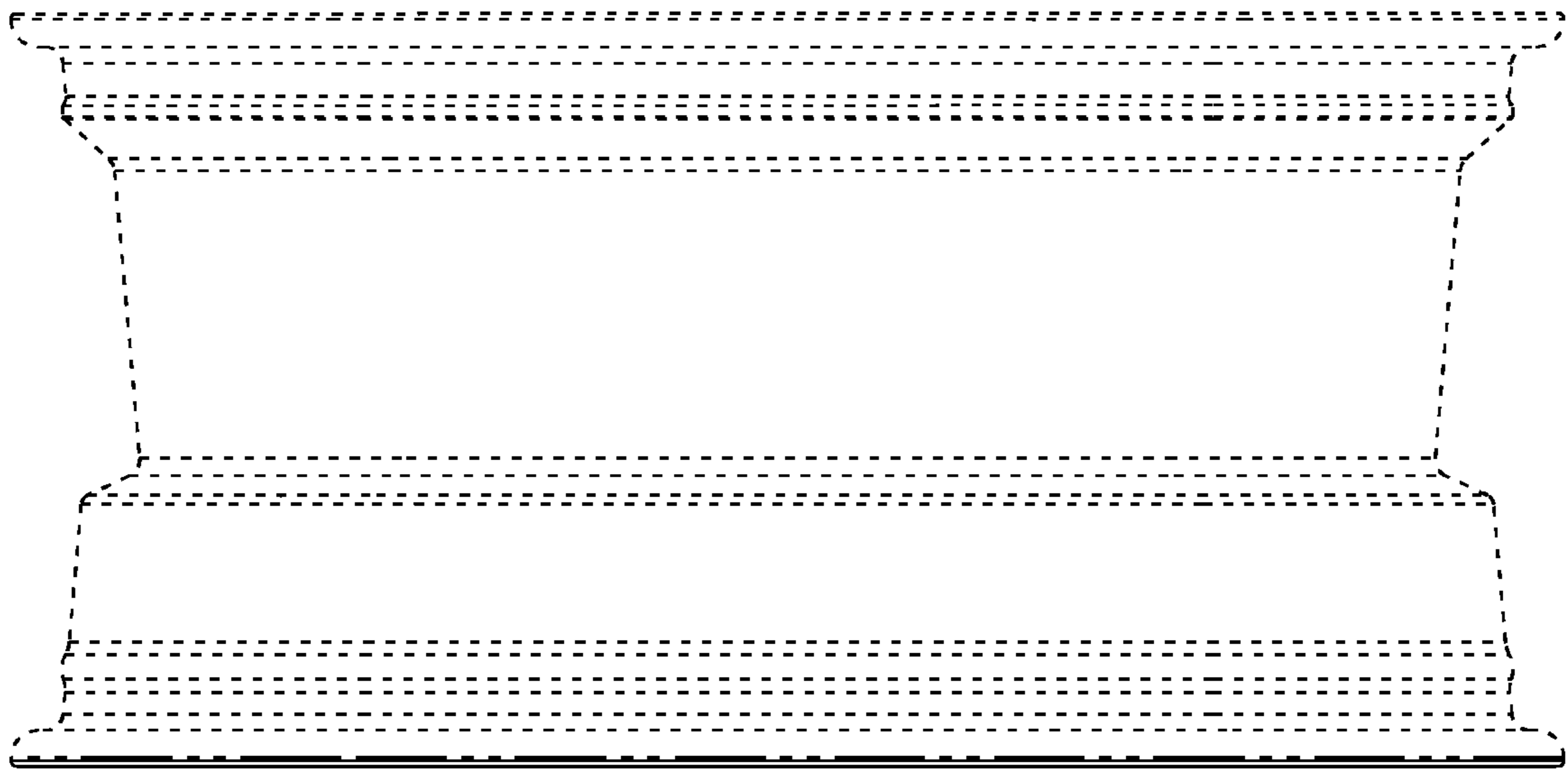


FIG. 4

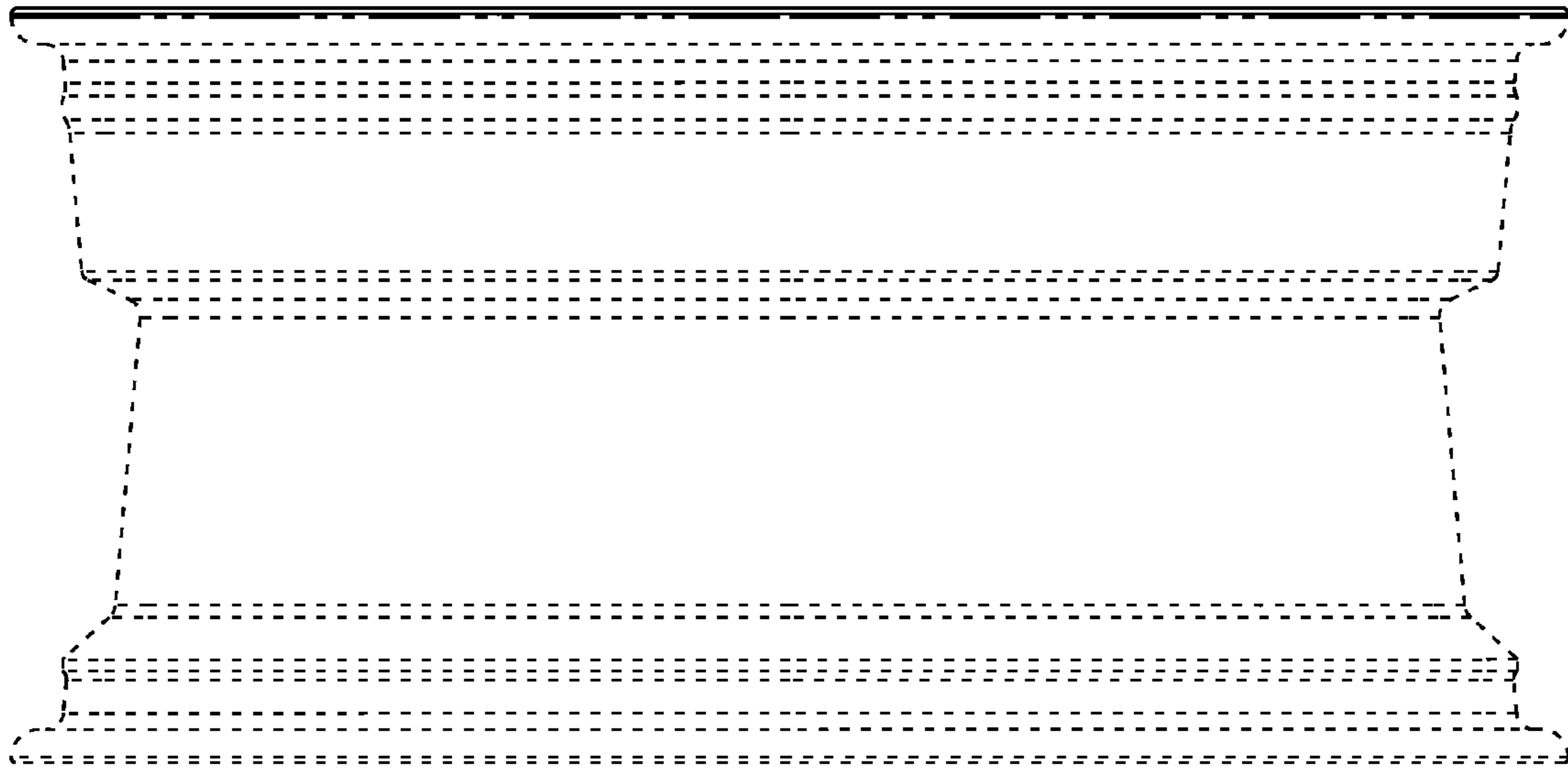


FIG. 5

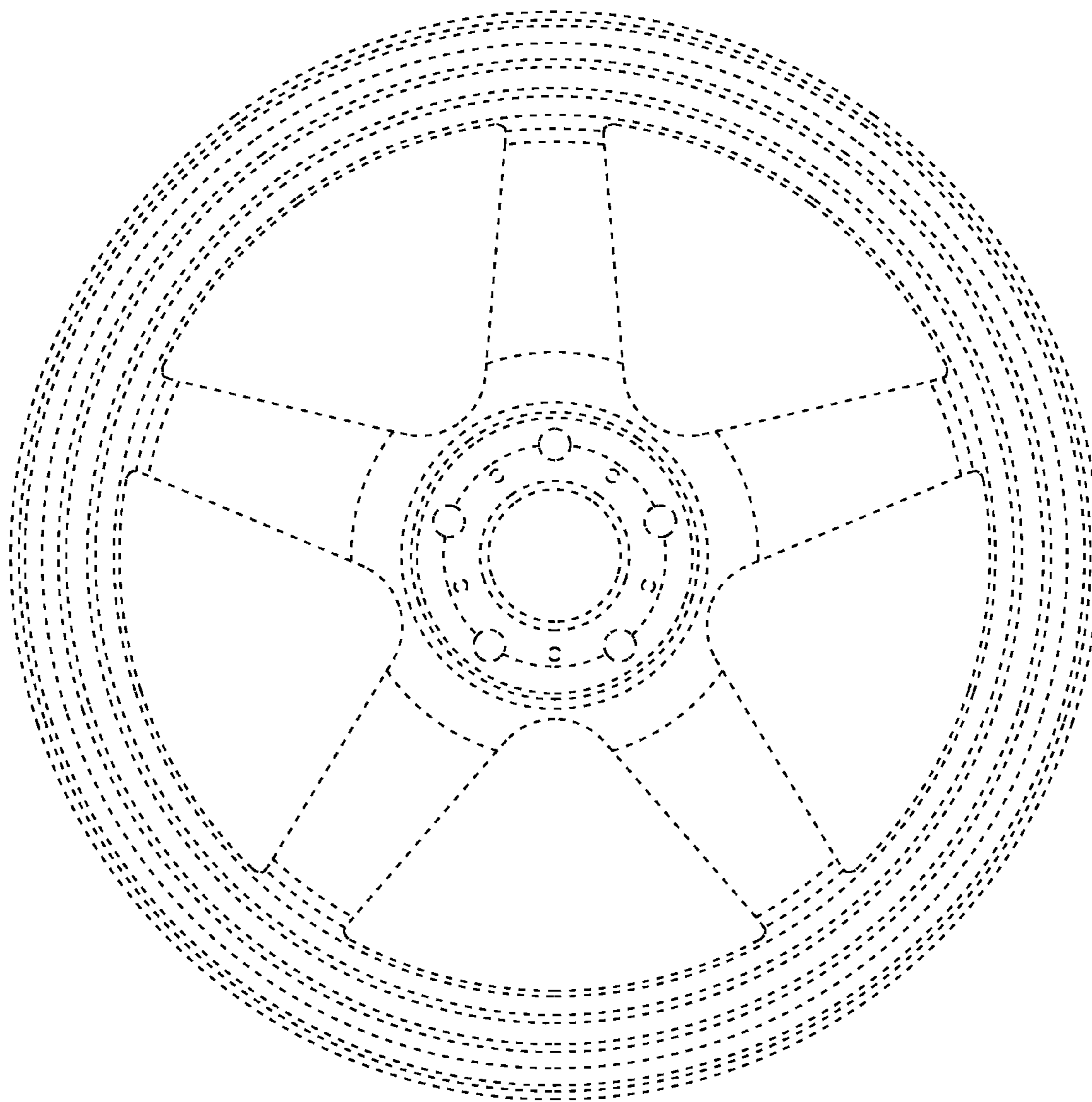


FIG. 6

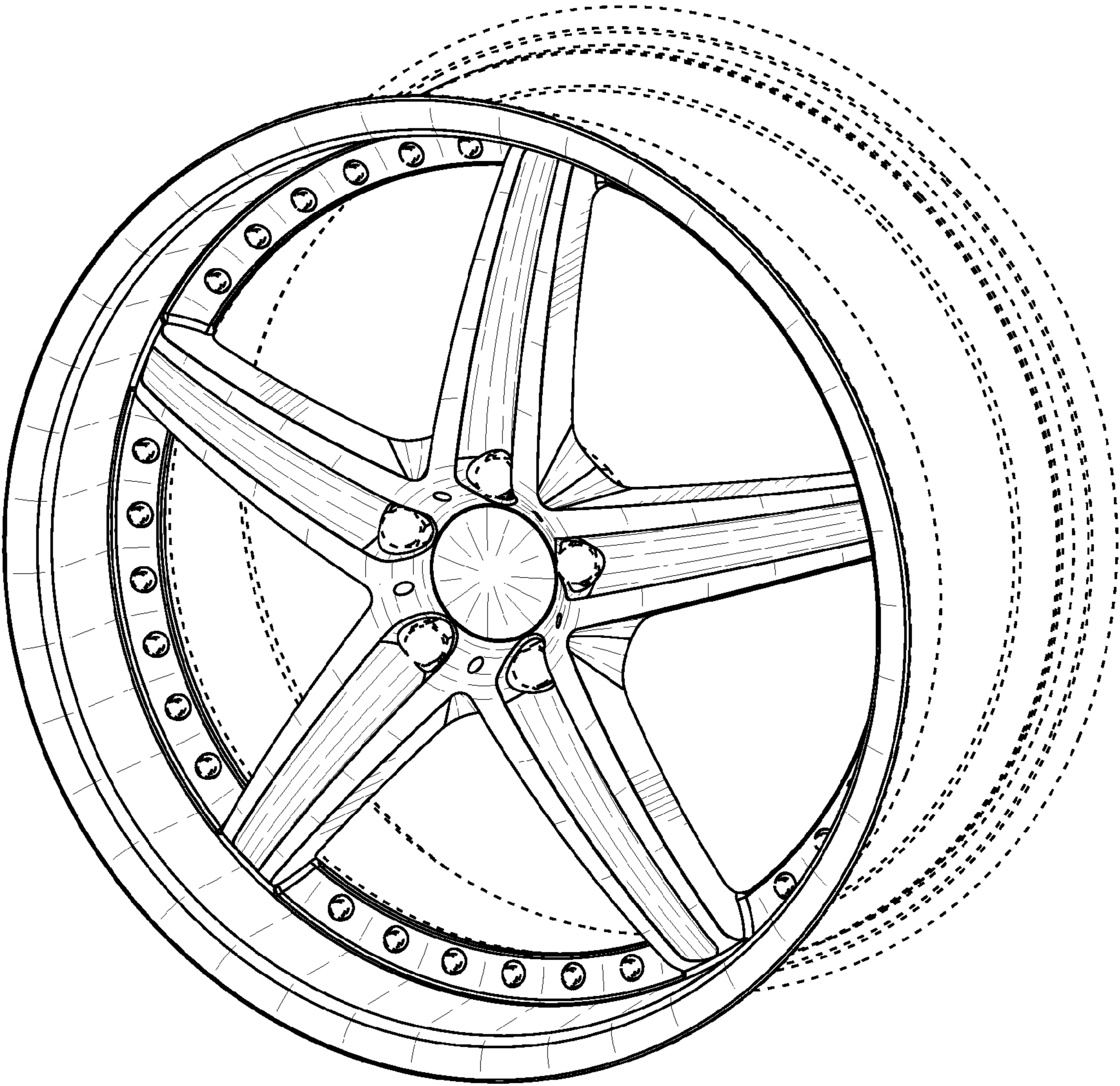


FIG. 7

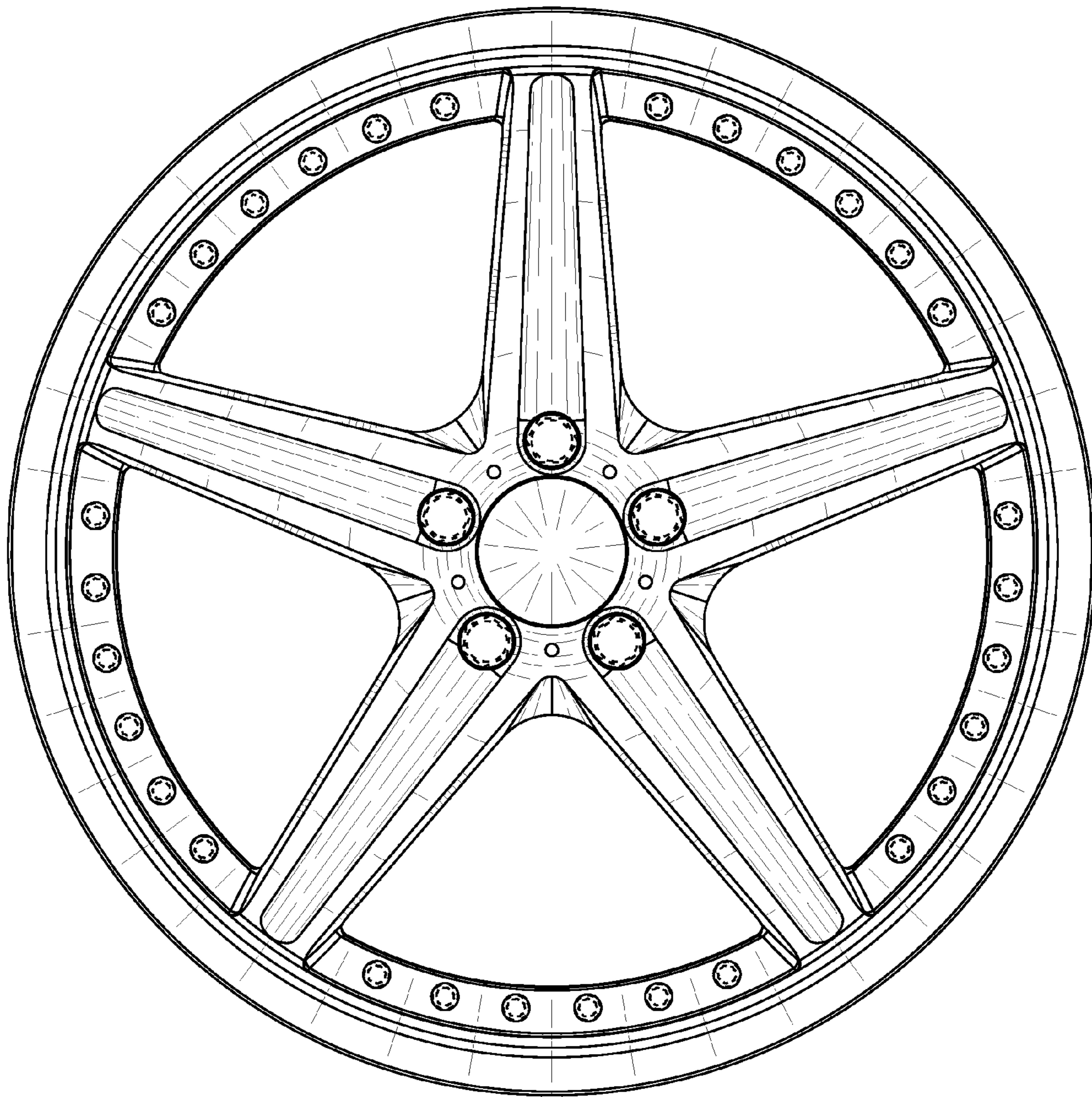


FIG. 8