



US00D596099S

(12) **United States Design Patent**
Chung

(10) **Patent No.:** **US D596,099 S**
(45) **Date of Patent:** **** Jul. 14, 2009**

(54) **WHEEL**

(76) **Inventor:** **Suny Chung**, 3283 Red Pine Rd., Yorba Linda, CA (US) 92886

(**) **Term:** **14 Years**

(21) **Appl. No.:** **29/296,772**

(22) **Filed:** **Oct. 27, 2007**

(51) **LOC (9) Cl.** **12-16**

(52) **U.S. Cl.** **D12/209**

(58) **Field of Classification Search** D12/204-213;
301/37.101, 64.101, 65, 64.201

See application file for complete search history.

(56) **References Cited**

U.S. PATENT DOCUMENTS

D214,620 S	7/1969	Barris	
D405,749 S	* 2/1999	Kulla	D12/211
D413,853 S	* 9/1999	Hale, Jr.	D12/211
D417,427 S	12/1999	Brown	
D421,953 S	* 3/2000	Sims et al.	D12/211
D436,339 S	1/2001	Fitzgerald	
D449,267 S	10/2001	Fitzgerald	
D456,757 S	5/2002	Schroeder	
D457,849 S	5/2002	Kataoka	
D459,691 S	7/2002	Takechi	
D460,941 S	7/2002	Muzzarelli	
D461,155 S	8/2002	Takechi	
D465,758 S	11/2002	Plessing	
D467,857 S	12/2002	Chung	
D468,678 S	1/2003	Oh	
D471,500 S	3/2003	Kataoka	
D471,503 S	3/2003	Baumgartner	
D473,836 S	* 4/2003	Laengerer	D12/211
D474,141 S	5/2003	Foose	
D475,962 S	6/2003	Chung	
D478,306 S	8/2003	Brown et al.	

D481,346 S	10/2003	Vian
D481,347 S	10/2003	Kang
D484,083 S	12/2003	Tai
D484,084 S	12/2003	Tai
D486,114 S	2/2004	Lai
D487,882 S	3/2004	Cahyono
D488,116 S	4/2004	Chung

(Continued)

Primary Examiner—Cathron C Brooks

Assistant Examiner—Austin Murphy

(74) *Attorney, Agent, or Firm*—Garcia-Zamor IP Law; Ruy M. Garcia-Zamor

(57) **CLAIM**

I claim a new ornamental design for a wheel, as shown and described.

DESCRIPTION

FIG. 1 is a perspective view of a wheel according to a preferred embodiment of my new design;

FIG. 2 is a front elevational view of the wheel of FIG. 1;

FIG. 3 is a left side elevational view of the wheel of FIG. 1, the right side elevational view of the wheel of FIG. 1 being a mirror image of FIG. 3;

FIG. 4 is a top plan view of the wheel of FIG. 1;

FIG. 5 is a bottom plan view of the wheel of FIG. 1;

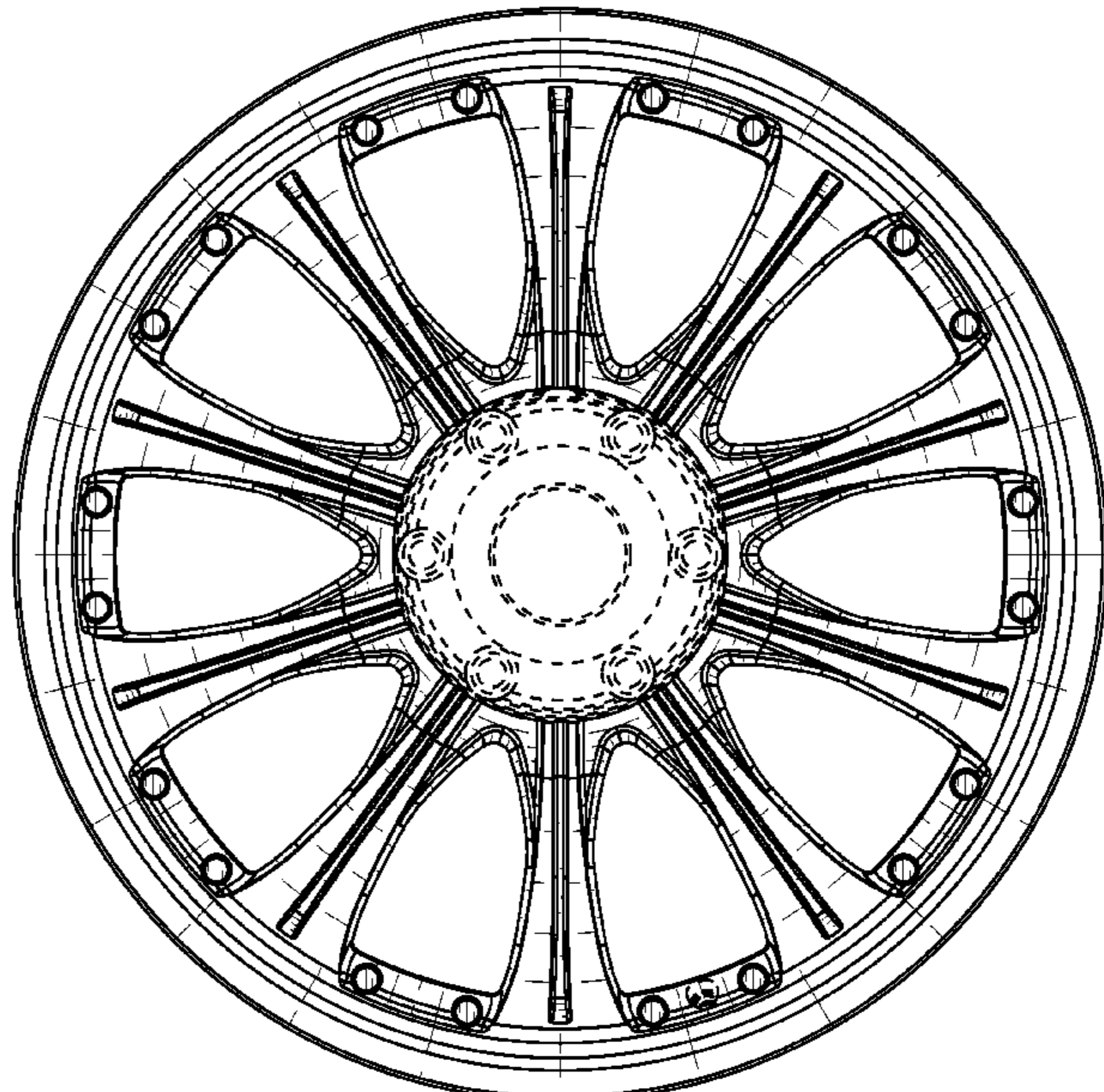
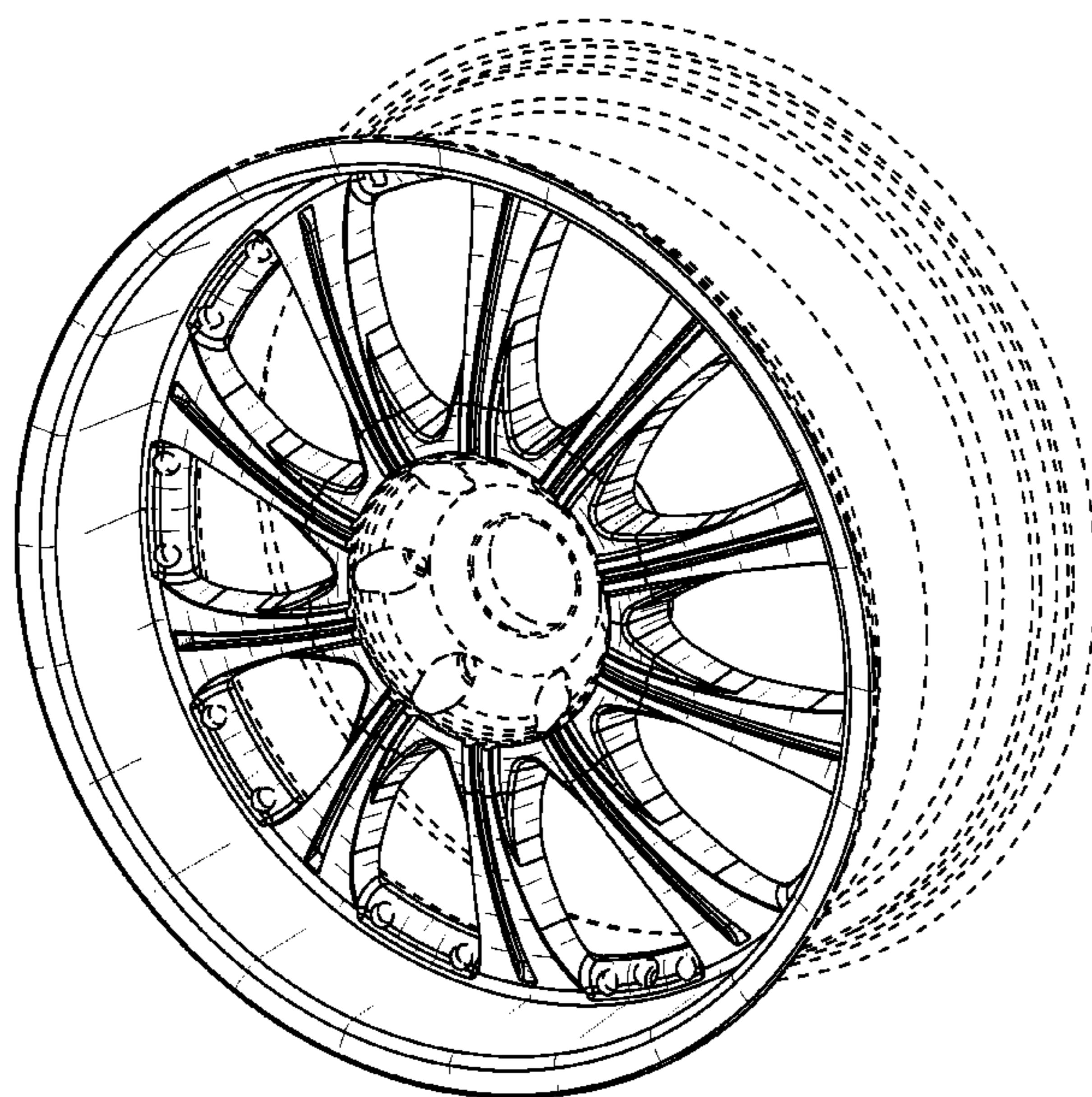
FIG. 6 is a rear elevational view of the wheel of FIG. 1;

FIG. 7 is a perspective view of a wheel according to a second embodiment of my new design; and,

FIG. 8 is a front elevational view of the wheel of FIG. 7.

The broken lines shown in the drawings represent unclaimed portions of the wheel, and form no part of the claimed design.

1 Claim, 8 Drawing Sheets



US D596,099 S

Page 2

U.S. PATENT DOCUMENTS

D488,422 S	4/2004	Hartanto	
D488,762 S	4/2004	Cahyono	
D488,763 S	4/2004	Takechi	
D490,040 S	5/2004	Foose	
D490,760 S *	6/2004	Sands	D12/209
D492,234 S	6/2004	Kataoka	
D492,240 S	6/2004	Suciu	
D493,404 S *	7/2004	Baum	D12/211
D493,406 S	7/2004	Kataoka	
D494,523 S	8/2004	Koenigsberg	
D495,285 S	8/2004	Phillips	
D497,133 S	10/2004	Cheng	
D497,134 S	10/2004	Anderson et al.	
D497,139 S	10/2004	Anderson et al.	
D499,060 S	11/2004	Cahyono	
D503,668 S *	4/2005	Boyer	D12/209
D504,097 S *	4/2005	Markefka	D12/209
D504,099 S	4/2005	Boyer	
D505,651 S	5/2005	Arellano et al.	
D506,429 S	6/2005	Arellano et al.	
D507,222 S	7/2005	Arellano et al.	
D513,726 S	1/2006	Kamimura	
D521,438 S *	5/2006	Nordmann	D12/211
D526,610 S *	8/2006	Muzzarelli	D12/211
D527,699 S	9/2006	Kiesel	
D528,962 S *	9/2006	Blasi	D12/211
D537,026 S *	2/2007	Nordmann	D12/209
D542,728 S *	5/2007	Ichinose et al.	D12/211
D552,524 S *	10/2007	Tirado	D12/209
D558,118 S *	12/2007	Hueller	D12/211

* cited by examiner

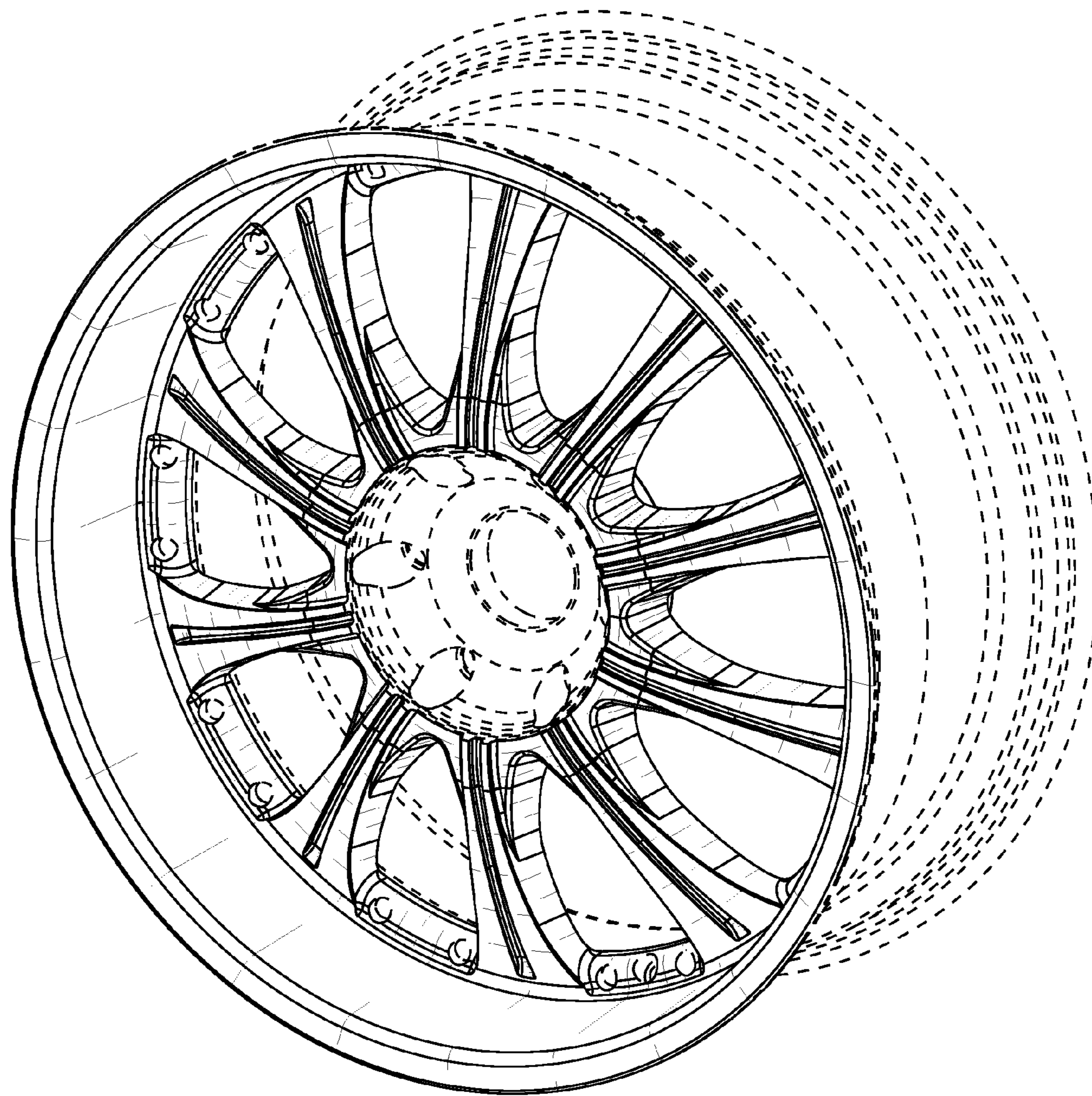


FIG. 1

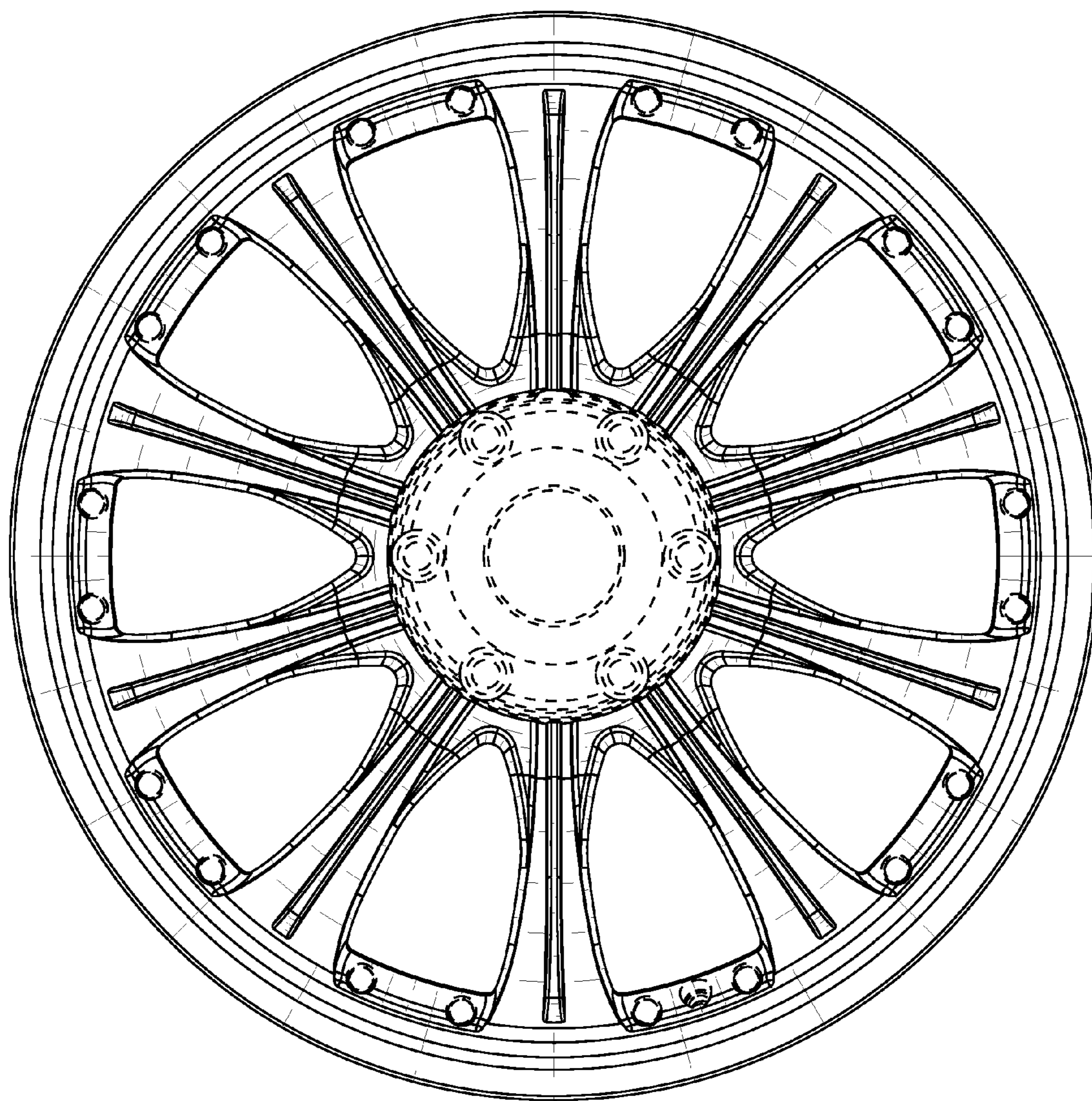


FIG. 2

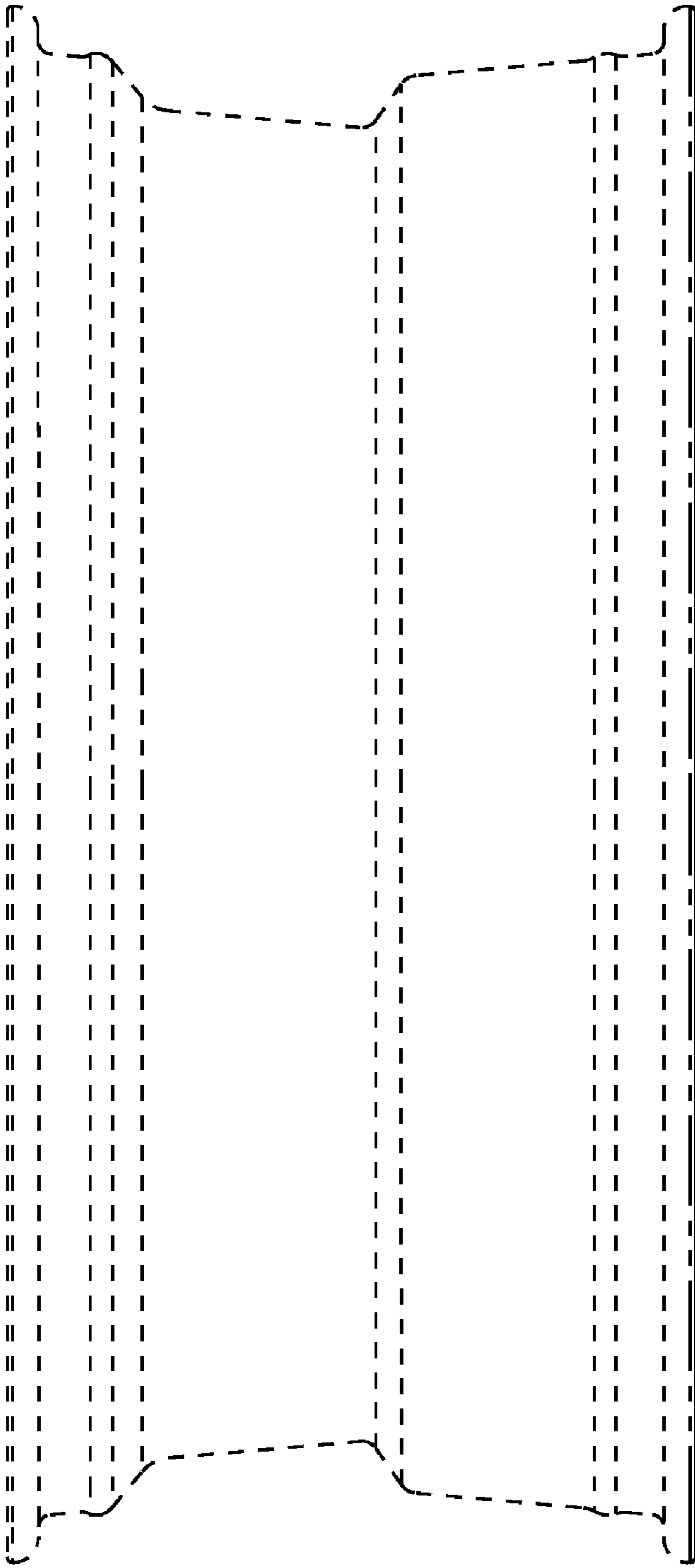


FIG. 3

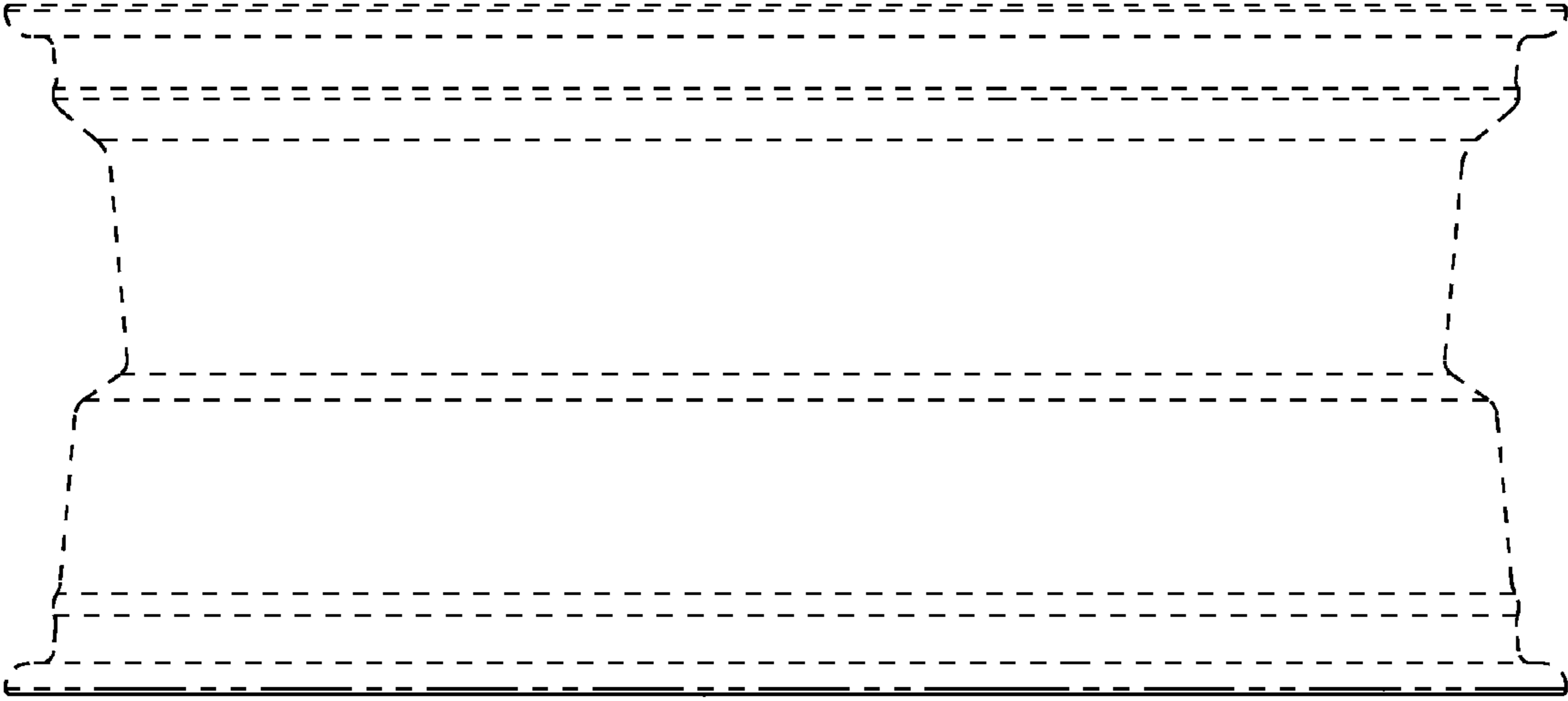


FIG. 4

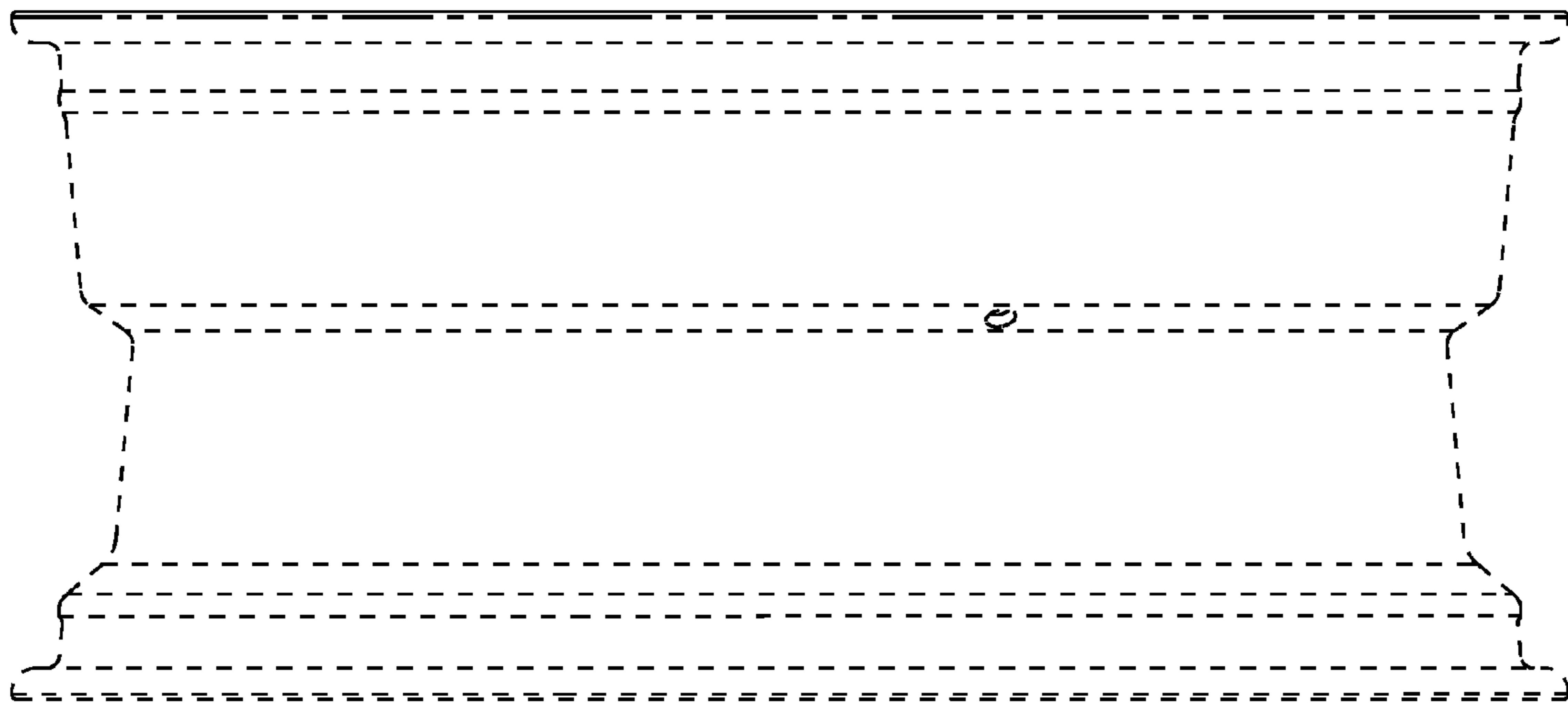


FIG. 5

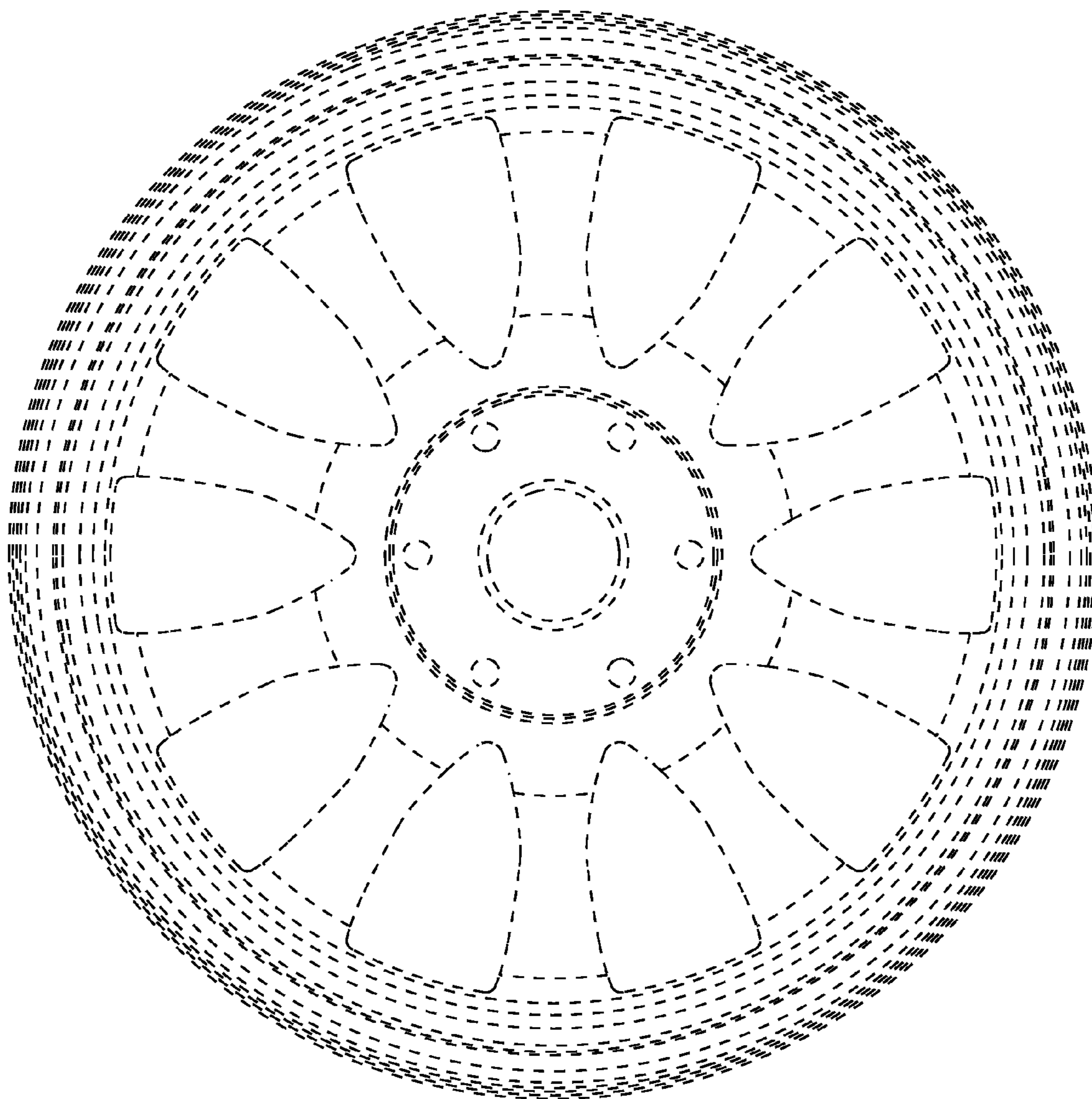


FIG. 6

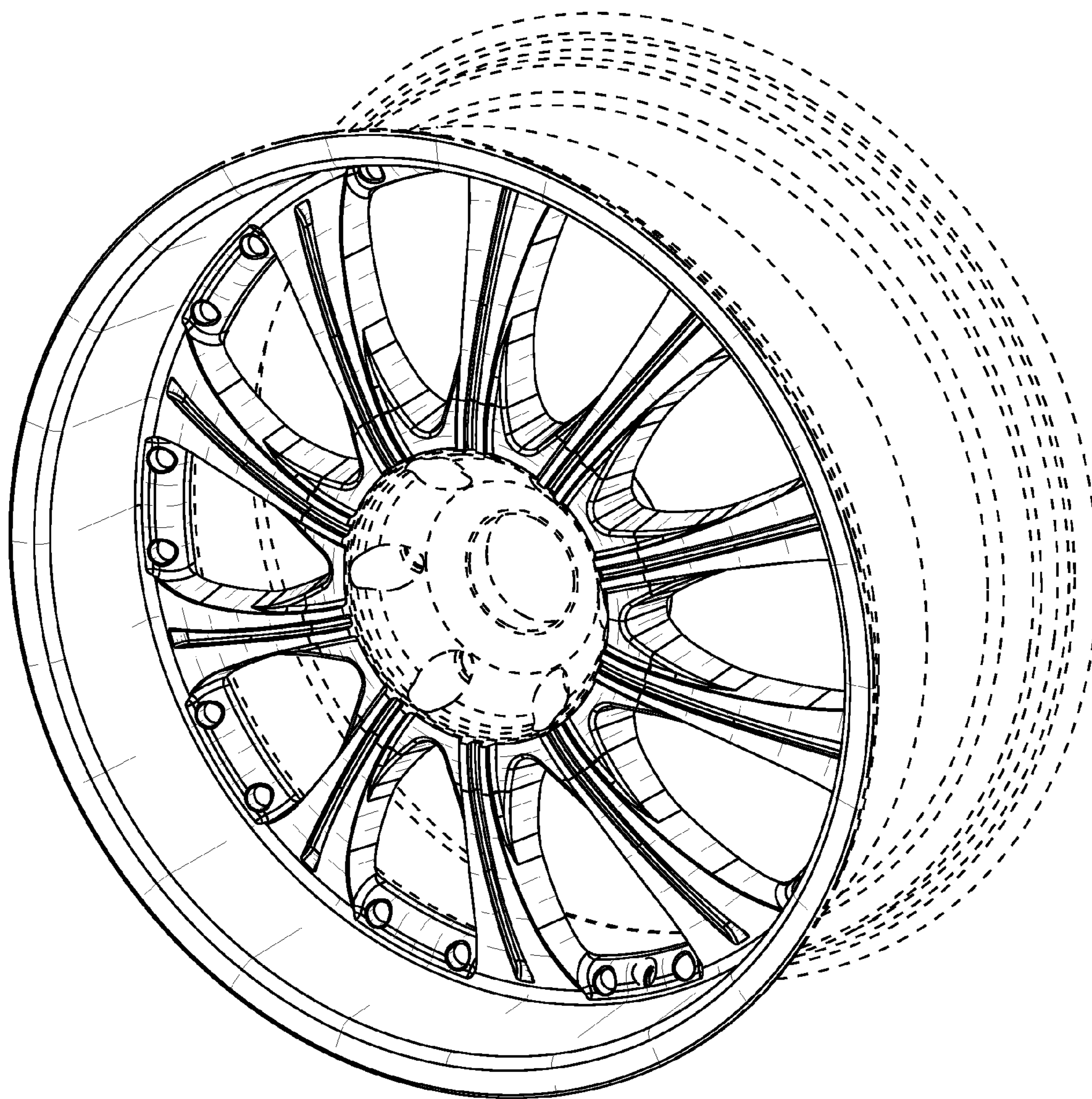


FIG. 7

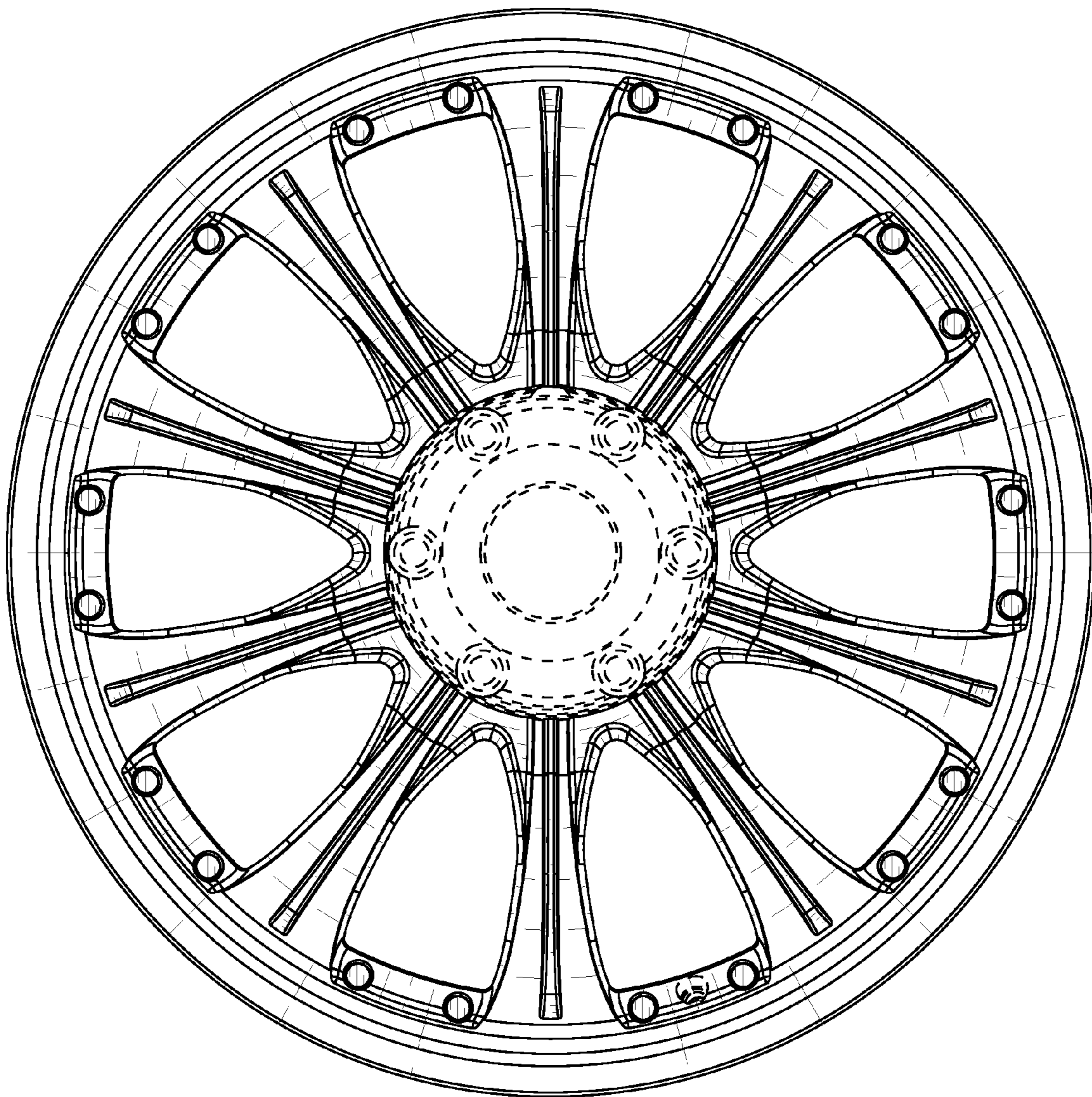


FIG. 8