



US00D596098S

(12) **United States Design Patent**  
**Huang-Tsai**

(10) **Patent No.:** **US D596,098 S**

(45) **Date of Patent:** **\*\* Jul. 14, 2009**

(54) **RUNNING BOARD**

(76) **Inventor:** **Li-Yue Huang-Tsai**, P.O. Box 90,  
Tainan City 70499 (TW)

(\*\*) **Term:** **14 Years**

(21) **Appl. No.:** **29/331,071**

(22) **Filed:** **Jan. 20, 2009**

(51) **LOC (9) Cl.** ..... **12-16**

(52) **U.S. Cl.** ..... **D12/203**

(58) **Field of Classification Search** ..... D12/203;  
D25/62, 69, 119-124; 182/90-92; 280/163-169,  
280/414-414.3, 847-848, 214; 264/516

See application file for complete search history.

(56) **References Cited**

**U.S. PATENT DOCUMENTS**

D342,476 S *	12/1993	Beckett	.....	D12/203
D361,973 S *	9/1995	Hornik	.....	D12/203
D395,267 S *	6/1998	Thompson	.....	D12/203
D400,151 S *	10/1998	Zentner	.....	D12/203
D400,485 S *	11/1998	Zentner	.....	D12/203
D436,336 S *	1/2001	Sadr	.....	D12/203
6,412,799 B1 *	7/2002	Schrempf	.....	280/163
D514,492 S *	2/2006	Metros et al.	.....	D12/203

D535,928 S *	1/2007	Crandall	.....	D12/203
D559,755 S *	1/2008	Ito et al.	.....	D12/203
D568,221 S *	5/2008	Cord et al.	.....	D12/203
D588,514 S *	3/2009	Kudelko et al.	.....	D12/203
2005/0067741 A1 *	3/2005	Chapman et al.	.....	264/516

\* cited by examiner

*Primary Examiner*—Cathron C Brooks

*Assistant Examiner*—Austin Murphy

(57) **CLAIM**

The ornamental design for a running board, as shown and described.

**DESCRIPTION**

FIG. 1 is a perspective view of a running board showing my design;

FIG. 2 is a front elevational view thereof;

FIG. 3 is a rear elevational view thereof;

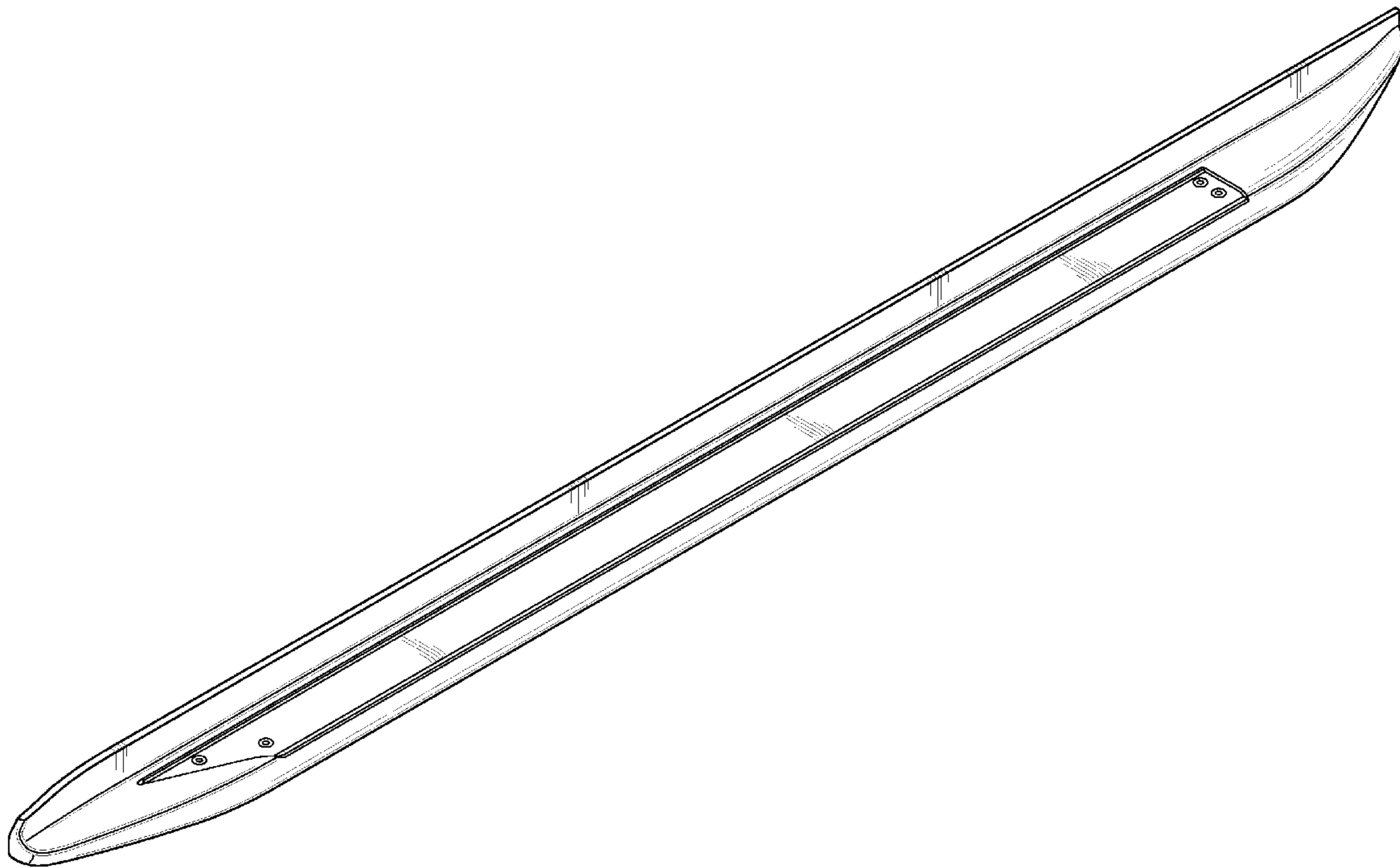
FIG. 4 is a left side elevational view thereof;

FIG. 5 is a right side elevational view thereof;

FIG. 6 is a top plan view thereof; and,

FIG. 7 is a bottom plan view thereof.

**1 Claim, 4 Drawing Sheets**



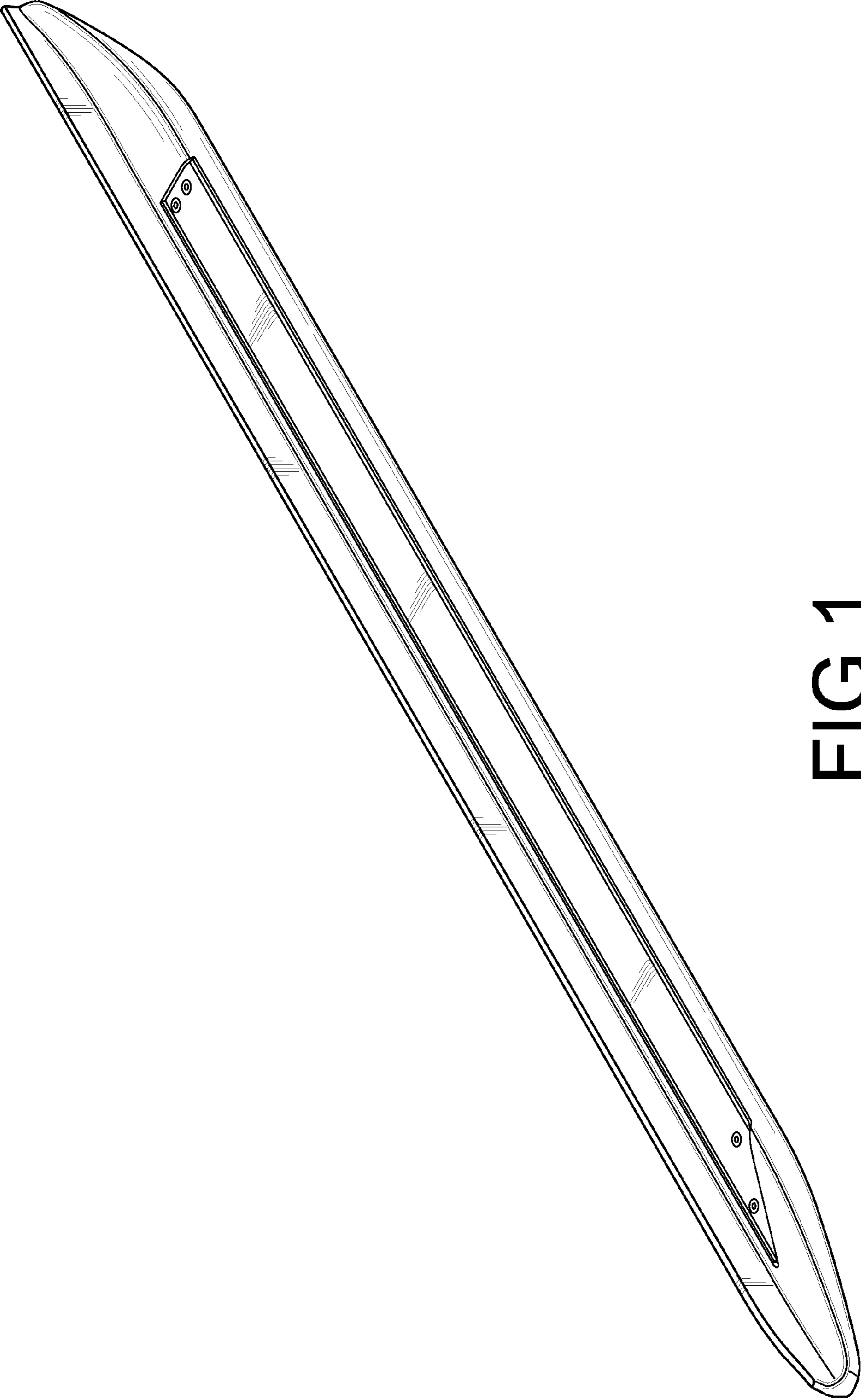


FIG.1

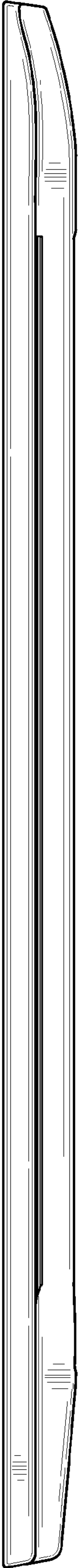


FIG. 2

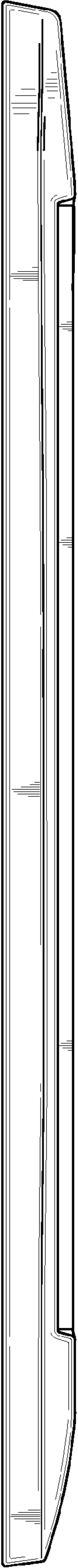
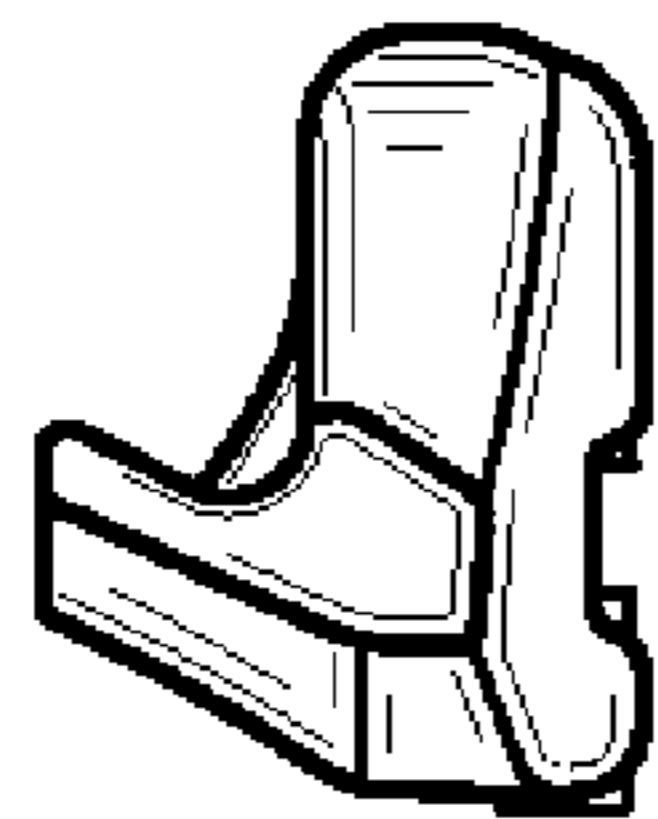
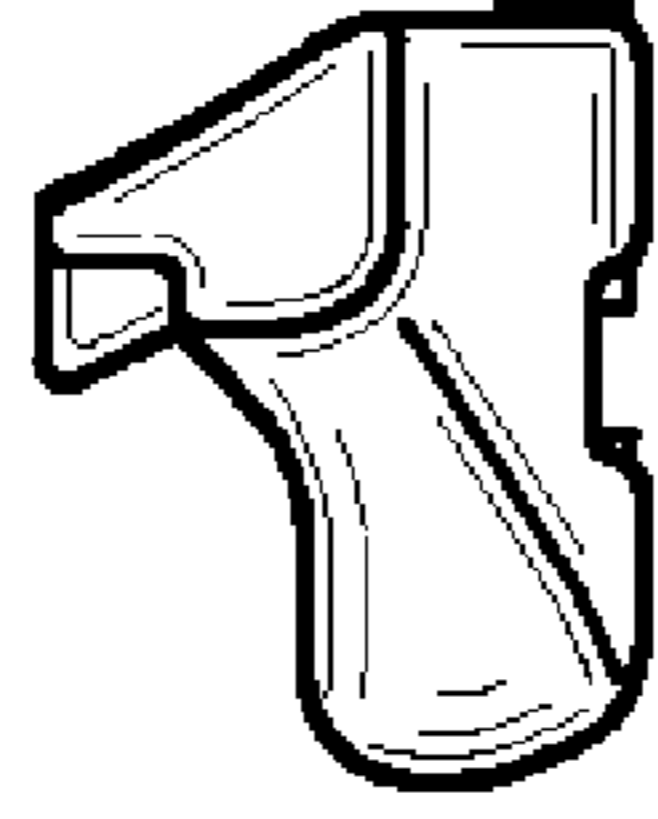


FIG. 3



**FIG. 5**

**FIG. 4**

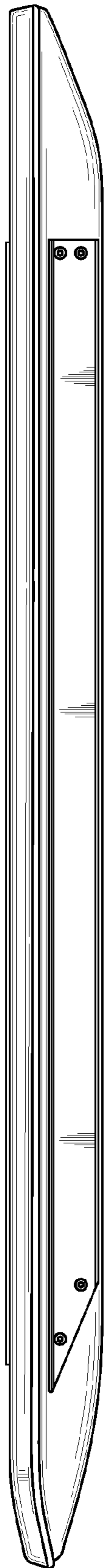


FIG. 6

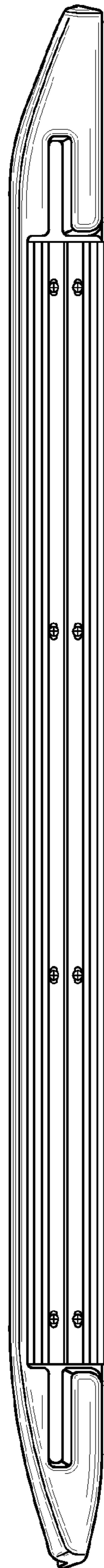


FIG. 7