

US00D596089S

(12) **United States Design Patent**
Platto et al.

(10) **Patent No.:** **US D596,089 S**
(45) **Date of Patent:** **** Jul. 14, 2009**

(54) **VEHICLE GRILLE**

D568,213 S * 5/2008 Platto et al. D12/92
D569,767 S * 5/2008 Abe et al. D12/91

(75) Inventors: **Gordon Platto**, Troy, MI (US); **Xitij Mistry**, Ann Arbor, MI (US); **Aram Kasparian**, Canton, MI (US); **Patrick Schiavone**, Bloomfield Village, MI (US)

OTHER PUBLICATIONS

Pund, Daniel, "The Bold and the Brutiful: Food designs another rear-drive sport sedan concept," Edmunds.com website article, located at <http://www.edmunds.com/insideline/do/Features/articleId=118988>; 4 pages; Dec. 30, 2006.

Thomas, David, "2007 Detroit Auto Show: Lincoln MKR Concept", Cars.com website article, located at http://blogs.cars.com/kickingtires/2006/12/2007_detroit_au.html; 5 pages; Dec. 31, 2006.

(73) Assignee: **Ford Motor Company**, Dearborn, MI (US)

(**) Term: **14 Years**

* cited by examiner

(21) Appl. No.: **29/302,108**

Primary Examiner—Philip S Hyder

(22) Filed: **Jan. 10, 2008**

Assistant Examiner—Cynthia Underwood

(51) **LOC (9) Cl.** **12-16**

(74) *Attorney, Agent, or Firm*—Frank A. MacKenzie; Brooks Kushman P.C.

(52) **U.S. Cl.** **D12/163**

(58) **Field of Classification Search** D12/169,
D12/163, 167, 400, 90-92, 86, 196; 296/193.1,
296/181.1; 293/102, 113, 115, 117, 120
See application file for complete search history.

(57) **CLAIM**

The ornamental design for a vehicle grille, as shown and described.

(56) **References Cited**

DESCRIPTION

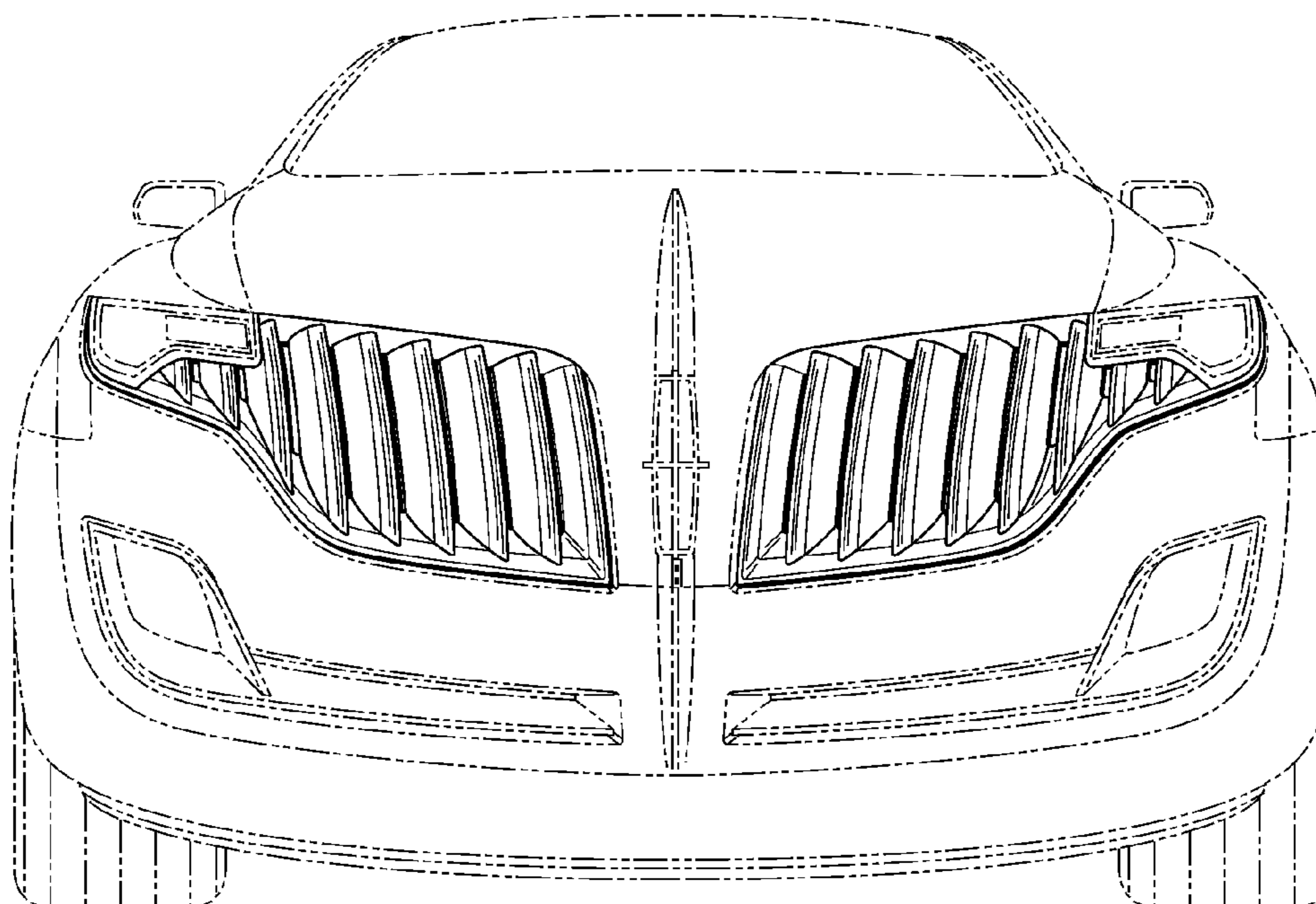
U.S. PATENT DOCUMENTS

D188,842 S *	9/1960	Dickerson	D12/163
D410,219 S *	5/1999	Bangle	D12/163
D525,912 S *	8/2006	Perkins	D12/92
D533,119 S *	12/2006	Schiavone et al.	D12/163
D543,899 S *	6/2007	Nicholas et al.	D12/92
D545,728 S *	7/2007	Golden et al.	D12/163
D545,729 S *	7/2007	Lee et al.	D12/163
D559,747 S *	1/2008	Platto et al.	D12/173
D560,566 S *	1/2008	Aris et al.	D12/163
D561,653 S *	2/2008	Platto et al.	D12/163
D562,193 S *	2/2008	Platto et al.	D12/163

FIG. 1 is a front perspective view of a vehicle grille in accordance with an embodiment of the present invention; and, FIG. 2 is a left side perspective of the vehicle grille of FIG. 1, wherein a right side perspective view is a mirror image thereof.

The broken lines showing logos, vehicle body, vehicle wheels and light assemblies are included for the purpose of illustrating environment and forms no part of the claimed design.

1 Claim, 2 Drawing Sheets



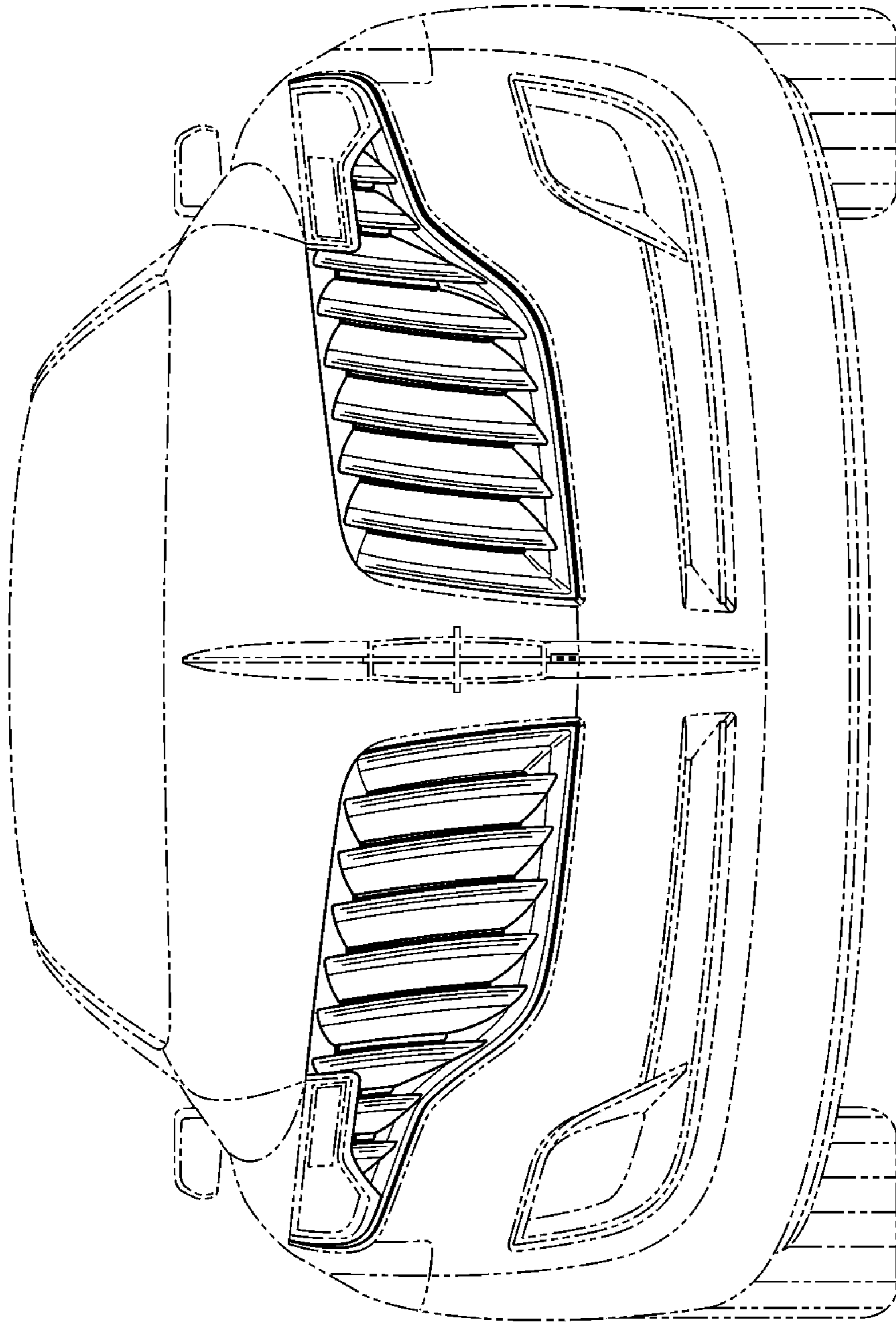


Fig. 1

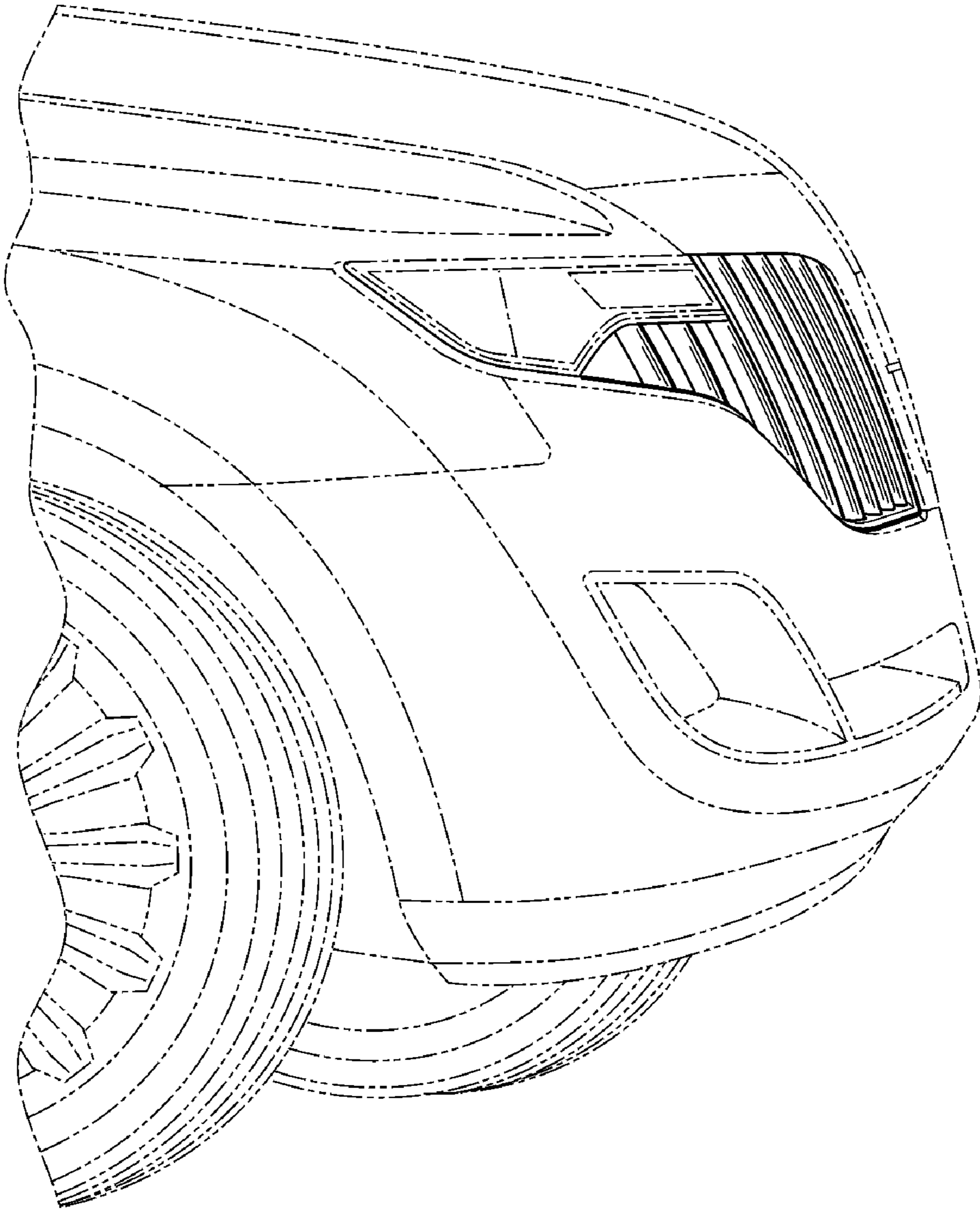


Fig. 2