



US00D596087S

(12) **United States Design Patent**  
**Brown**

(10) **Patent No.:** **US D596,087 S**  
(45) **Date of Patent:** **\*\* Jul. 14, 2009**

(54) **CONNECTION FOR A SIMULATED SHOCK ABSORBER**

2008/0018035 A1\* 1/2008 Porter et al. .... 267/218

(76) Inventor: **Ron Brown**, P.O. Box 1157, Pinedale, WY (US) 82941

(\*\*) Term: **14 Years**

(21) Appl. No.: **29/330,336**

(22) Filed: **Jan. 5, 2009**

**Related U.S. Application Data**

(62) Division of application No. 29/275,621, filed on Jan. 2, 2007, now Pat. No. Des. 586,703.

(51) **LOC (9) Cl.** ..... **12-16**

(52) **U.S. Cl.** ..... **D12/159**

(58) **Field of Classification Search** ..... D12/159,  
D12/160, 161, 400, 188; 464/173; 267/64.15,  
267/136, 195, 217; 188/286, 274, 316, 315,  
188/297, 298, 281; 280/11.225, 86.752,  
280/124.145, 124.147, 124.155; D21/763;  
293/134

See application file for complete search history.

(56) **References Cited**

**U.S. PATENT DOCUMENTS**

D233,743 S *	11/1974	Hobbins	.....	D12/159
D239,377 S *	3/1976	Castelli	.....	D12/159
5,085,298 A *	2/1992	Sollami	.....	188/314
6,142,268 A *	11/2000	Kuo-An	.....	188/274
7,191,877 B2 *	3/2007	Norgaard et al.	.....	188/274
D569,313 S *	5/2008	Korner et al.	.....	D12/159
D586,703 S	2/2009	Brown		
2006/0289258 A1 *	12/2006	Fox	.....	188/322.21
2007/0144844 A1 *	6/2007	Riley et al.	.....	188/281
2007/0175718 A1 *	8/2007	Beck	.....	188/315

**OTHER PUBLICATIONS**

Notice of Allowance dated Oct. 20, 2008 cited in related U.S. Appl. No. 29/275,621.

\* cited by examiner

*Primary Examiner*—Louis S Zarfaz

*Assistant Examiner*—Michael A Pratt

(74) *Attorney, Agent, or Firm*—Workman Nydegger

(57) **CLAIM**

The ornamental design for a connection for a simulated shock absorber, as shown and described.

**DESCRIPTION**

FIG. 1 is a front view of the connection for a simulated shock absorber, illustrating the simulated shock absorber body connected to an exemplary vehicle;

FIG. 2 is an enlarged top view of the connection for a simulated shock absorber, with the bottom view being a mirror image thereof;

FIG. 3 is a left side view of the connection for a simulated shock absorber shown in FIG. 2;

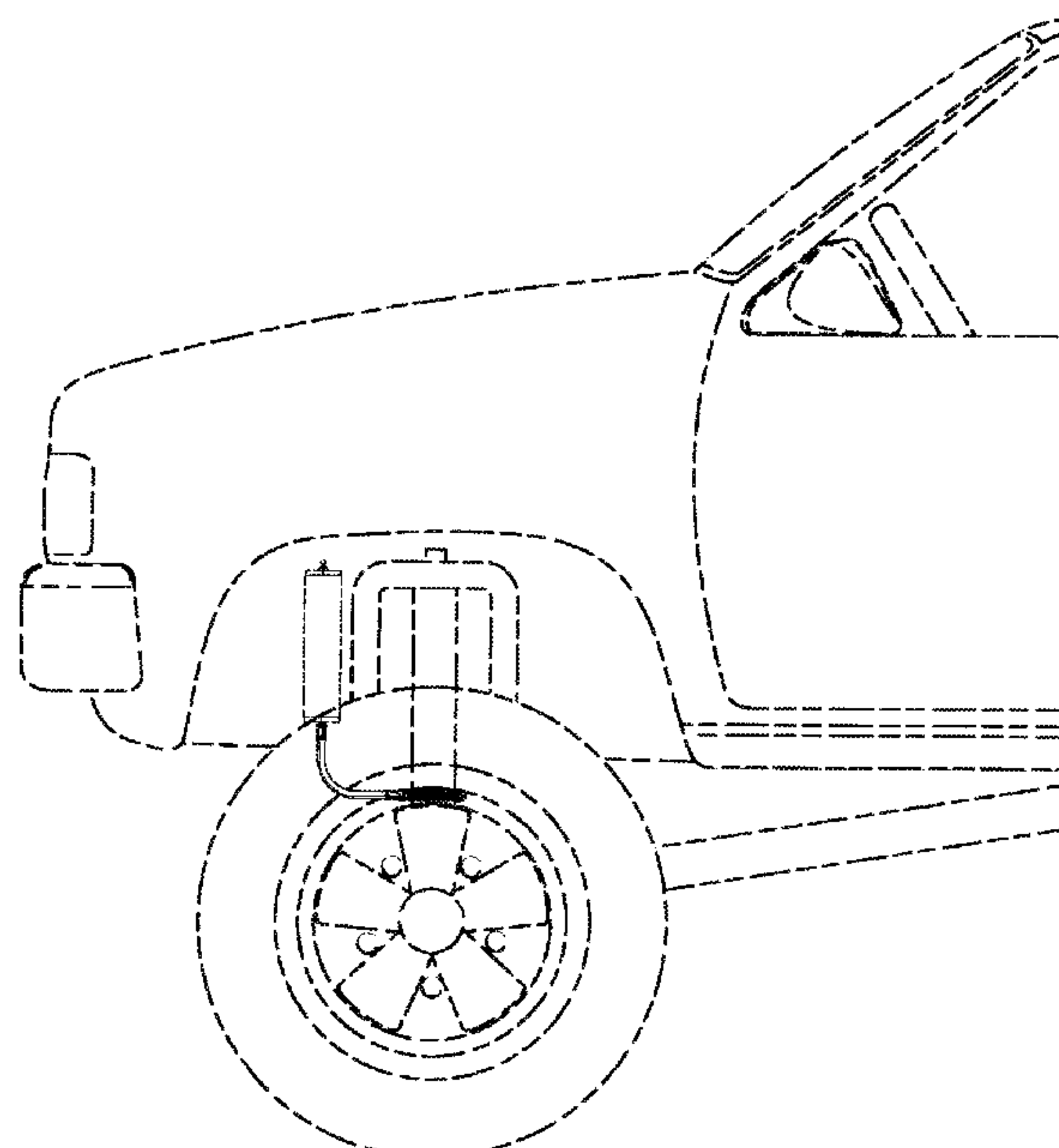
FIG. 4 is a right side view of the connection for a simulated shock absorber shown in FIG. 2;

FIG. 5 is a front view of the connection for a simulated shock absorber shown in FIG. 2; and,

FIG. 6 is a back view of the connection for a simulated shock absorber shown in FIG. 2.

The broken line showing of a shock absorber body in FIGS. 2–5 and a vehicle in FIG. 1 are included for the purpose of illustrating environment and forms no part of the claimed designs.

**1 Claim, 3 Drawing Sheets**



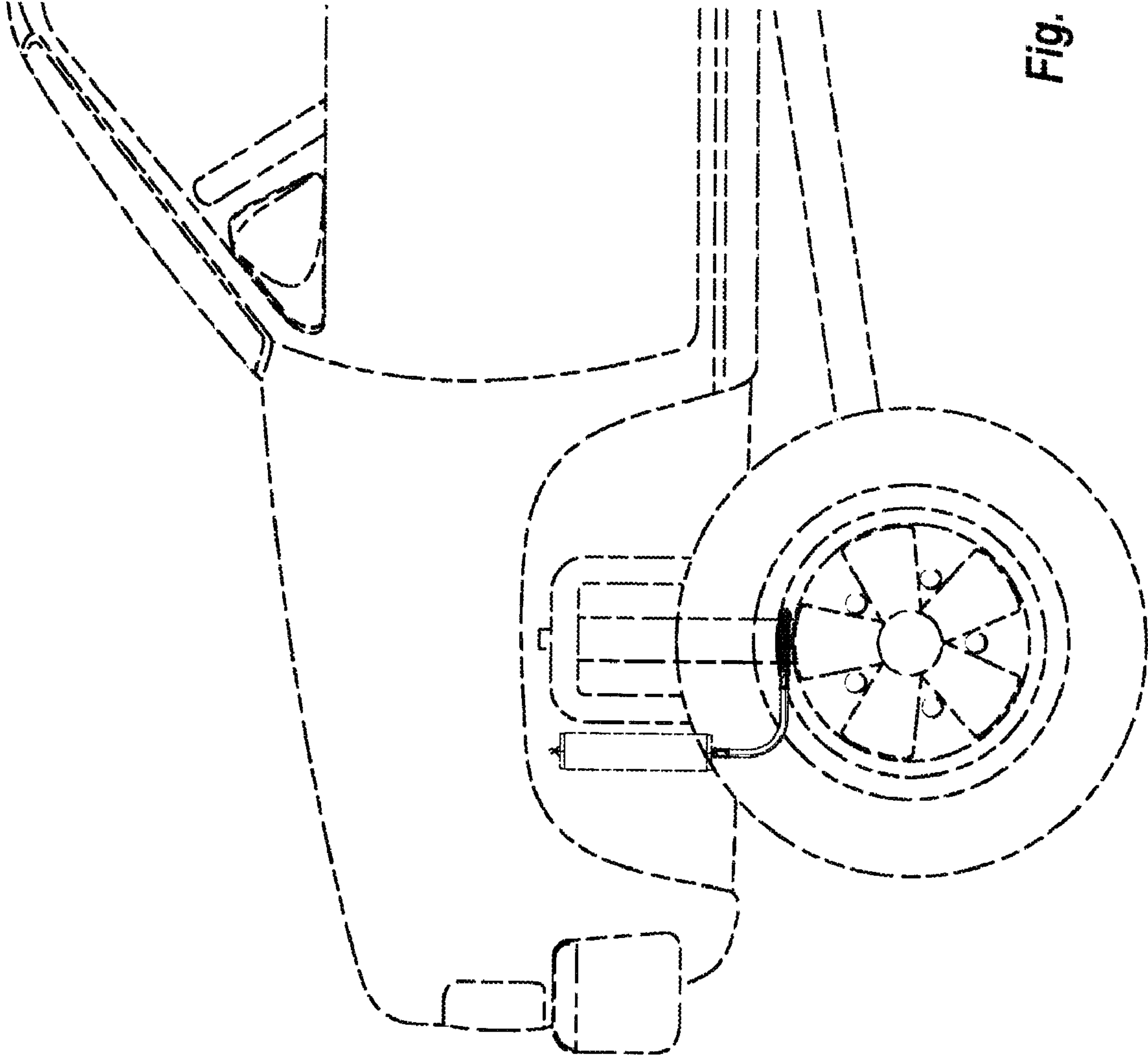


Fig. 1

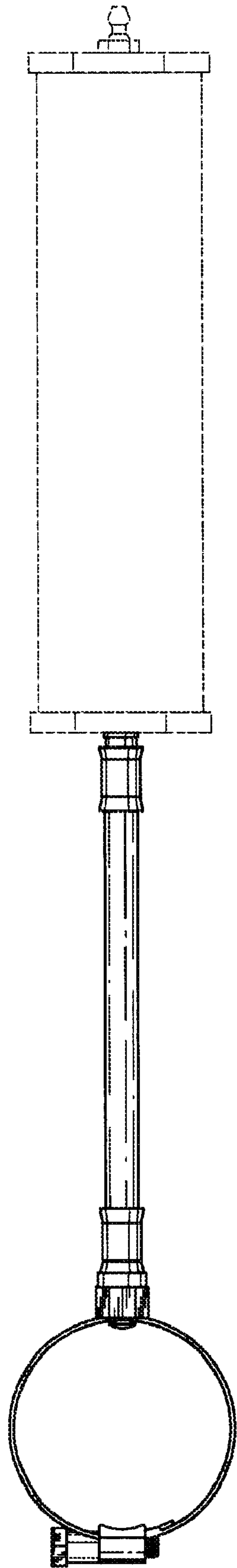


Fig. 2

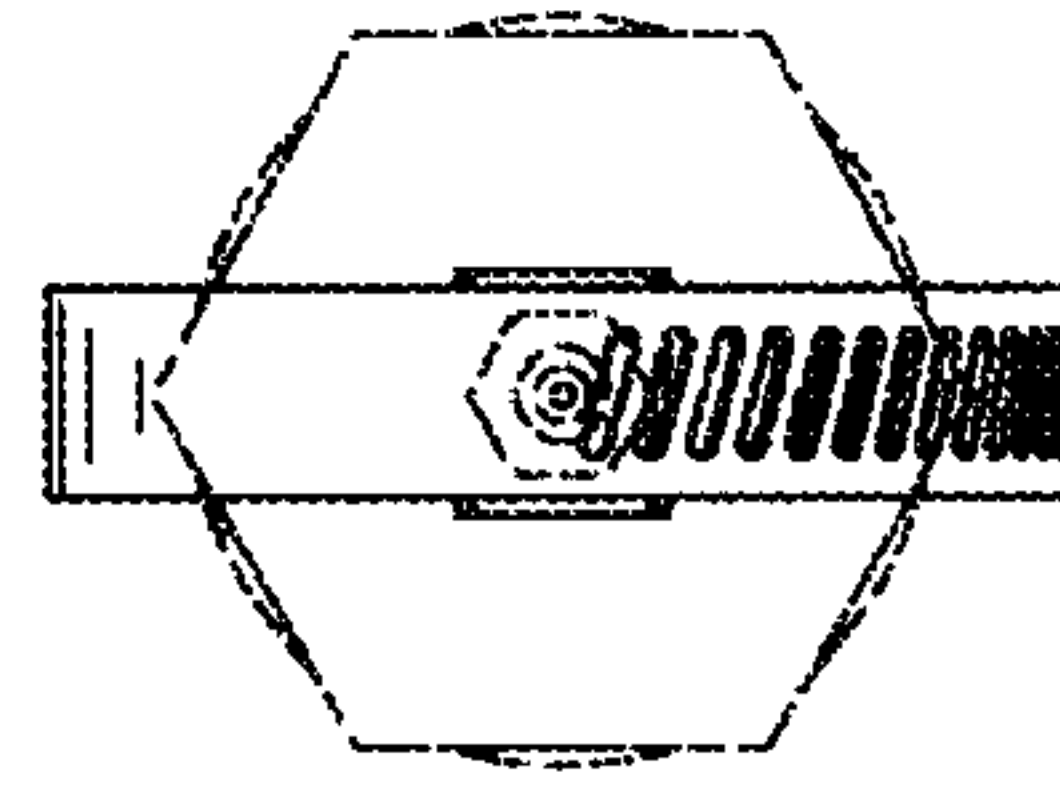


Fig. 4

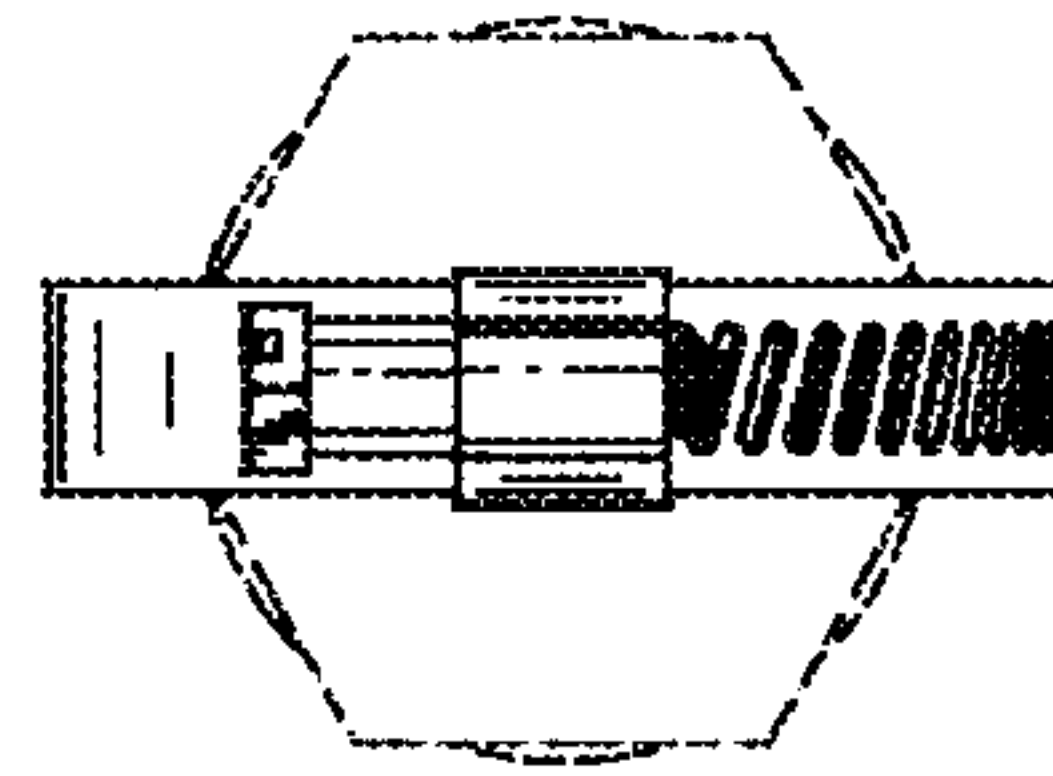
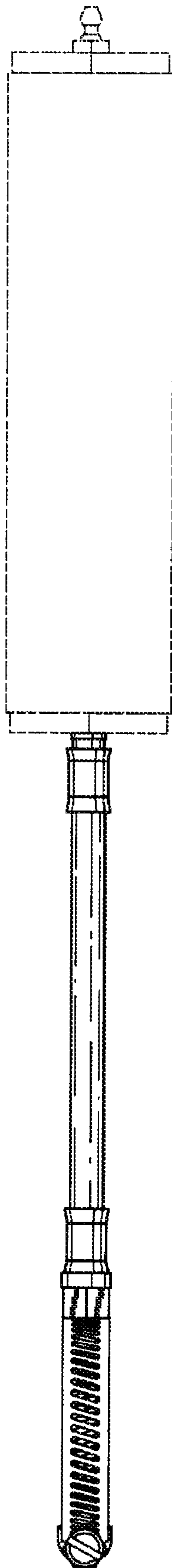
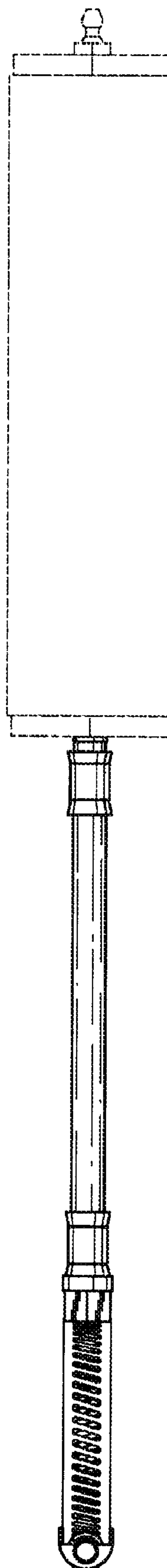


Fig. 3



*Fig. 5*



*Fig. 6*