



US00D596086S

(12) **United States Design Patent**
Brown

(10) **Patent No.:** **US D596,086 S**
(45) **Date of Patent:** **** Jul. 14, 2009**

(54) **SIMULATED SHOCK ABSORBER BODY**

2008/0018035 A1* 1/2008 Porter et al. 267/218

(76) Inventor: **Ron Brown**, 146 Freemont Lake Rd.,
Pinedale, WY (US) 82941

(**) Term: **14 Years**

(21) Appl. No.: **29/330,335**

(22) Filed: **Jan. 5, 2009**

Related U.S. Application Data

(62) Division of application No. 29/275,621, filed on Jan. 2,
2007, now Pat. No. Des. 586,703.

(51) **LOC (9) Cl.** **12-16**

(52) **U.S. Cl.** **D12/159**

(58) **Field of Classification Search** D12/159,
D12/160, 161, 400, 188; 464/173; 267/64.15,
267/136, 195, 217; 188/286, 274, 316, 315,
188/297, 298, 281; 280/11.225, 86.752,
280/124.145, 124.147, 124.155; D21/763;
293/134

See application file for complete search history.

(56) **References Cited**

U.S. PATENT DOCUMENTS

D233,743	S	*	11/1974	Hobbins	D12/159
D239,377	S	*	3/1976	Castelli	D12/159
5,085,298	A	*	2/1992	Sollami	188/314
6,142,268	A	*	11/2000	Kuo-An	188/274
7,191,877	B2	*	3/2007	Norgaard et al.	188/274
D569,313	S	*	5/2008	Korner et al.	D12/159
D586,703	S		2/2009	Brown		
2006/0289258	A1	*	12/2006	Fox	188/322.21
2007/0144844	A1	*	6/2007	Riley et al.	188/281
2007/0175718	A1	*	8/2007	Beck	188/315

OTHER PUBLICATIONS

Notice of Allowance dated Oct. 20, 2008 cited in related U.S. Appl.
No. 29/275,621.

* cited by examiner

Primary Examiner—Louis S Zarfaz

Assistant Examiner—Michael A Pratt

(74) *Attorney, Agent, or Firm*—Workman Nydegger

(57) **CLAIM**

The ornamental design for a simulated shock absorber body,
as shown and described.

DESCRIPTION

FIG. 1 is a front view of the simulated shock absorber body,
illustrating the simulated shock absorber body connected to
an exemplary vehicle;

FIG. 2 is an enlarged top view of the simulated shock absorber
body, with the bottom view being a mirror image thereof;

FIG. 3 is a left side view of the simulated shock absorber body
shown in FIG. 2;

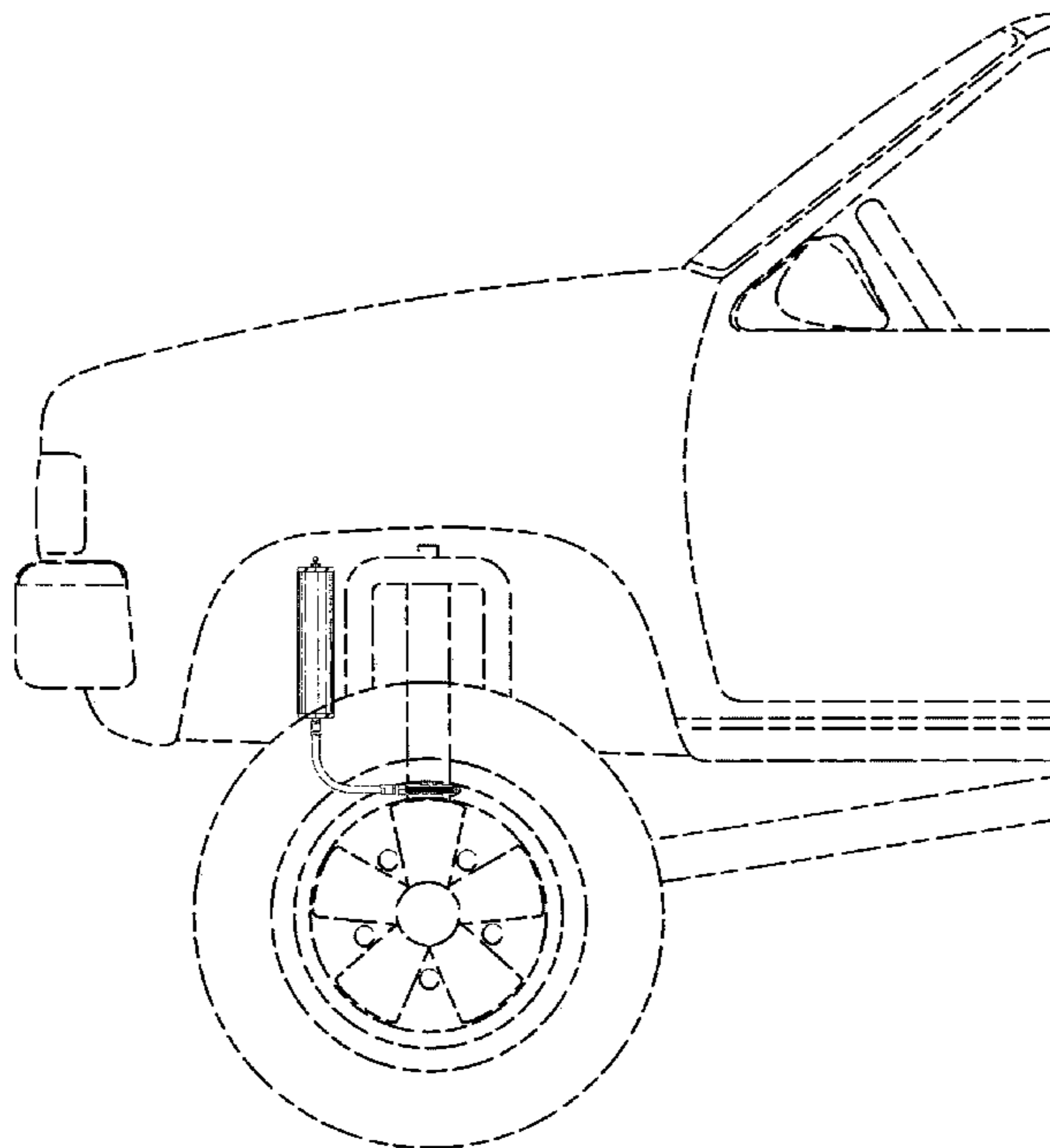
FIG. 4 is a right side view of the simulated shock absorber
body shown in FIG. 2;

FIG. 5 is a front view of the simulated shock absorber body
shown in FIG. 2; and,

FIG. 6 is a back view of the simulated shock absorber body
shown in FIG. 2.

The broken line showing of portions of a simulated shock
absorber body in FIGS. 1–6 and a vehicle in FIG. 7 in FIGS.
1–5 are included for the purpose of illustrating environment
and forms no part of the claimed design.

1 Claim, 3 Drawing Sheets



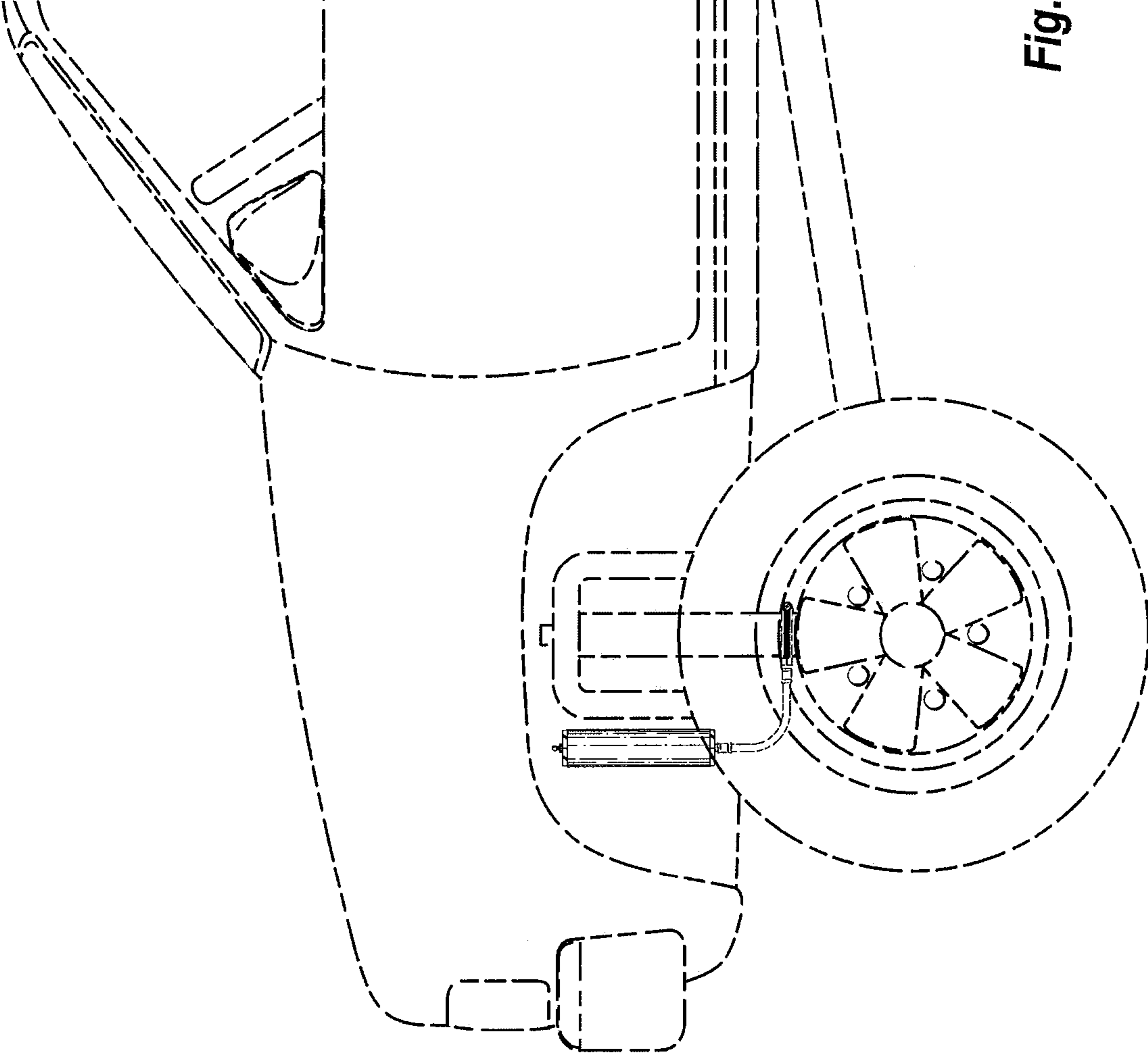


Fig. 1

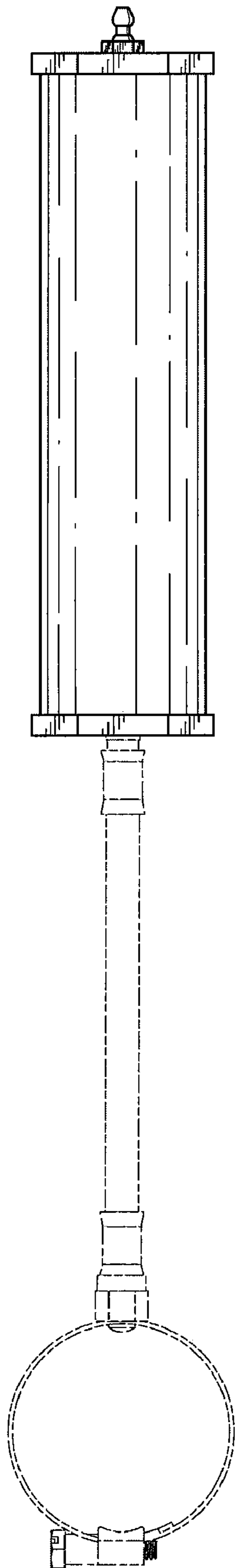


Fig. 2

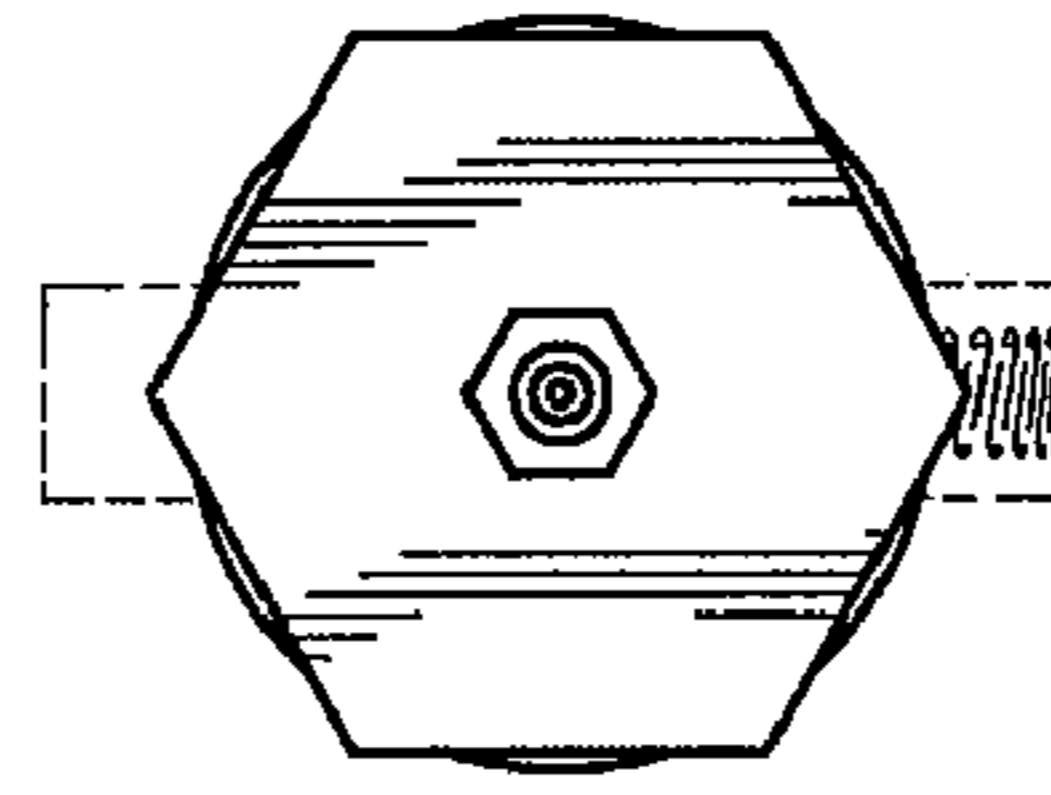


Fig. 4

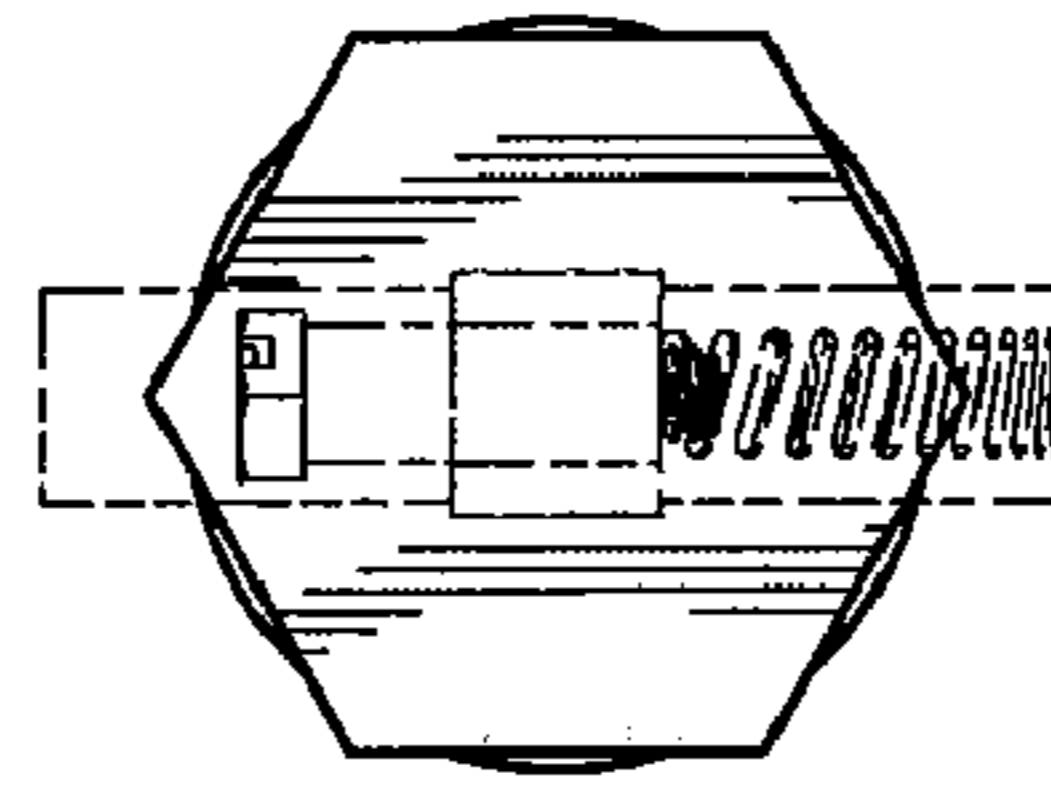


Fig. 3

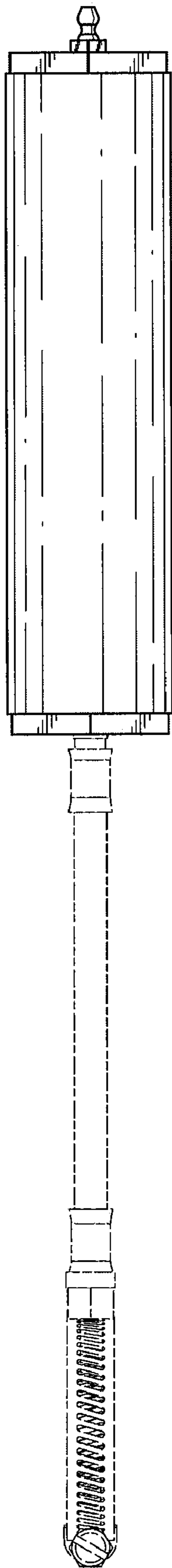


Fig. 5

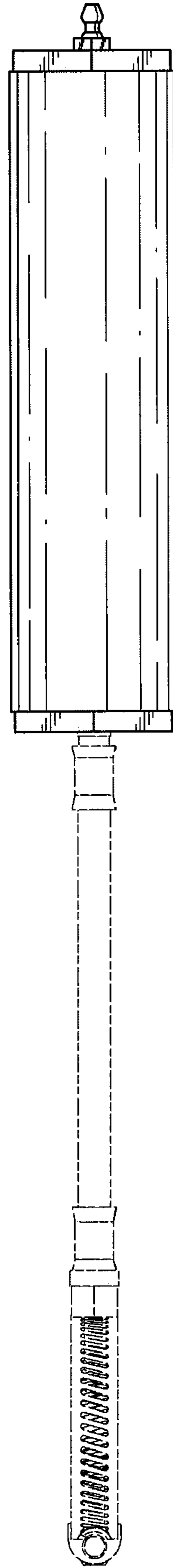


Fig. 6

UNITED STATES PATENT AND TRADEMARK OFFICE
CERTIFICATE OF CORRECTION

PATENT NO. : Des. 596,086 S
APPLICATION NO. : 29/330335
DATED : July 14, 2009
INVENTOR(S) : Brown

Page 1 of 1

It is certified that error appears in the above-identified patent and that said Letters Patent is hereby corrected as shown below:

Title Page Field 57, Description, correct the following paragraph:

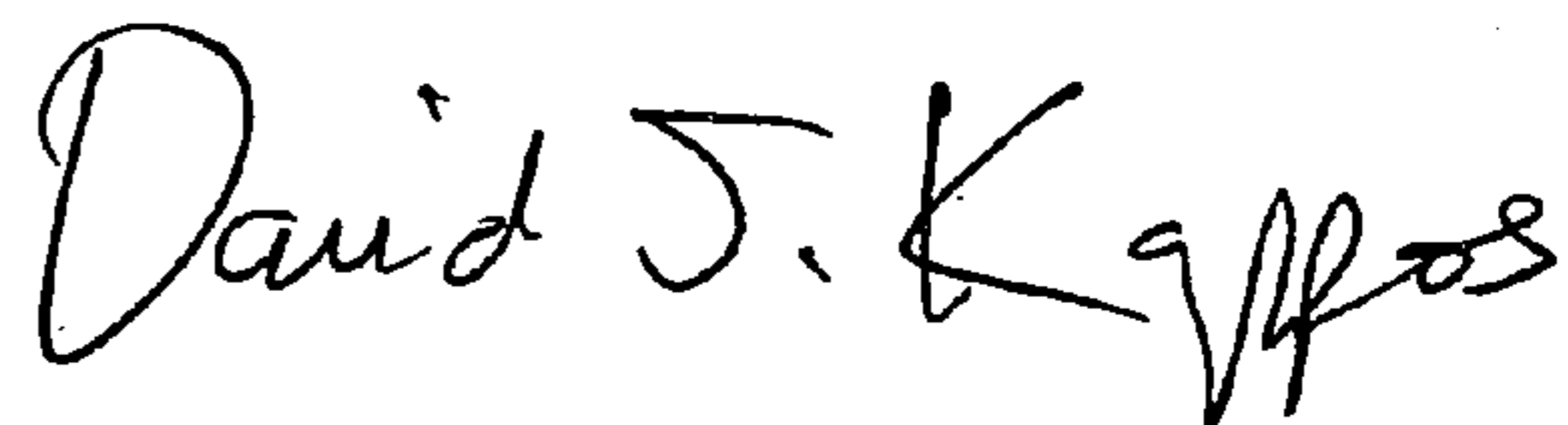
“The broken line showing of portions of a simulated shock absorber body in FIGS. 1-6 and a vehicle in FIG. 7 in FIGS. 1-5 are included for the purpose of illustrating environment and forms no part of the claimed design”

Changed to

--The broken line showing portions of a simulated shock absorber body in FIGS. 1-6 and a vehicle in FIG. 1 is included for the purpose of illustrating environment and forms no part of the claimed design--

Signed and Sealed this

Twentieth Day of July, 2010



David J. Kappos
Director of the United States Patent and Trademark Office