

US00D596076S

(12) **United States Design Patent**  
**Kelley et al.**

(10) **Patent No.:** **US D596,076 S**  
(45) **Date of Patent:** **\*\* Jul. 14, 2009**

(54) **OFF-HIGHWAY TRUCK**

(75) Inventors: **Craig B. Kelley**, Dunlap, IL (US); **Gary C. Bryant**, Chillicothe, IL (US); **John J. Maas**, Mount Zion, IL (US); **Michael J. Vance**, Sahuarita, AZ (US); **Andrew M. Rummer**, Forsyth, IL (US); **Larry T. Ryterski**, Peoria, IL (US); **Kolin J. Kirschenmann**, East Peoria, IL (US); **Robert W. Briggs**, Lexington, KY (US); **Don J. Robinson**, Decatur, IL (US); **Clifford E. Miller**, Marseilles, IL (US); **Terry A. Coins**, Decatur, IL (US); **Matthew P. Jacobs**, Fuquay-Varina, NC (US)

(73) Assignee: **Caterpillar Inc.**, Peoria, IL (US)

(\*\*) Term: **14 Years**

(21) Appl. No.: **29/285,500**

(22) Filed: **Mar. 30, 2007**

(51) **LOC (9) Cl.** ..... **08-10**

(52) **U.S. Cl.** ..... **D12/15**

(58) **Field of Classification Search** ..... D12/1,  
D12/5, 22, 15, 93, 98, 196, 14; D15/10,  
D15/25, 30, 33; 414/245, 685, 688, 722,  
414/724, 493; 108/234, 641; 37/403, 413,  
37/442, 443, 412; D21/558, 559, 562, 561  
See application file for complete search history.

(56) **References Cited**

**U.S. PATENT DOCUMENTS**

2,796,141 A 6/1957 Schreiner  
D184,217 S \* 1/1959 Erlacher et al. .... D12/15  
D217,726 S \* 6/1970 Cohn ..... D21/554

D224,651 S 8/1972 Lorenz  
3,713,666 A \* 1/1973 Cheers et al. .... 280/124.177  
D234,130 S \* 1/1975 Kress ..... D12/15  
D235,528 S \* 6/1975 Ahola ..... D12/15  
3,923,337 A \* 12/1975 Kershaw et al. .... 296/183.2  
3,938,238 A \* 2/1976 Kershaw et al. .... 29/469  
D240,613 S \* 7/1976 Thomas et al. .... D12/15

(Continued)

**OTHER PUBLICATIONS**

Rigid Dumper, Rd 32, Astra, English Sep. 2005 (3 pps.).

(Continued)

*Primary Examiner*—T. Chase Nelson  
*Assistant Examiner*—Ania K Dworzecka  
(74) *Attorney, Agent, or Firm*—Michael D. Braunstein

(57) **CLAIM**

The ornamental design for an off-highway truck, as shown and described.

**DESCRIPTION**

FIG. 1 is a front perspective view of our new design.

FIG. 2 is a rear perspective view thereof;

FIG. 3 is a right view thereof;

FIG. 4 is a left view thereof;

FIG. 5 is a top view thereof;

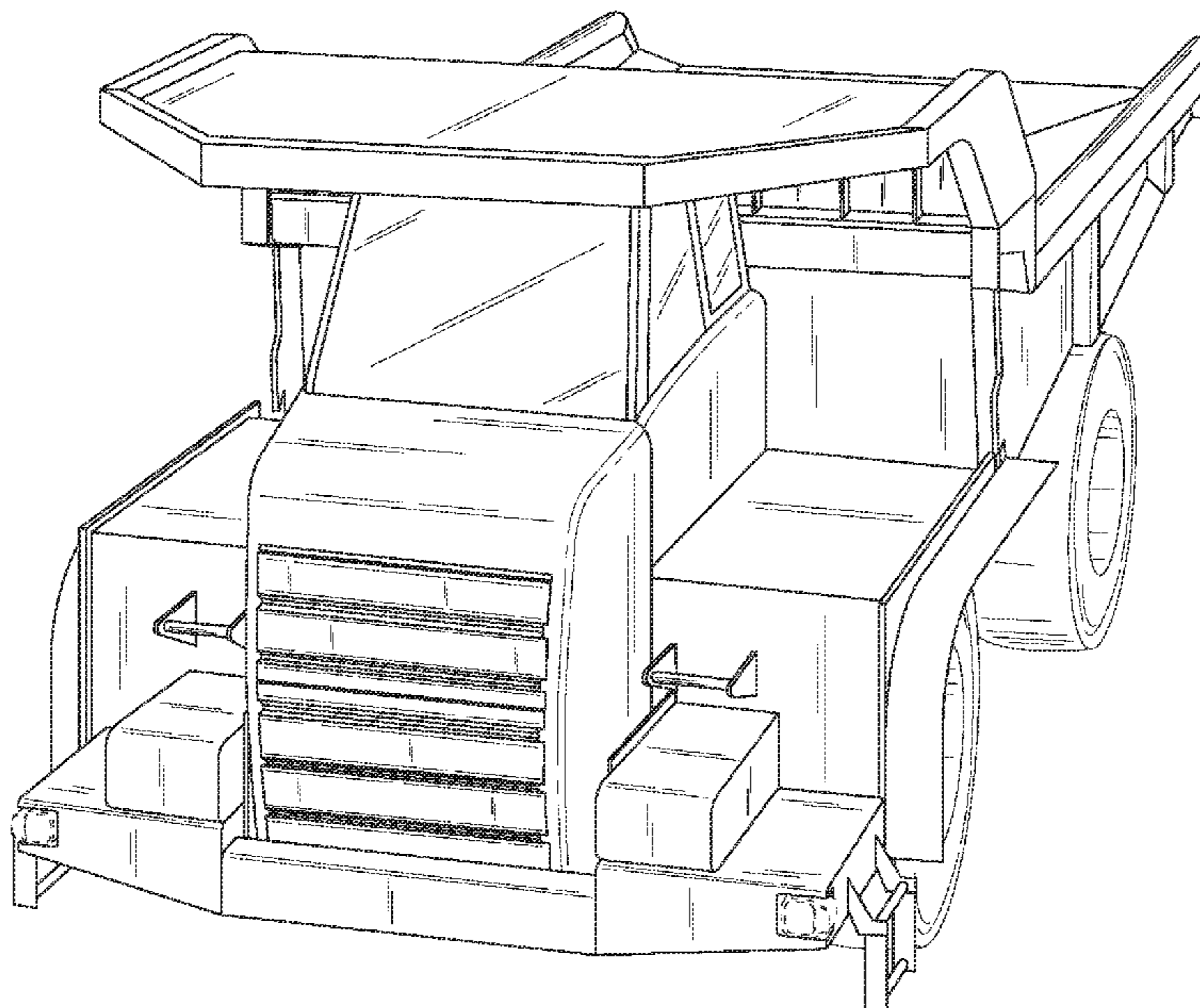
FIG. 6 is a left, front perspective view thereof; and,

FIG. 7 is a right, front perspective view thereof.

The bottom view does not form part of the claimed design and therefore is not disclosed.

The elements depicted in dashed lines form no part of the claimed design.

**1 Claim, 7 Drawing Sheets**



# US D596,076 S

Page 2

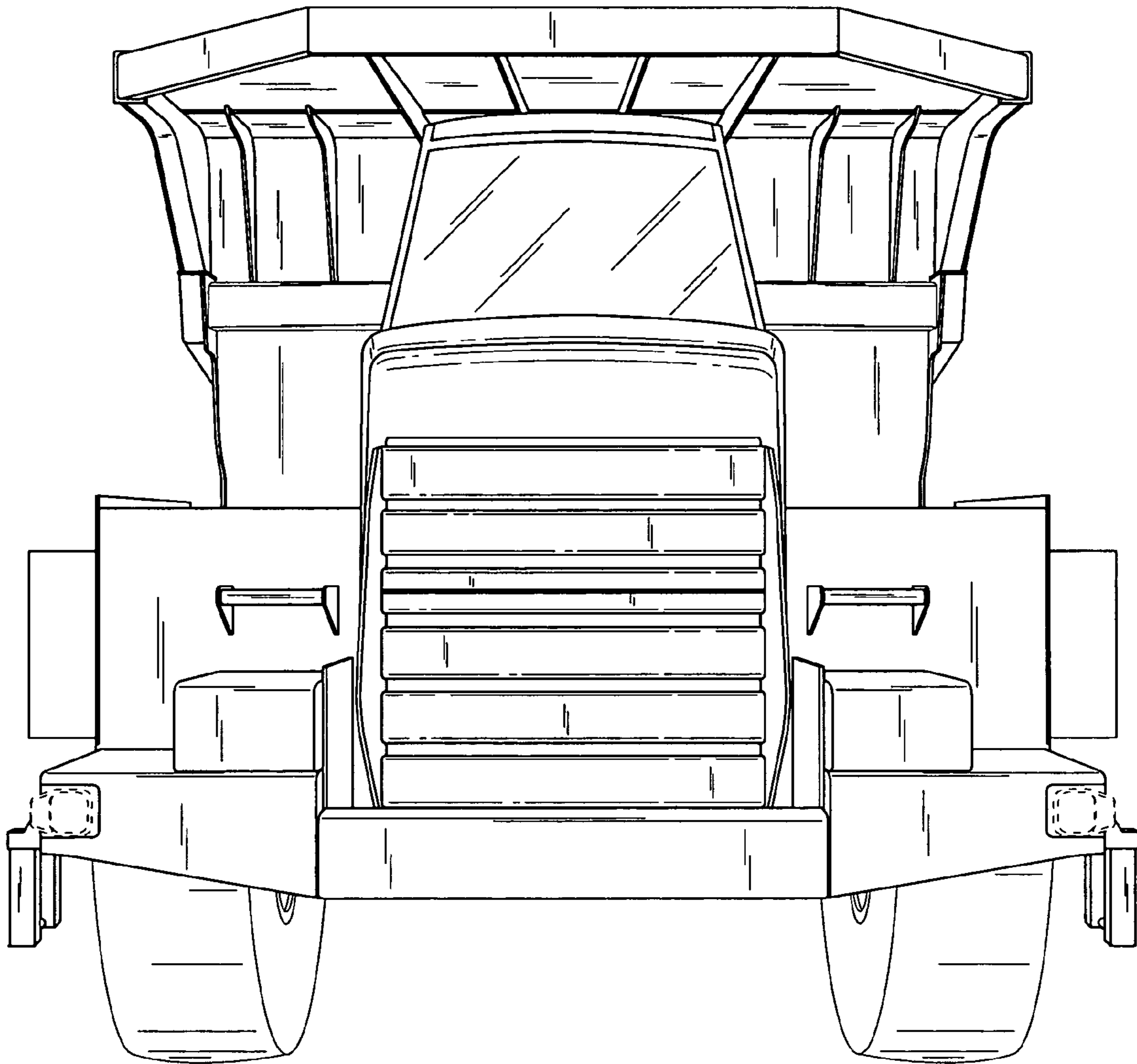
## U.S. PATENT DOCUMENTS

3,977,489	A *	8/1976	Cole et al. ....	180/89.1	6,935,678	B1 *	8/2005	Laban et al. ....	296/183.2
4,236,601	A *	12/1980	Naka .....	182/76	7,100,256	B2 *	9/2006	D'Amico et al. ....	29/401.1
4,307,300	A *	12/1981	Kisami .....	307/9.1	7,131,670	B2 *	11/2006	Kinoshita .....	280/856
4,325,444	A *	4/1982	Anami .....	180/346	7,207,621	B2	4/2007	D'Amico et al.	
4,418,636	A *	12/1983	Piper .....	116/28 R	D545,473	S *	6/2007	Nunes .....	D26/73
4,491,336	A *	1/1985	Myers .....	280/124.154	D560,553	S *	1/2008	Vance et al. ....	D12/15
4,531,781	A *	7/1985	Hunt et al. ....	298/22 P	2002/0047300	A1 *	4/2002	Uematsu et al. ....	298/22 R
D289,069	S *	3/1987	Ohno .....	D21/580	2002/0103623	A1 *	8/2002	Hasegawa et al. ....	702/184
D289,748	S	5/1987	Proeschl		2003/0010549	A1 *	1/2003	Hinton et al. ....	180/65.5
4,684,152	A *	8/1987	Goodbary et al. ....	280/785	2004/0026959	A1 *	2/2004	Kostecki .....	296/183.2
4,719,361	A *	1/1988	Brubaker .....	290/45	2004/0036245	A1 *	2/2004	Mollhagen .....	280/124.128
5,385,391	A *	1/1995	Dickerson .....	298/17 R	2004/0102907	A1 *	5/2004	Lueschow et al. ....	702/33
5,472,062	A *	12/1995	Nagai et al. ....	180/252	2004/0104596	A1 *	6/2004	Bender .....	296/183.2
5,520,442	A *	5/1996	Kisami et al. ....	298/17 R	2005/0040695	A1 *	2/2005	Kinoshita .....	301/36.3
5,564,519	A *	10/1996	Katoh et al. ....	180/243	2005/0126056	A1 *	6/2005	Kostecki .....	37/379
5,797,657	A *	8/1998	D'Amico et al. ....	298/17 R	2005/0278089	A1 *	12/2005	Lueschow .....	701/29
6,086,076	A *	7/2000	Prem et al. ....	280/124.111	2006/0080818	A1 *	4/2006	D'Amico et al. ....	29/401.1
6,113,193	A *	9/2000	Kunzeman .....	298/1 H	2007/0101818	A1 *	5/2007	Kabrich et al. ....	74/335
6,175,788	B1 *	1/2001	Hasegawa et al. ....	701/29	2007/0114092	A1 *	5/2007	Khalil et al. ....	180/406
D458,943	S	6/2002	Briggs et al.						
D465,499	S	11/2002	Briggs et al.						
6,542,851	B2 *	4/2003	Hasegawa et al. ....	702/182					
6,588,539	B2 *	7/2003	Hinton et al. ....	180/372					
6,612,774	B1 *	9/2003	Dulin .....	404/104					

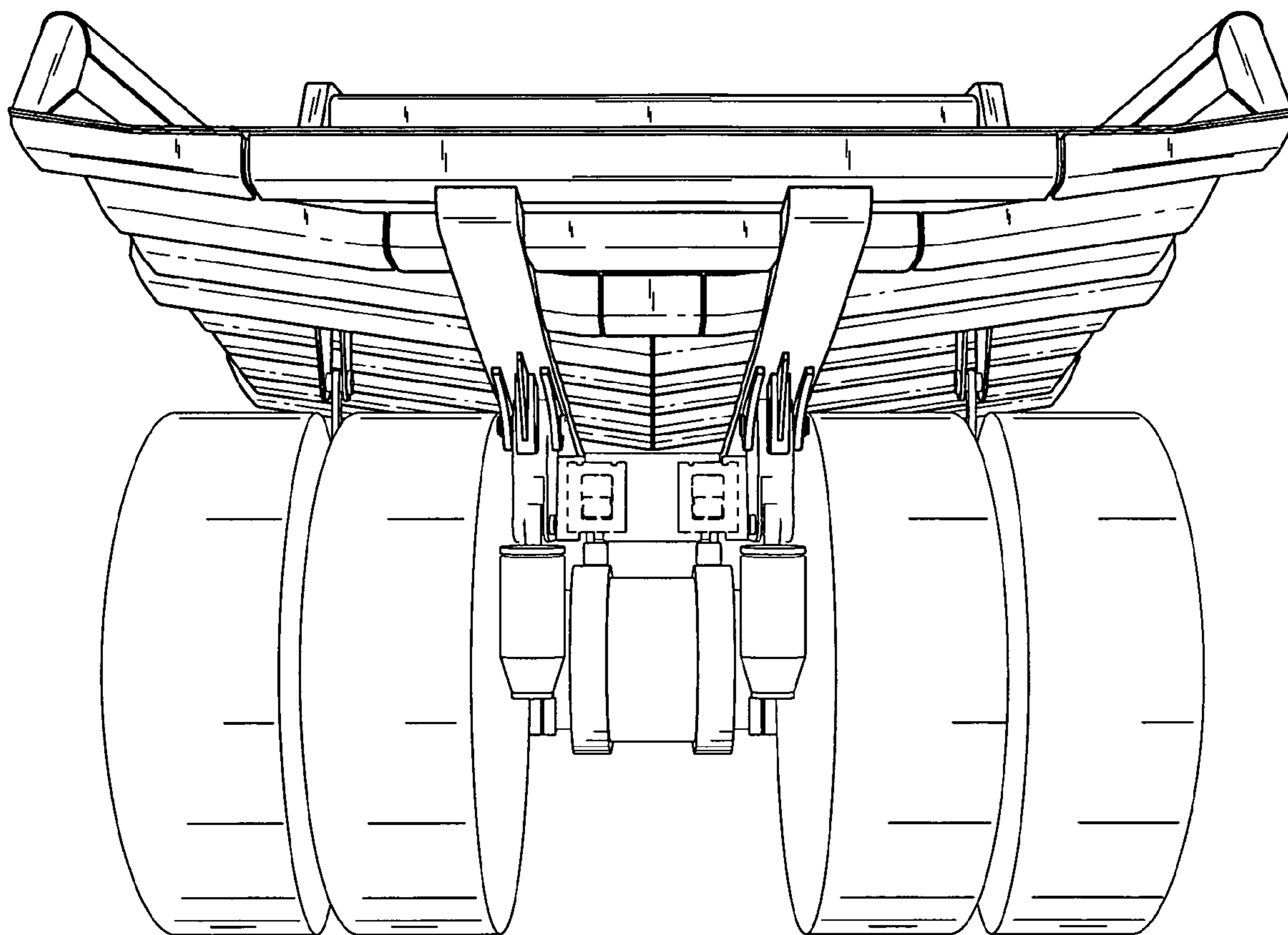
## OTHER PUBLICATIONS

New Rigid Dump Trucks, RD 29, RD 32, Astra, Italian/English, A3500679-05-2005 (2 pps.).

\* cited by examiner

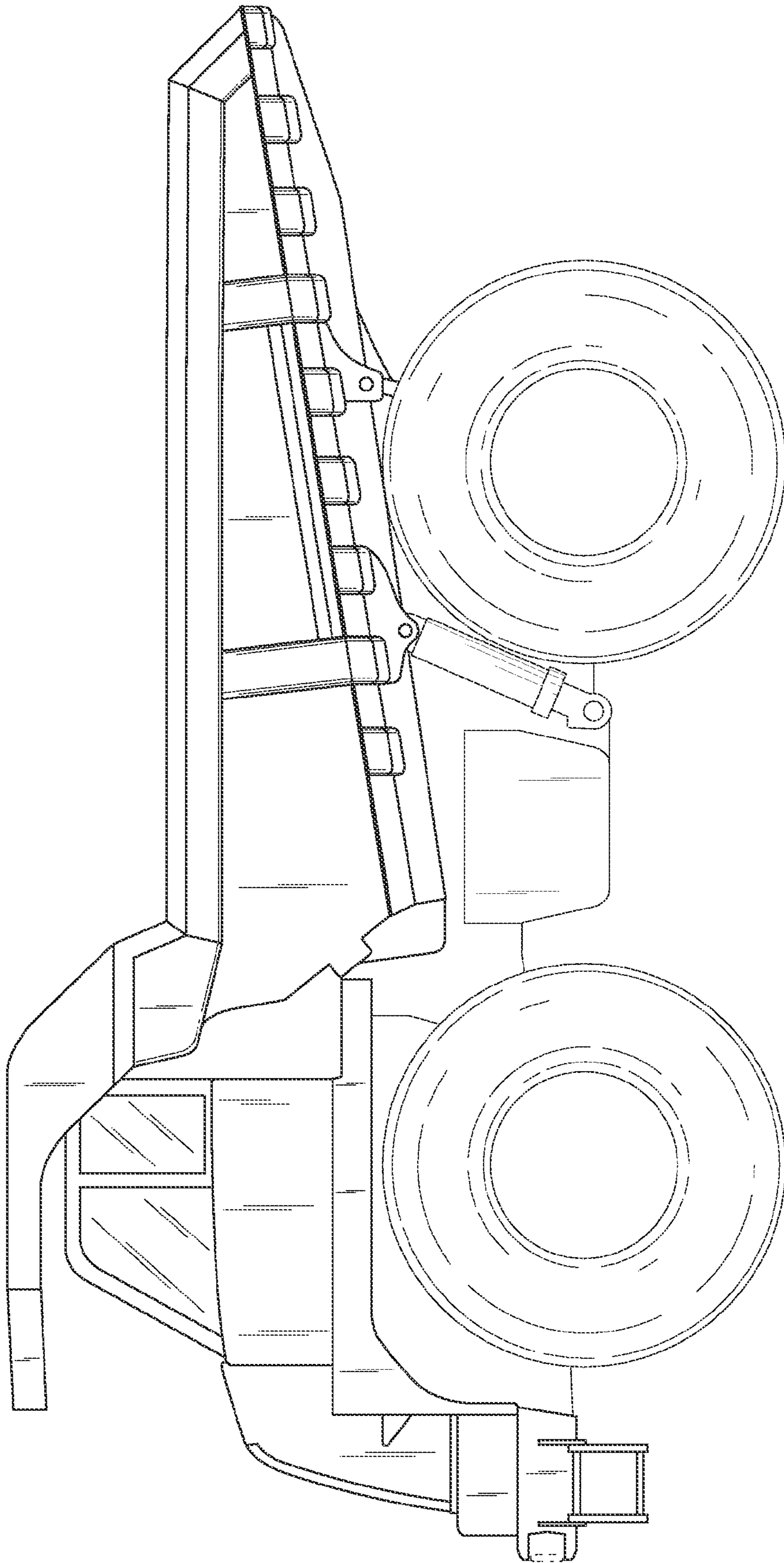


**FIG. 1**

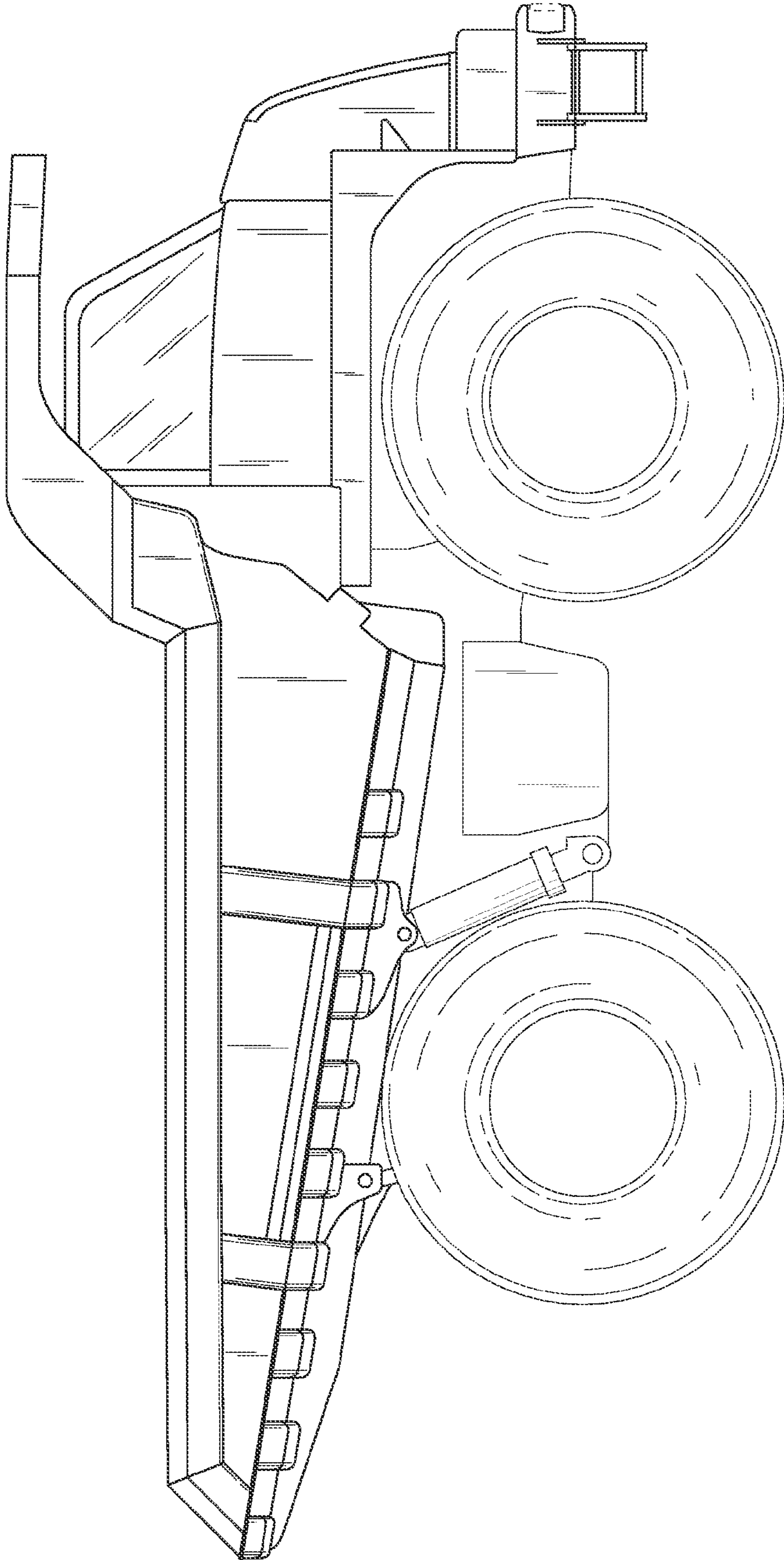


**FIG. 2**





**FIG. 3**



**FIG. 4**

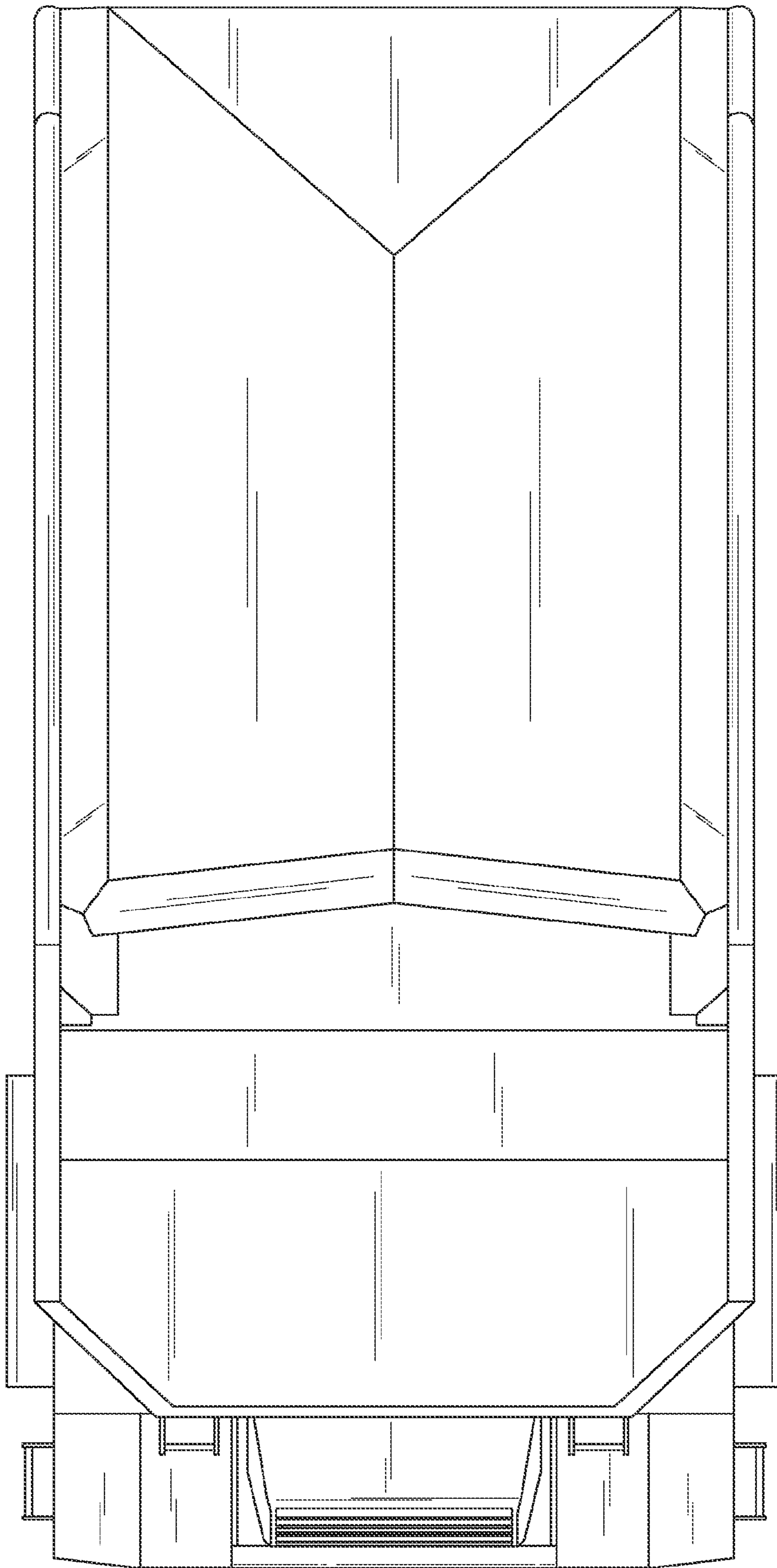
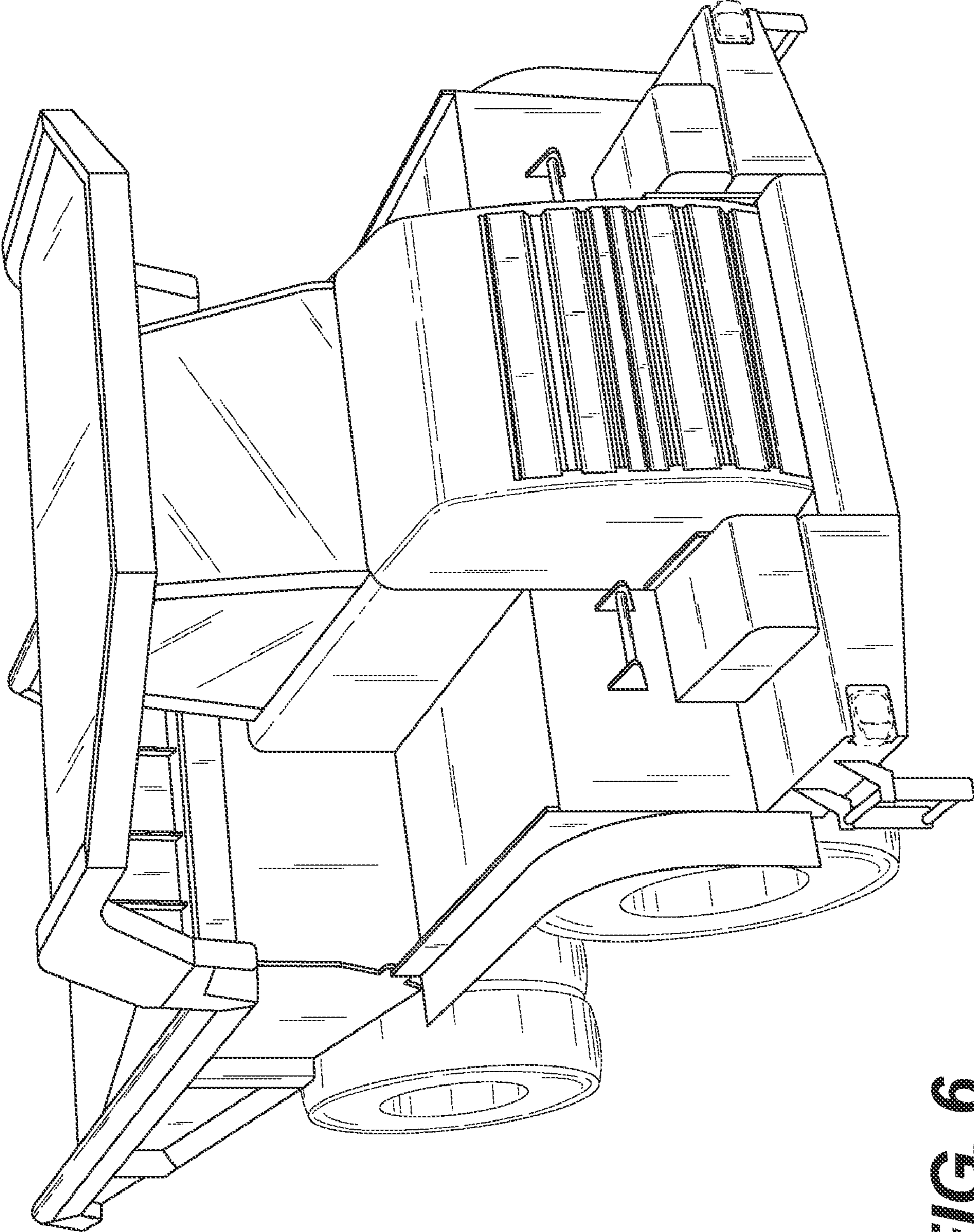


FIG. 5





**FIG. 6**



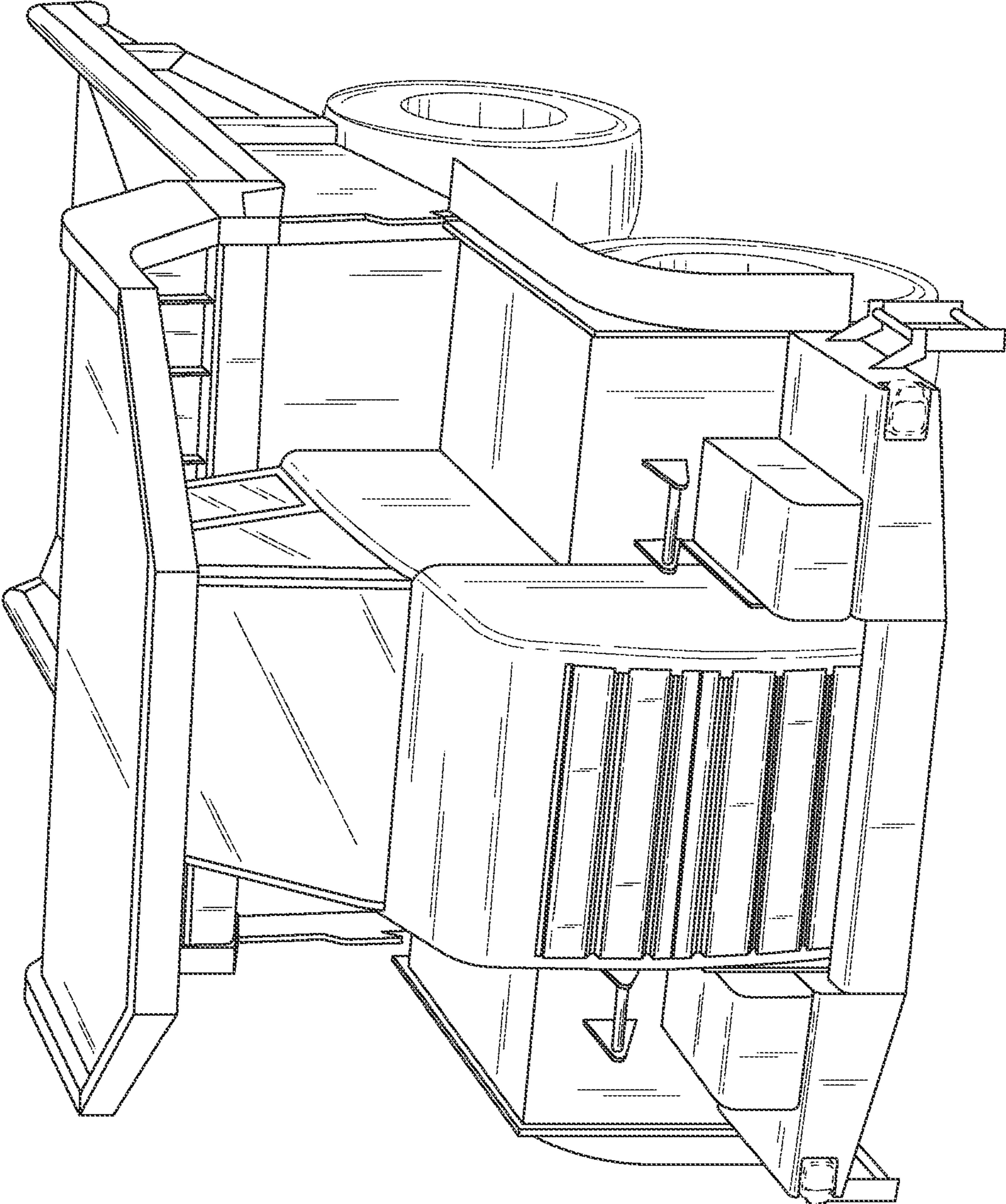


FIG. 7