



US00D596074S

(12) **United States Design Patent**
Bodum

(10) **Patent No.:** **US D596,074 S**

(45) **Date of Patent:** **** Jul. 14, 2009**

(54) **FLOWER POT WITH SAUCER**

(75) Inventor: **Jørgen Bodum**, Meggen (CH)

(73) Assignee: **Pi-Design AG**, Triengen (CH)

(**) Term: **14 Years**

(21) Appl. No.: **29/318,009**

(22) Filed: **May 12, 2008**

(30) **Foreign Application Priority Data**

Dec. 12, 2007 (CH) 134596

(51) **LOC (9) Cl.** **11-02**

(52) **U.S. Cl.** **D11/155**

(58) **Field of Classification Search** D6/403-405,
D6/556; D11/143-156; D19/77, 81, 84;
D25/100; D26/9, 16, 19; D34/1-11; D99/5,
D99/19; 47/32.7, 33, 39, 41.01, 41.1, 41.11-41.15,
47/44-47, 65.5, 65.9, 66.1, 66.2, 66.6, 66.7,
47/67-71

See application file for complete search history.

(56) **References Cited**

U.S. PATENT DOCUMENTS

D108,317 S * 2/1938 Buchalter D11/152
D138,755 S * 9/1944 Benton D34/1
3,104,498 A * 9/1963 Miller 47/65.7
D234,530 S * 3/1975 Waltzman D11/155
D236,018 S * 7/1975 Swift D11/155
D245,408 S * 8/1977 Baumann et al. D11/155
D252,869 S * 9/1979 Dziejewski D11/155
4,167,080 A * 9/1979 Mickelson 47/71
D268,256 S * 3/1983 Peterson D11/155
4,553,352 A * 11/1985 Powell et al. 47/71
D298,222 S * 10/1988 Hobson D11/152
5,501,038 A * 3/1996 Gregoranto 47/70
D436,887 S * 1/2001 Fan D11/152
6,339,899 B1 * 1/2002 Lehmann 47/65.5

D461,432 S * 8/2002 Carlson D11/153
D480,326 S * 10/2003 Carlson D11/155
D488,741 S * 4/2004 Moya D11/143
D489,501 S * 5/2004 Dretzka D34/1
D489,642 S * 5/2004 Brumlow D11/143
D532,949 S * 11/2006 Printemps D34/1
D552,319 S * 10/2007 Gusdorf D34/1
D553,437 S * 10/2007 Bodum D7/523
D564,939 S * 3/2008 Fan D11/152
2006/0032132 A1 2/2006 Liffers et al.

FOREIGN PATENT DOCUMENTS

CH 0192907 12/2007
DE 202 282 B 9/1982
DE 296 00 663 U1 4/1996

* cited by examiner

Primary Examiner—Caron Veynar

Assistant Examiner—Garth Rademaker

(74) *Attorney, Agent, or Firm*—Sughrue Mion, PLLC

(57) **CLAIM**

The ornamental design for a flower pot with saucer, as shown and described.

DESCRIPTION

FIG. 1 is a perspective view of a flower pot with saucer, shown in an assembled condition;

FIG. 2 is a right side elevation thereof, shown with the pot and saucer portions separated.

FIG. 3 is a right side elevation view thereof, shown in an assembled condition;

FIG. 4 is a bottom plan view thereof; and,

FIG. 5 is a top plan view thereof.

The broken lines depict environmental subject matter only and form no part of the claimed design.

1 Claim, 5 Drawing Sheets

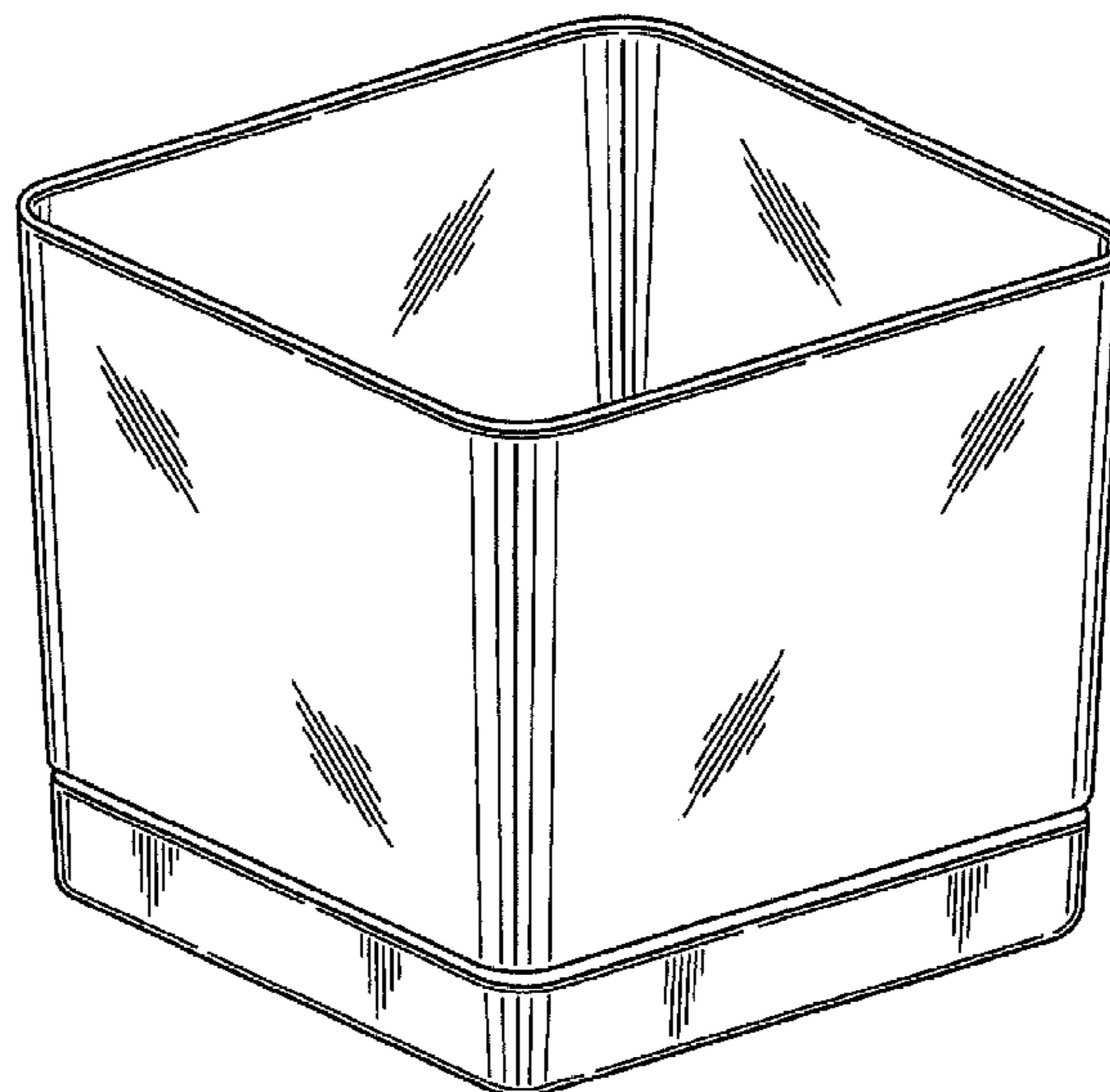


Fig. 1

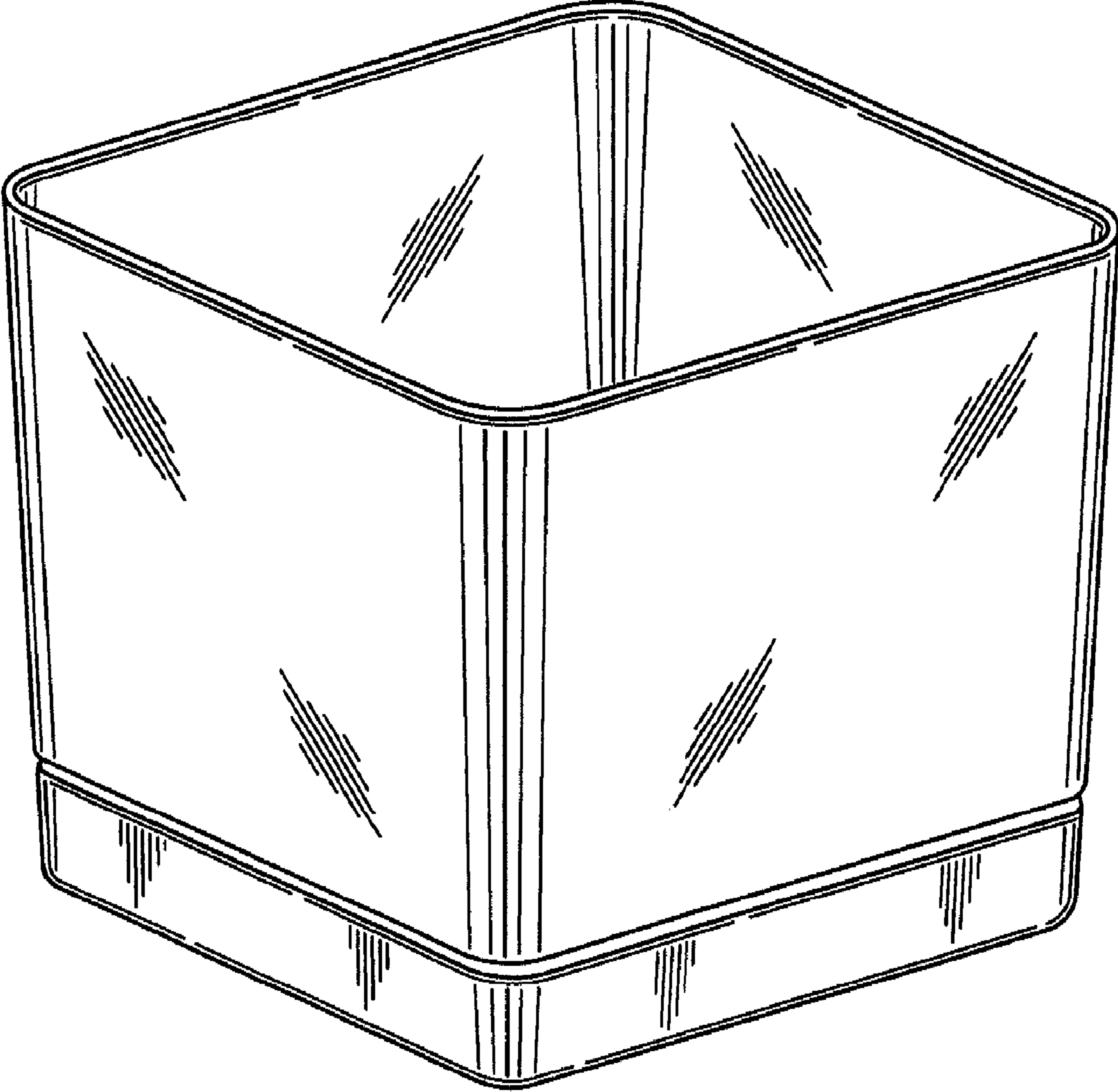


Fig. 2

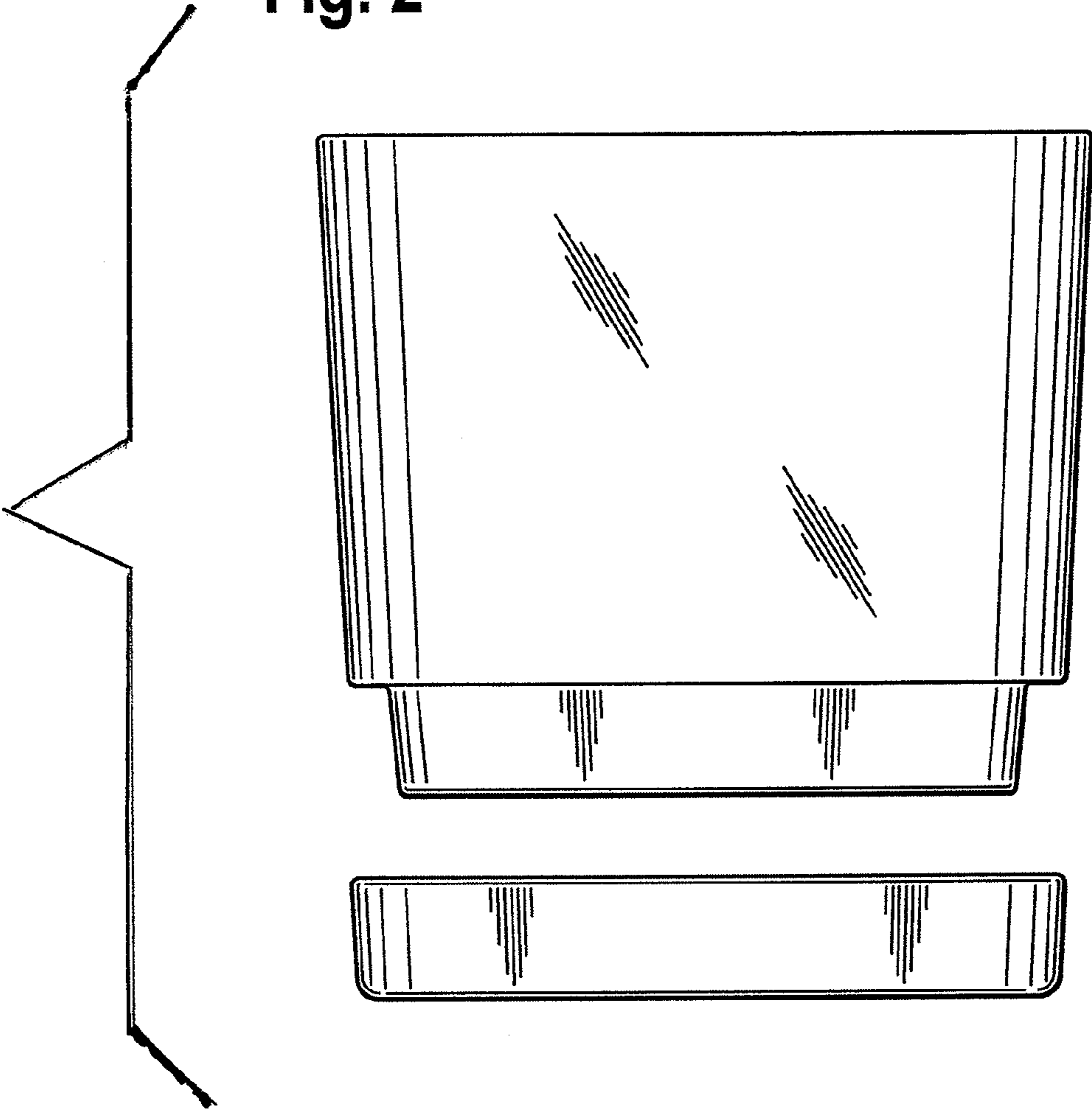


Fig. 3

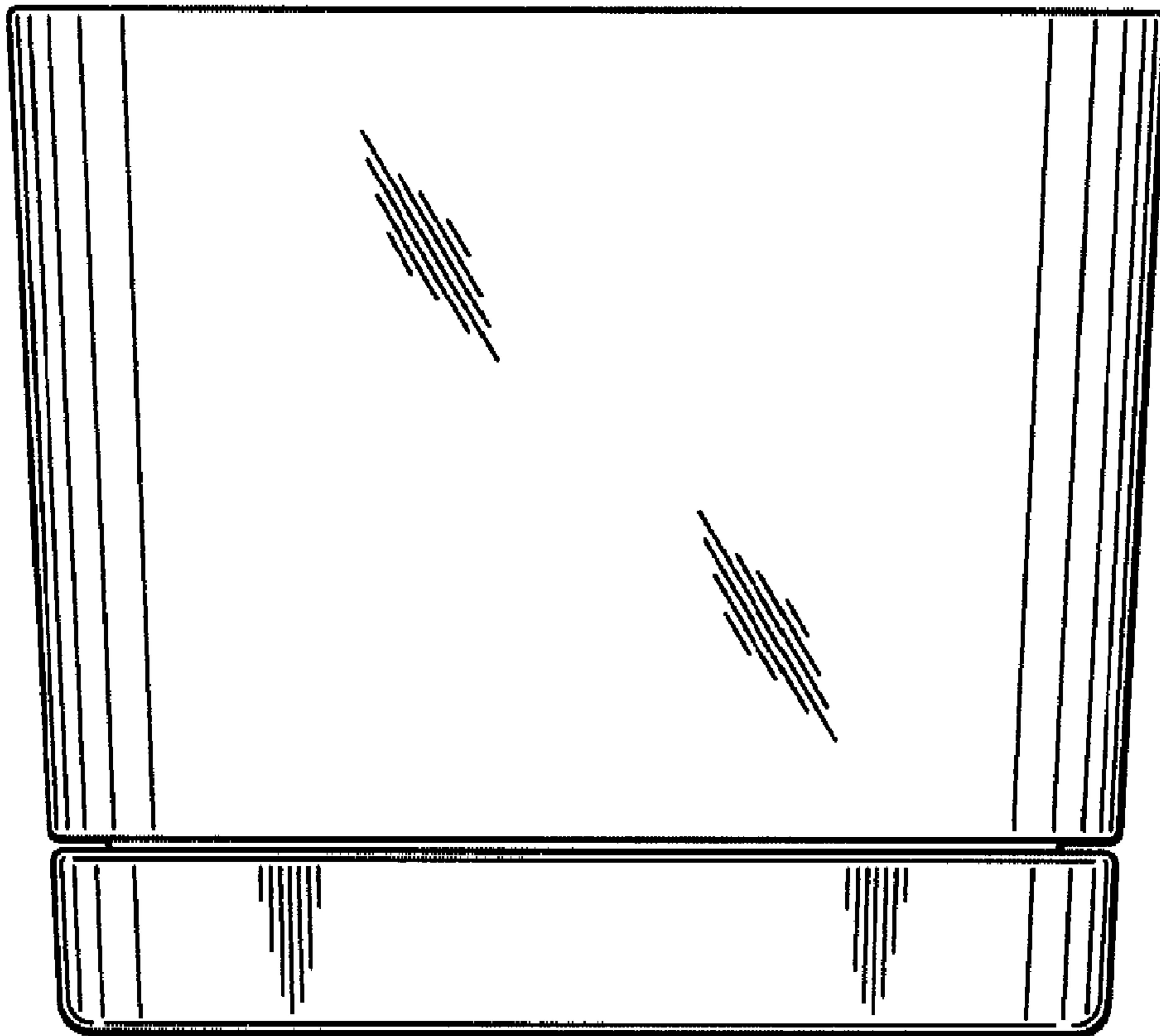


Fig. 4

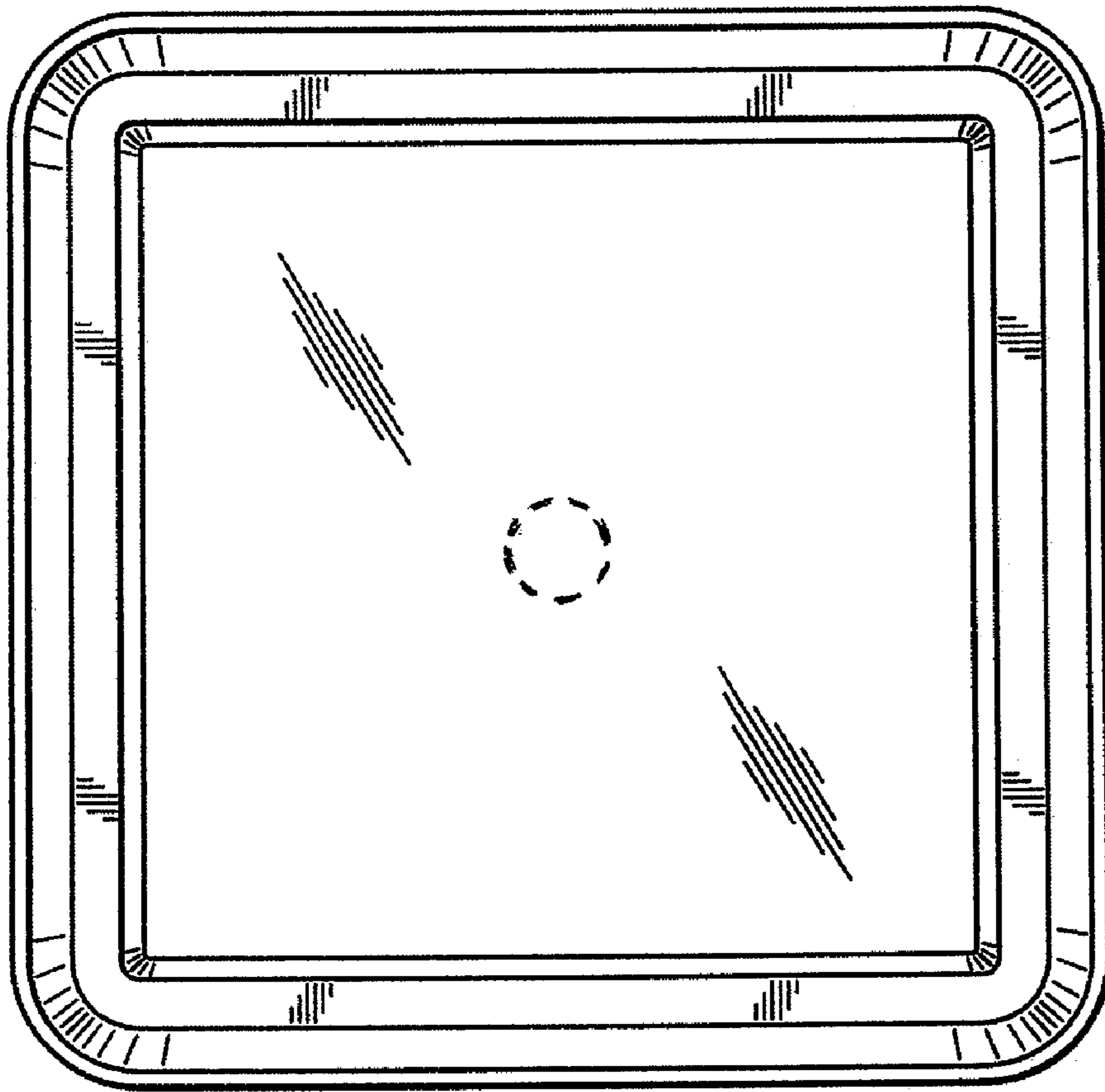


Fig. 5

