



US00D596070S

(12) **United States Design Patent**  
**Peled et al.**

(10) **Patent No.:** **US D596,070 S**  
(45) **Date of Patent:** **\*\* Jul. 14, 2009**

(54) **PRECIOUS STONE**

(75) Inventors: **Shraga Peled**, Ramat Gan (IL); **Efraim Aloof**, Netanya (IL)

(73) Assignee: **Peled Diamonds, Ltd.**, Ramat Gan (IL)

(\*\*) Term: **14 Years**

(21) Appl. No.: **29/320,378**

(22) Filed: **Jun. 25, 2008**

**Related U.S. Application Data**

(62) Division of application No. 29/277,435, filed on Feb. 26, 2007, now Pat. No. Des. 574,288.

(30) **Foreign Application Priority Data**

Aug. 31, 2006 (CH) ..... 133201

(51) **LOC (9) Cl.** ..... **11-01**

(52) **U.S. Cl.** ..... **D11/90**

(58) **Field of Classification Search** ..... D11/1-2,  
D11/26-29, 89-92; 63/26-28, 32

See application file for complete search history.

(56) **References Cited**

**U.S. PATENT DOCUMENTS**

D262,200 S \* 12/1981 Kirwan ..... D11/90  
D276,143 S \* 10/1984 Williams ..... D11/121  
D372,883 S \* 8/1996 Adler ..... D11/89

D373,971 S \* 9/1996 Katz ..... D11/90  
D384,593 S \* 10/1997 Katz ..... D11/90  
D392,590 S \* 3/1998 Bachar ..... D11/90  
D402,913 S \* 12/1998 Katz ..... D11/90  
D462,634 S \* 9/2002 Cohen ..... D11/90  
D465,431 S \* 11/2002 Kanner ..... D11/90  
D484,824 S \* 1/2004 Namdar ..... D11/90  
D501,423 S \* 2/2005 Tolkowsky ..... D11/90

\* cited by examiner

*Primary Examiner*—R. Seifert

(74) *Attorney, Agent, or Firm*—Fennemore Craig, P.C.

(57) **CLAIM**

The ornamental design for a precious stone, as shown and described.

**DESCRIPTION**

FIG. 1 is an illustrative top plan view of a precious stone showing our new design, a bottom plan view also shown looking through the transparent precious stone;

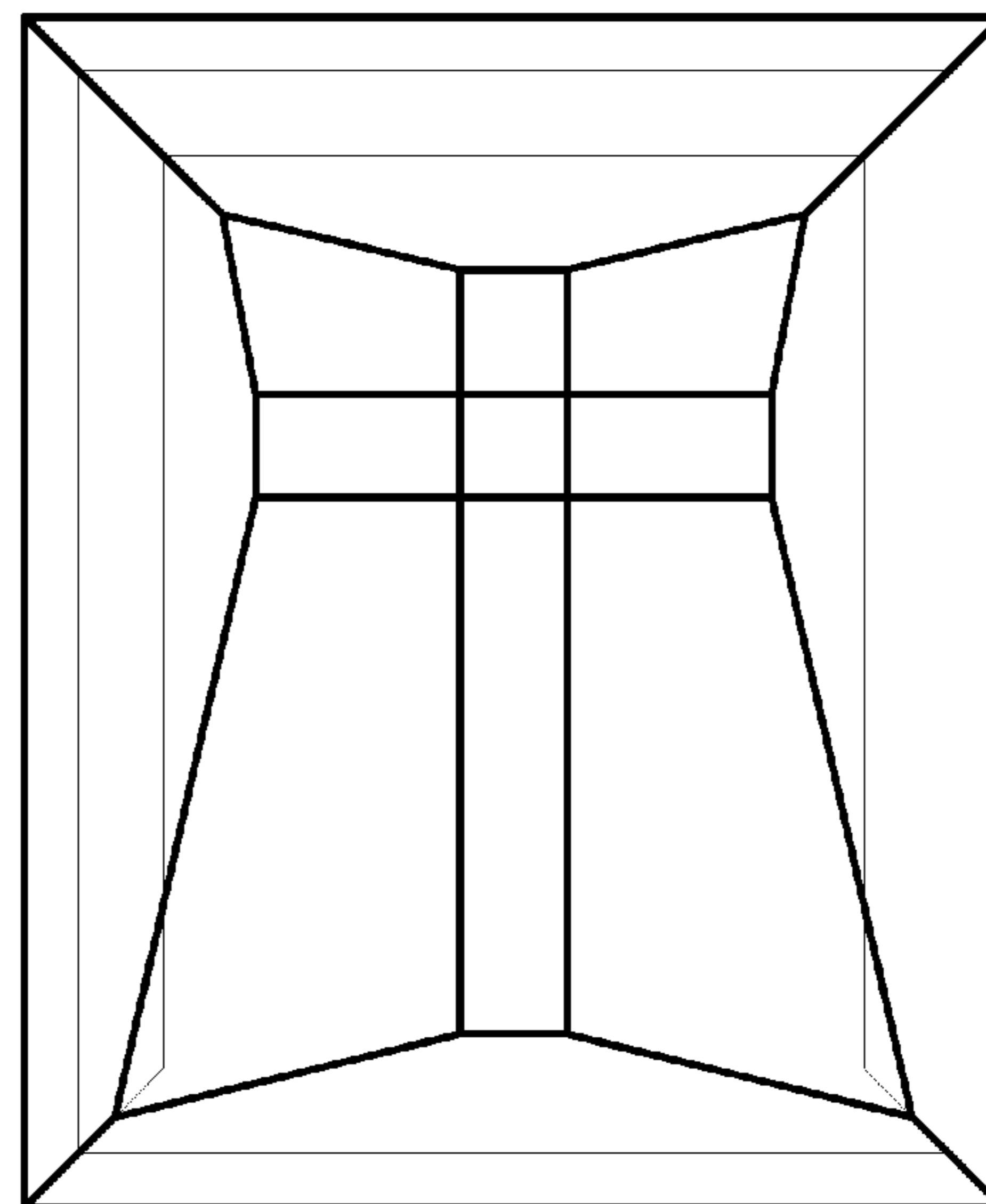
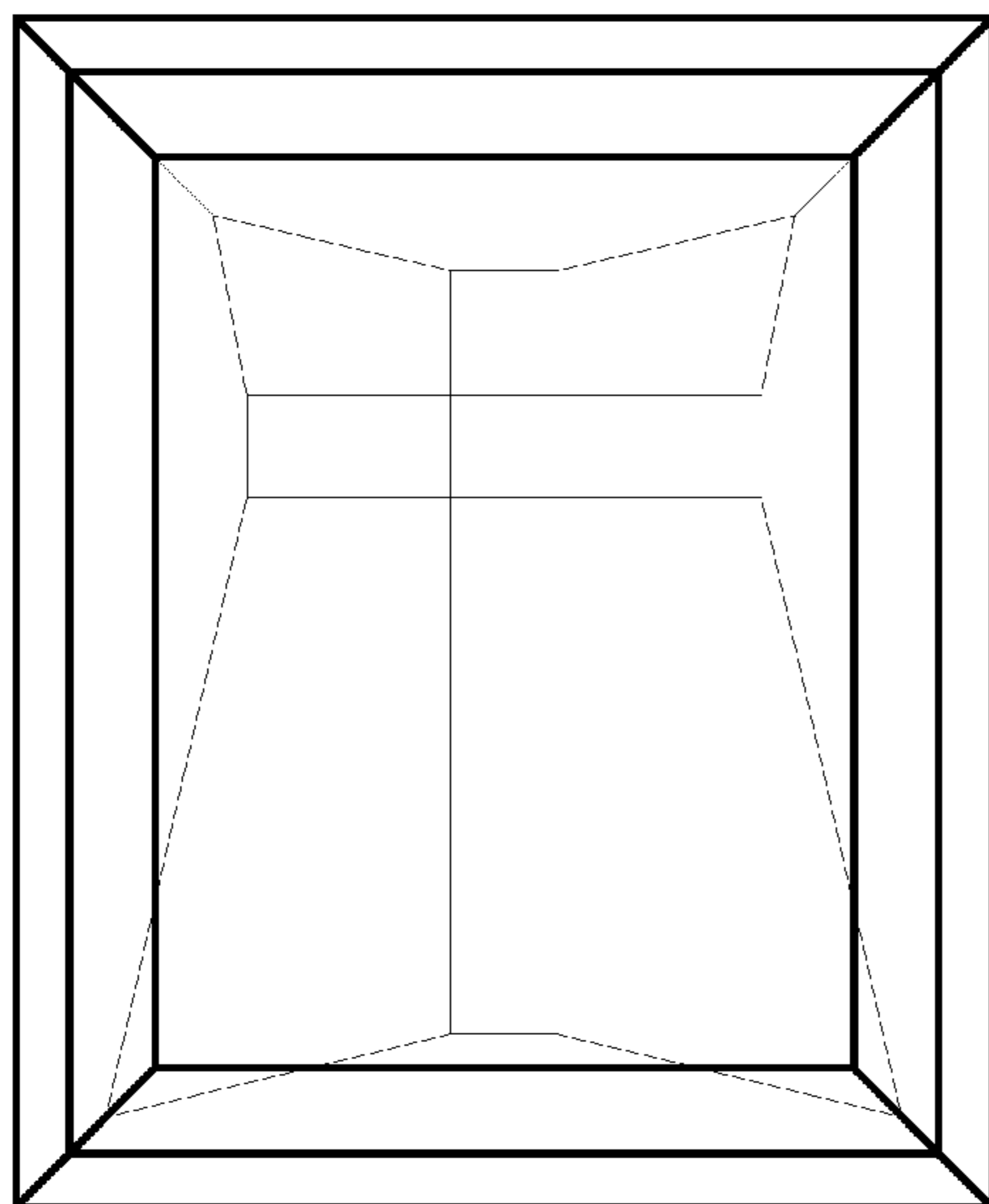
FIG. 2 is an illustrative bottom plan view, a top view also shown looking through the transparent precious stone;

FIGS. 3 and 4 are a front and rear elevational view thereof;

FIG. 5 is a side elevational view thereof; and,

FIG. 6 is a bottom perspective view thereof, also showing a top perspective view looking through the transparent precious stone.

**1 Claim, 3 Drawing Sheets**



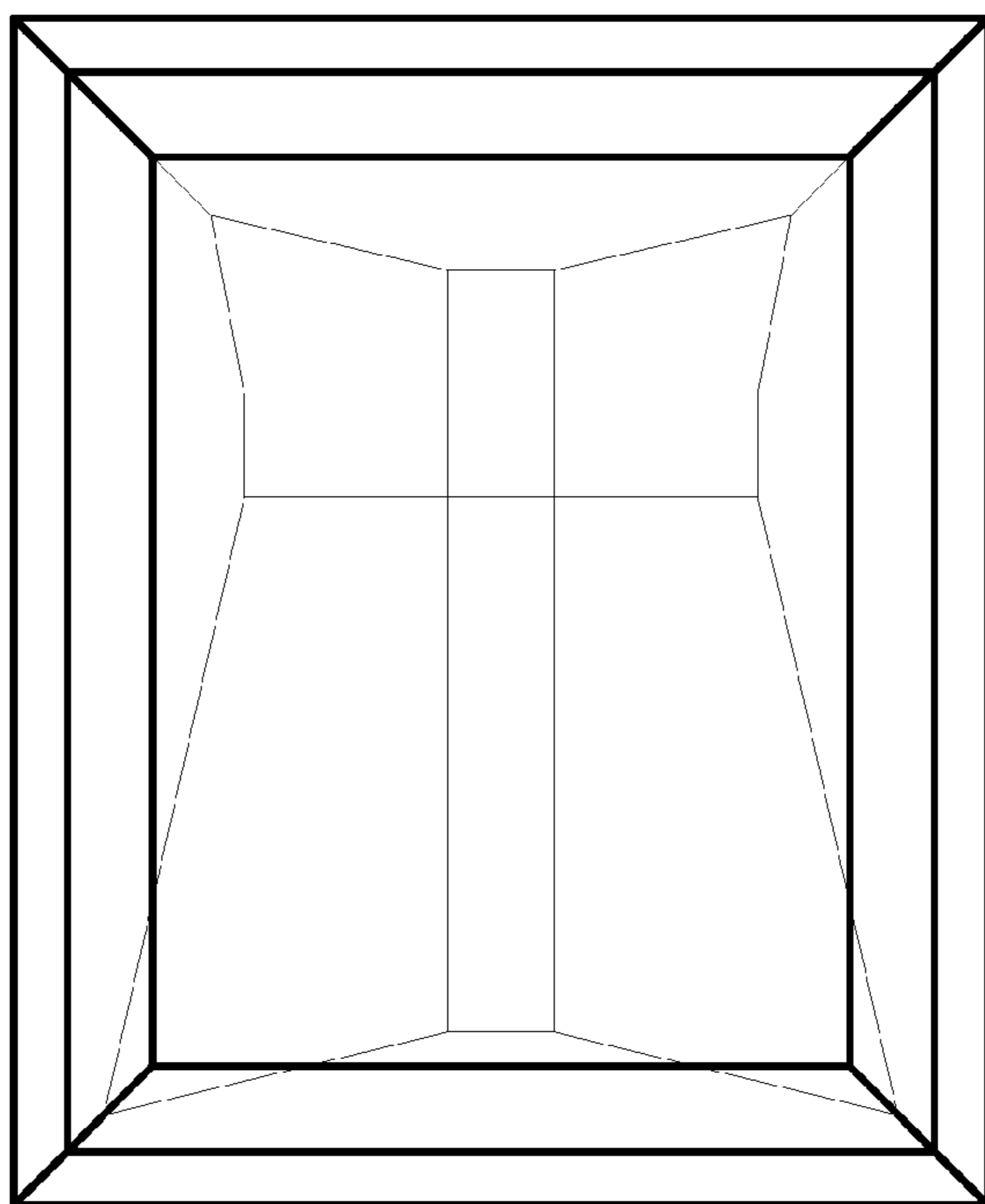


FIG. 1

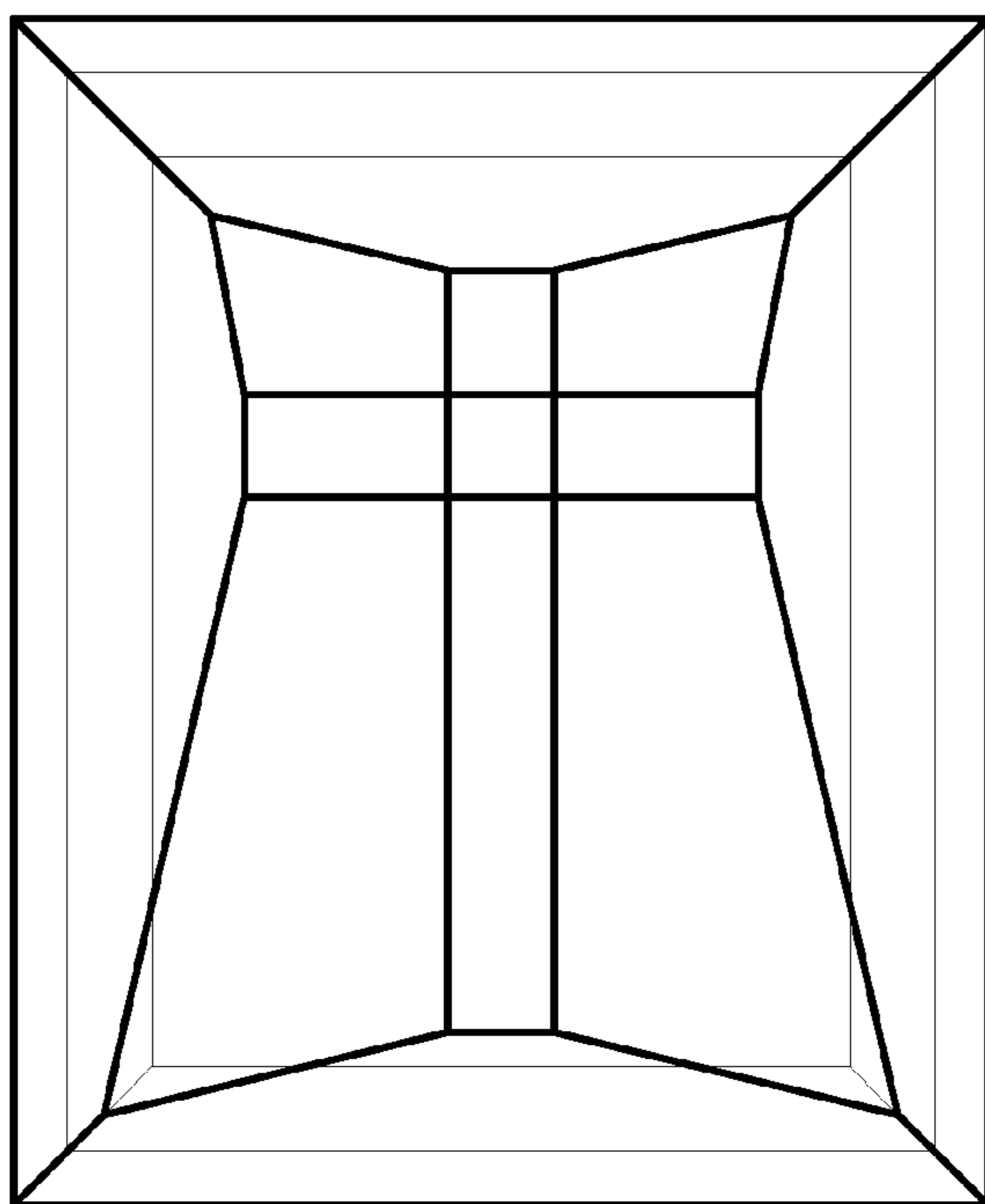


FIG. 2

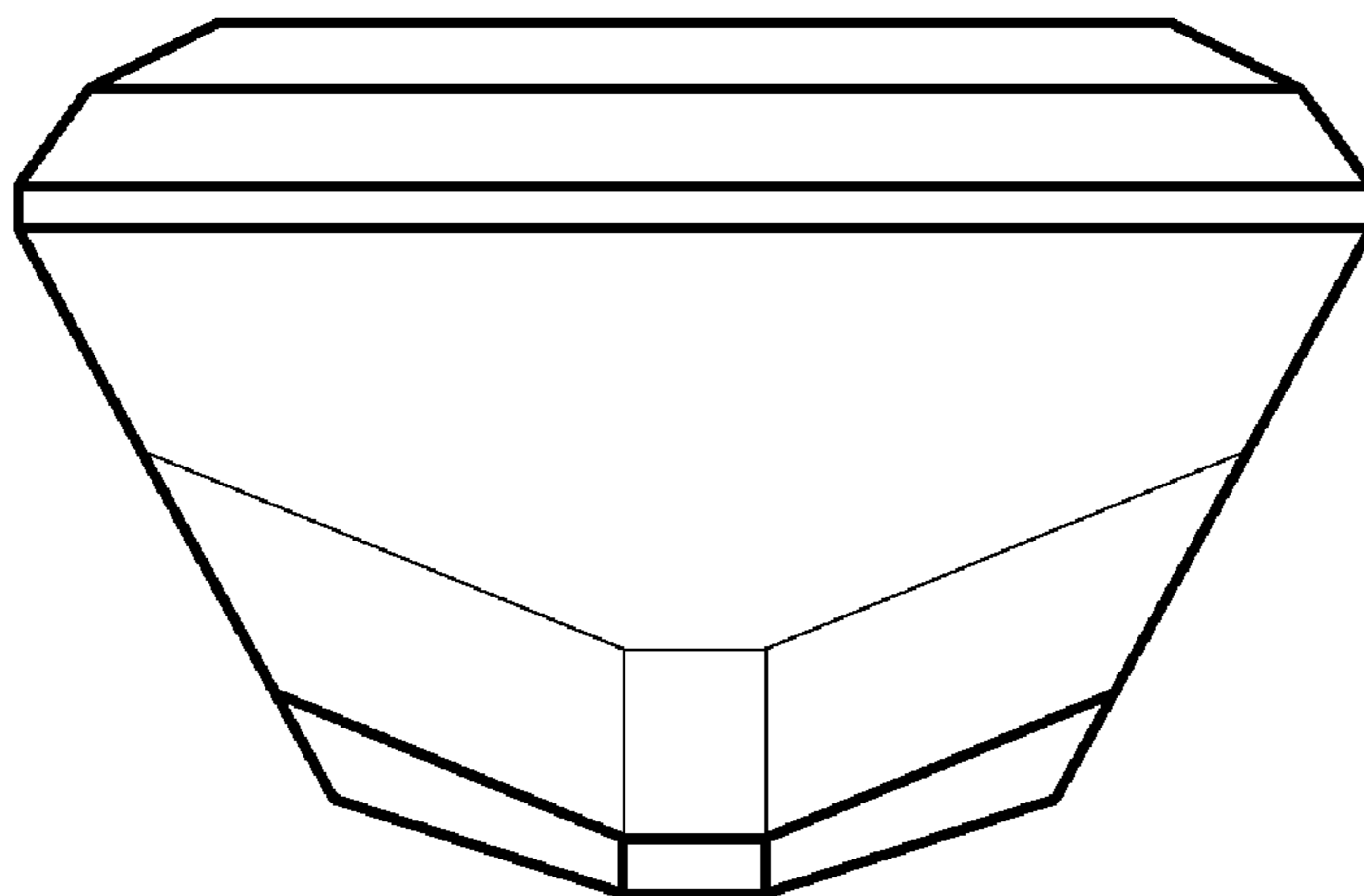


FIG. 3

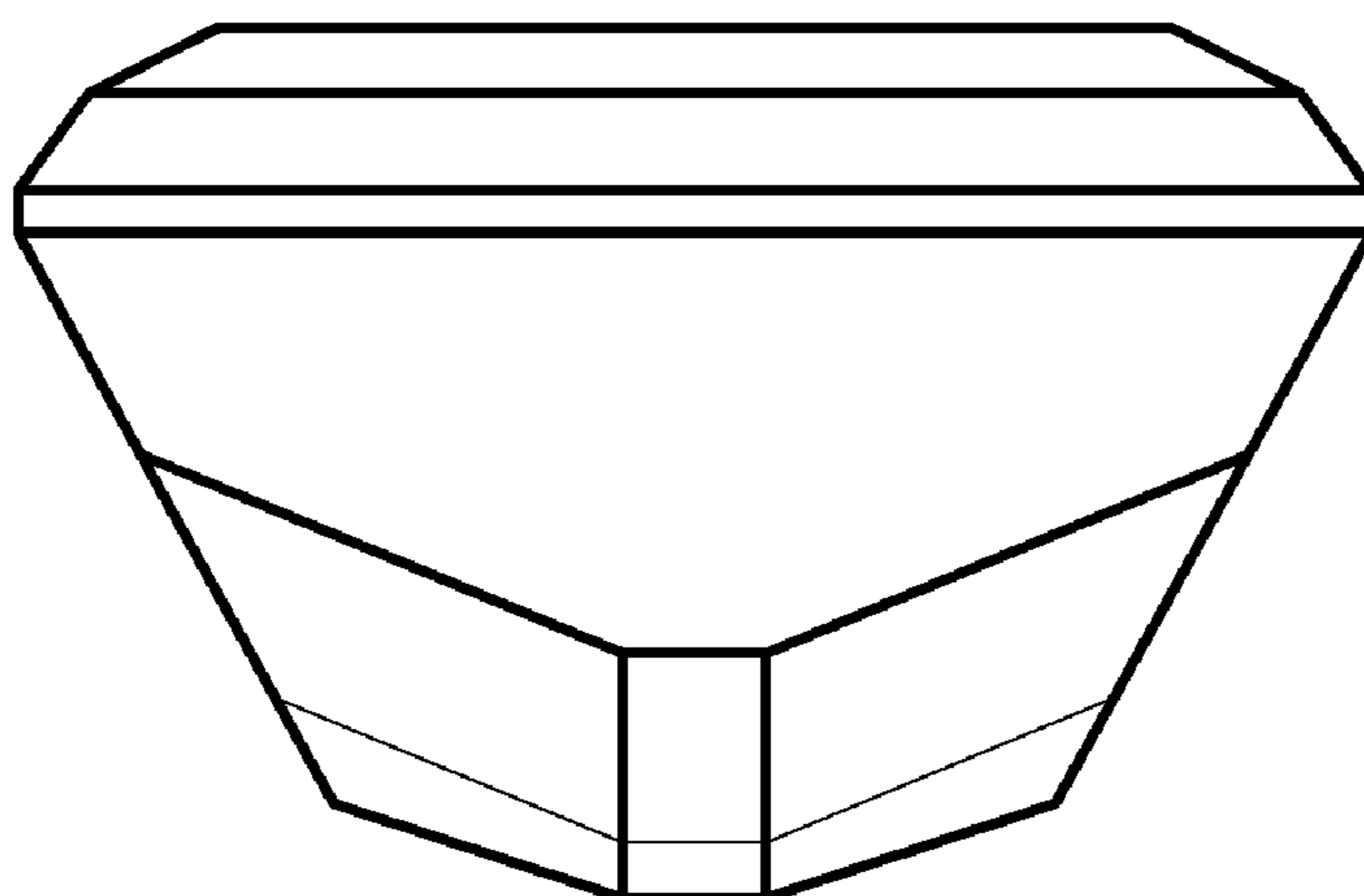


FIG. 4

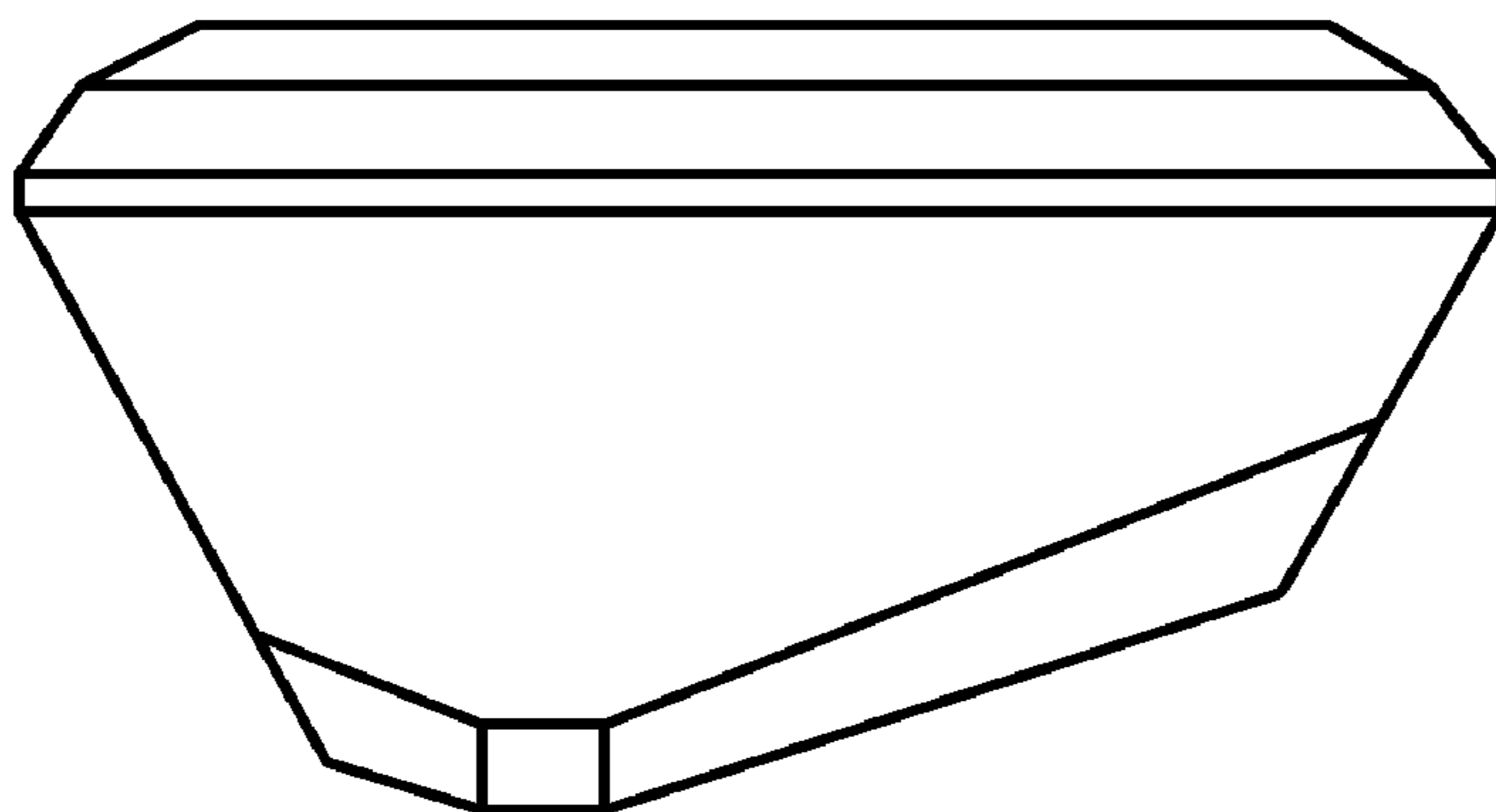


FIG. 5

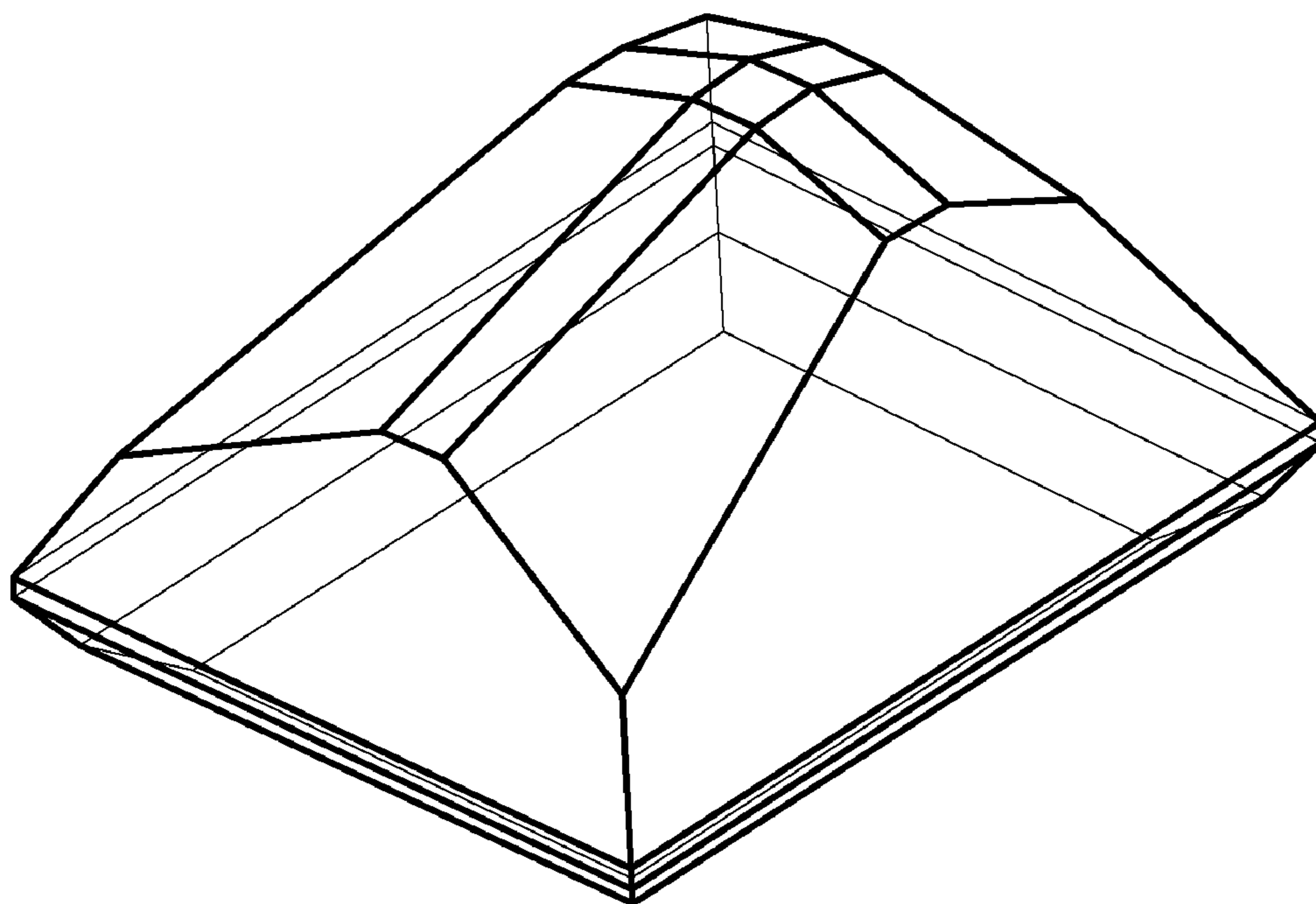


FIG. 6