

US00D596066S

(12) **United States Design Patent**
Hardy

(10) **Patent No.:** **US D596,066 S**
(45) **Date of Patent:** **** Jul. 14, 2009**

(54) **BRACELET**

D567,700 S * 4/2008 Bulgari D11/26

(75) Inventor: **Pierre Hardy**, Paris (FR)

* cited by examiner

(73) Assignee: **Hermes Sellier (Societe Par Actions Simpliffee)**, Paris (FR)

Primary Examiner—Cathron C Brooks
Assistant Examiner—Melanie Levy
(74) *Attorney, Agent, or Firm*—Foley & Lardner LLP

(**) Term: **14 Years**

(21) Appl. No.: **29/325,000**

(22) Filed: **Sep. 24, 2008**

(30) **Foreign Application Priority Data**

Mar. 25, 2008 (WO) DM/069 970

(51) **LOC (9) Cl.** **11-01**

(52) **U.S. Cl.** **D11/7; D11/26**

(58) **Field of Classification Search** D11/1-39;
63/3, 4.1, 4.2, 5, 15, 15.1-15.4, 15.45, 15.5,
63/15.6, 26-28

See application file for complete search history.

(56) **References Cited**

U.S. PATENT DOCUMENTS

635,510 A * 10/1899 Saunders 63/15
D108,250 S * 2/1938 Sternberg D11/26
2,292,563 A * 8/1942 Imhoff 70/458
D136,138 S * 8/1943 Blumstein D11/37
D277,171 S * 1/1985 Bulgari D11/3

(57) **CLAIM**

The ornamental design for a bracelet, as shown and described.

DESCRIPTION

FIG. 1 is a front view of a bracelet according to my new design;

FIG. 2 is a back view of the bracelet shown in FIG. 1;

FIG. 3 is a right side view of the bracelet shown in FIG. 1;

FIG. 4 is a left side view of the bracelet shown in FIG. 1;

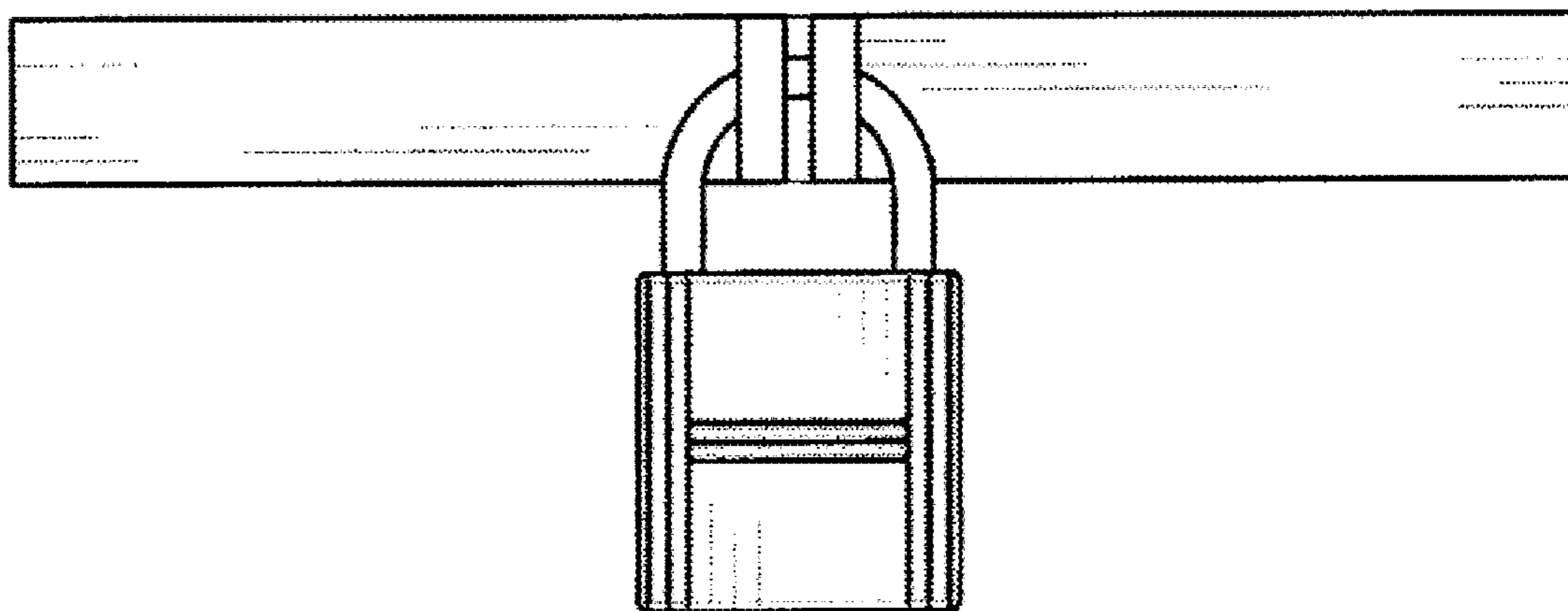
FIG. 5 is a top view of the bracelet shown in FIG. 1;

FIG. 6 is a bottom view of the bracelet shown in FIG. 1; and,

FIG. 7 is a top frontal perspective view of the bracelet shown in FIG. 1.

The ornamental design which is claimed is shown in solid lines in the drawings. Any broken lines in the drawings are for illustrative purposes only and form no part of the claimed design.

1 Claim, 7 Drawing Sheets



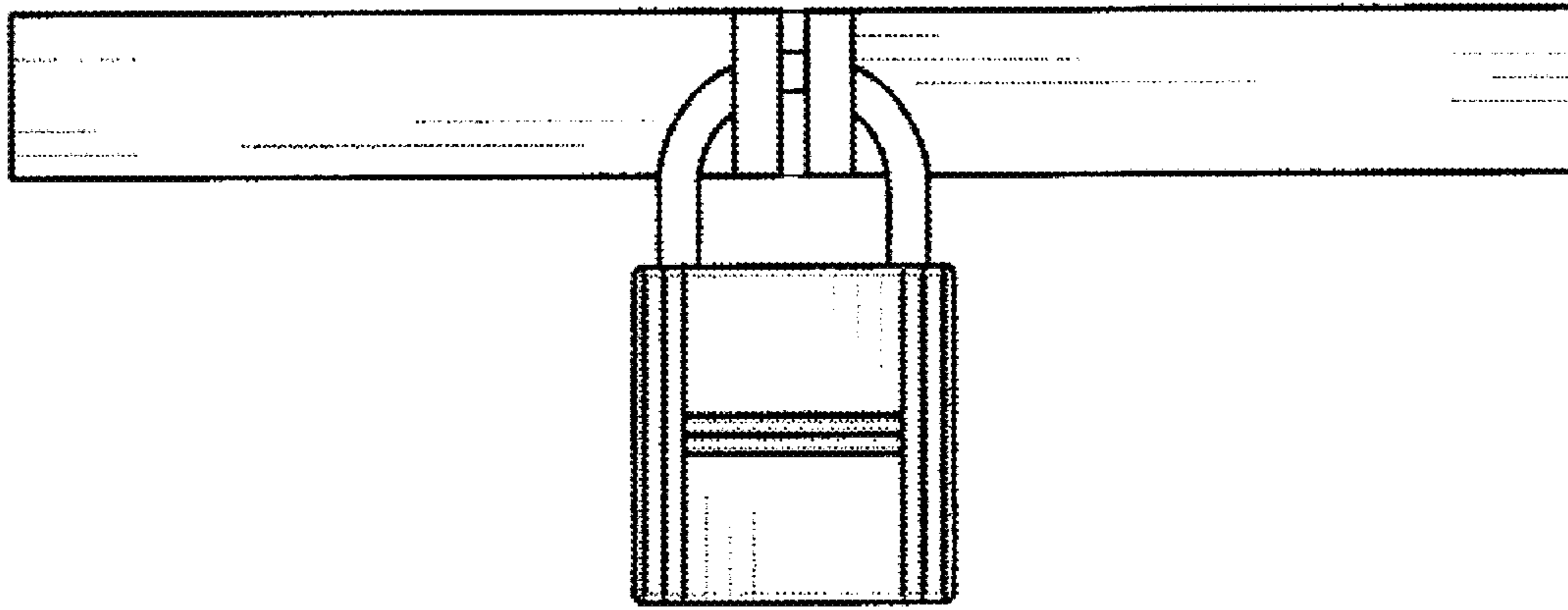


Fig. 1

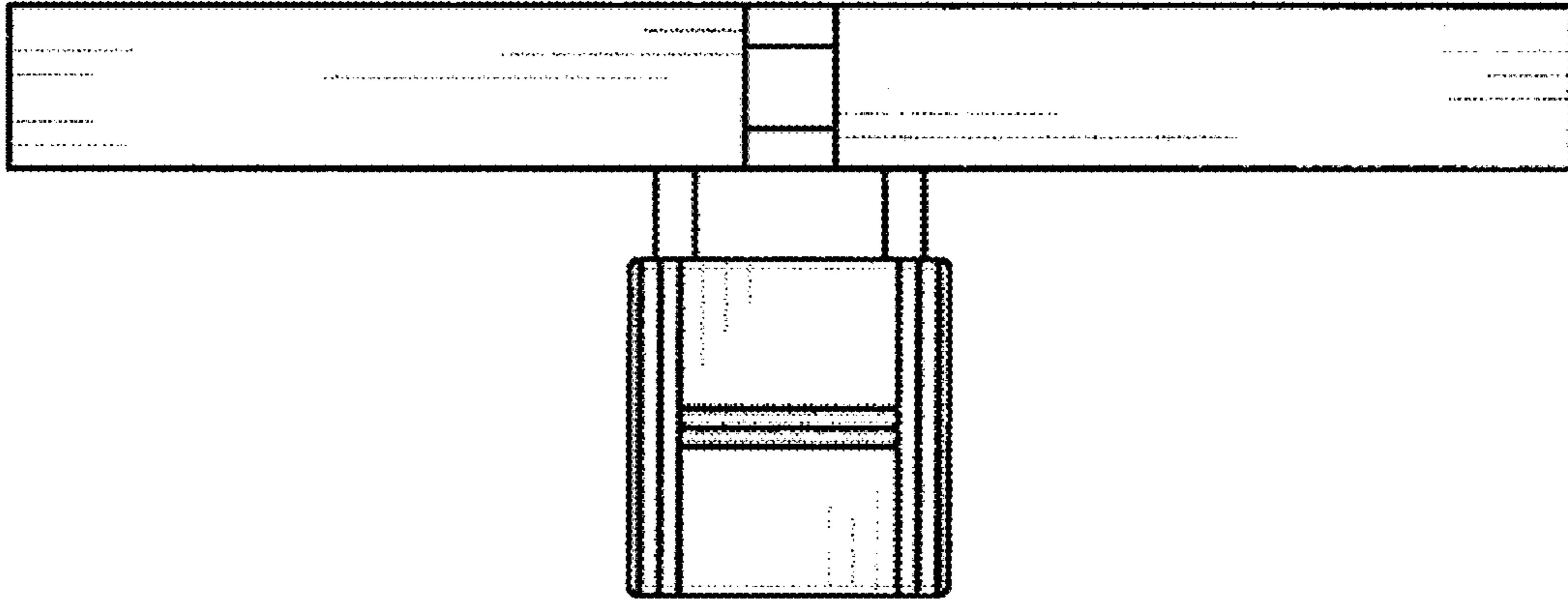


Fig. 2

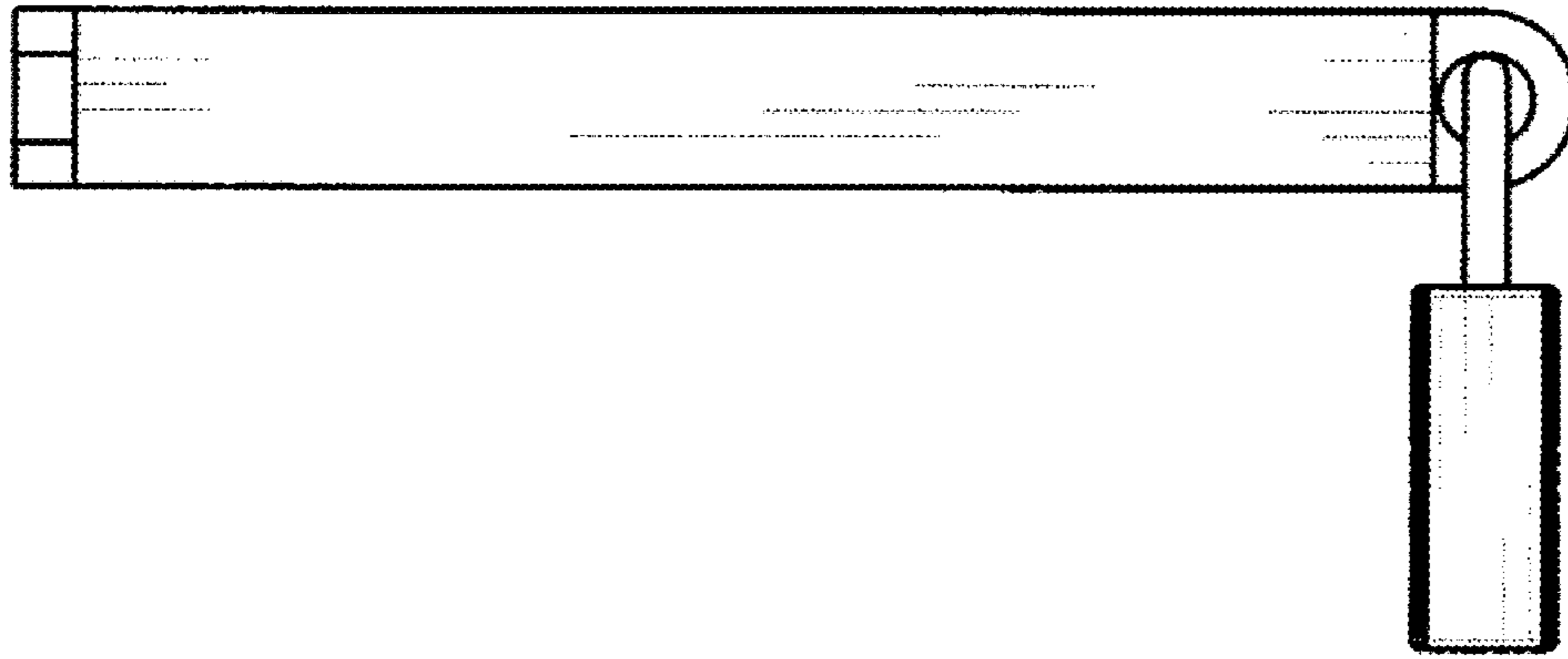


Fig. 3

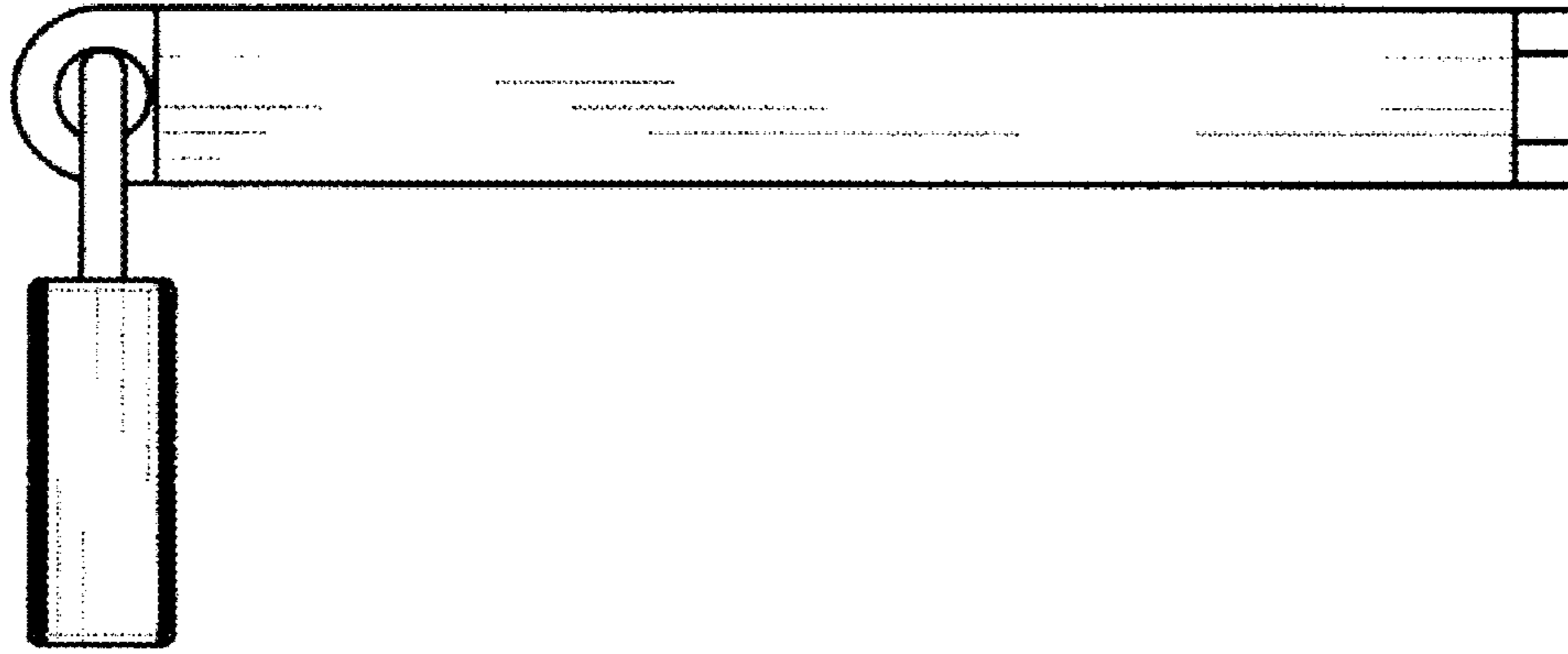


Fig. 4

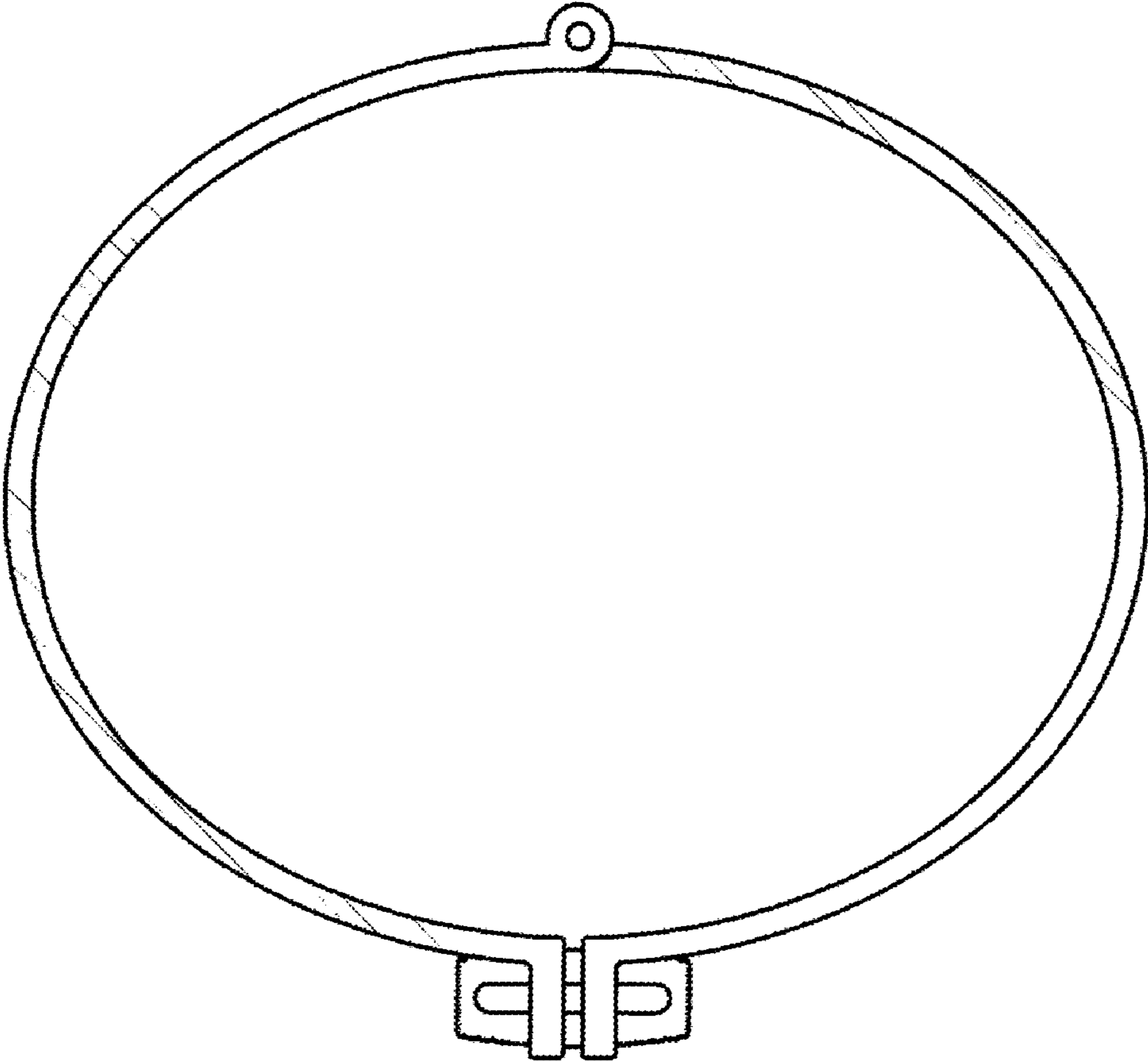


Fig. 5

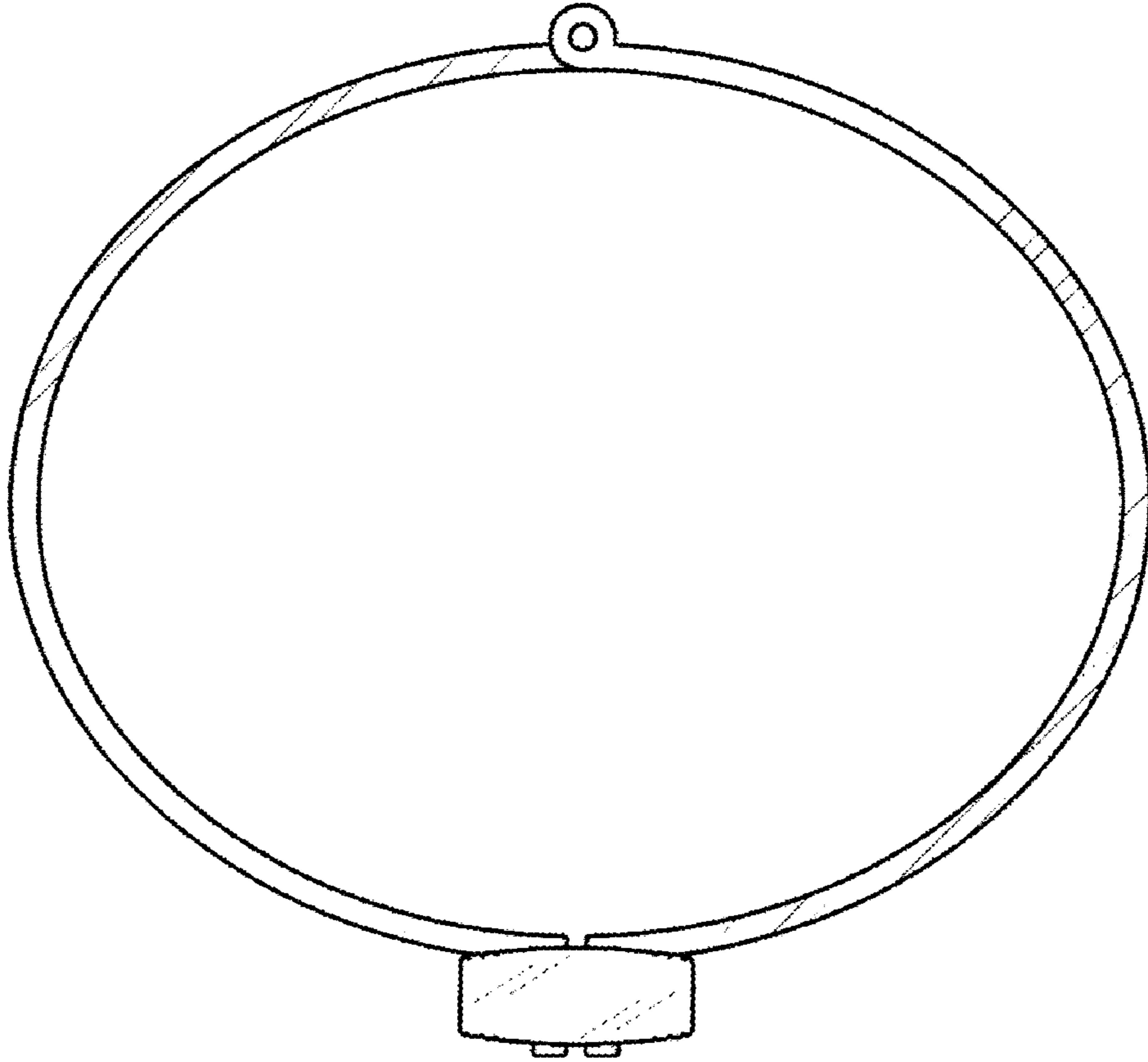


Fig. 6

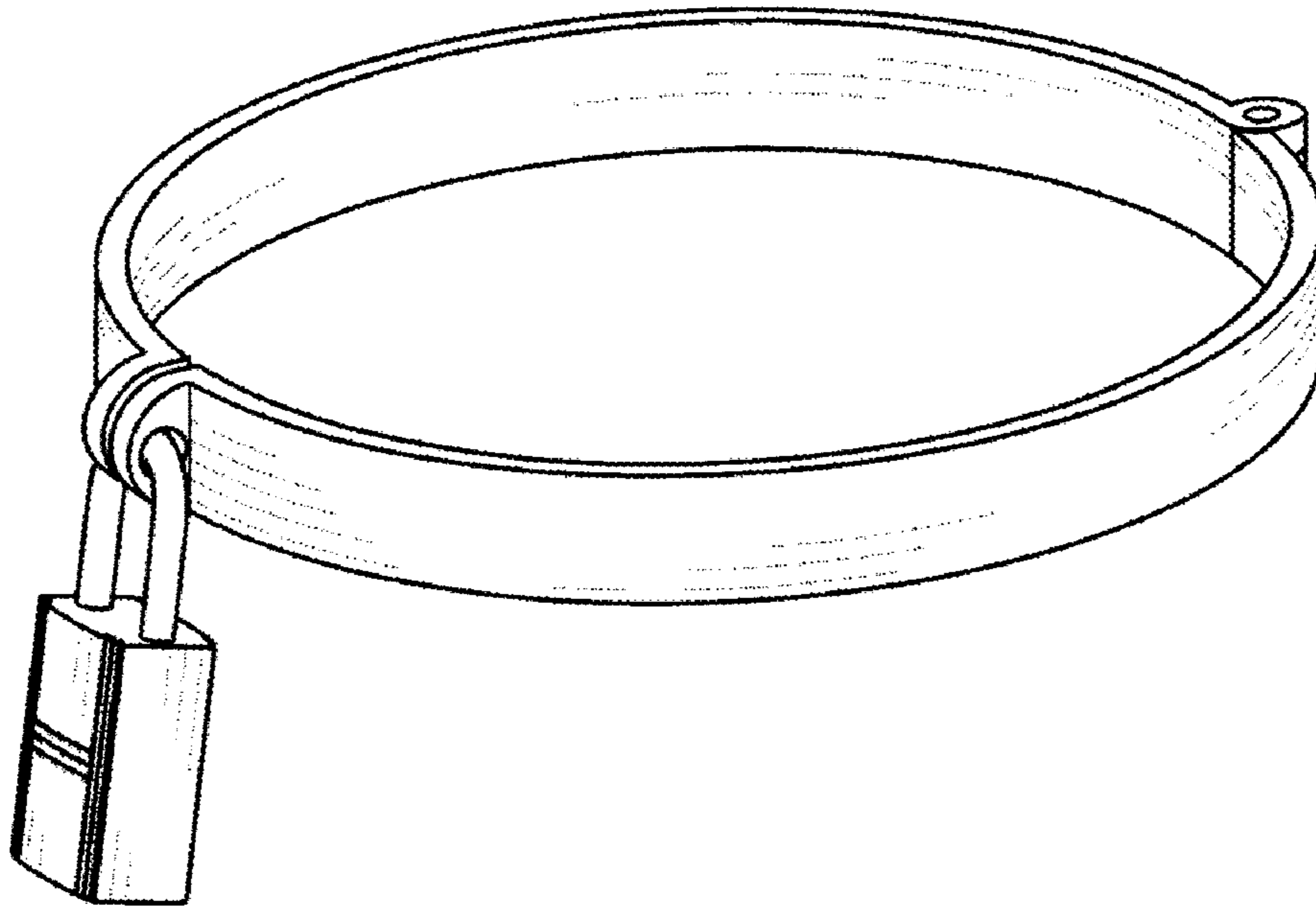


Fig. 7